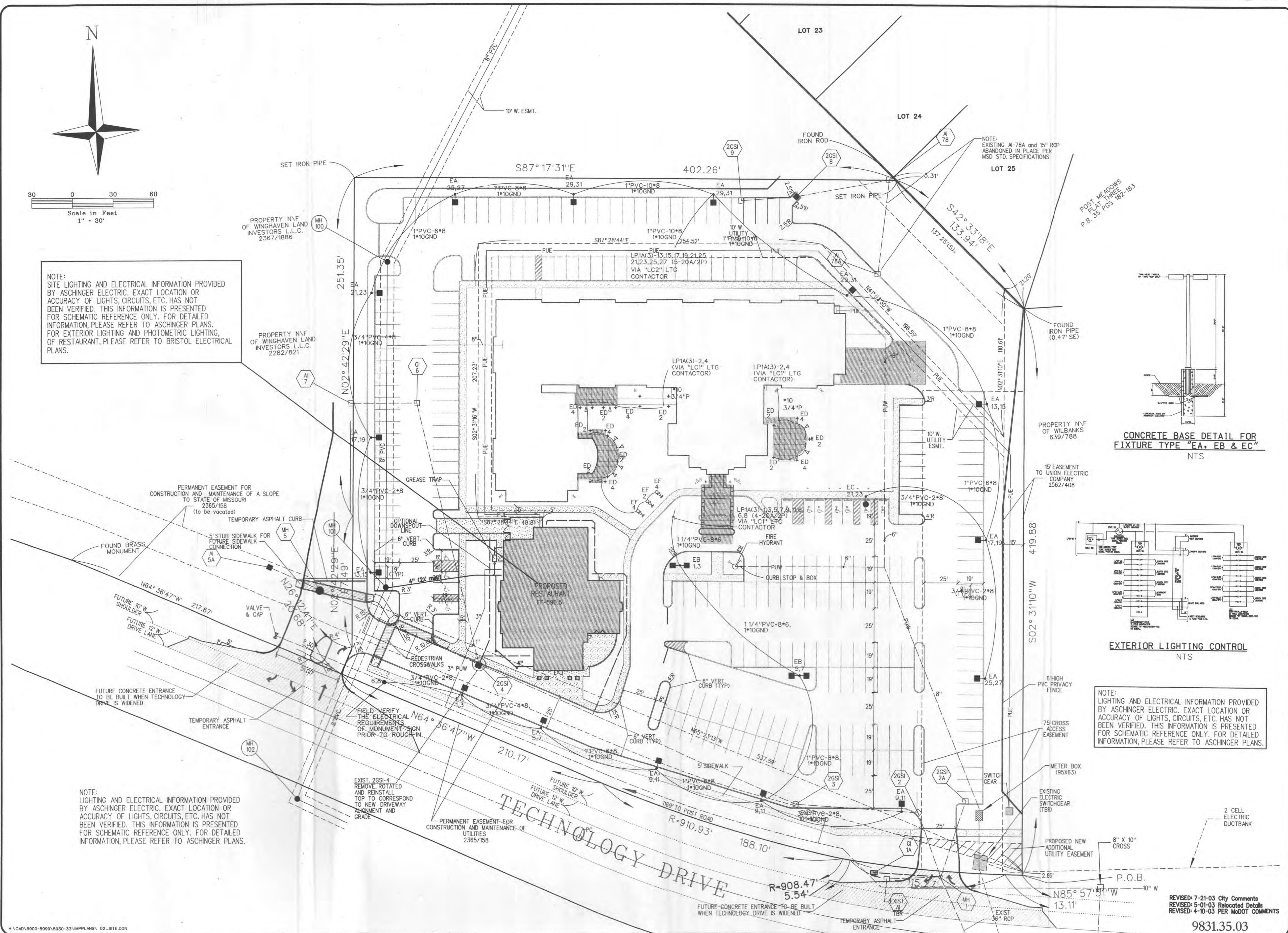


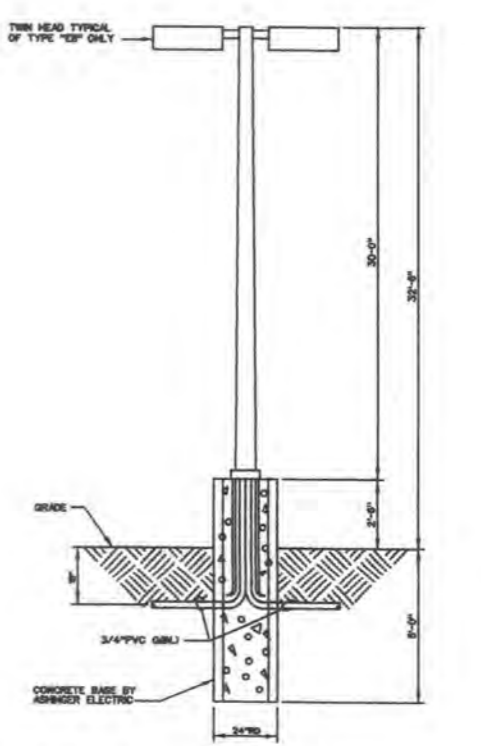
NOTE:  
SITE LIGHTING AND ELECTRICAL INFORMATION PROVIDED BY ASCHINGER ELECTRIC. EXACT LOCATION OR ACCURACY OF LIGHTS, CIRCUITS, ETC. HAS NOT BEEN VERIFIED. THIS INFORMATION IS PRESENTED FOR SCHEMATIC REFERENCE ONLY. FOR DETAILED INFORMATION, PLEASE REFER TO ASCHINGER PLANS. FOR EXTERIOR LIGHTING AND PHOTOMETRIC LIGHTING, OF RESTAURANT, PLEASE REFER TO BRISTOL ELECTRICAL PLANS.



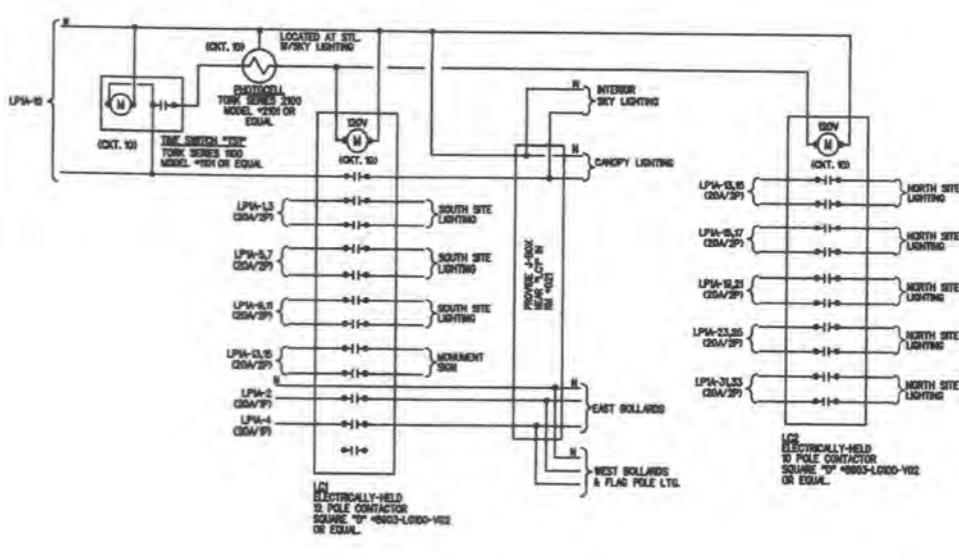
NOTE:  
LIGHTING AND ELECTRICAL INFORMATION PROVIDED BY ASCHINGER ELECTRIC. EXACT LOCATION OR ACCURACY OF LIGHTS, CIRCUITS, ETC. HAS NOT BEEN VERIFIED. THIS INFORMATION IS PRESENTED FOR SCHEMATIC REFERENCE ONLY. FOR DETAILED INFORMATION, PLEASE REFER TO ASCHINGER PLANS.

EXIST. 2GSI-4 REMOVE, ROTATED AND REINSTALL TOP TO CORRESPOND TO NEW DRIVEWAY PAVEMENT AND GRADE.

NOTE:  
LIGHTING AND ELECTRICAL INFORMATION PROVIDED BY ASCHINGER ELECTRIC. EXACT LOCATION OR ACCURACY OF LIGHTS, CIRCUITS, ETC. HAS NOT BEEN VERIFIED. THIS INFORMATION IS PRESENTED FOR SCHEMATIC REFERENCE ONLY. FOR DETAILED INFORMATION, PLEASE REFER TO ASCHINGER PLANS.



CONCRETE BASE DETAIL FOR FIXTURE TYPE "EA, EB & EC" NTS

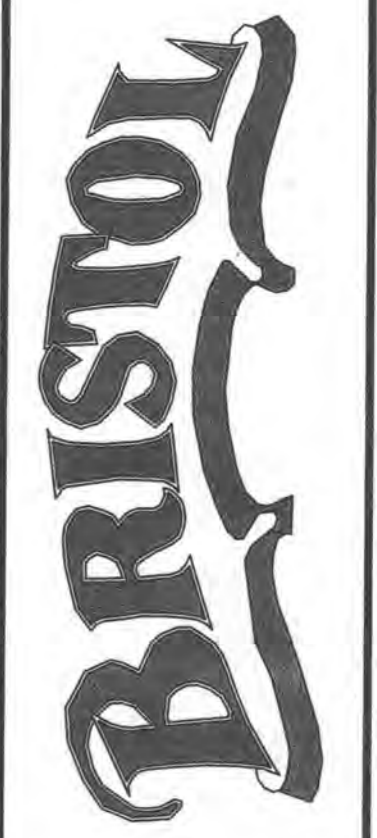


EXTERIOR LIGHTING CONTROL NTS

McFalgie Development  
1001 BOARDWALK  
SPRINGS PLACE  
O'FALLON, MO 63366  
(636) 566-9300  
(636) 566-9301



AT WINGHAVEN



LIGHTING PLAN  
Design By: J.A.F.  
Drawn By: J.R.S.  
Checked By: A.C.C.  
Base Map No. XX-XX  
P • XXXXXX-XX  
6930-33  
12-12-02  
8931.35.03

REVISED: 7-21-03 City Comments  
REVISED: 5-01-03 Relocated Details  
REVISED: 4-10-03 PER MoDOT COMMENTS