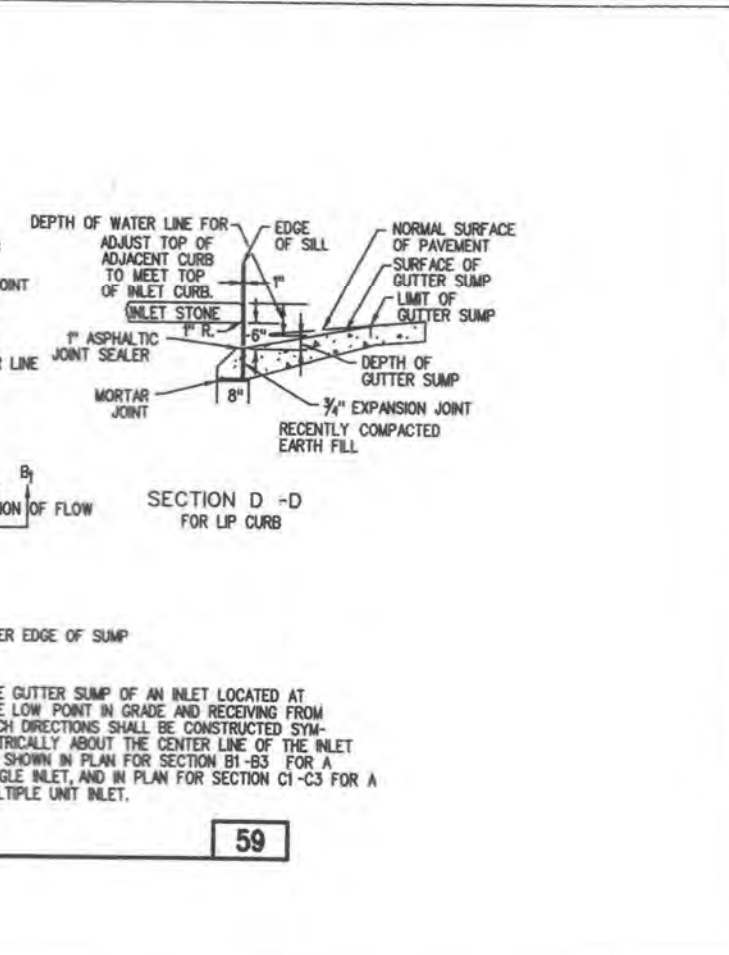
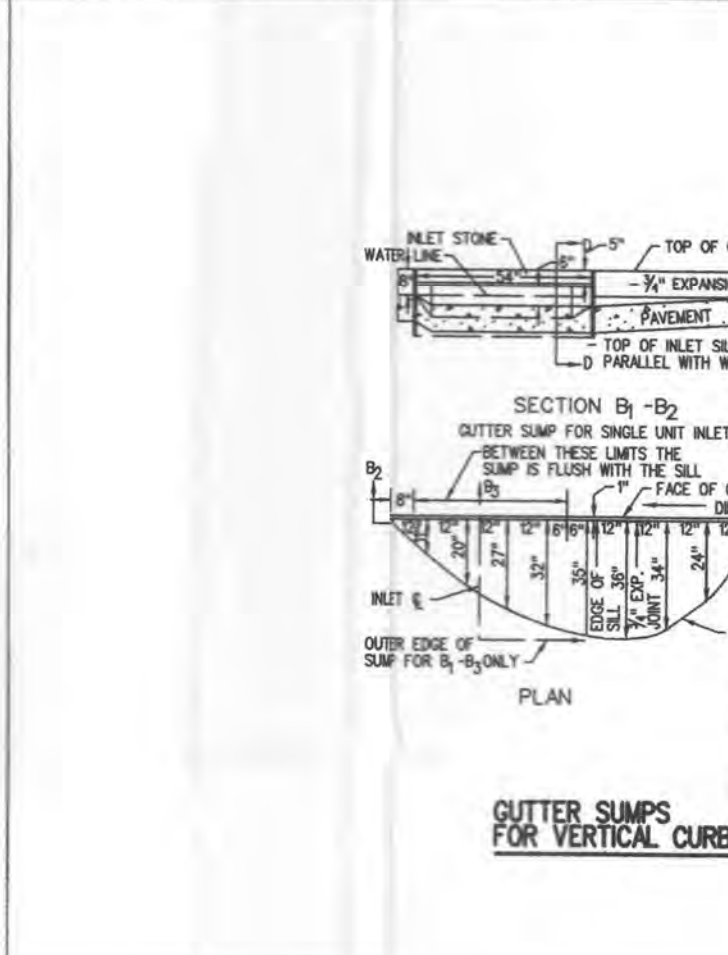
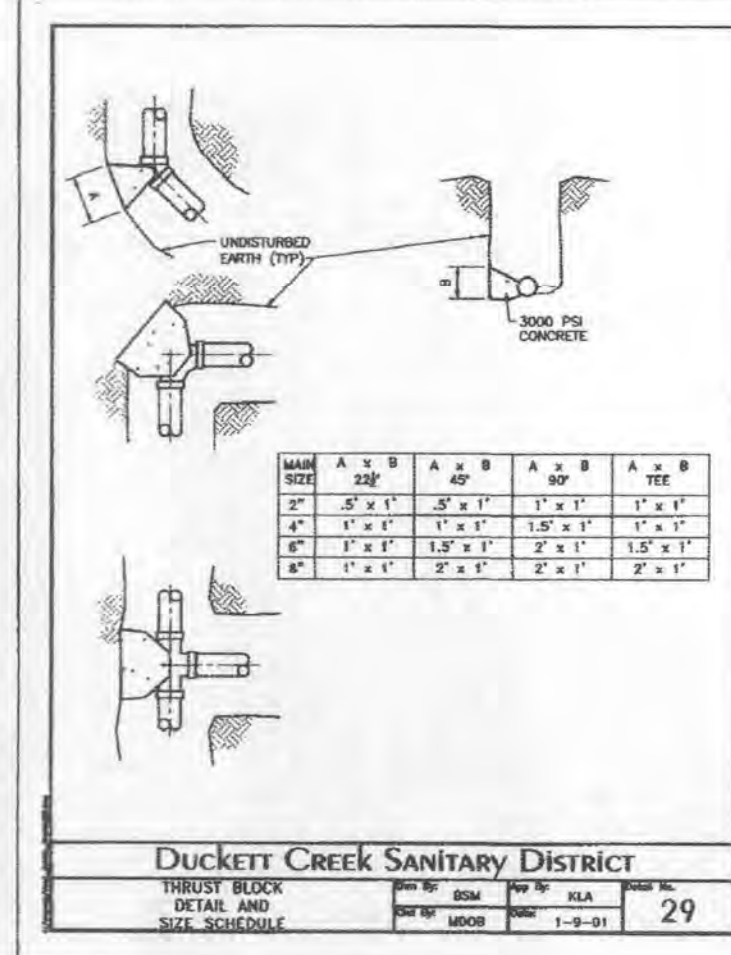
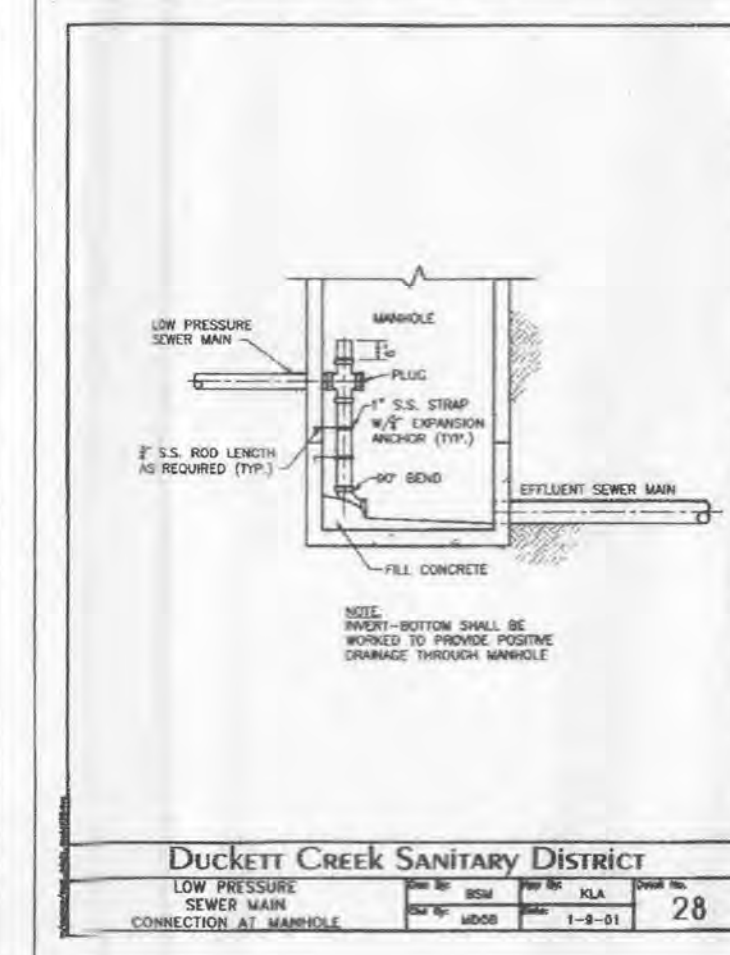
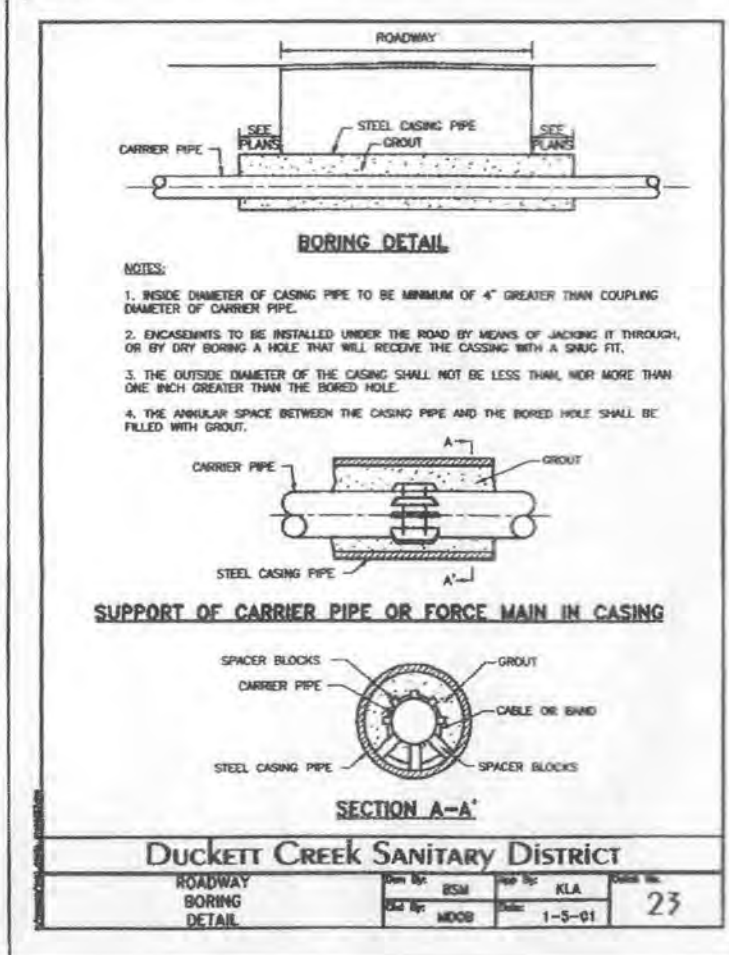
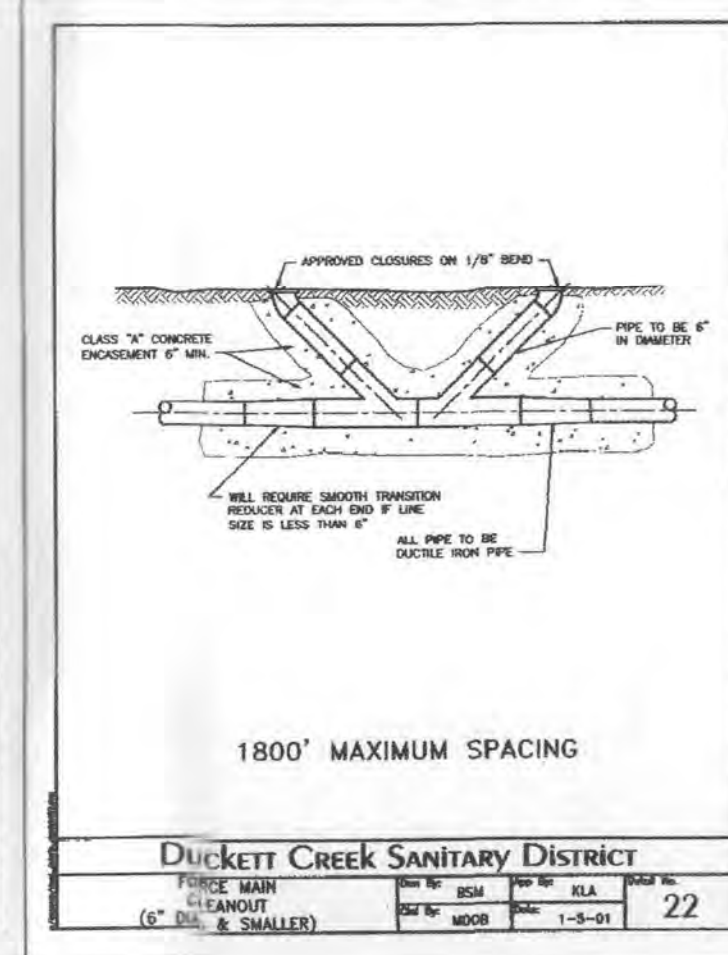
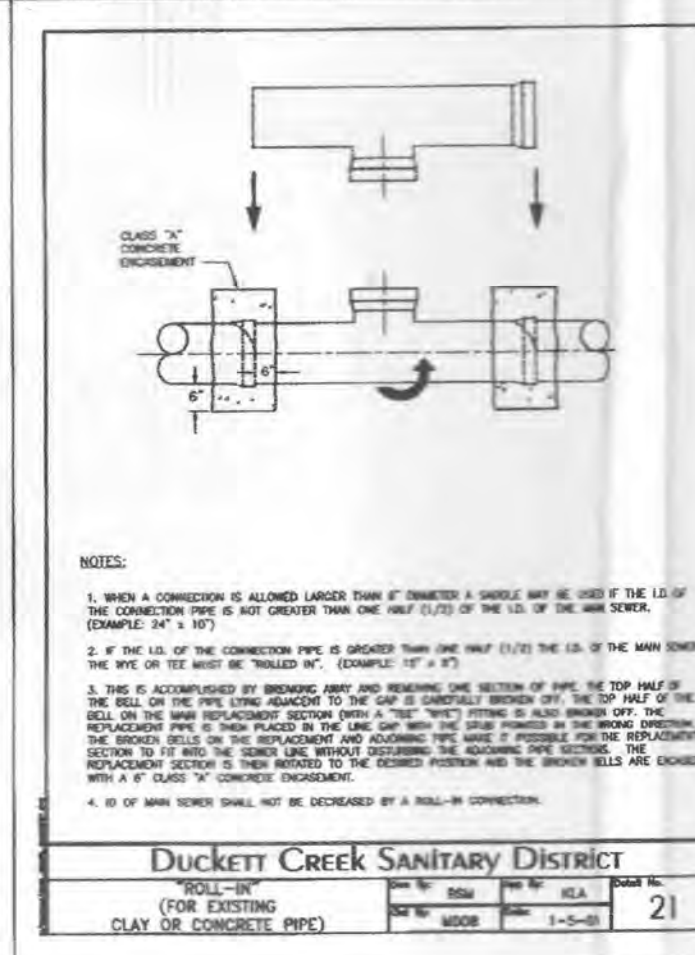
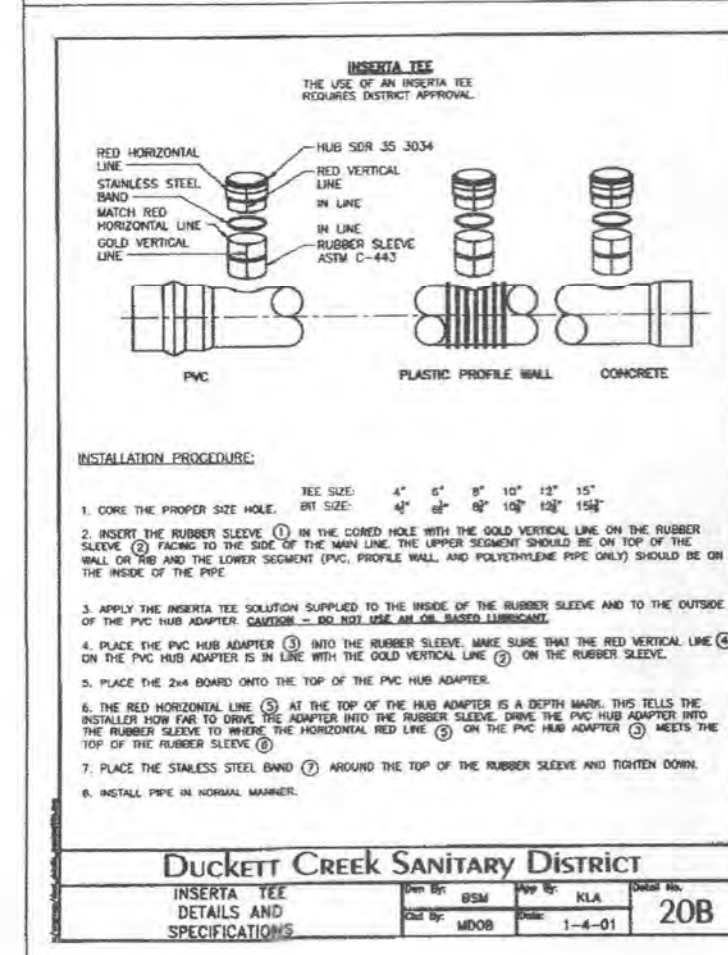
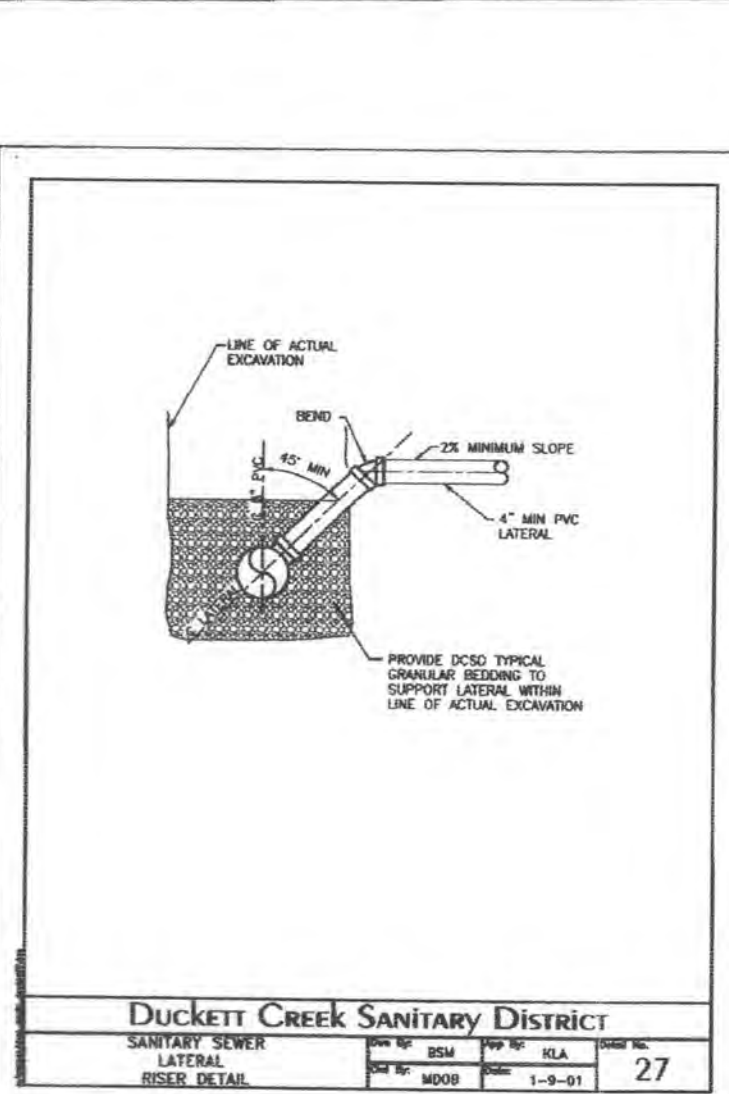
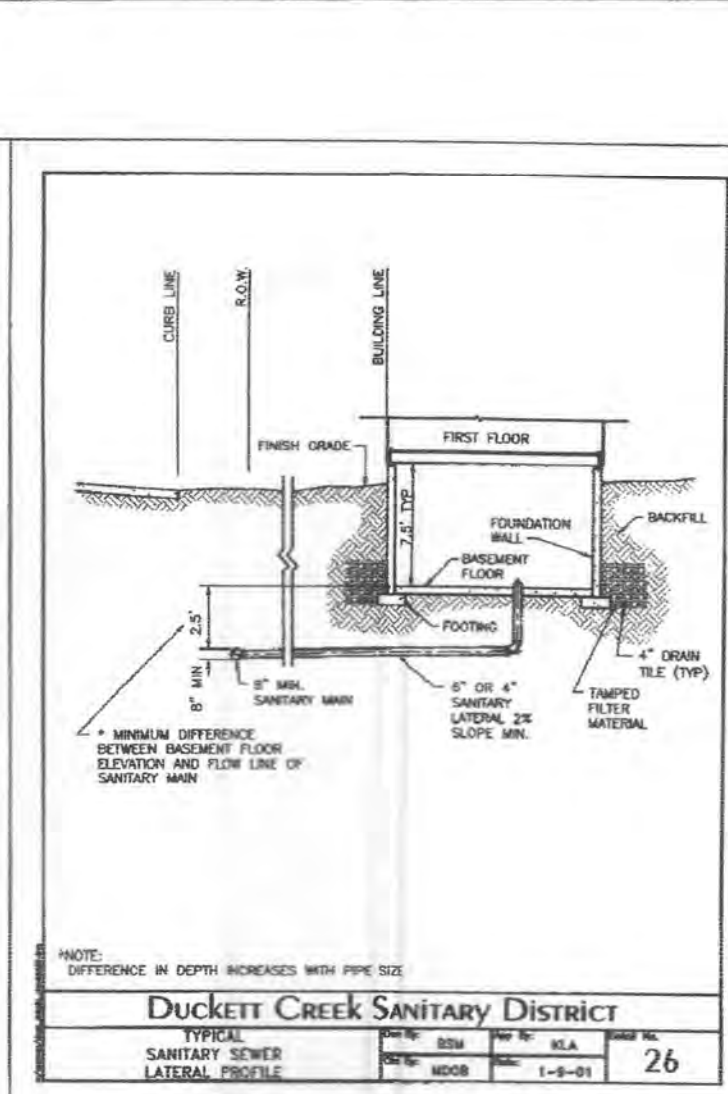
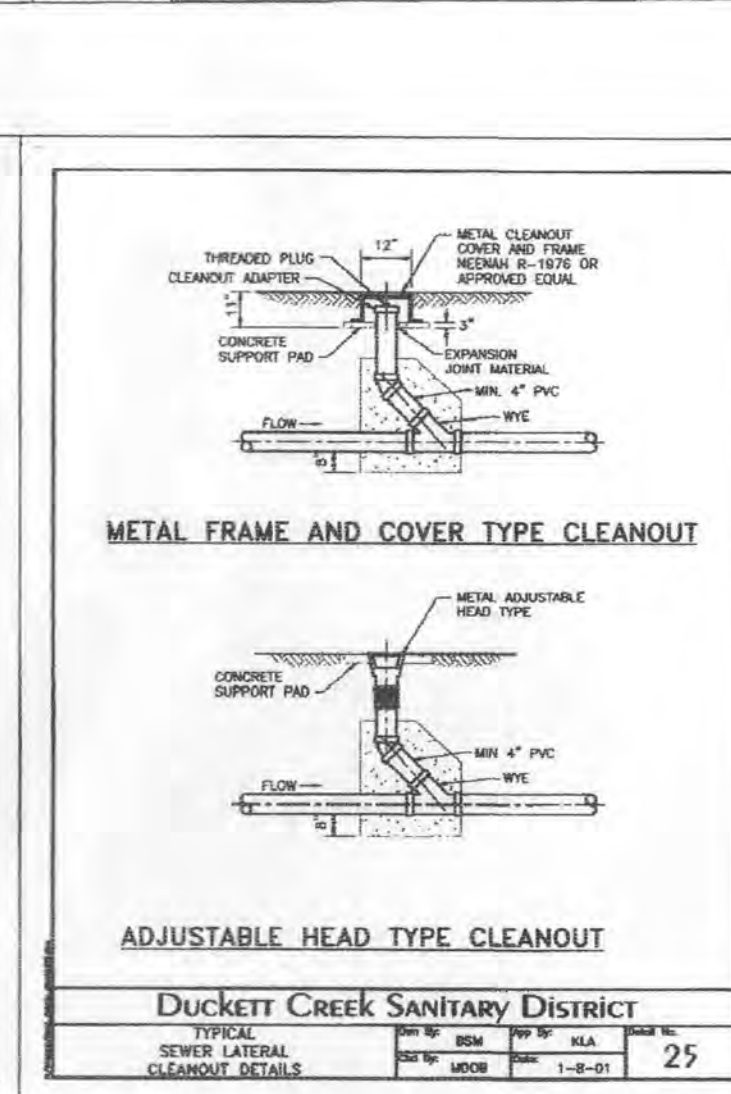
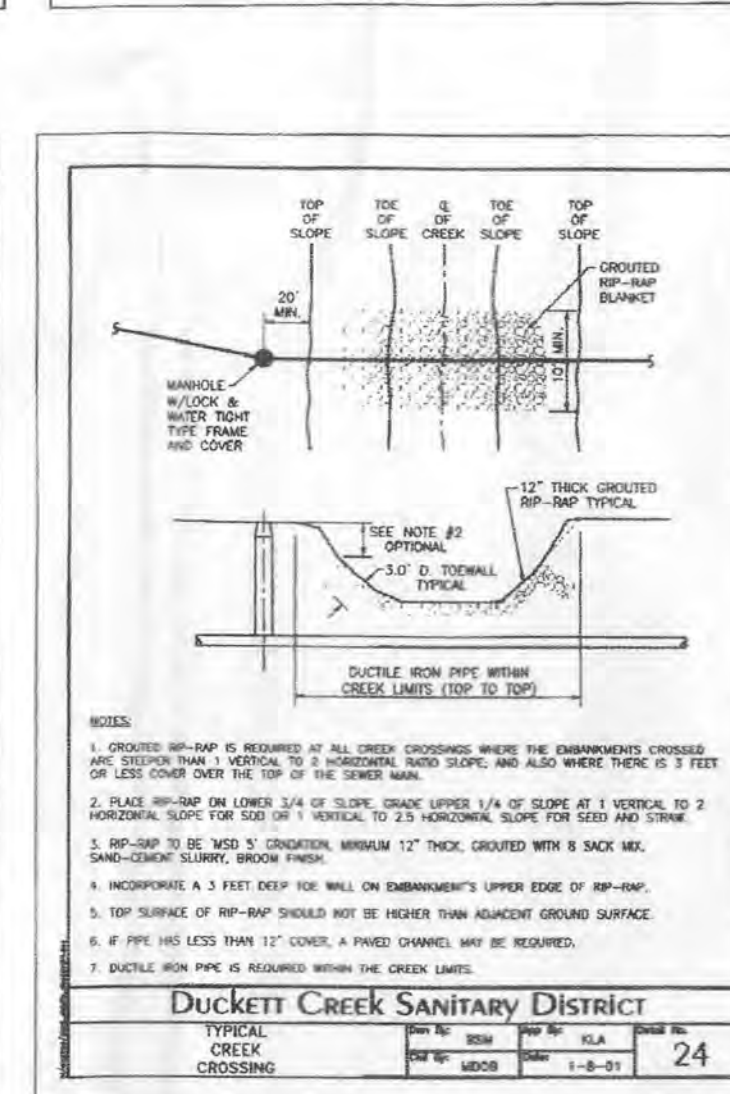
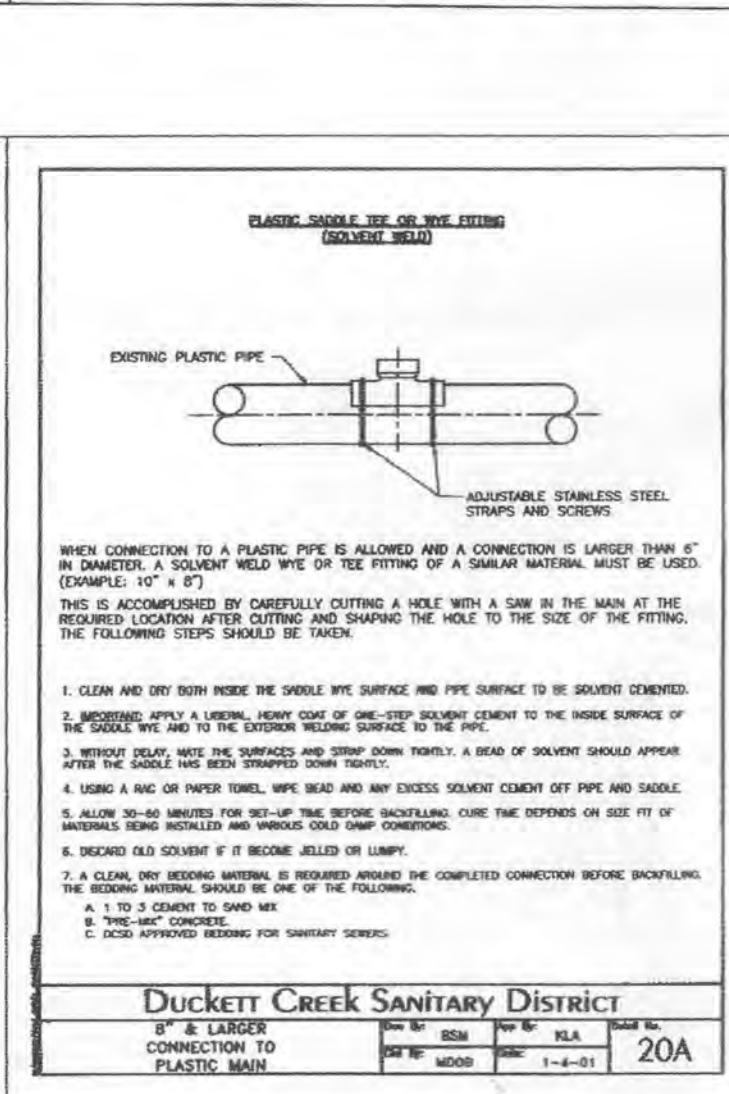
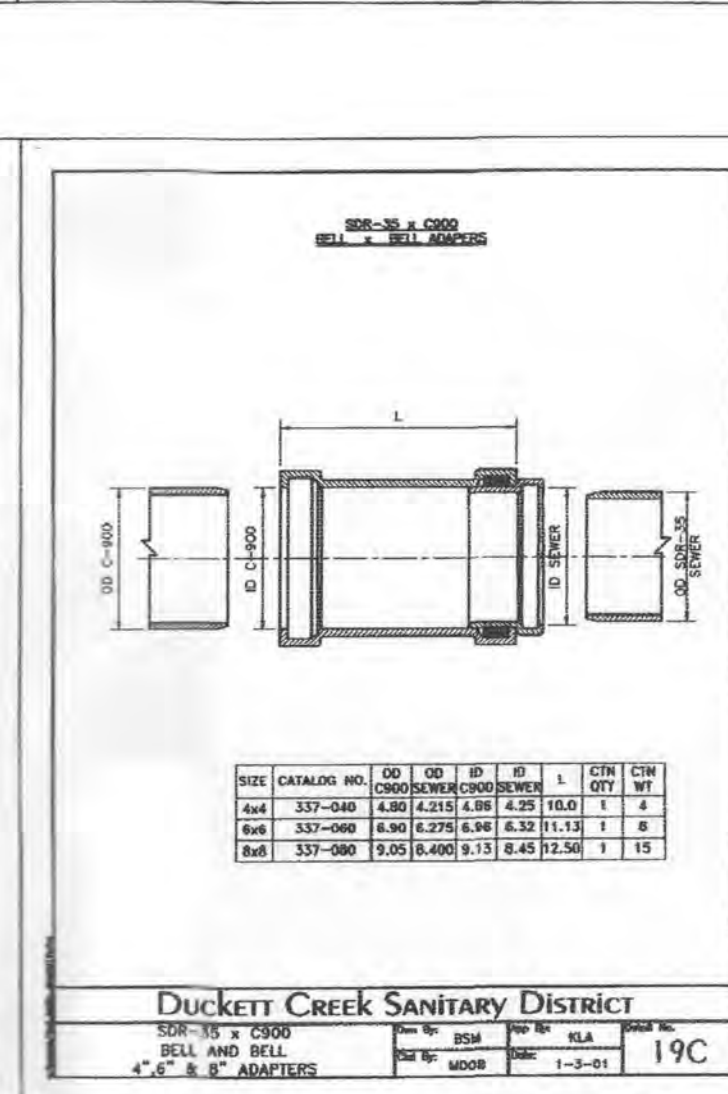
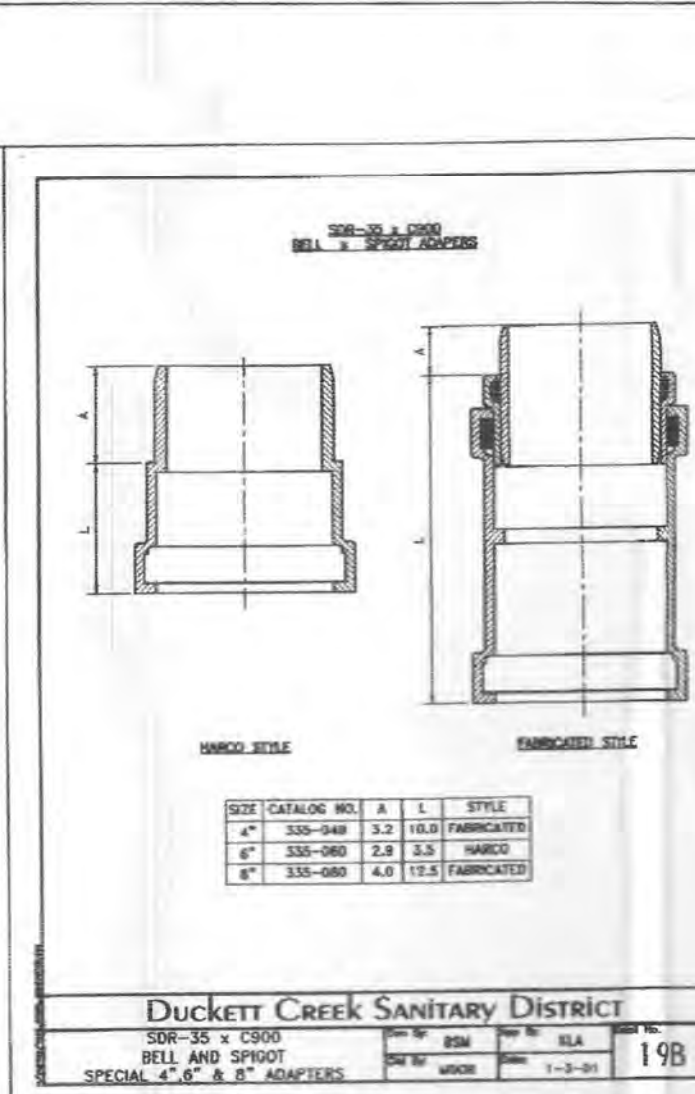
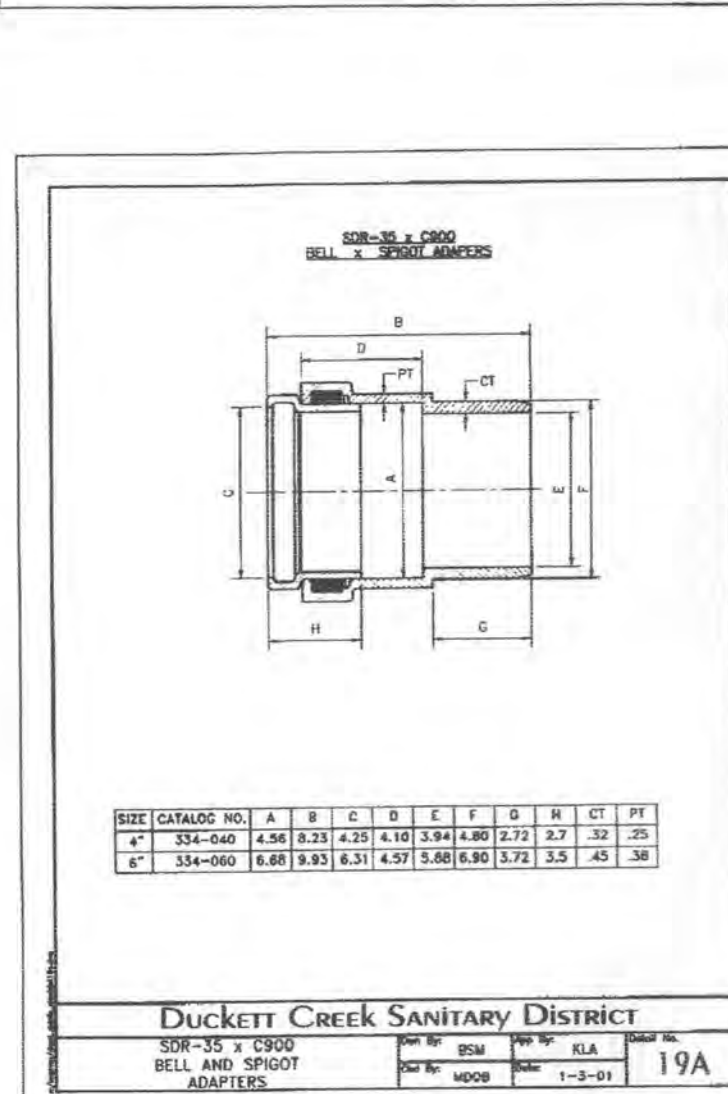
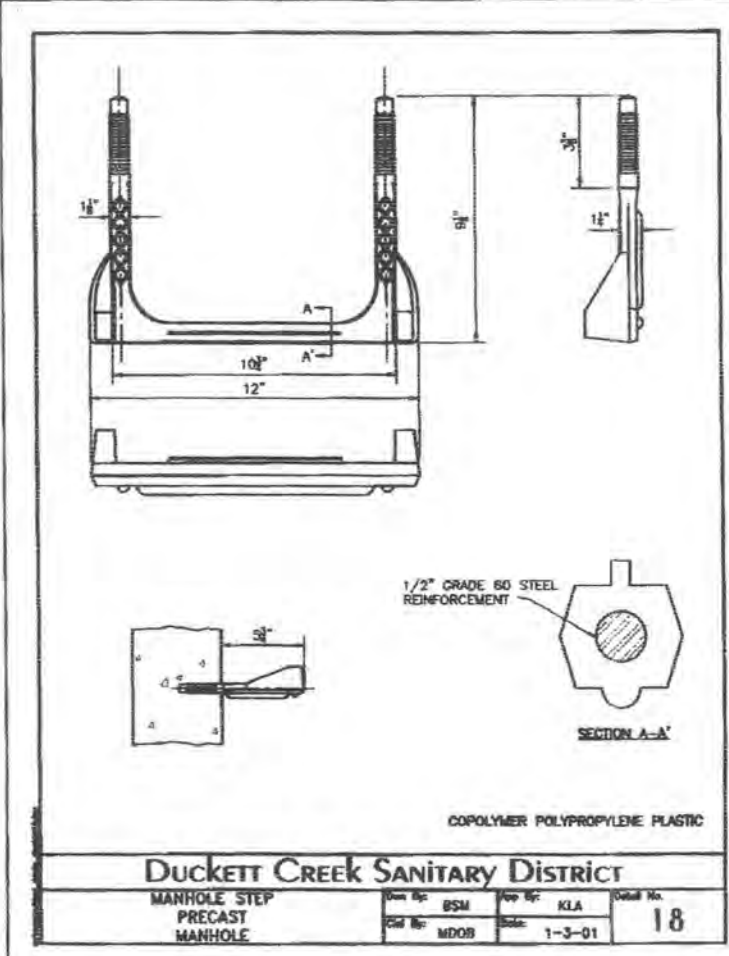
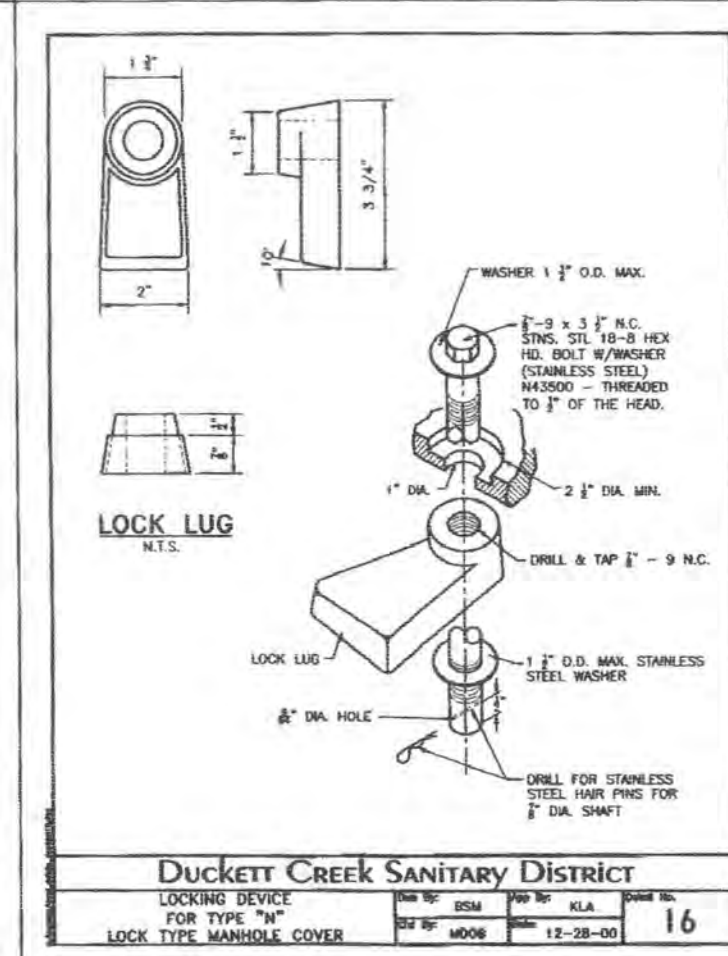
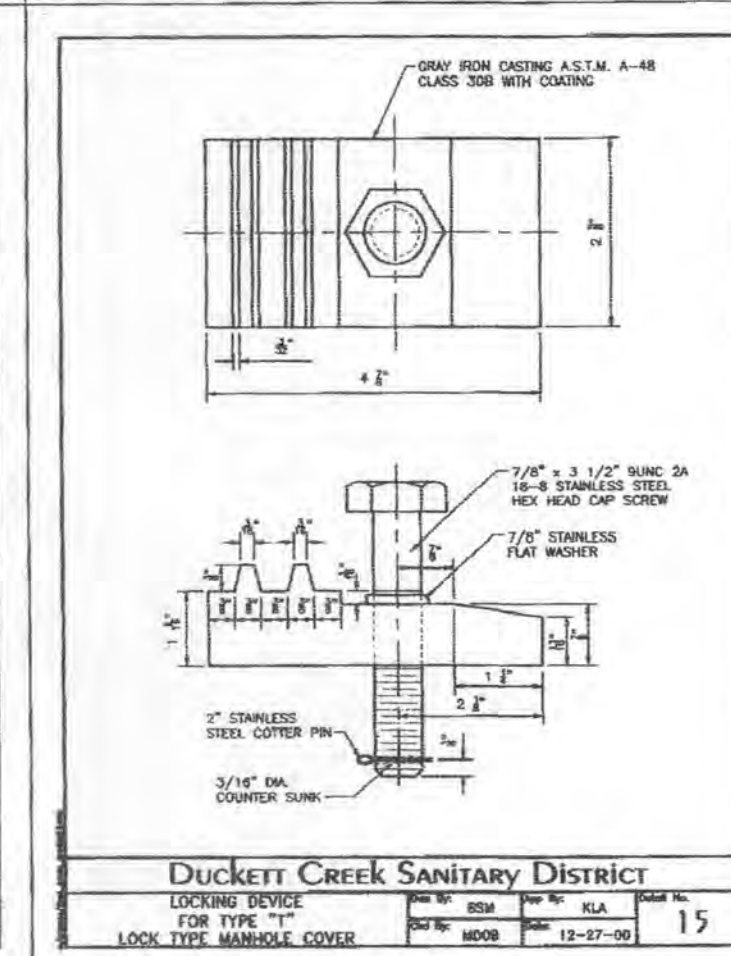
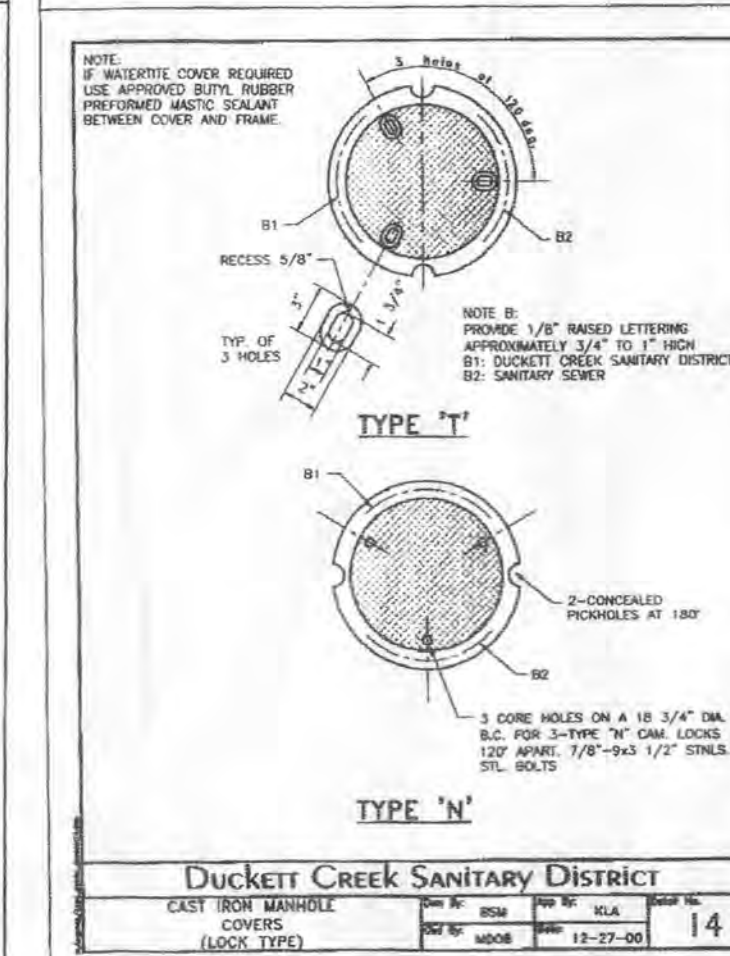
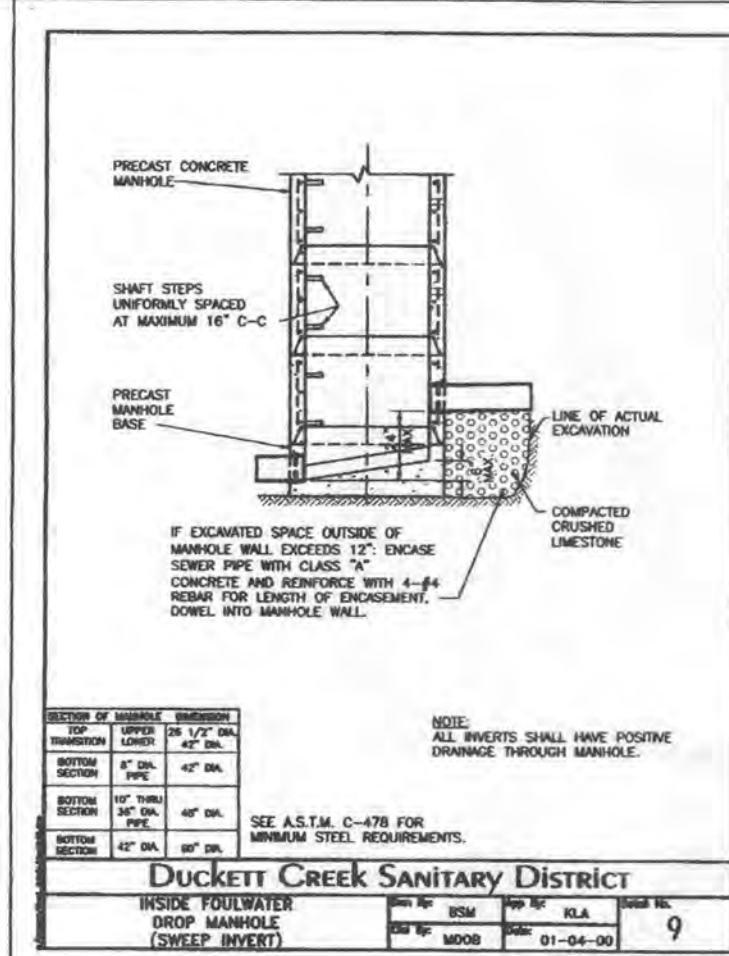
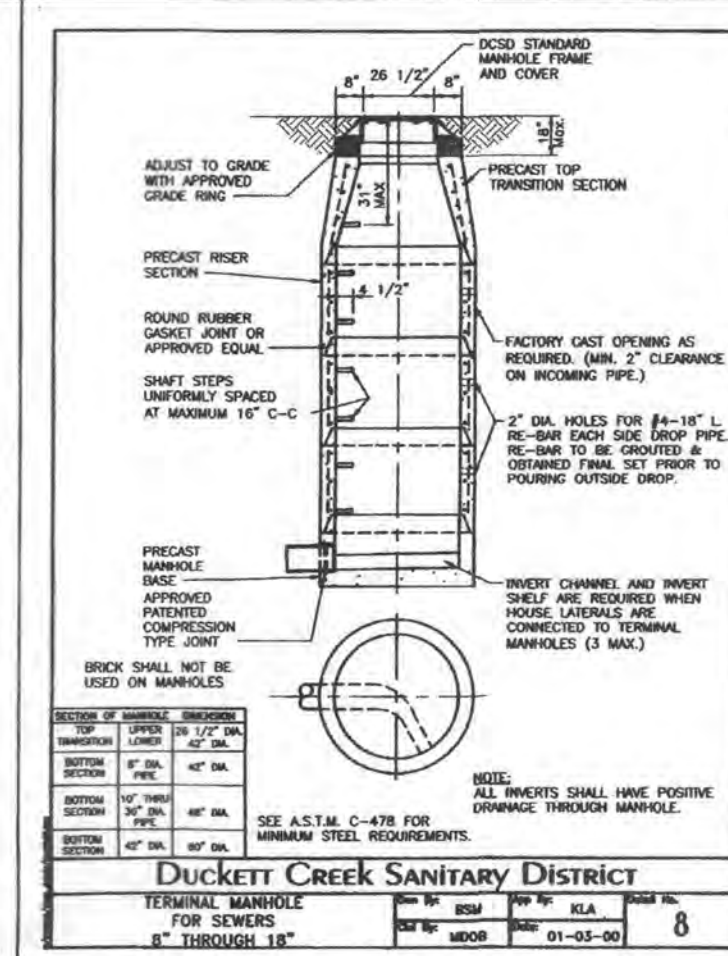
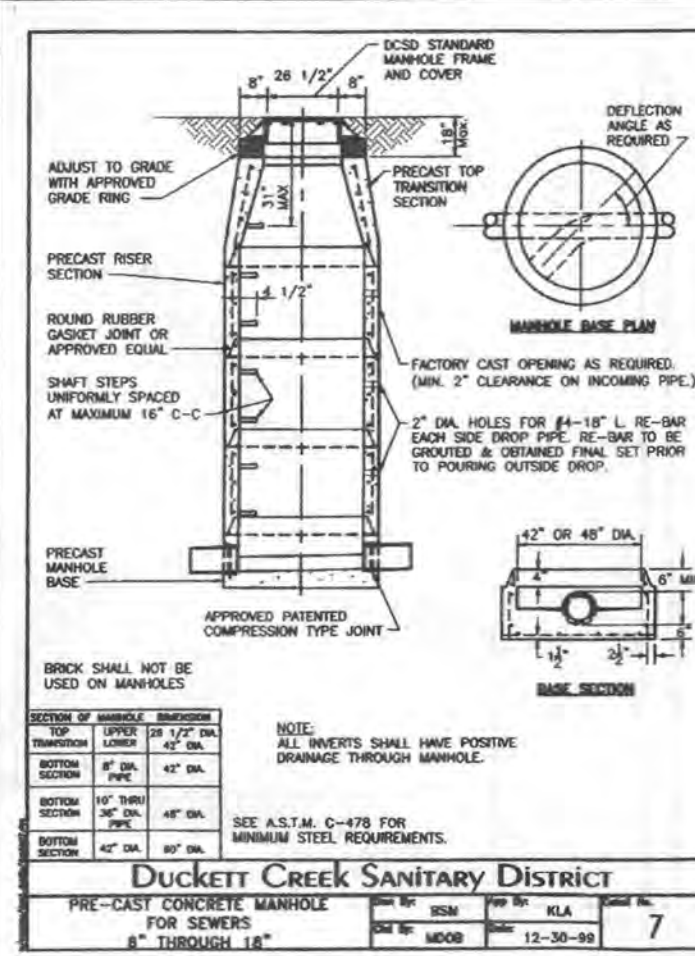
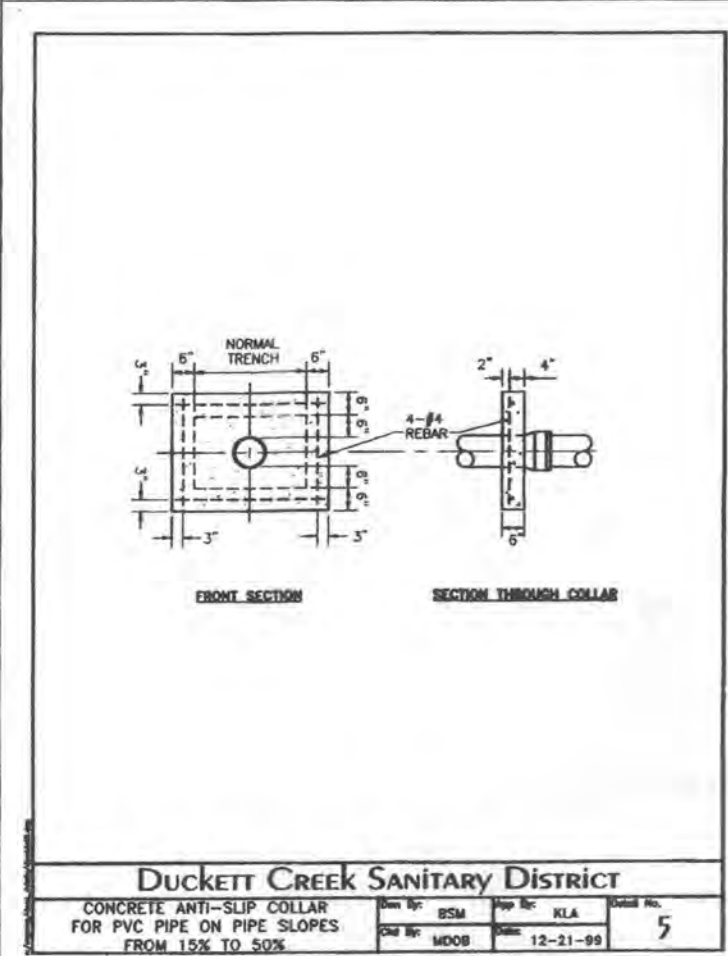
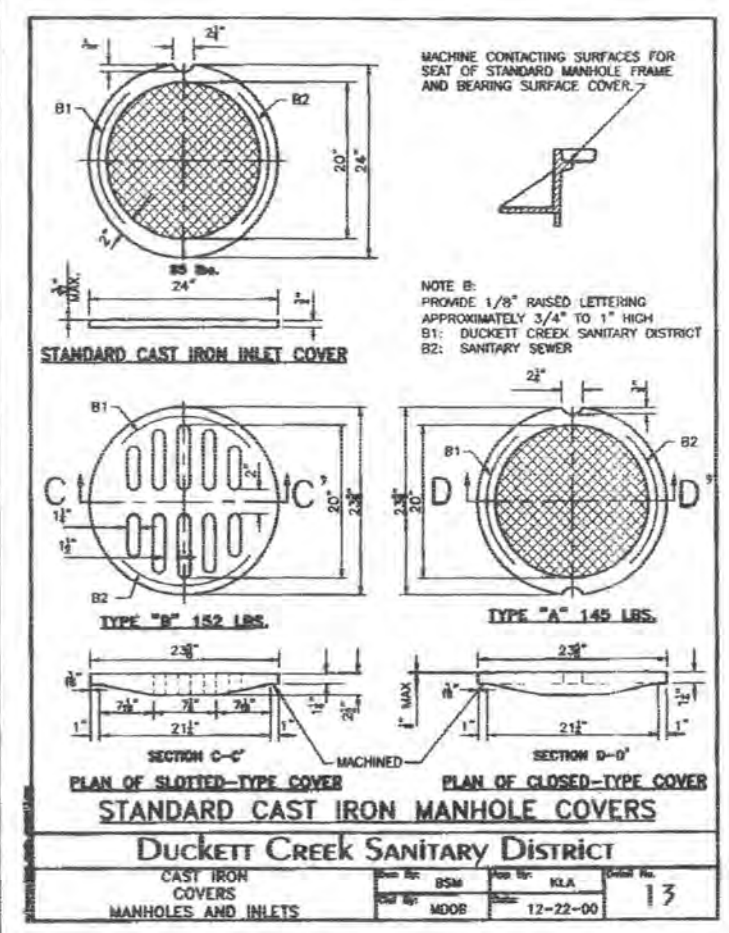
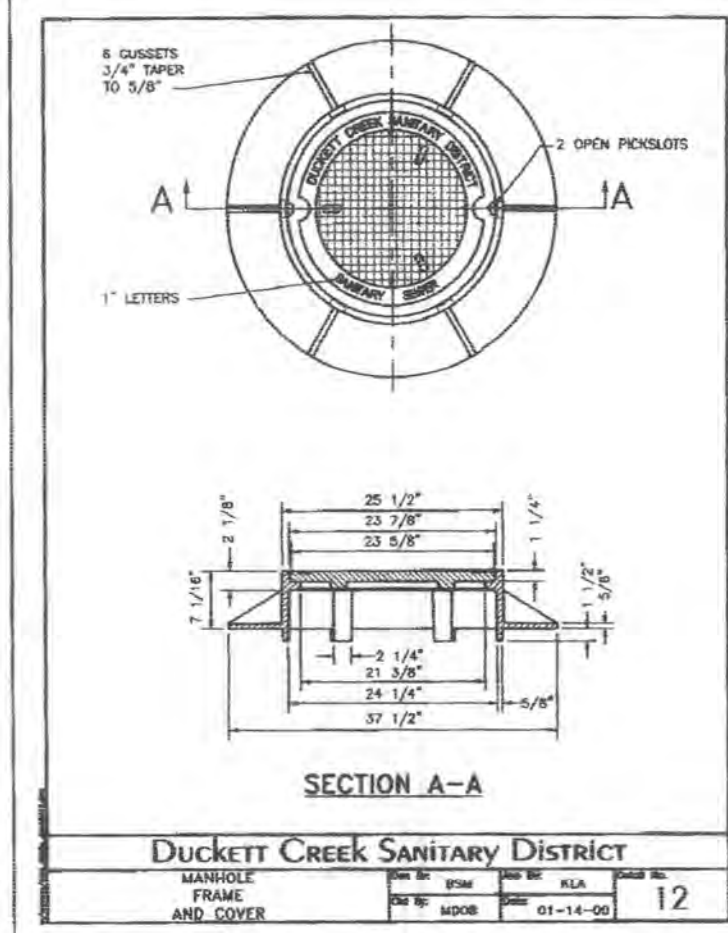
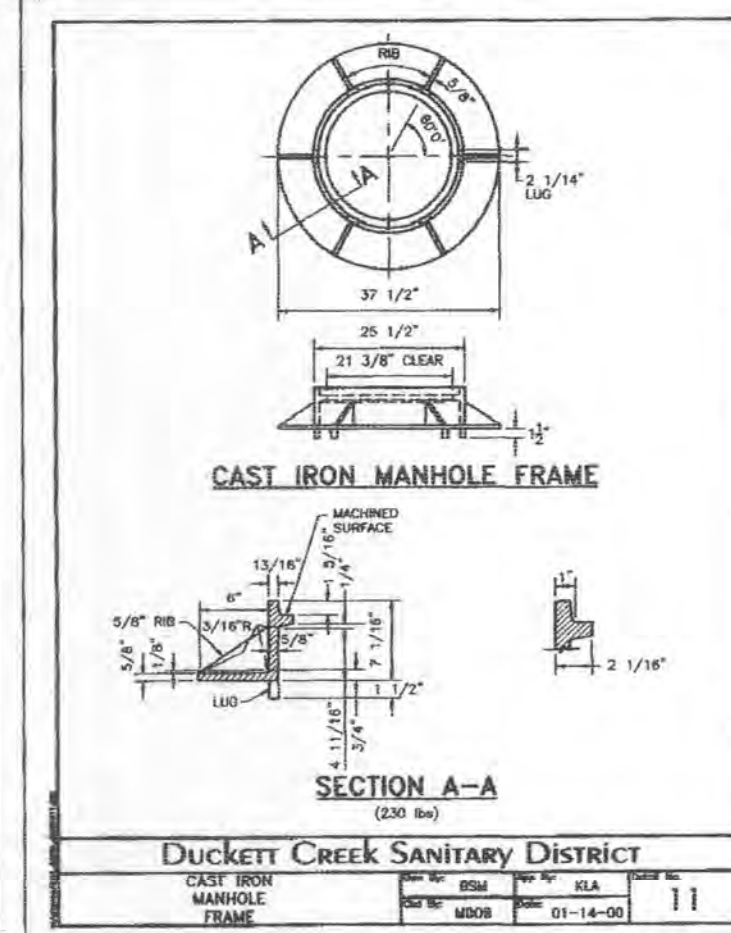
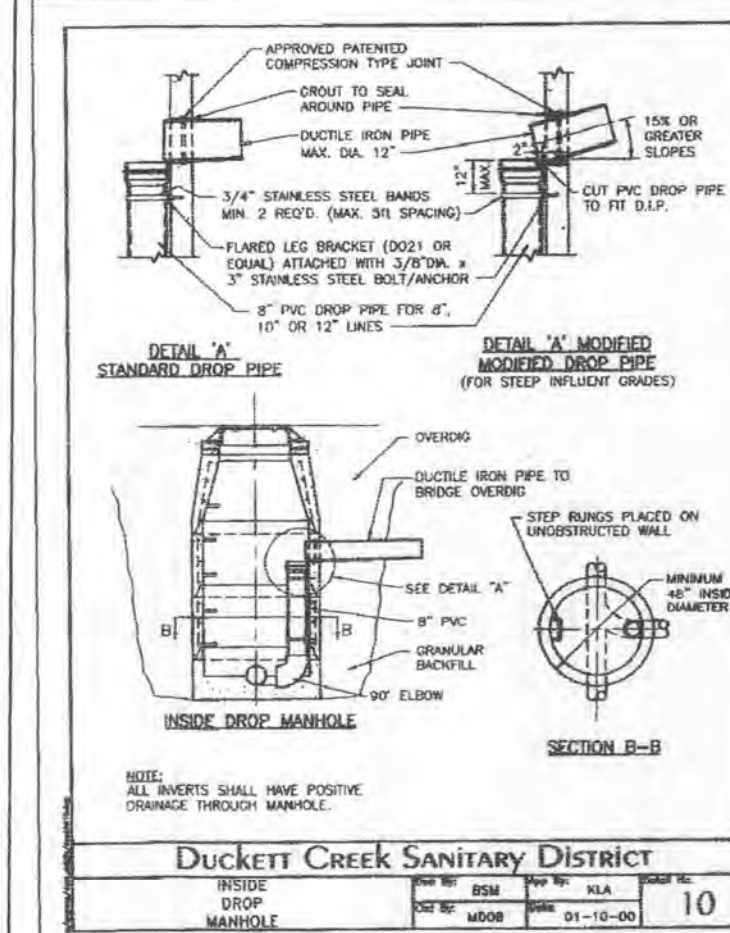
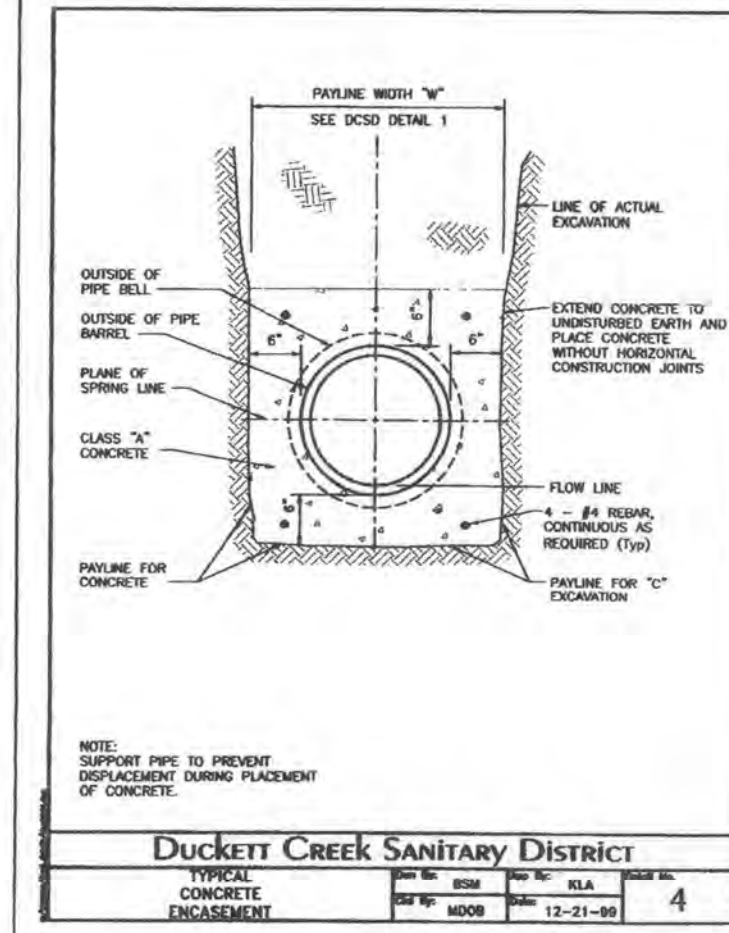
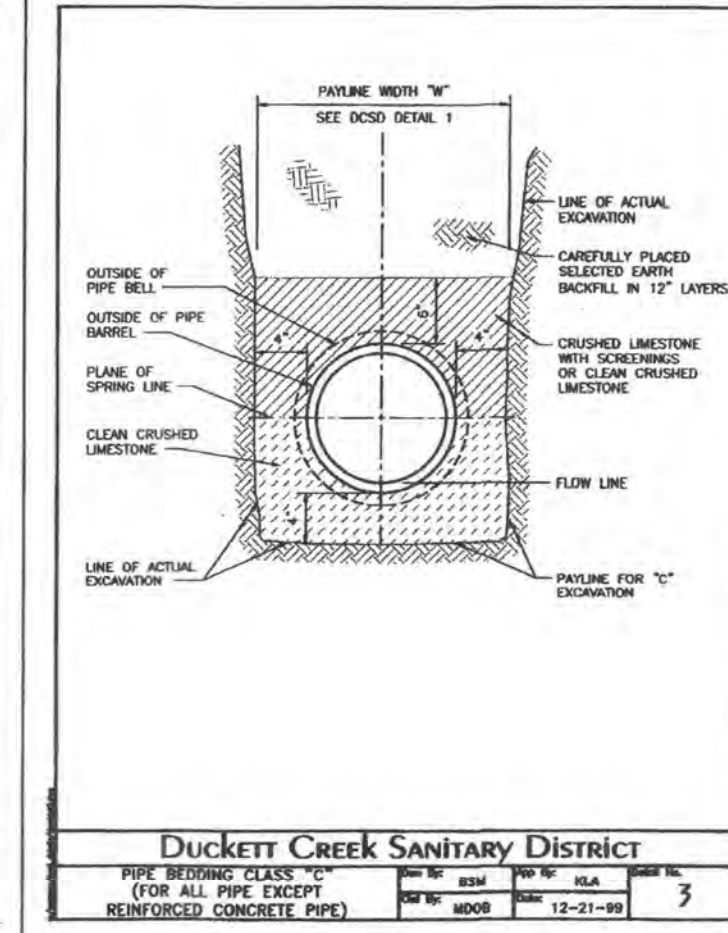
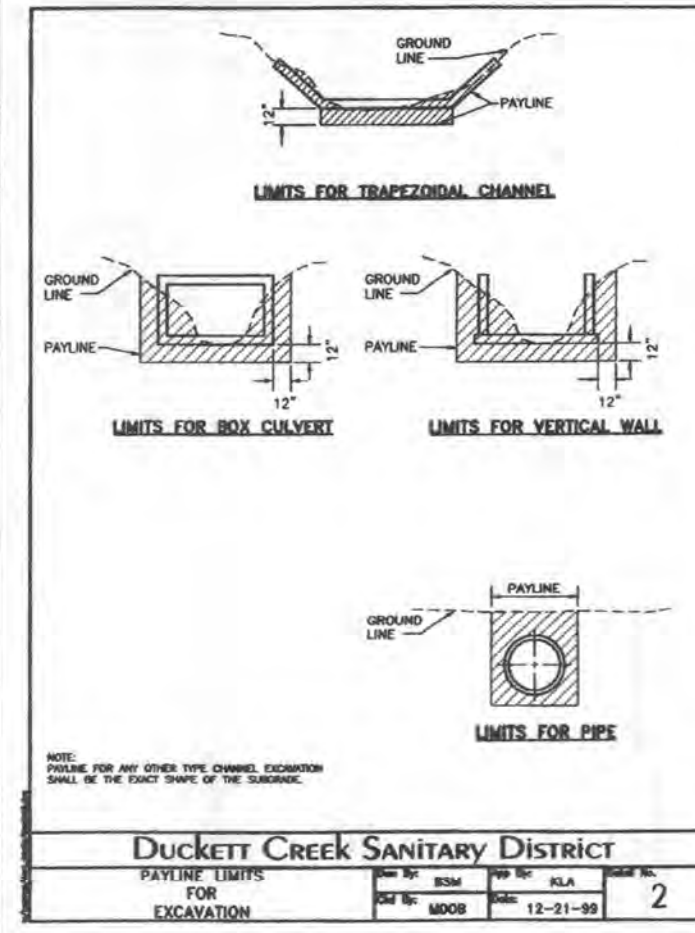


ROUND PIPE		HORIZONTAL ELLIPTICAL PIPE	
INCHES	FEET	INCHES	FEET
4	0.33	4	0.33
6	0.50	6	0.50
8	0.67	8	0.67
10	0.83	10	0.83
12	1.00	12	1.00
15	1.25	15	1.25
18	1.50	18	1.50
24	2.00	24	2.00
30	2.50	30	2.50
36	3.00	36	3.00
42	3.50	42	3.50
48	4.00	48	4.00
54	4.50	54	4.50
60	5.00	60	5.00
66	5.50	66	5.50
72	6.00	72	6.00
78	6.50	78	6.50
84	7.00	84	7.00
90	7.50	90	7.50
96	8.00	96	8.00
102	8.50	102	8.50
108	9.00	108	9.00
114	9.50	114	9.50
120	10.00	120	10.00
126	10.50	126	10.50
132	11.00	132	11.00
138	11.50	138	11.50
144	12.00	144	12.00



McEagle Development
1001 BOARDWALK SPRINGS PLACE
OFFALON, MO 63366
TEL: (636) 561-9900
FAX: (636) 561-9901

VOLZ

BRISTOL AT WINGHAVEN

CONSTRUCTION DETAILS

Design By: JWF
Drawn By: IRS
Checked By: JWF

B09300-33

12-12-02