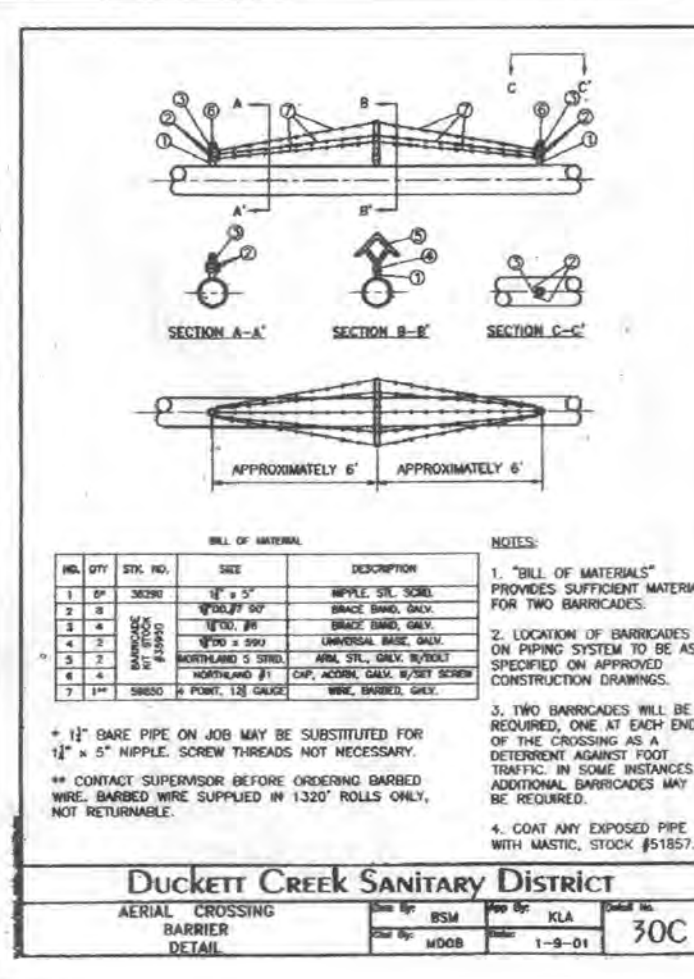
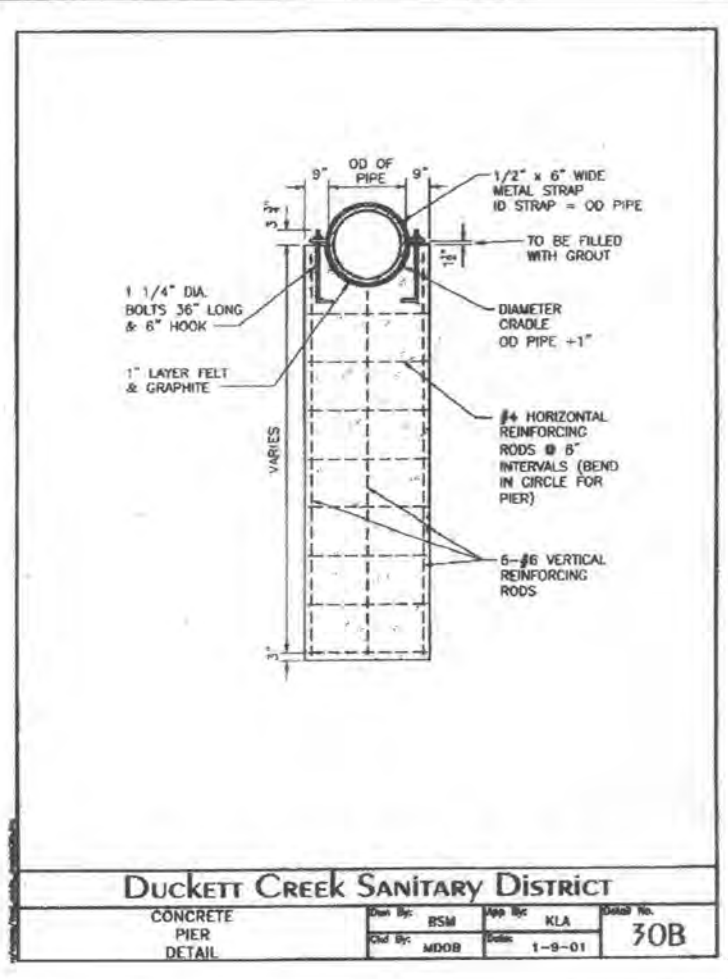
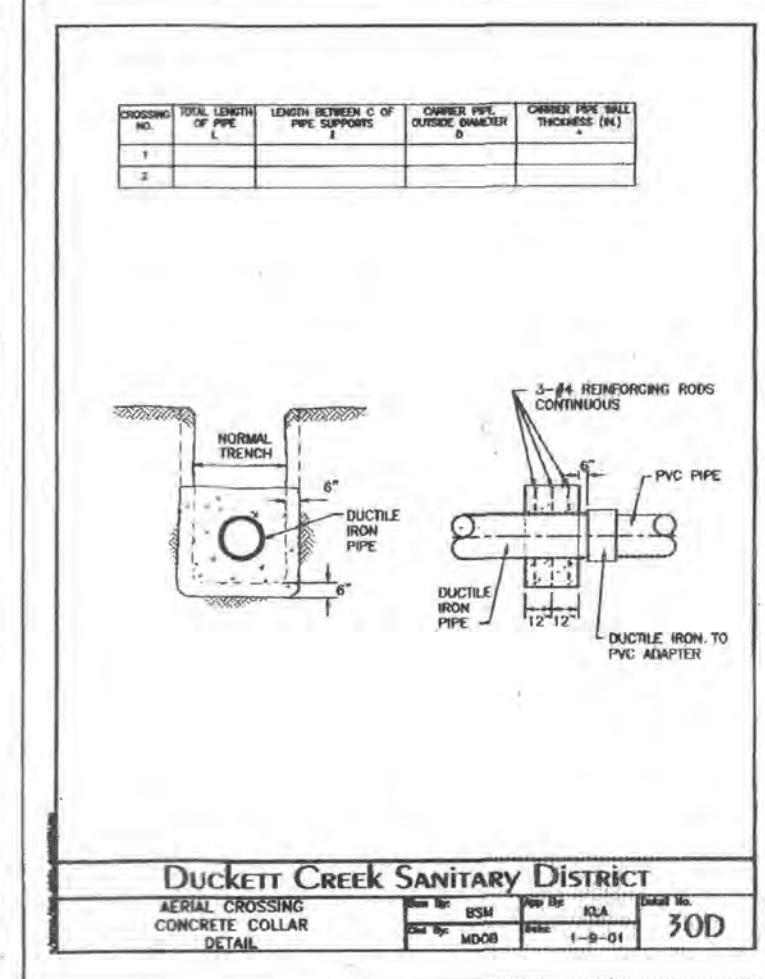


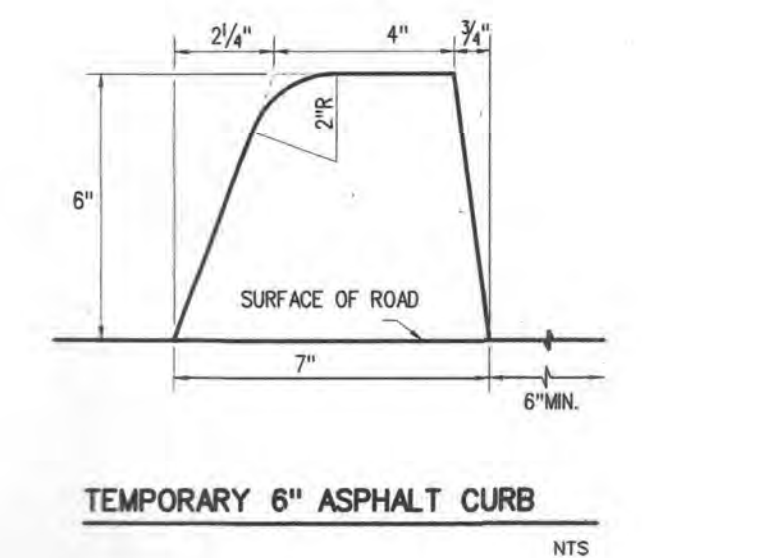
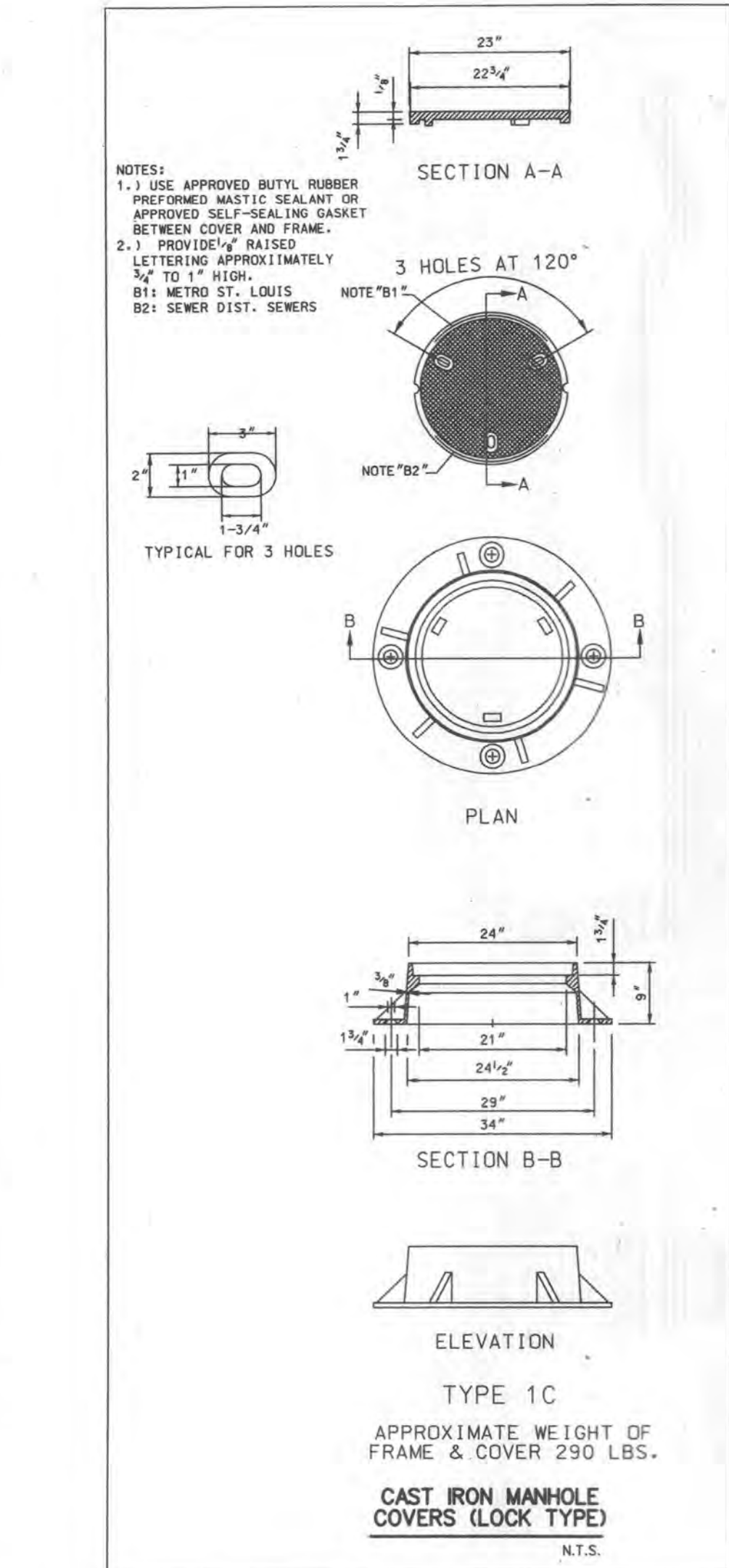
Duck Creek Sanitary District
AERIAL CROSSING
DETAIL
DATE: 1-19-01
JOB NO: 70A



Duck Creek Sanitary District
AERIAL CROSSING
DETAIL
DATE: 1-19-01
JOB NO: 70B

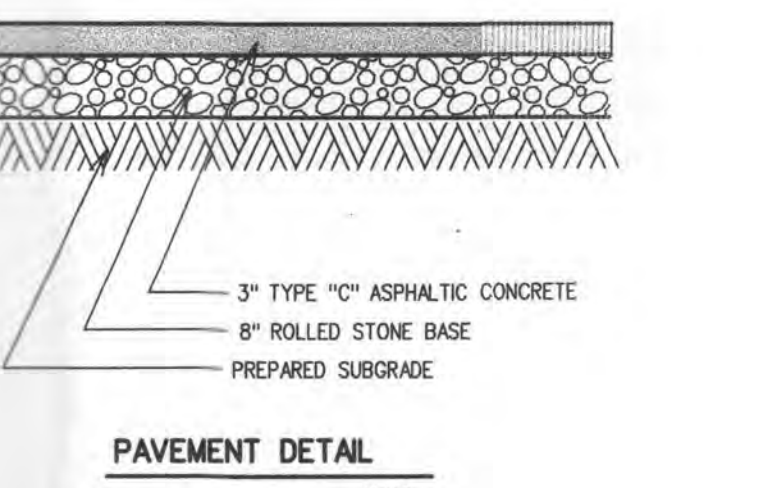


Duck Creek Sanitary District
AERIAL CROSSING
DETAIL
DATE: 1-19-01
JOB NO: 70D

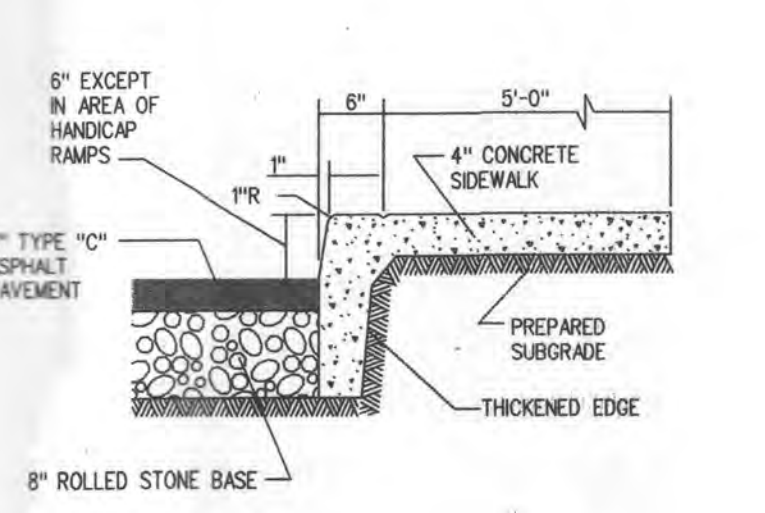


**TEMPORARY 6\"/>

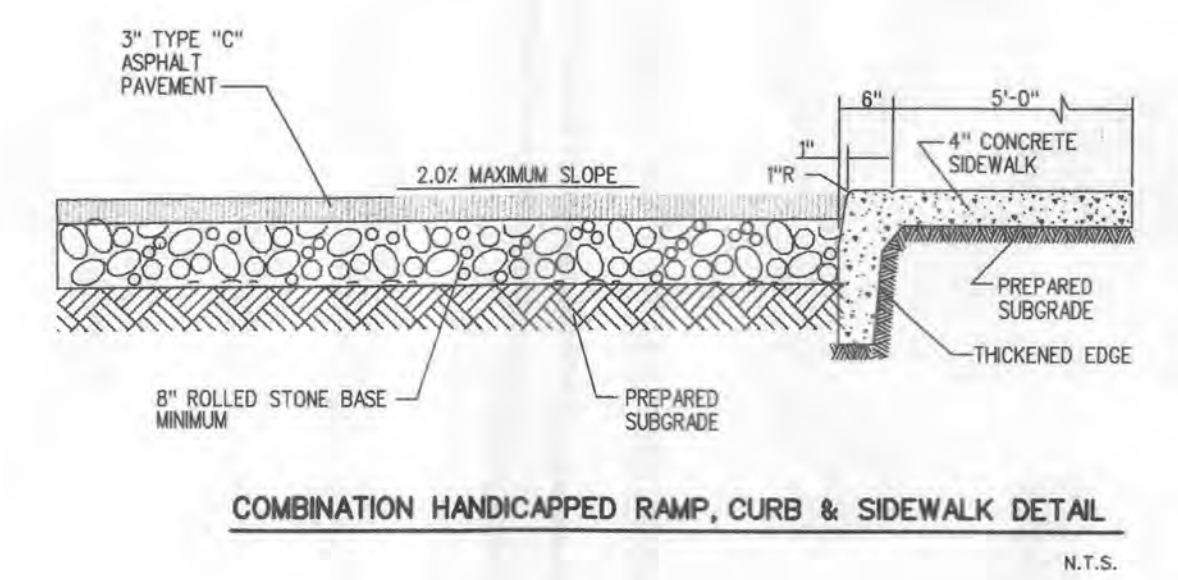
N.T.S.**



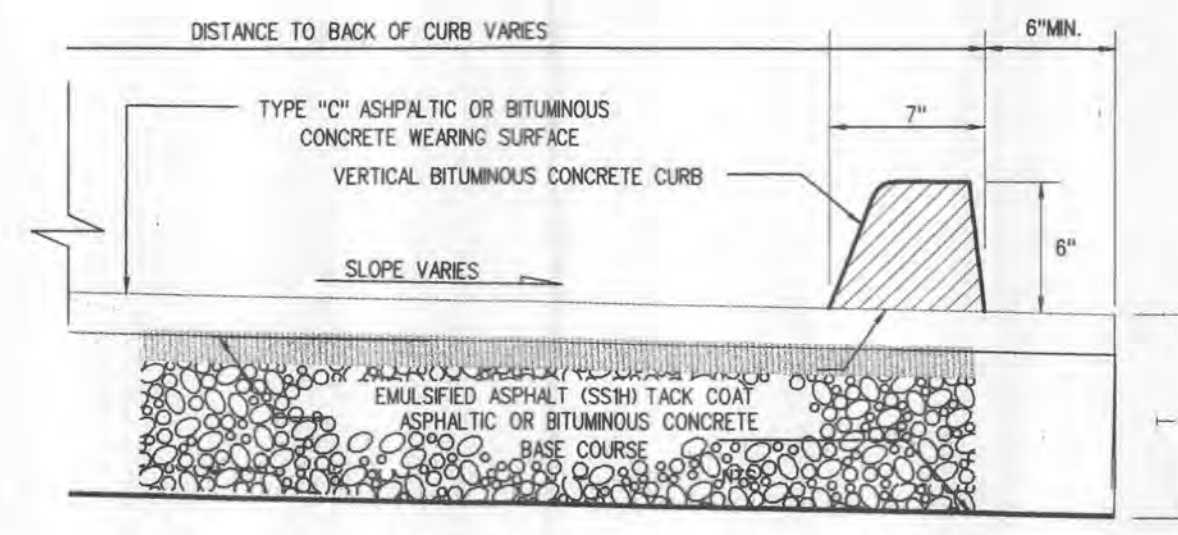
PAVEMENT DETAIL
N.T.S.



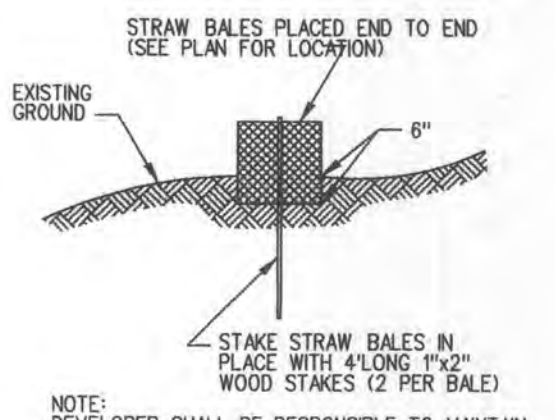
COMBINATION CURB & SIDEWALK DETAIL
N.T.S.



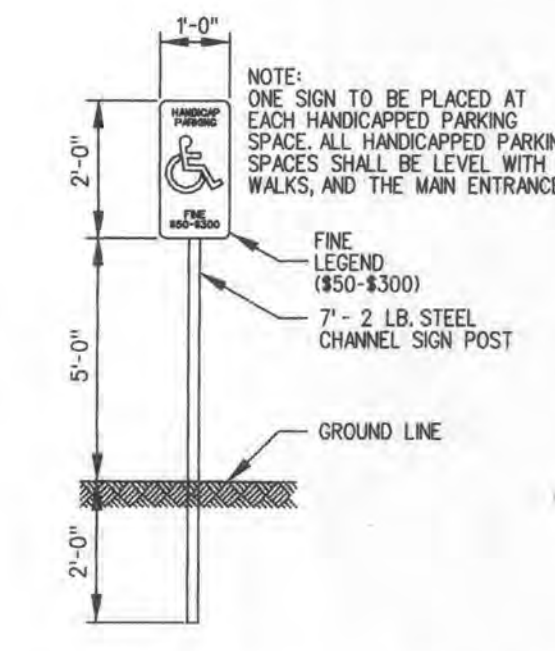
COMBINATION HANDICAPPED RAMP, CURB & SIDEWALK DETAIL
N.T.S.



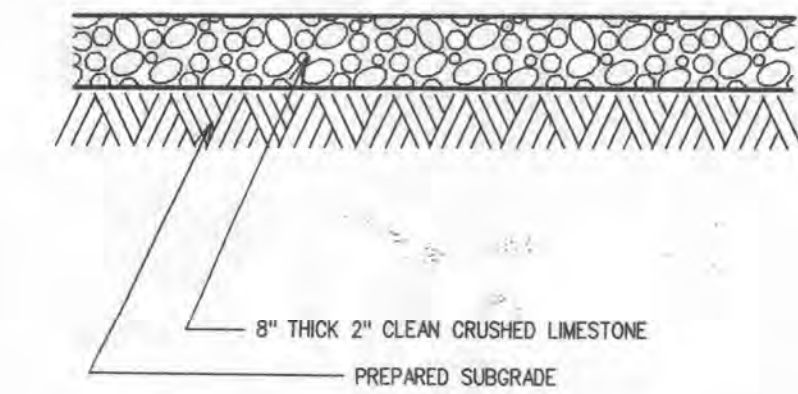
TEMPORARY ASPHALT CURB DETAIL
N.T.S.



SILTATION CONTROL DETAIL
N.T.S.



HANDICAPPED PARKING SIGN DETAIL
N.T.S.

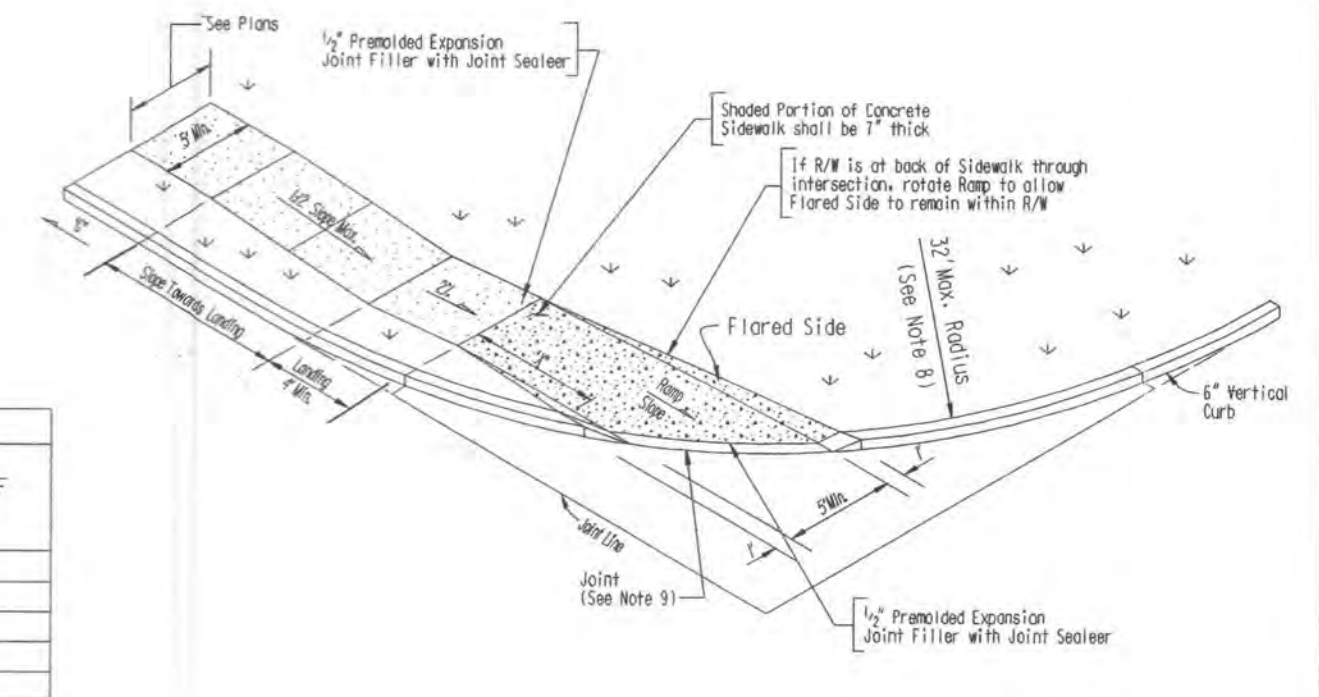


TRUCK WASHDOWN AREA DETAIL
N.T.S.

TYPE 1 AND TYPE 2 CURB RAMPS

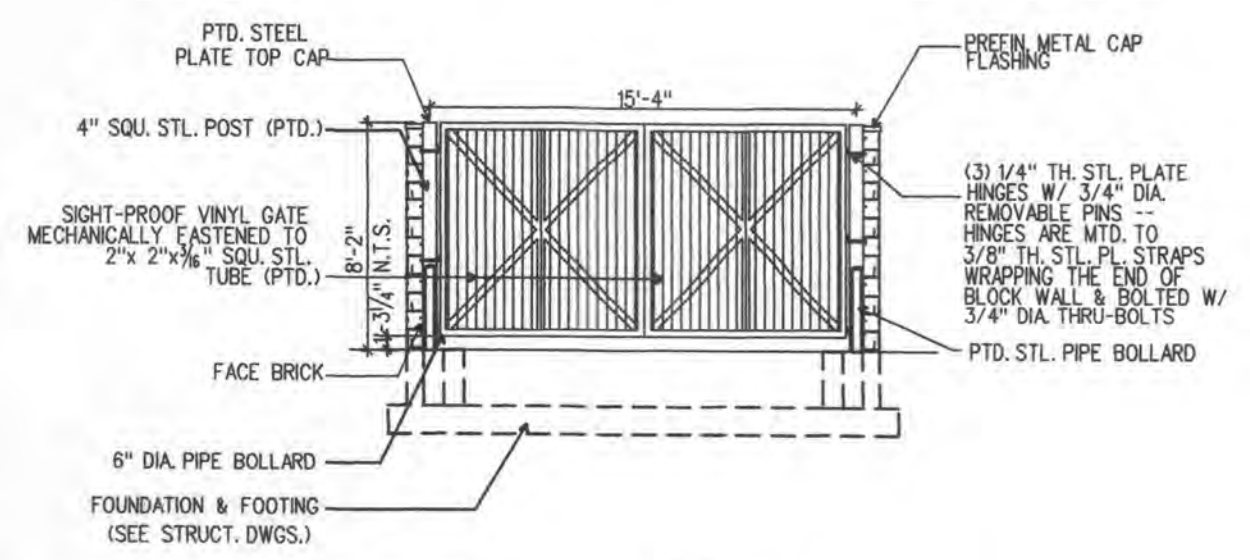
GRADE ALONG CURB (%)	MIN. LENGTH OF RAMP SLOPE (L.F.)
NEGATIVE (-) VALUES	6
0 TO +1	7
+1.01 TO +2	8
+2.01 TO +3	10
+3.01 TO +4	12
GREATER THAN +4	15

NOTE: Positive (+) "0" - Proceeding away from intersection and up a grade.
Positive (-) "0" - Proceeding away from intersection and down a grade.

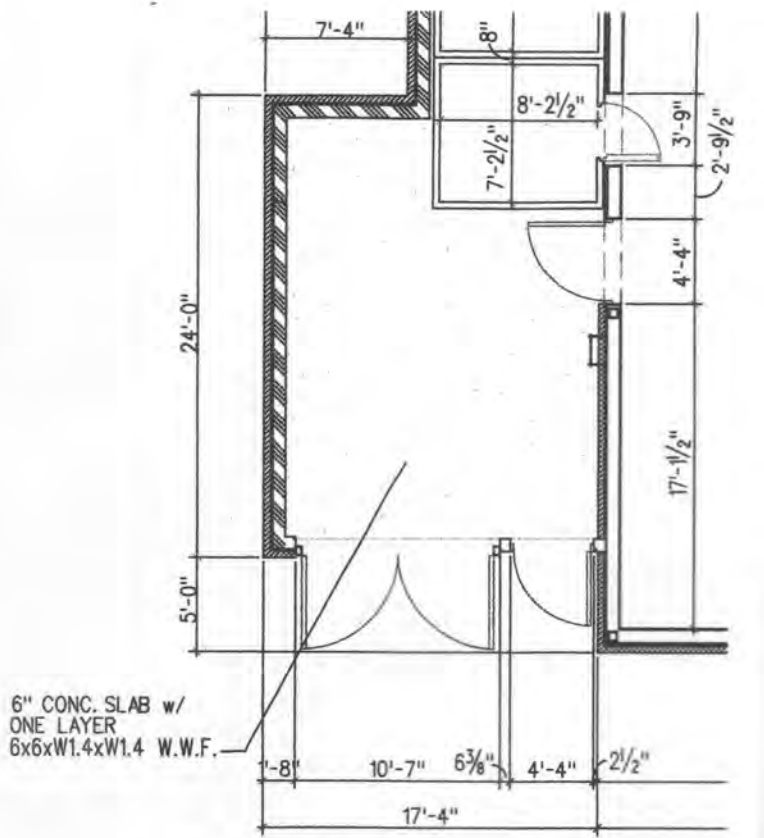


**STRAIGHT CURB RAMP - 6\"/>

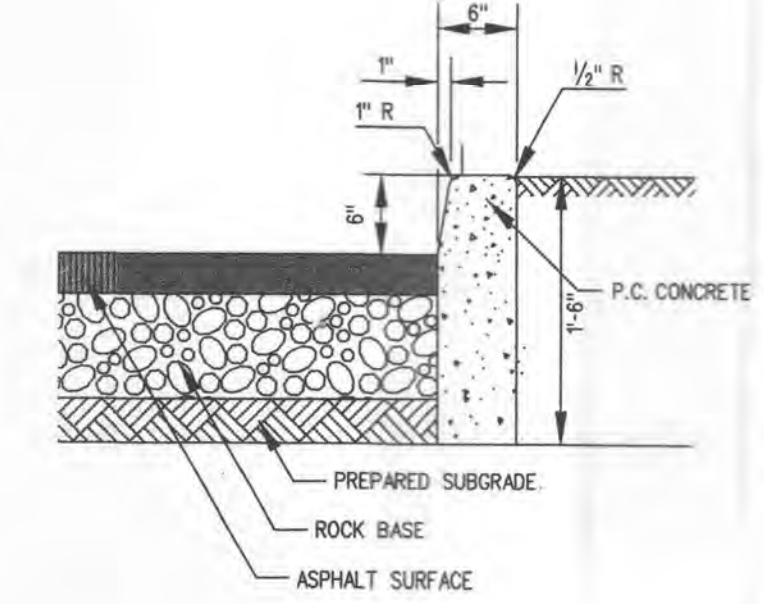
(TYPE 2)
N.T.S.**



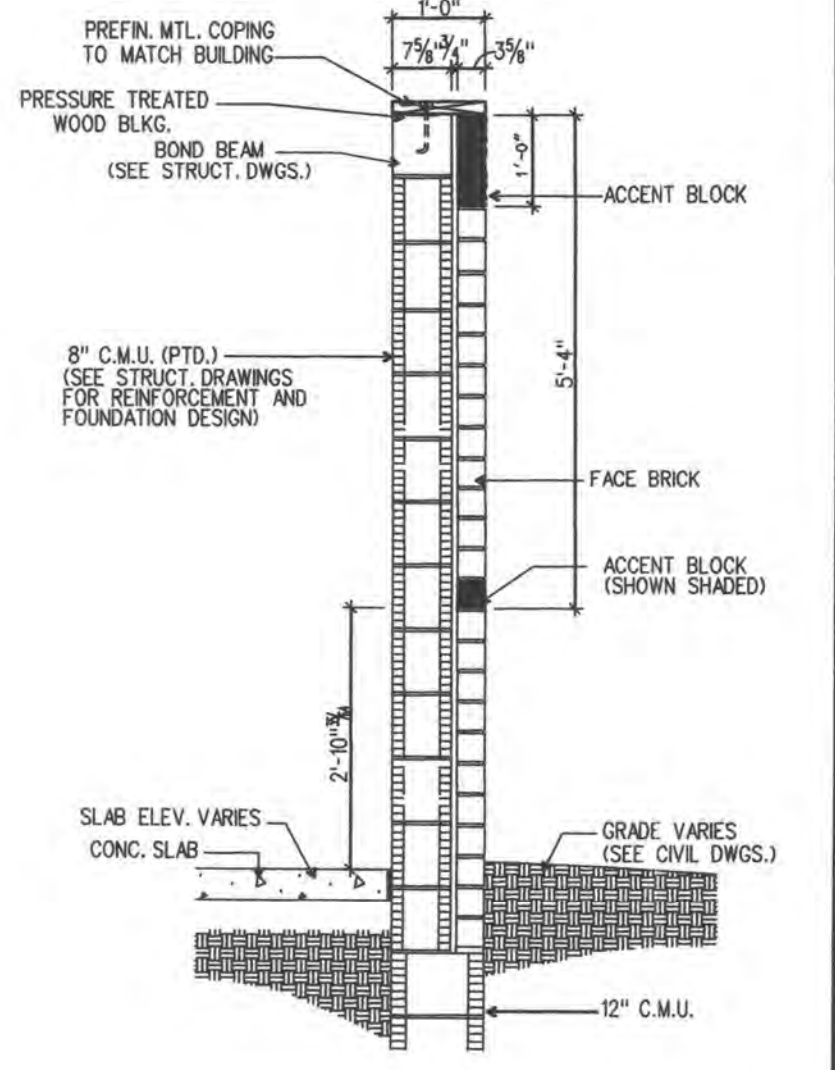
SIGHT-PROOF VINYL GATE
N.T.S.



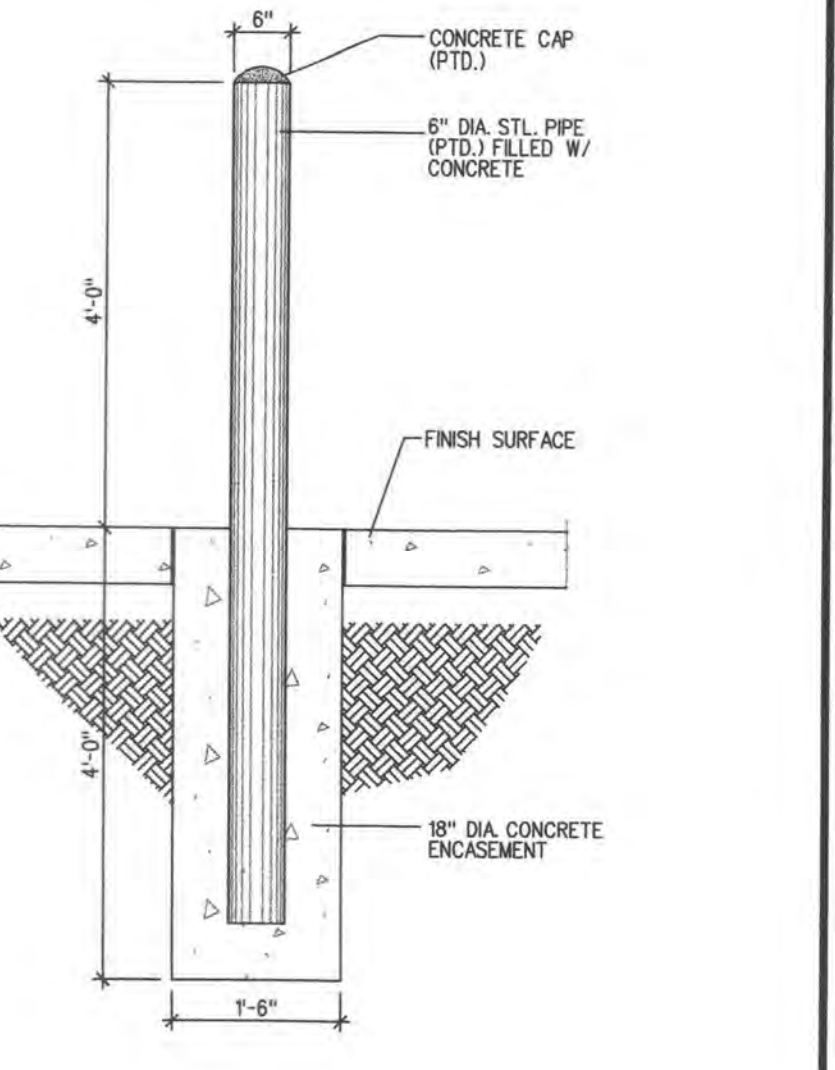
TRASH ENCLOSURE DETAIL (PLAN)
N.T.S.



CONCRETE CURB
N.T.S.



TRASH ENCLOSURE WALL SECTION
N.T.S.



TRASH ENCLOSURE PIPE BOLLARD DETAIL
N.T.S.

McEagle Development
100 HONOLULU SPRINGS PLACE
OTULALO, HI 96866
TEL: (808) 564-9900
FAX: (808) 564-9901

VOLZ

AT WINGHAVEN

BRISTOL

CONSTRUCTION DETAILS
Design By: JLF
Drawn By: JRS
Checked By: JLF
B5930-33
12-12-02
8