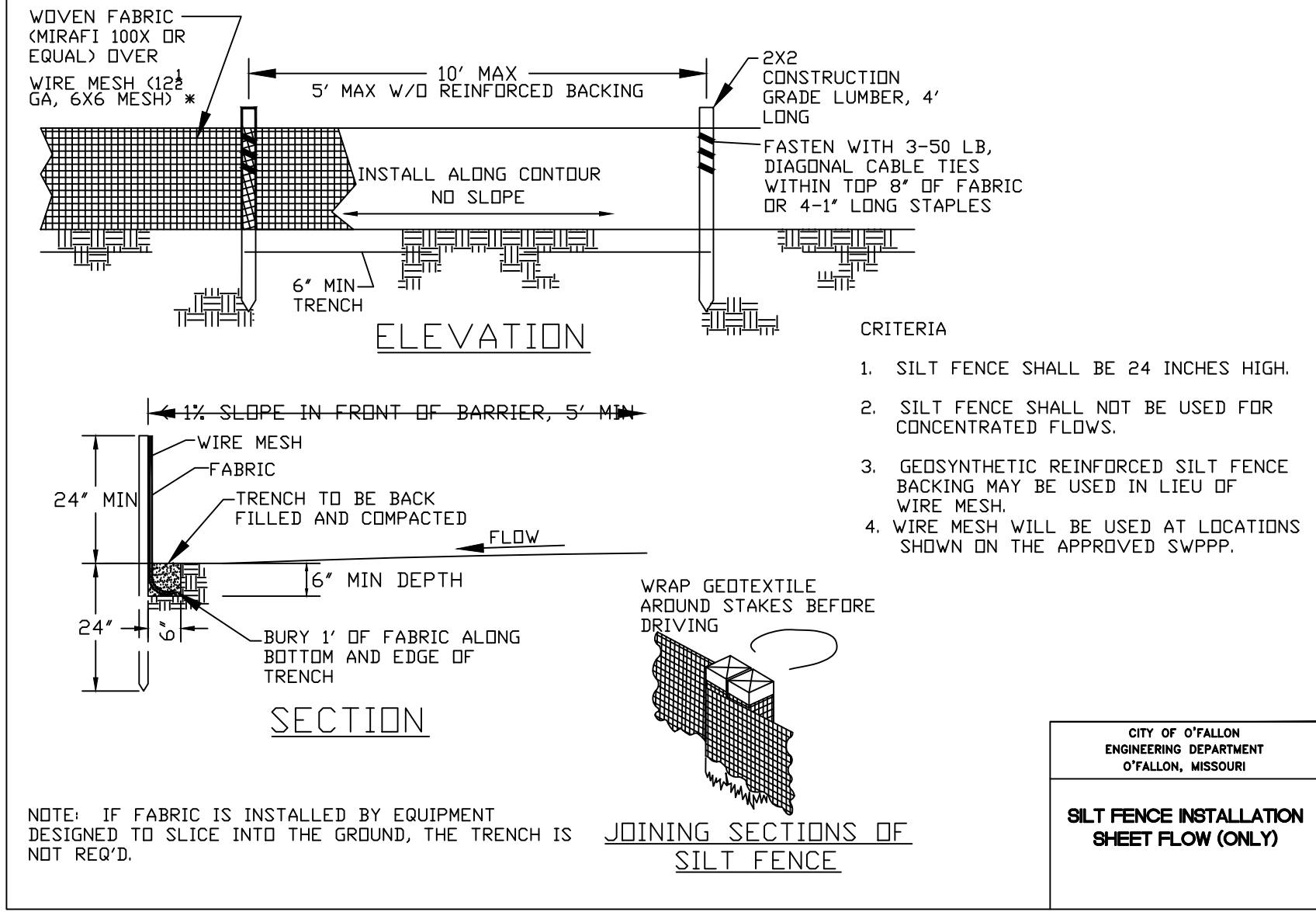
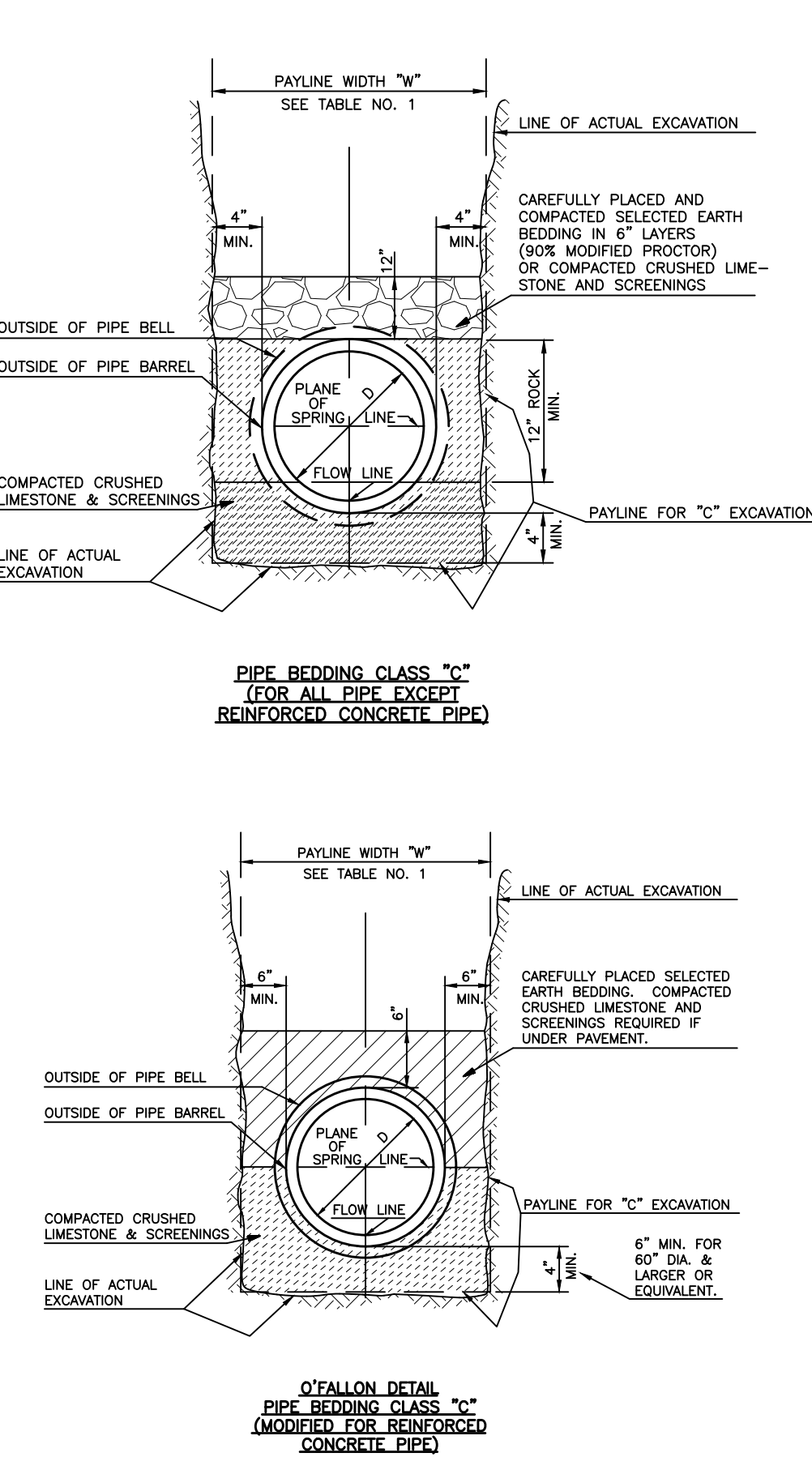
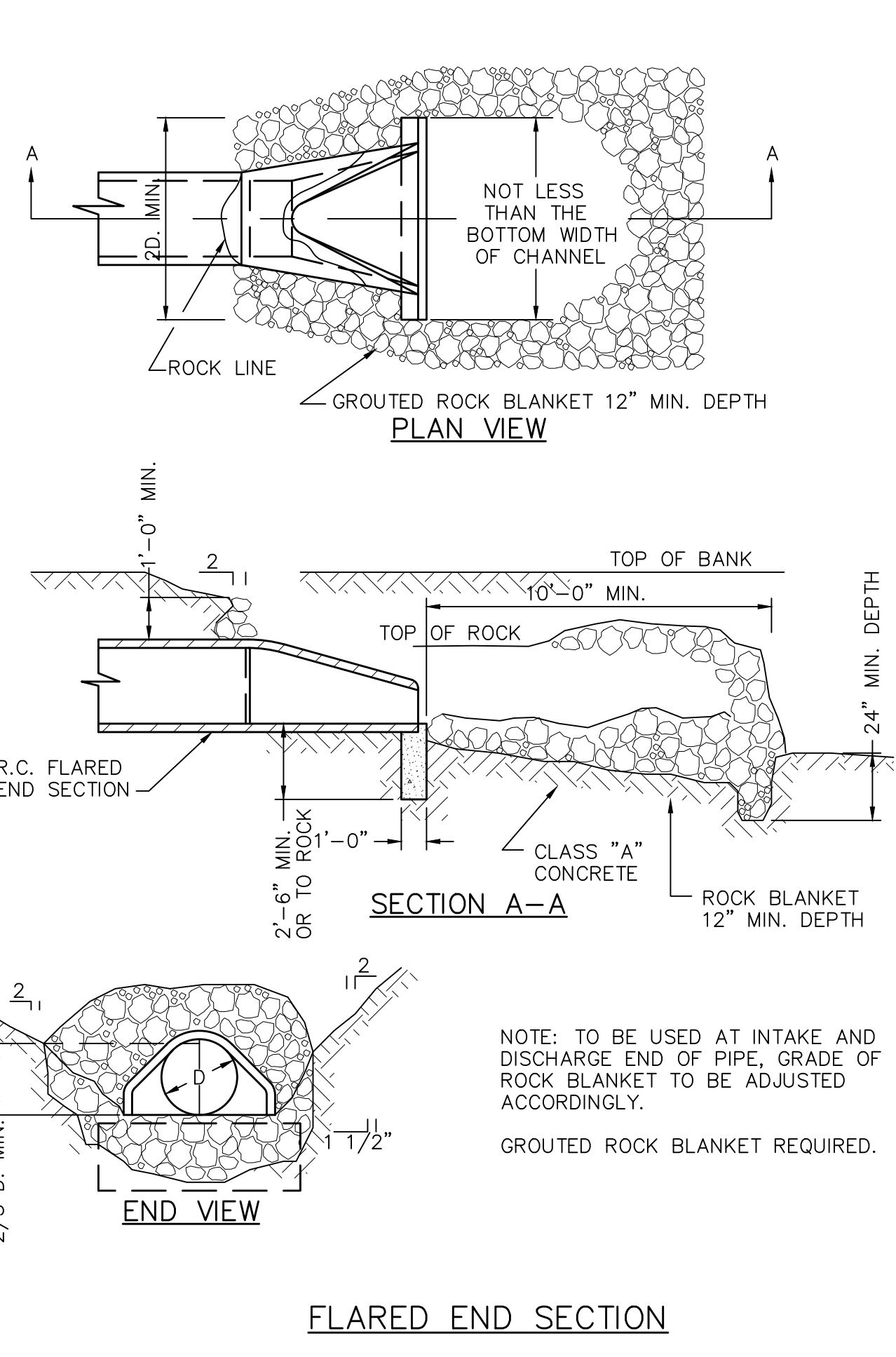


ROUND PIPE				HORIZONTAL ELLIPTICAL PIPE			
INSIDE DIAMETER OF PIPE (INCHES)	"W" PAYLINE WIDTH OF TRENCH (INCHES)	"W" PAYLINE WIDTH OF TRENCH (FEET)	PAY-VOLUMES CONCRETE CUL. FT. PER FT.	INSIDE DIMENSIONS OF PIPE (INCHES)	"W" PAYLINE WIDTH OF TRENCH (INCHES)	"W" PAYLINE WIDTH OF TRENCH (FEET)	PAY-VOLUMES CONCRETE ENCASUREMENT
4	30	2.50	3.28				
6	30	2.50	3.59				
8	30	2.50	3.87				
10	30	2.50	4.09				
12	30	2.50	4.25				
15	36	3.00	5.55				
18	36	3.00	5.77	14 x 23	41	3.42	5.94
21	39	3.25	6.61				
24	42	3.50	7.39	19 x 30	49	4.08	7.68
27	45	3.75	8.18	22 x 34	53	4.42	8.61
30	49	4.08	9.30	24 x 38	58	4.83	9.70
33	53	4.42	10.53	27 x 42	62	5.17	10.71
36	56	4.67	11.43	29 x 45	66	5.50	11.72
39	DISCONTINUED			32 x 49	71	5.92	13.14
42	63	5.25	13.38	34 x 53	75	6.25	14.05
48	70	5.83	15.67	38 x 60	83	6.92	16.18
54	77	6.42	18.15	43 x 68	92	7.67	18.81
60	84	7.00	20.73	48 x 76	101	8.42	21.59
66	91	7.58	23.45	53 x 83	109	9.08	24.35
72	98	8.17	26.37	58 x 91	118	9.83	27.45
78	105	8.75	29.39	63 x 98	126	10.50	30.50
84	112	9.33	32.57	68 x 106	135	11.25	33.91
90	119	9.92	35.90	72 x 113	143	11.92	36.99
96	126	10.50	39.37	77 x 121	152	12.67	40.69
102	133	11.08	42.99	82 x 128	160	13.33	44.45
108	140	11.67	46.75	87 x 136	168	14.00	47.79
114	147	12.25	50.66	92 x 143	176	14.67	51.70
120	154	12.83	54.72	97 x 151	185	15.42	56.01
126	161	13.42	58.92				
132	168	14.00	63.27	106 x 166	202	16.83	64.48
144	182	15.17	72.40	116 x 180	216	18.17	73.59

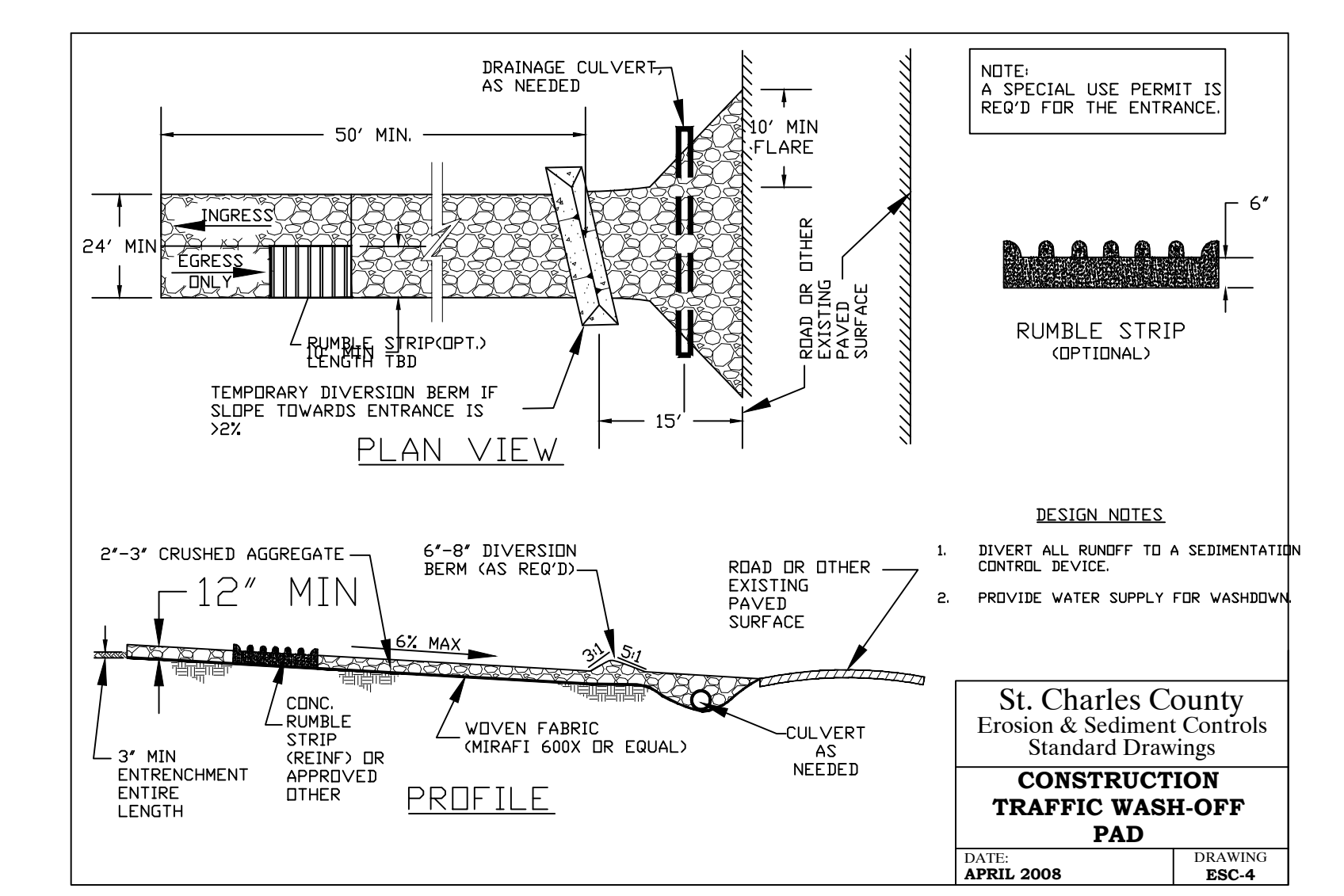
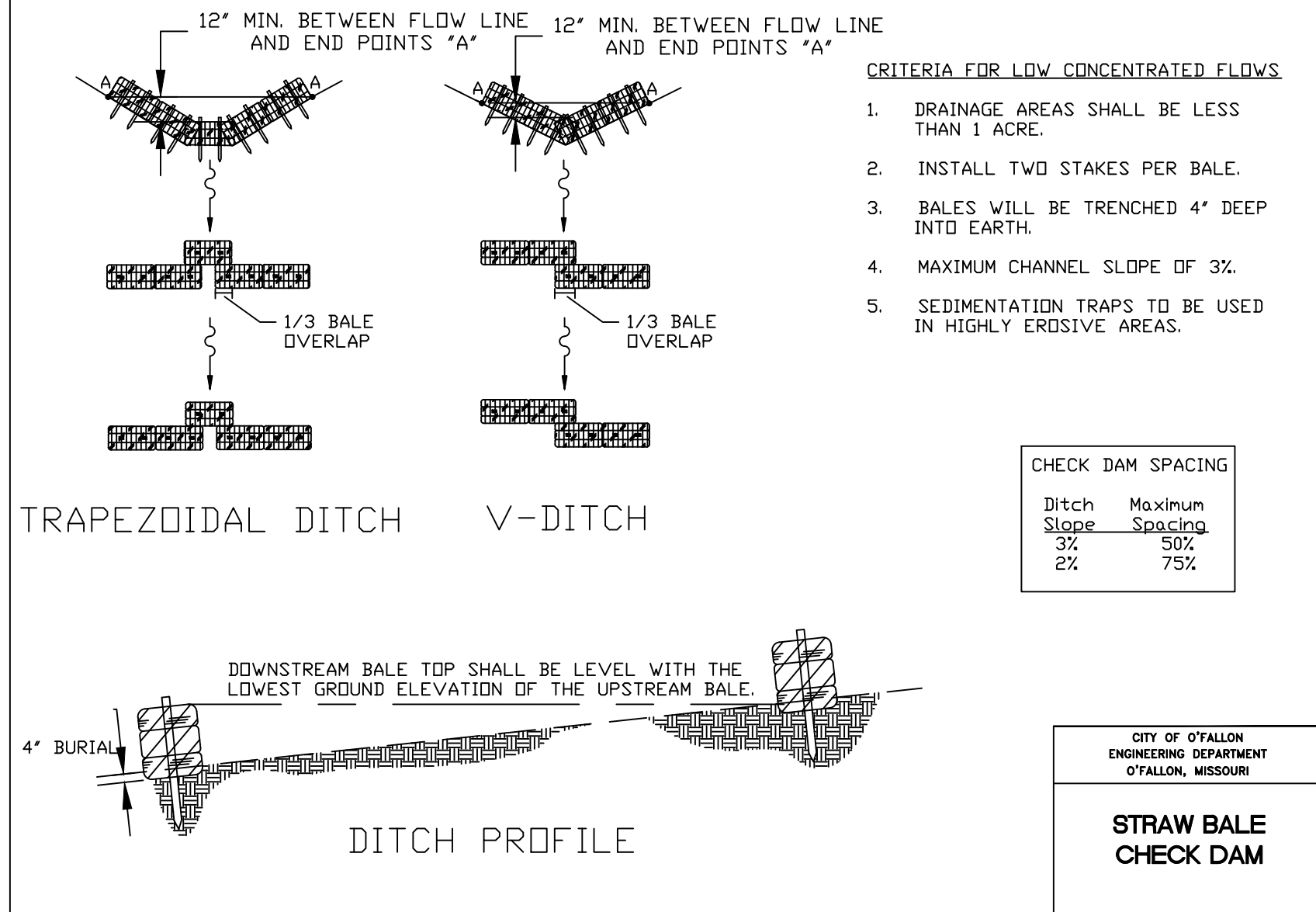
TABLE 1 PAYLINE WIDTHS OF TRENCH AND PAY-QUANTITIES OF CONCRETE

METROPOLITAN ST. LOUIS SEWER DISTRICT Standard Details of Sewer Construction

Dr. B.E.B. Ch. J.C.K. 2009 SHEET 1



- PWS# 2 NOTES:**
- ALL WATER SERVICE LINES, FIRE LINES, AND PRIVATE WATER MAINS MUST BE INSTALLED PER PWS# NO. 2'S SPECIFICATIONS.
 - PWS# NO. 2 REQUIRES ONE (1) WEEK NOTICE PRIOR TO THE START OF CONSTRUCTION.
 - ALL METER PITS/VAULTS ARE TO BE INSTALLED IN GREEN SPACE PER PWS# NO. 2 SPECIFICATIONS.
 - IT IS THE CONTRACTOR'S RESPONSIBILITY TO OBTAIN ALL MDDOT AND CITY PERMITS REQUIRED TO WORK ALONG THE ROADWAYS. COPIES OF ALL REQUIRED PERMITS SHALL BE PROVIDED TO PWS# NO. 2 PRIOR TO CONSTRUCTION.
 - ALL OFFSITE RESTORATION MUST BE REPAIRED WITH SOD UNLESS OTHERWISE REQUESTED FROM THE PROPERTY OWNERS.
 - THE PROPOSED PRIVATE WATER SYSTEM WILL REQUIRE TESTING PER PWS# NO. 2 SPECIFICATIONS BEFORE IT IS ALLOWED INTO SERVICE.



ENGINEER SEAL DOES NOT APPLY TO PWS#2, MSD, CITY OF O'FALLON AND ST. CHARLES COUNTY DETAILS

PROJECT TITLE:
Construction Plans For A
Brock's Tree Service
1850 West Terra Lane
O'Fallon, Missouri 63366

ENGINEERING PLANNING SURVEYING
221 Point West Blvd.
St. Charles, MO 63301
636-928-5562
FAX 636-928-1718

DISCLAIMER OF RESPONSIBILITY:
I hereby specify that the documents intended to be authorized by my seal are limited to this sheet, and I hereby disclaim any responsibility for all other Drawings, Specifications, Estimates, Reports or other documents or instruments relating to or intended to be used for any part or parts of the architectural or engineering project.

STATE OF MISSOURI
DAVID WALKER
Professional Engineer
No. 201000069
Lore D. Walker
Civil Engineer
2007020343
Copyright 2023
Box Engineering Company, Inc.
Authority No. 000955
All Rights Reserved

REVISIONS

09-11-23	CITY COMMENTS
09-26-23	CITY COMMENTS
10-11-23	CITY COMMENTS

Developer / Owner:
BROCK'S TREE SERVICE
8 OAK RIDGE COURT
O'Fallon, MO 63366
(314) 267-2239

CONSTRUCTION DETAILS

P+Z No. 23-000680
Approval Date: 03-02-23
City No. #
Page No. 12 of 13

Issue Date: 03/21/2023
Box Project # 05-24666B