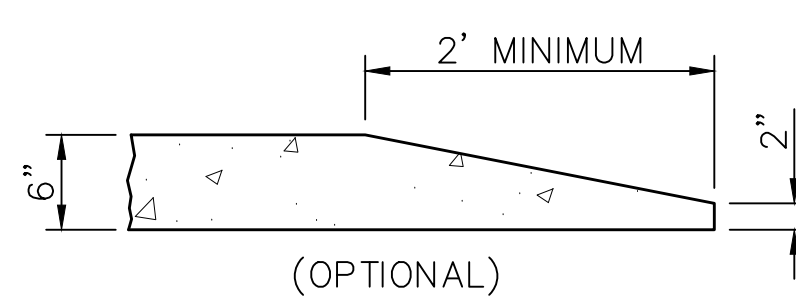


TYPE "A" INTEGRAL CURB
N.T.S.

* ALL GRANULAR ROLLED STONE BASE UNDER PROPOSED CONCRETE MUST BE COMPACTED TO 100% OF THE MAXIMUM DENSITY AS DETERMINED BY THE STANDARD PROCTOR TEST AASHTO T-99. CONCRETE COMPRESSIVE STRENGTH SHALL BE 4000 PSI IN 28 DAYS.



CURB TERMINUS
DETAIL

Entrance Detail
SCALE: 1"=10'

- LEGEND:
- 8" CONCRETE OVER 5" ROCK
 - 4" ASPHALT OVER 8" ROCK
 - 2" (3/4" MINUS) OVER 5" (2" MINUS) ROCK

- ENTRANCE DETAIL NOTES:
1. ALL ELEVATIONS ARE TOP OF PAVEMENT.
 2. ALL DIMENSIONS ARE TO FACE OF CURB.
 3. "*" DENOTES EXISTING ELEVATION.

CROSS SECTION	CONDITION		TREATMENT	SIGN	
	DIFFERENTIAL	TIME		MAIN LINE (1)	SIDE ROAD (2)
EDGE DROP-OFF 1/4" SLOPE OR FLATTER	PAVEMENT EDGE DIFFERENTIAL > 2" TO ≤ 3"	NON-WORKING HOURS	WEDGE SLOPE TO 1/4" SLOPE OR FLATTER		NO SIGNS REQUIRED
		WORKING HOURS	NO EDGE TREATMENT REQUIRED		NO SIGNS REQUIRED
1/4" SLOPE OR FLATTER	PAVEMENT EDGE DIFFERENTIAL > 2" TO ≤ 3"	NON-WORKING HOURS	WEDGE SLOPE TO 1/4" SLOPE OR FLATTER		NO SIGNS REQUIRED
		WORKING HOURS	NO EDGE TREATMENT REQUIRED		NO SIGNS REQUIRED
1/4" SLOPE OR FLATTER	PAVEMENT EDGE DIFFERENTIAL > 3"	NON-WORKING HOURS	WEDGE SLOPE TO 1/4" SLOPE OR FLATTER		
		WORKING HOURS	DELINEATE DIFFERENTIAL WITH CHANNELIZERS		
10" MIN. ALL HEIGHTS	ANY PAVEMENT EDGE OR LANE LINE DIFFERENTIAL	NON-WORKING HOURS	WHERE PLANS REQUIRE ADJACENT LANE CLOSURE WITH CHANNELIZATION OR PARTIAL LANE CLOSURE WITH BARRIERS.		
		WORKING HOURS	NO EDGE TREATMENT REQUIRED		
LANE LINE	LANE LINE DIFFERENTIAL ≤ 2"	NON-WORKING AND WORKING HOURS	NO EDGE TREATMENT REQUIRED		NO SIGNS REQUIRED
		NON-WORKING AND WORKING HOURS	WEDGE SLOPE TO 1/4" SLOPE OR FLATTER		
LANE LINE	LANE LINE DIFFERENTIAL > 2"	NON-WORKING AND WORKING HOURS	DELINEATE DIFFERENTIAL WITH CHANNELIZERS		
		NON-WORKING AND WORKING HOURS	DELINEATE DIFFERENTIAL WITH CHANNELIZERS		

(1) SIGNS SHALL BE SPACED AT APPROXIMATELY ONE MILE INTERVALS AND LOCATED WITHIN 150 FT. BEHIND ANY STATE ROADWAY. WHEN A SIGN PLACED AT THE MILE INTERVAL FALLS WITHIN 175' MILE OF ONE MILE PLACED AFTER AN INTERSECTION, THE SIGN PLACED AT THE 1/2 MILE INTERVAL MAY BE OMITTED. WHEN SHOULDER DROP-OFF SIGNS WITH ONE-WAY LANES ARE BOTH SPECIFIED, ALTERNATING SIGN MESSAGES SHALL BE USED AT 1 MILE SPACINGS.

(2) ON SIDE ROADS WITH POSTED SPEED OF 45 MPH OR GREATER, SIGNS SHALL BE PLACED 150 FT. IN ADVANCE OF INTERSECTION WITH MAINLINE.

(3) SIGNS SHALL BE LOCATED ON THE SIDE OF THE ROADWAY WHERE THE PAVEMENT EDGE DIFFERENTIAL EXISTS.

(4) SIGNS TO REMAIN VISIBLE UNTIL SHOULDER SHAPING IS COMPLETE.

(5) SIGNS SHALL BE LOCATED ON RIGHT SIDE OF NON-DIVIDED HIGHWAYS AND ON BOTH SIDES OF DIVIDED HIGHWAYS WHERE A LANE LINE DIFFERENTIAL EXISTS.

(6) WHEN THE SHOULDER DROP-OFF SIGNS ARE IN PLACE FOR GREATER THAN THREE DAYS, THE SHOULDER DROP-OFF PLAGE SHOULD BE USED IN ADDITION WITH THE SHOULDER DROP-OFF SIGN.

LEGEND:
 - RIGID PAVEMENT
 - FLEXIBLE PAVEMENT
 - ALL PAVEMENT TYPES

GENERAL NOTES:
 SIGNS SHALL BE VISIBLE TO TRAFFIC ONLY WHEN AND WHERE CONDITIONS EXIST.
 FOR ADDITIONAL SIGN SPACING AND DETAILS SEE STANDARD PLAN 820-10.

MISSOURI HIGHWAYS AND TRANSPORTATION COMMISSION
 FOR BEST COPY CALL 1-800-455-4662
 1-888-455-4662 (T-888-455-4662)

PAVEMENT EDGE TREATMENT
 DATE EFFECTIVE: 10/01/2017
 DATE PREPARED: 8/9/2017
 619.10J
 SHEET NO. 1 OF 1

TYPICAL GATE DETAIL
 NO SCALE



CALL BEFORE
YOU DIG!
1-800-DIG-RITE

PROJECT TITLE:
Construction Plans For A
Brock's Tree Service
1850 West Terra Lane
O'Fallon, Missouri 63366

ENGINEERING
PLANNING
SURVEYING

221 Point West Blvd.
St. Charles, MO 63301
636-928-5562
FAX: 928-1718

DISCLAIMER OF RESPONSIBILITY:
I, hereby specify that the documents intended to be authorized by my seal are limited to this sheet, and I hereby disclaim any responsibility for all other drawings, specifications, estimates, reports or other documents or instruments relating to or intended to be used for any part or parts of the architectural or engineering project.

STATE OF MISSOURI
 I, DAVID WALKER
 NUMBER 0000000000
 EXPIRES 02/28/2026
 PROFESSIONAL ENGINEER
 (0000000000) 23
 David D. Walker
 Civil Engineer
 2007020343
 Copyright 2023
 Brock Engineering Company, Inc.
 Authority No. 000055
 All Rights Reserved

REVISIONS

09-11-23	CITY COMMENTS
09-26-23	CITY COMMENTS
10-11-23	CITY COMMENTS

Developer / Owner:
BROCK'S TREE SERVICE
8 OAK RIDGE COURT
O'Fallon, MO 63366
(314) 267-2239

P+Z No. 23-000680
 Approval Date: 03-02-23
 City No. #
 Page No.

ENTRANCE DETAIL

9 of 13

UNDERGROUND UTILITIES HAVE BEEN PLOTTED FROM AVAILABLE INFORMATION AND THEREFORE THEIR LOCATIONS SHALL BE CONSIDERED APPROXIMATE ONLY. THE VERIFICATION OF THE LOCATION OF ALL UNDERGROUND UTILITIES, EITHER SHOWN OR NOT SHOWN ON THESE PLANS SHALL BE THE RESPONSIBILITY OF THE CONTRACTOR, AND SHALL BE LOCATED PRIOR TO ANY GRADING OR CONSTRUCTION OF THE IMPROVEMENTS.