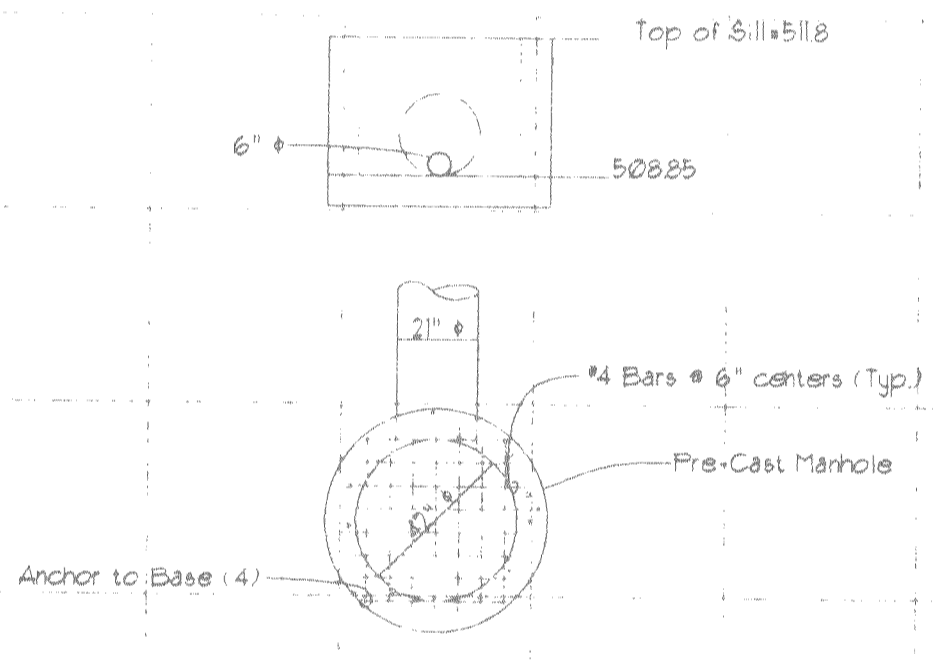
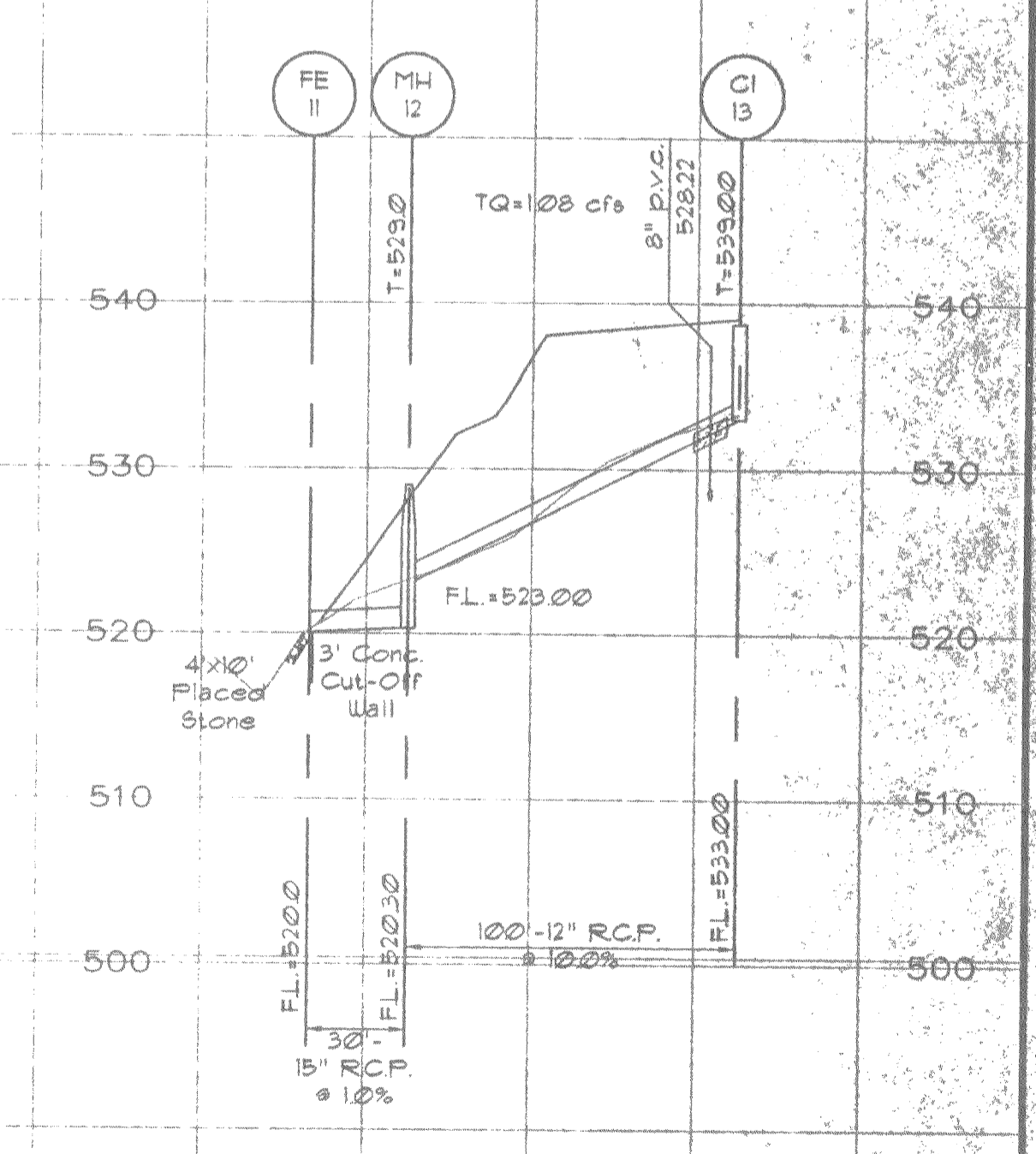
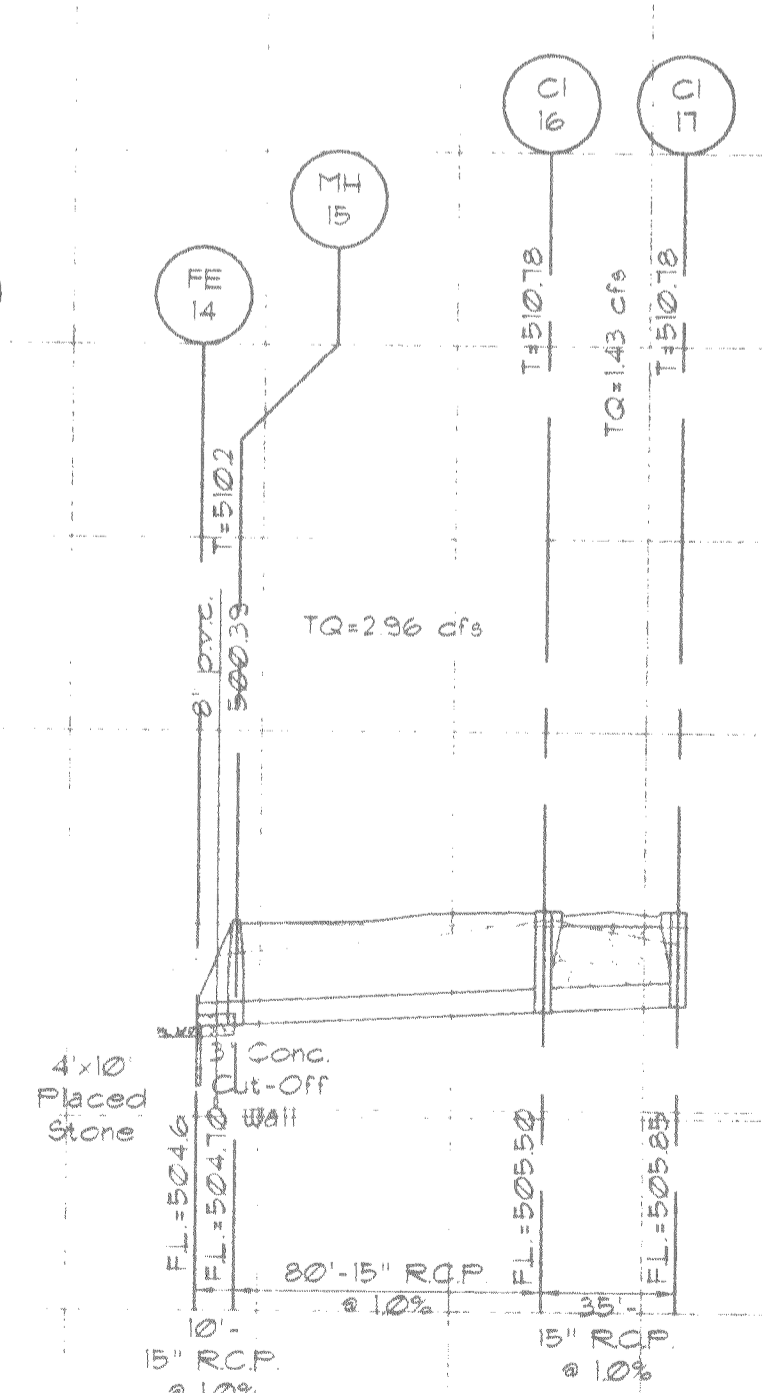
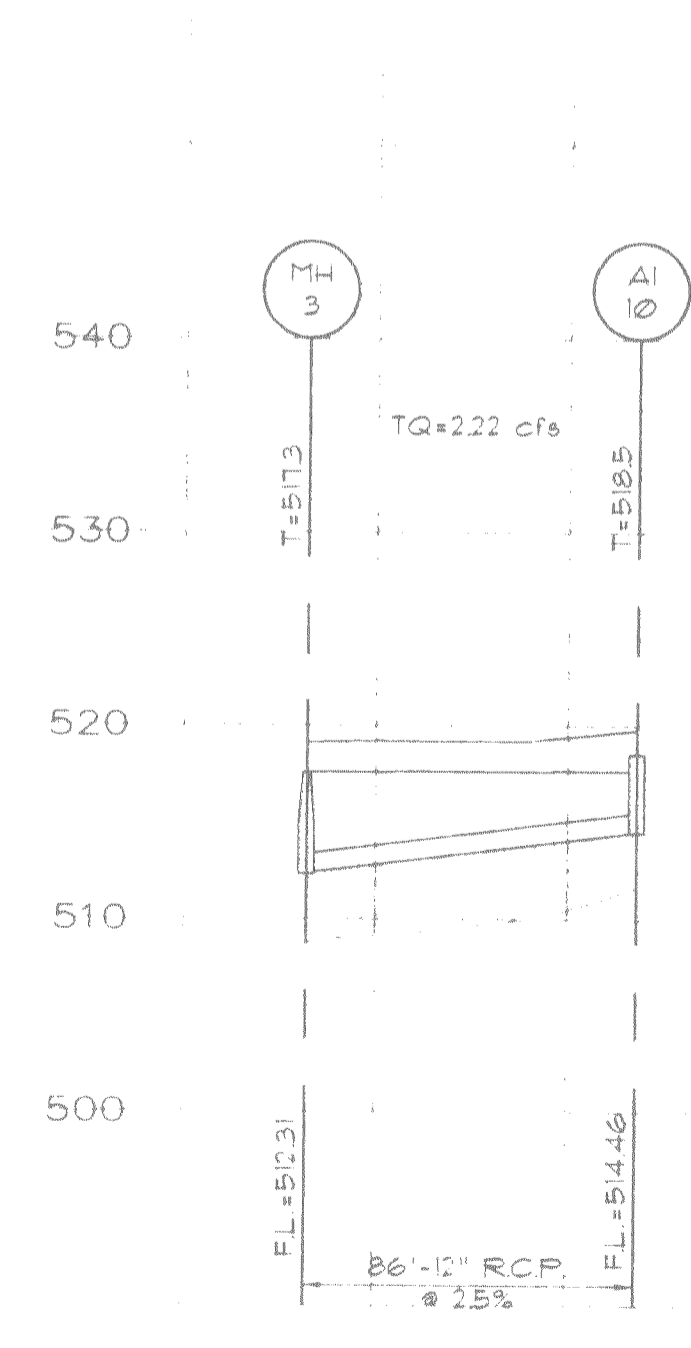
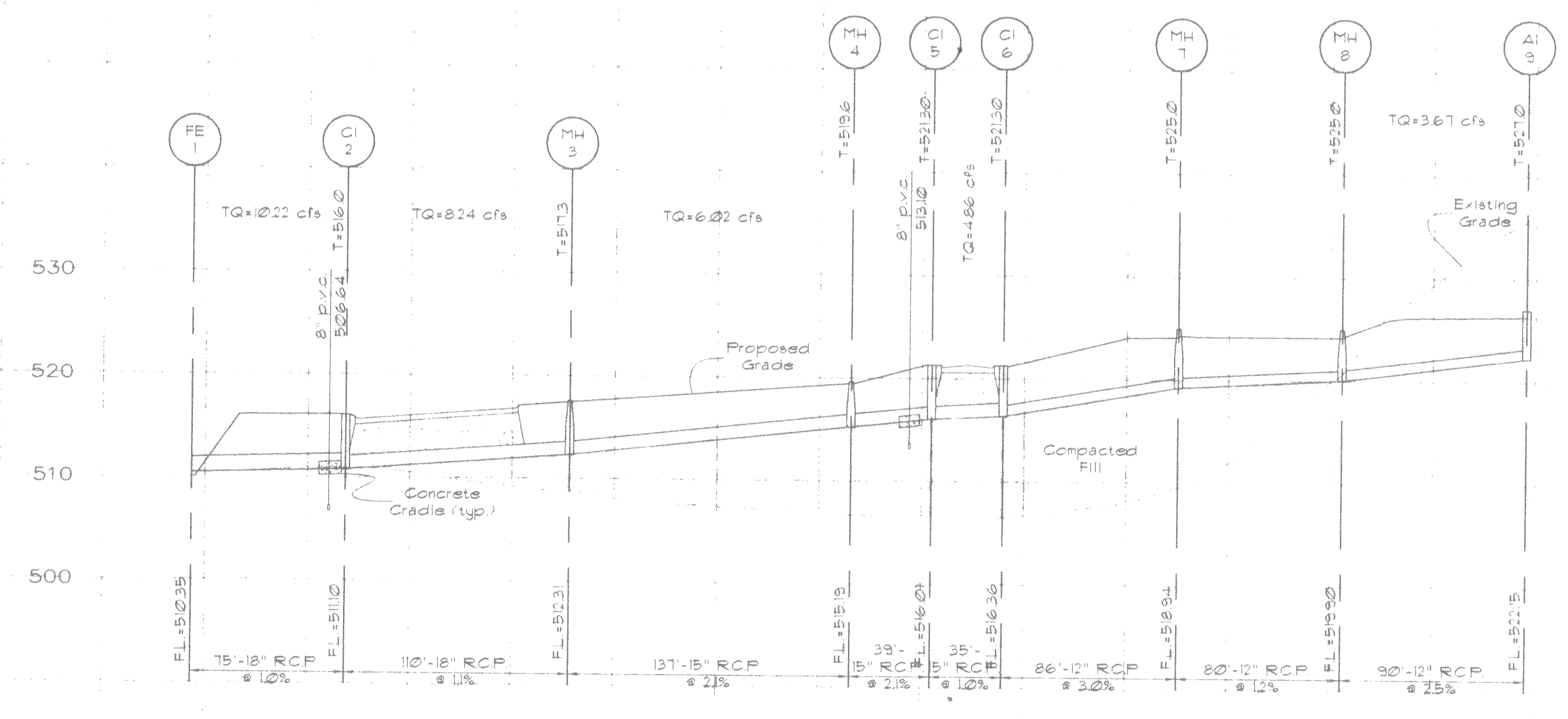
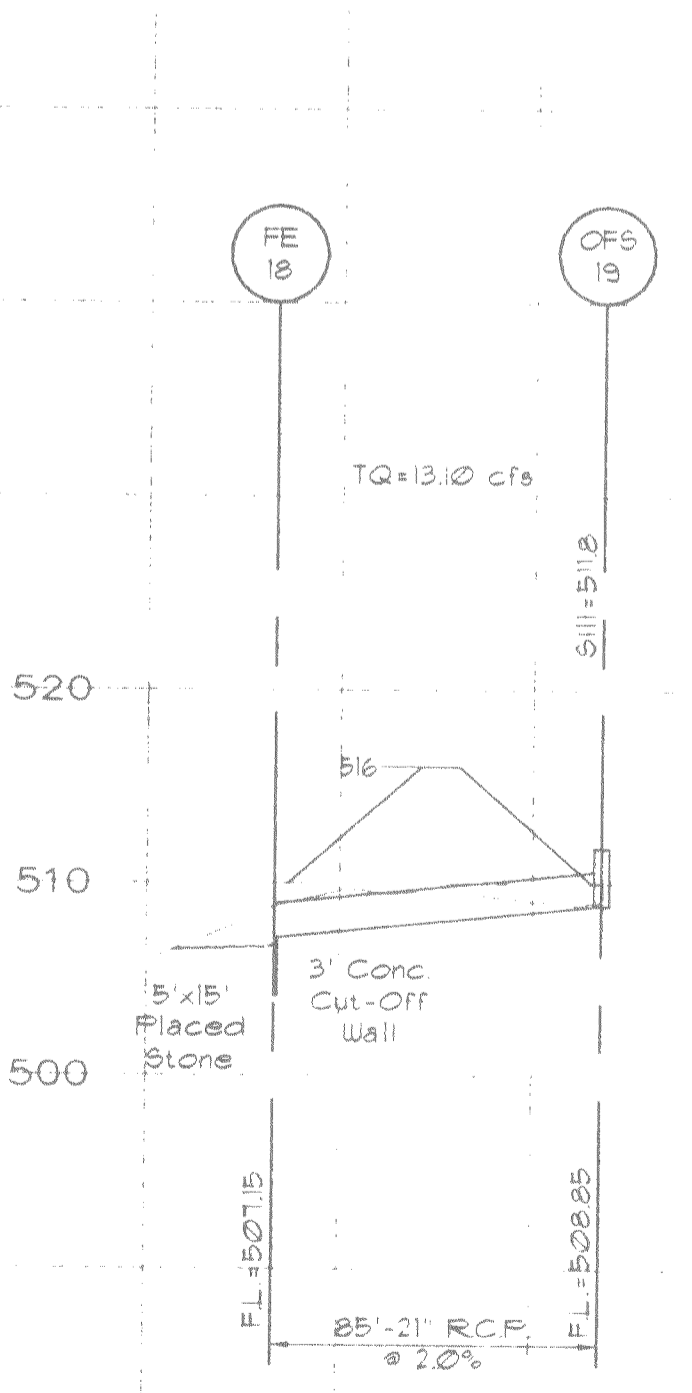


OFS 35 Detail
n.t.s.



OFS 19 Detail
n.t.s.

If the storm & sanitary sewer are parallel & in the same trench or overdig, the upper pipe shall be placed on a shelf & the lower pipe shall be bedded in compacted granular fill to the flow line of the upper pipe.



Horizontal Scale: 1"=50'
Vertical Scale: 1"=10'