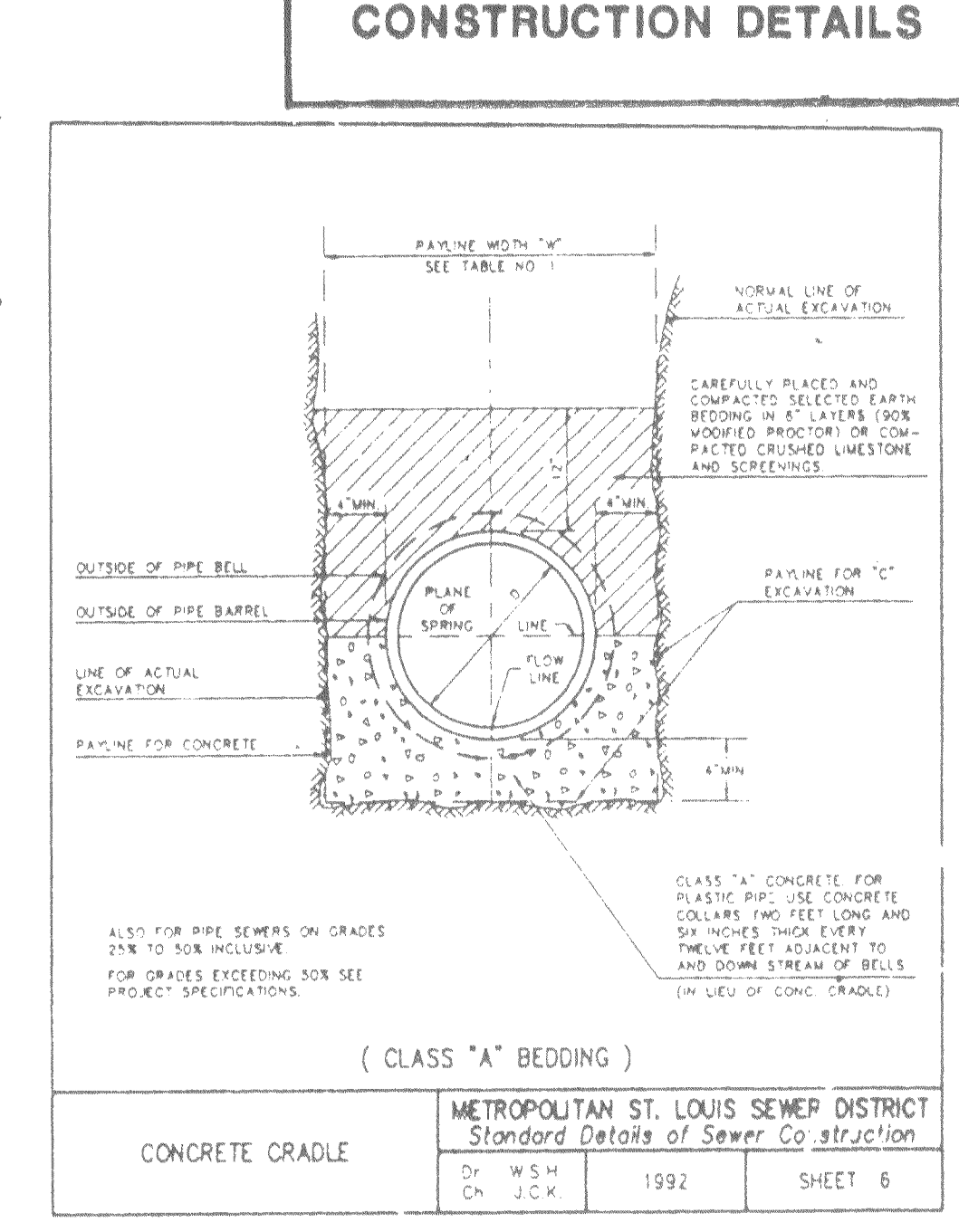
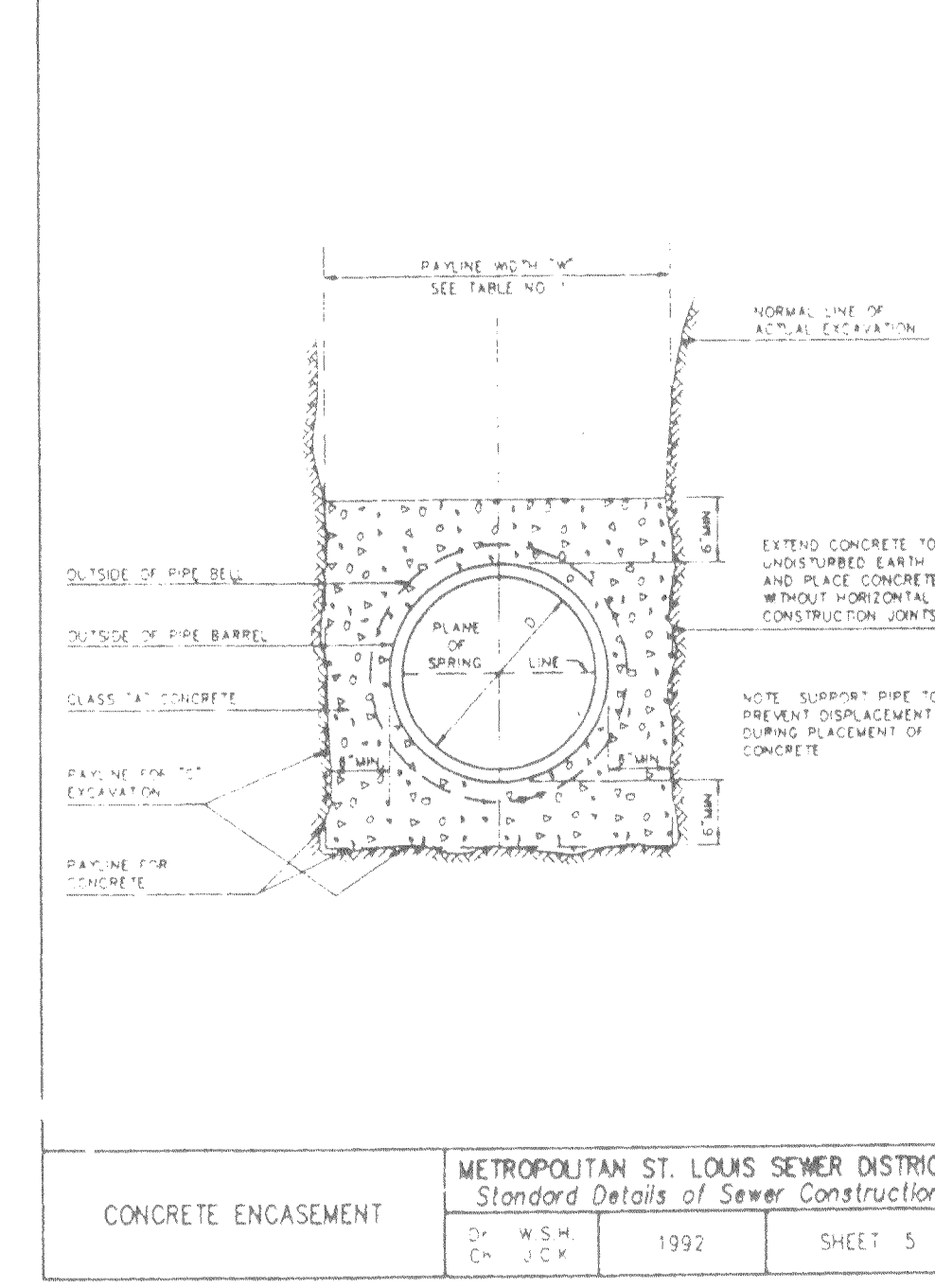
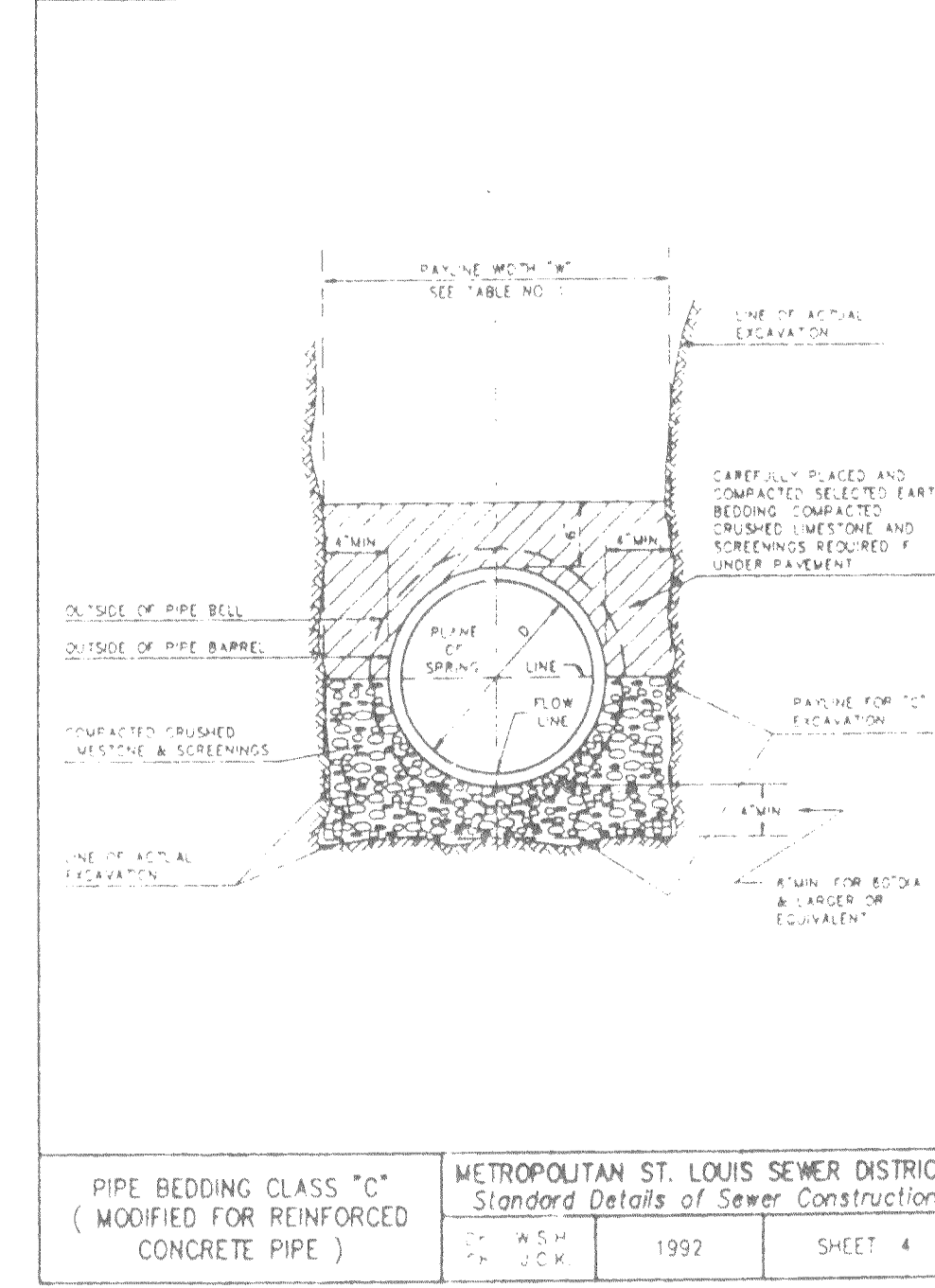
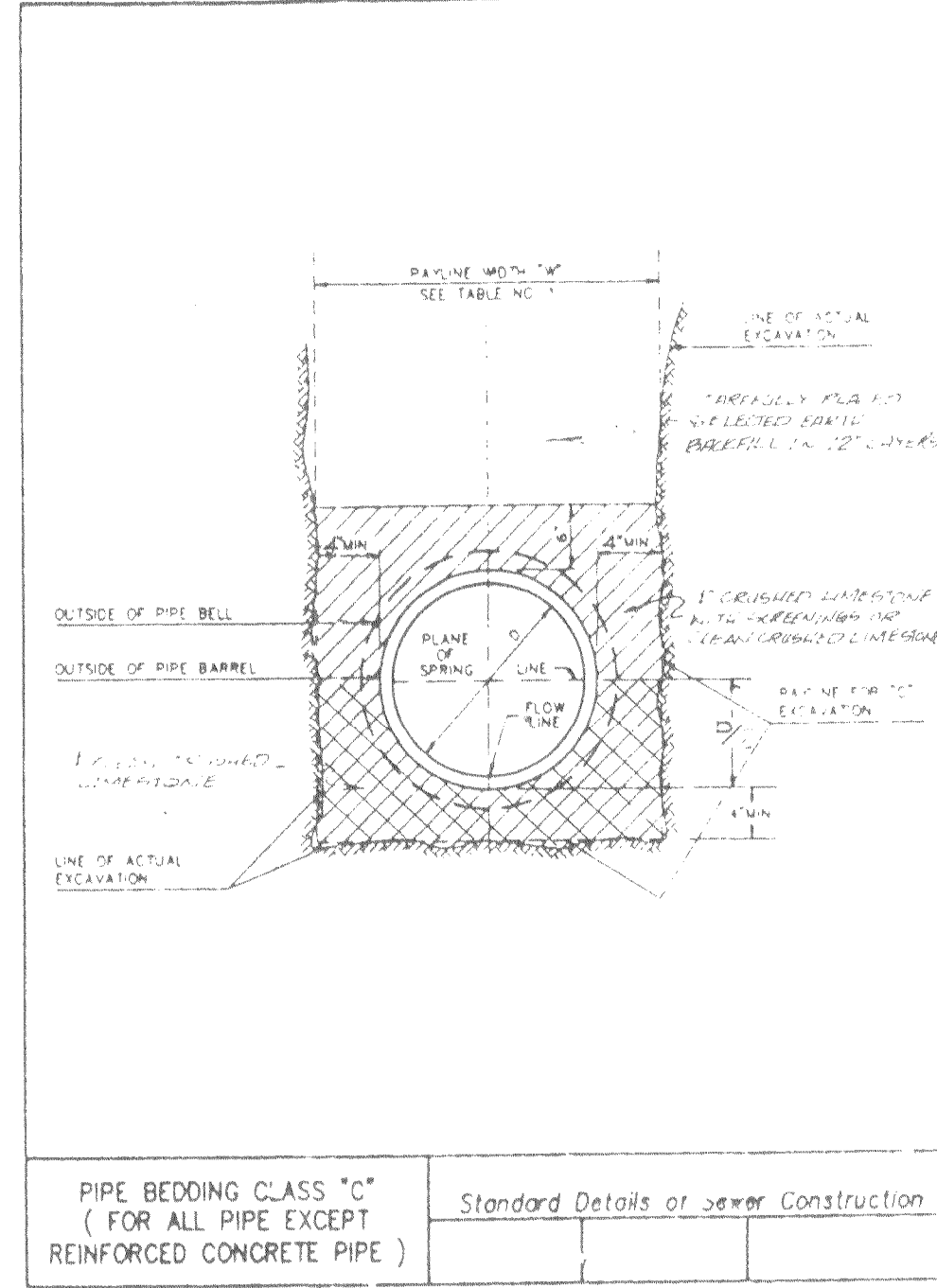
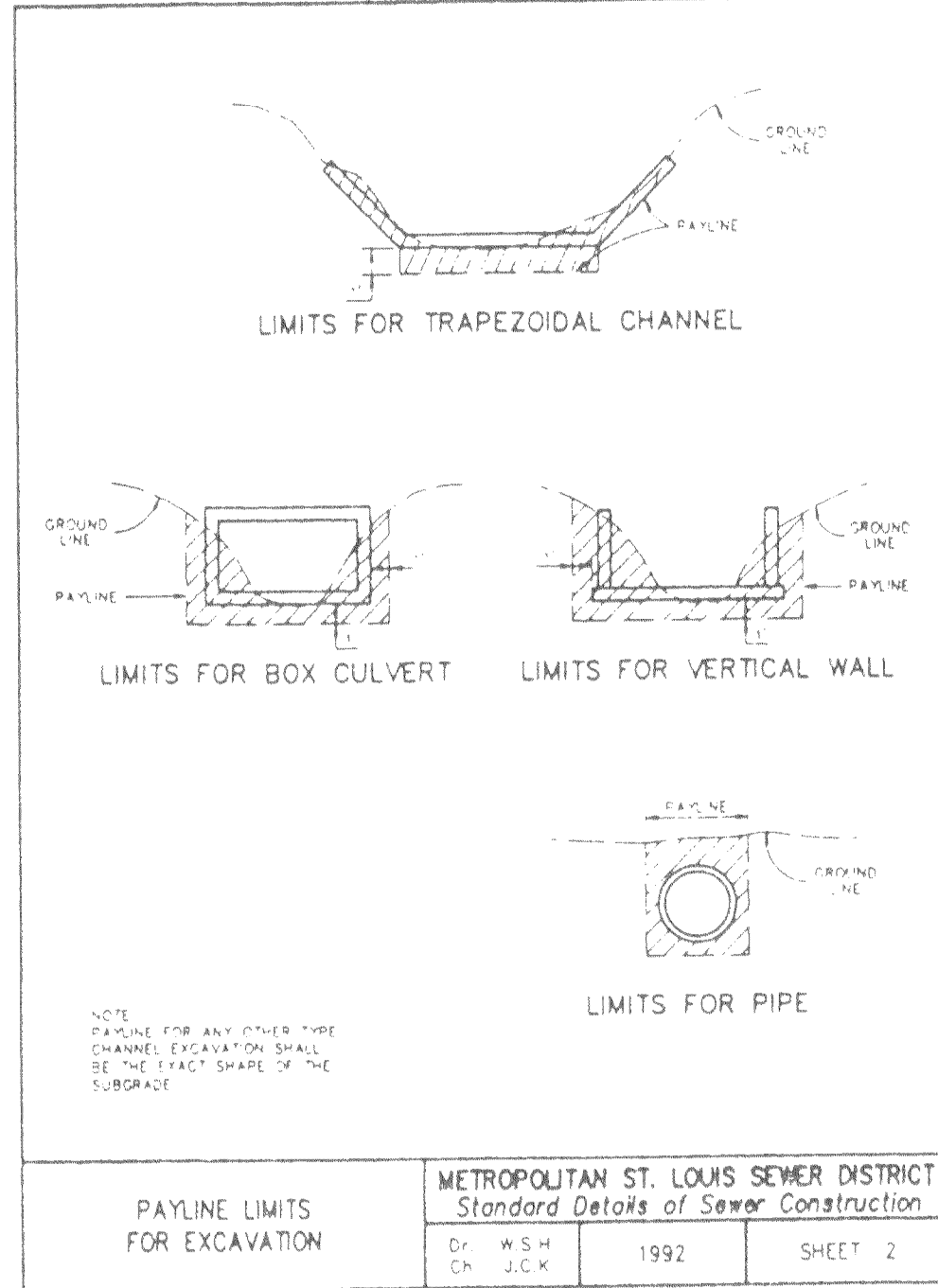


ROUND PIPE				HORIZONTAL ELLIPTICAL PIPE			
INSIDE DIAMETER OF PIPE (INCHES)	"W" PAYLINE WIDTH OF TRENCH (INCHES)	"M" PAYLINE WIDTH OF TRENCH (INCHES)	PAY-VOLUMES (CU. FT. PER FT. CONCRETE ENCASUREMENT)	"W" PAYLINE WIDTH OF TRENCH (INCHES)	"M" PAYLINE WIDTH OF TRENCH (FEET)	PAY-VOLUMES (CU. FT. PER FT. CONCRETE ENCASUREMENT)	
4	30	2.50	3.28				
6	30	2.50	3.59				
8	30	2.50	3.97				
10	30	2.50	4.09				
12	30	2.50	4.25				
15	38	3.00	5.55				
18	38	3.00	5.77	14" x 23"	4'	3.42	5.84
21	38	3.25	6.81				
24	42	3.50	7.39	19" x 30"	4'	4.08	7.88
27	42	3.75	8.18	22" x 34"	5'	4.42	8.81
30	49	4.08	9.30	24" x 38"	5'	4.83	9.70
33	53	4.42	10.53	27" x 42"	6'	5.17	10.71
36	56	4.87	11.43	29" x 45"	6'	5.50	11.72
39				32" x 49"	7'	5.92	13.04
42	63	5.25	13.38	34" x 53"	7'	6.25	14.05
48	70	5.83	15.87	38" x 60"	8'	6.92	16.18
54	77	6.42	18.15	42" x 68"	9'	7.61	18.81
60	84	7.00	20.73	48" x 78"	10'	8.42	21.59
66	91	7.58	23.45	53" x 83"	10'	9.08	24.35
72	98	8.17	26.37	58" x 91"	11'	9.83	27.45
78	105	8.75	29.39	63" x 98"	11'	10.50	30.50
84	112	9.33	32.57	68" x 106"	12'	11.25	33.91
90	119	9.92	35.90	72" x 113"	12'	11.92	36.89
96	126	10.50	39.37	77" x 121"	13'	12.67	40.88
102	133	11.08	42.98	82" x 129"	13'	13.35	44.45
108	140	11.67	46.73	87" x 137"	14'	14.00	47.70
114	147	12.25	50.68	92" x 145"	14'	14.67	50.72
120	154	12.83	54.72	97" x 153"	15'	15.42	53.81
126	161	13.42	58.92	102" x 161"	15'	16.17	57.59
132	168	14.00	63.27	106" x 168"	16'	16.83	61.48
144	182	15.17	72.40	116" x 180"	18'	18.17	73.59

TABLE 1
PAYLINE WIDTHS OF TRENCH AND PAY-QUANTITIES OF CONCRETE

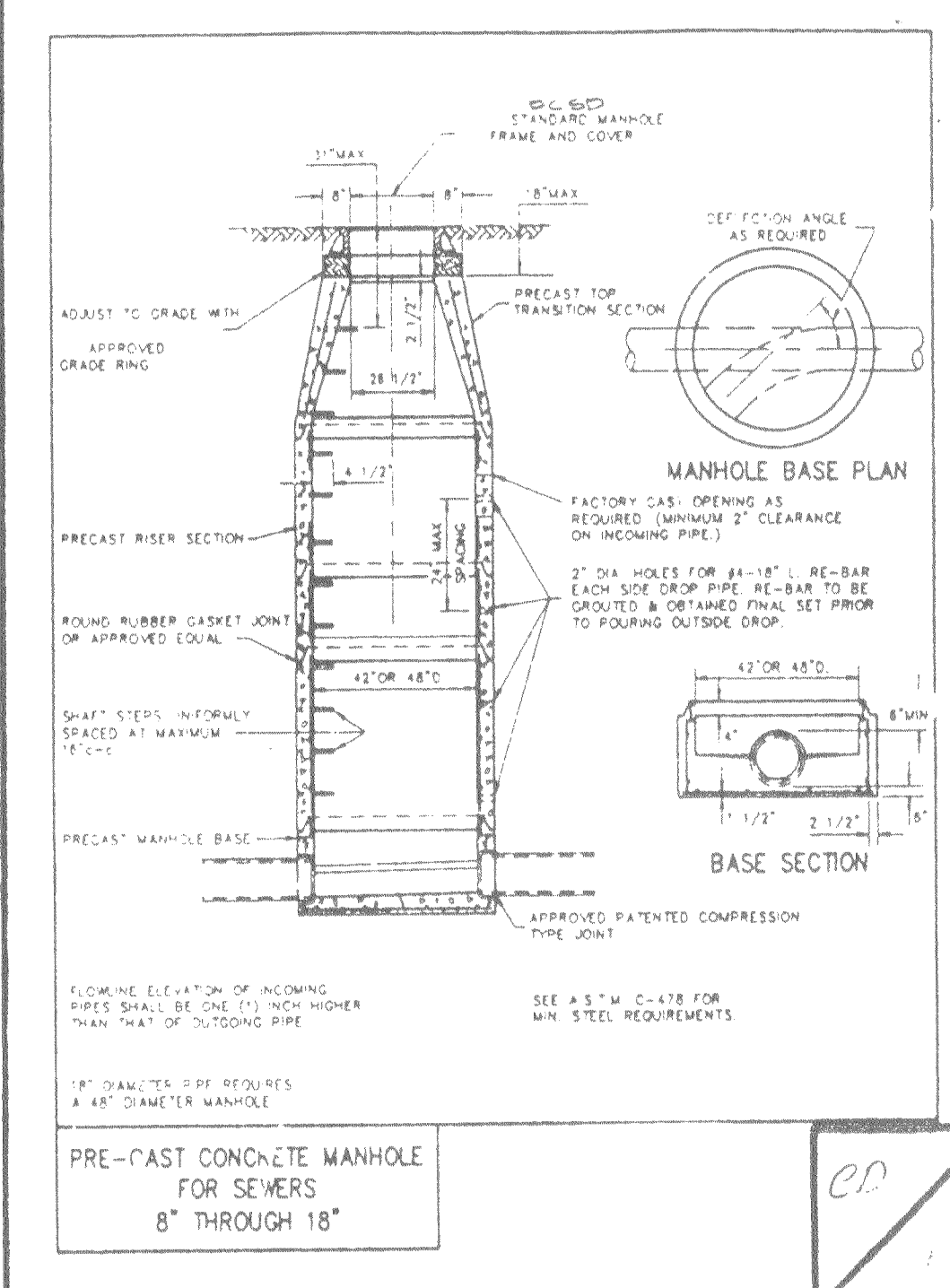
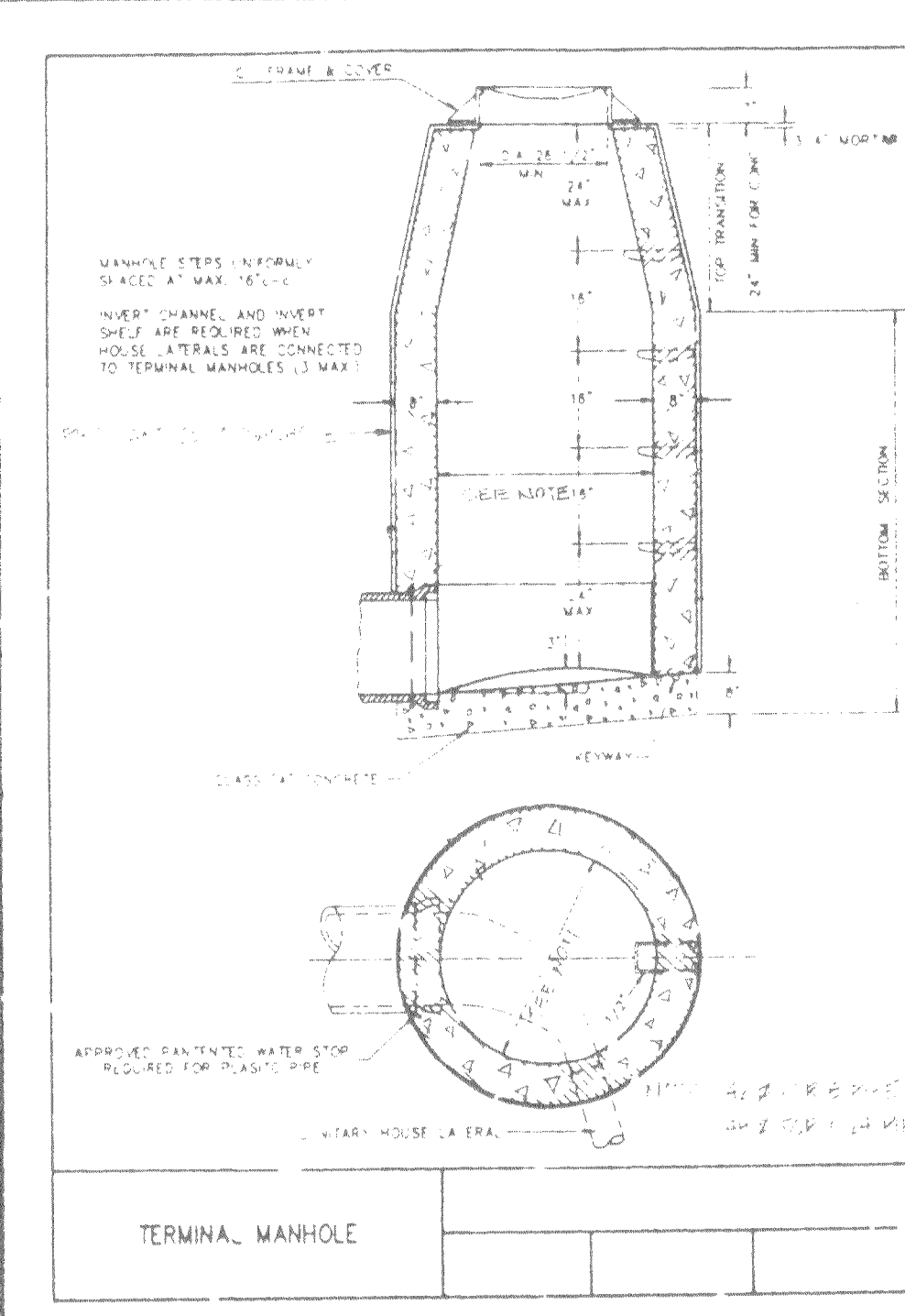
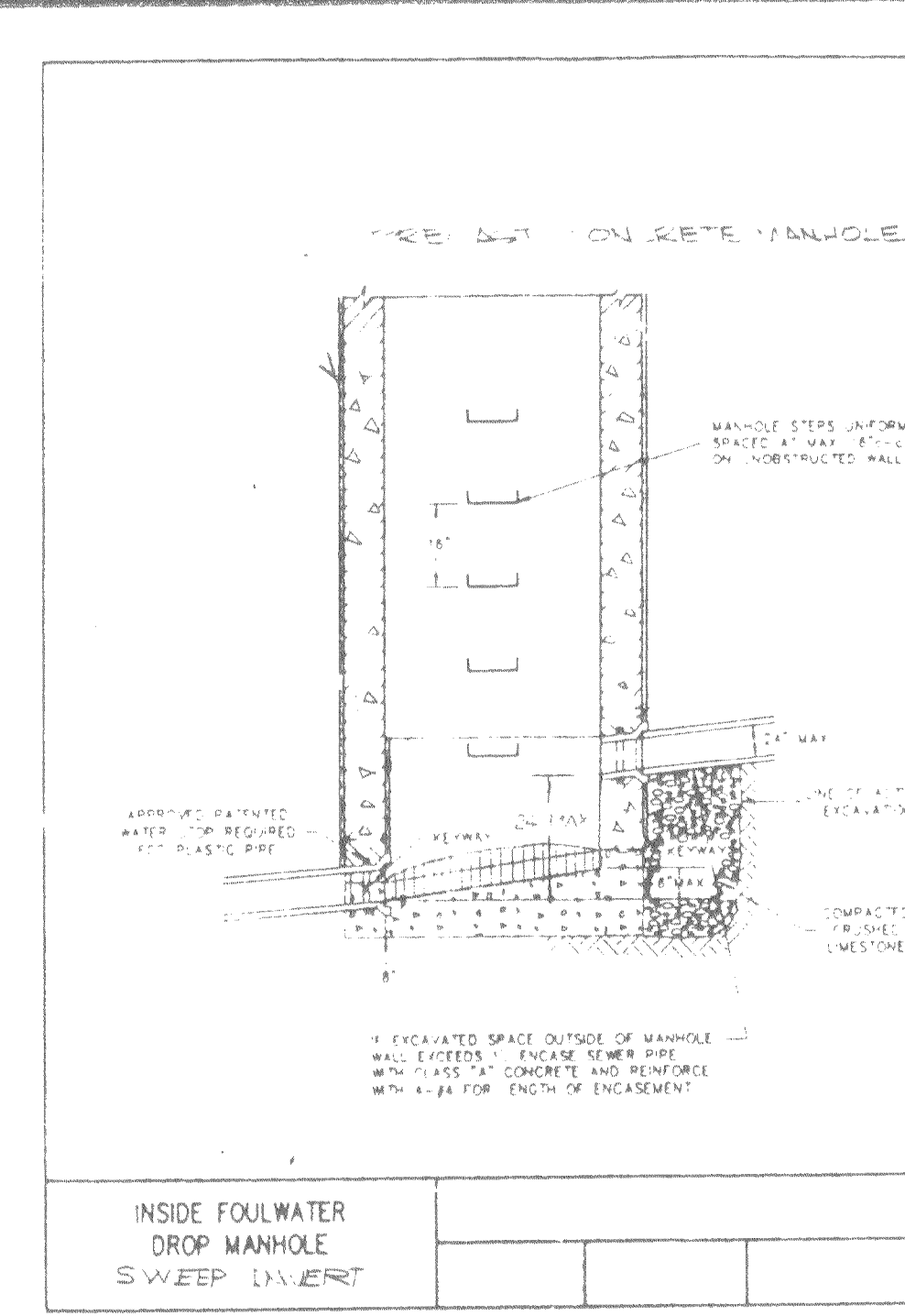
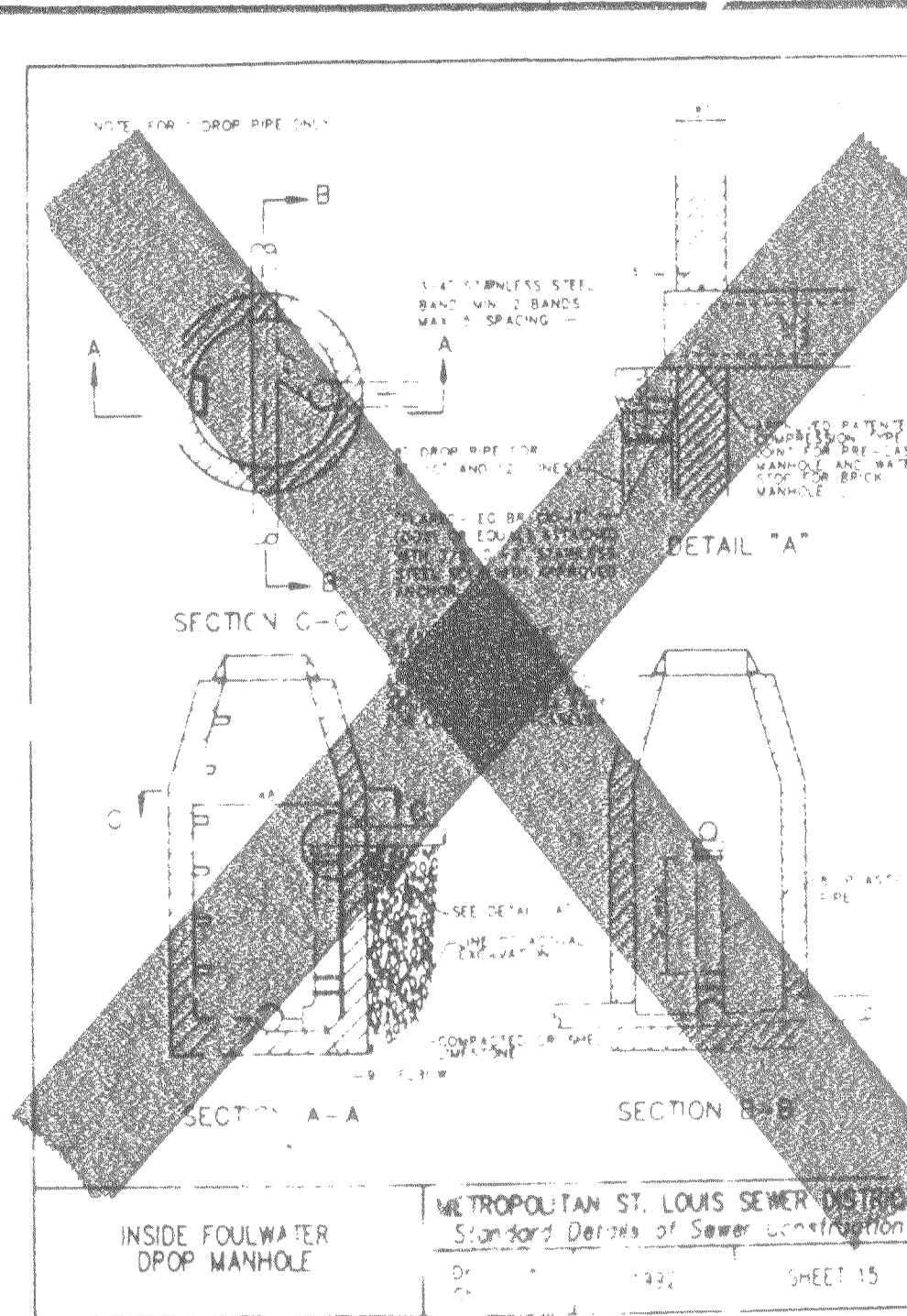
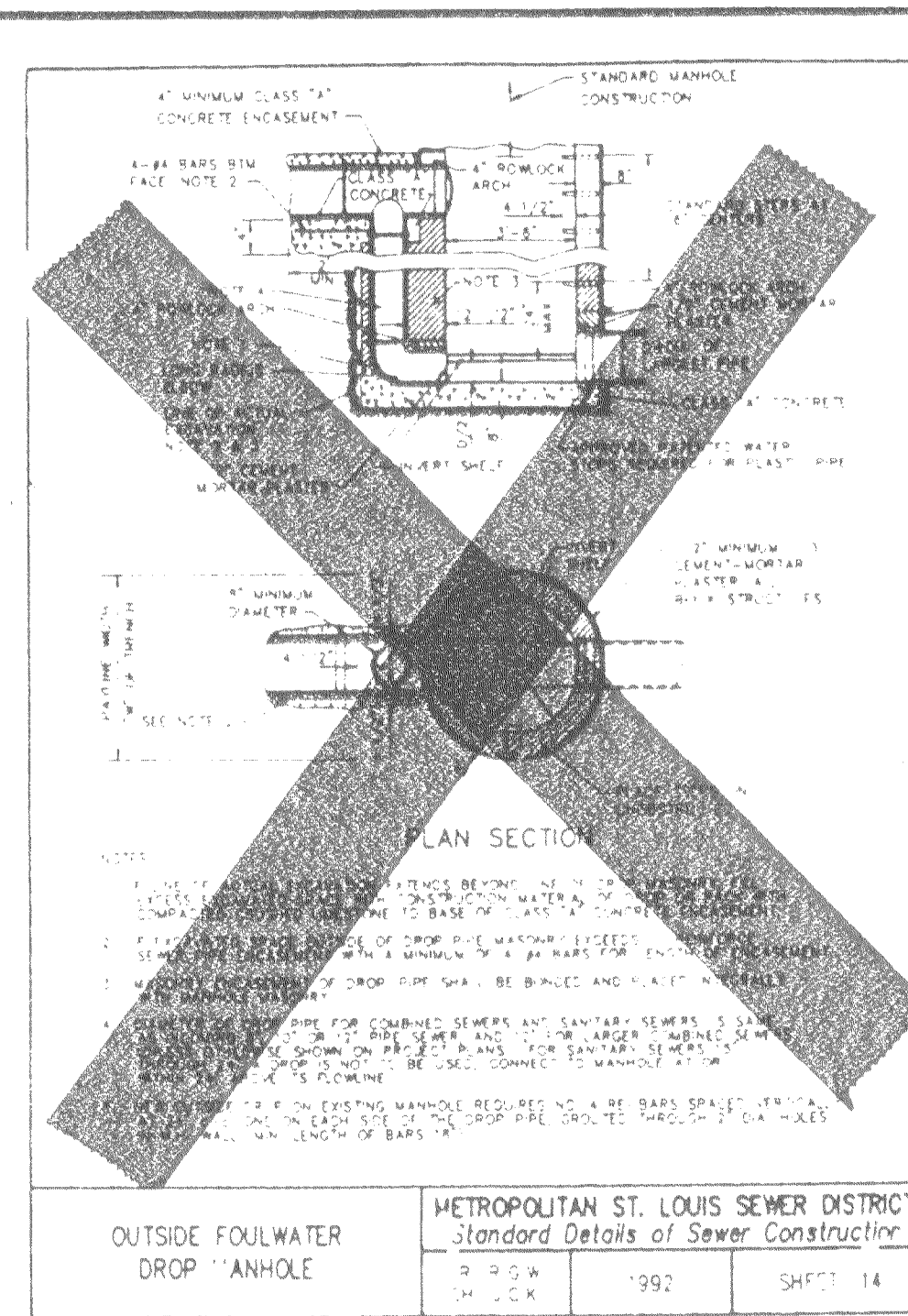
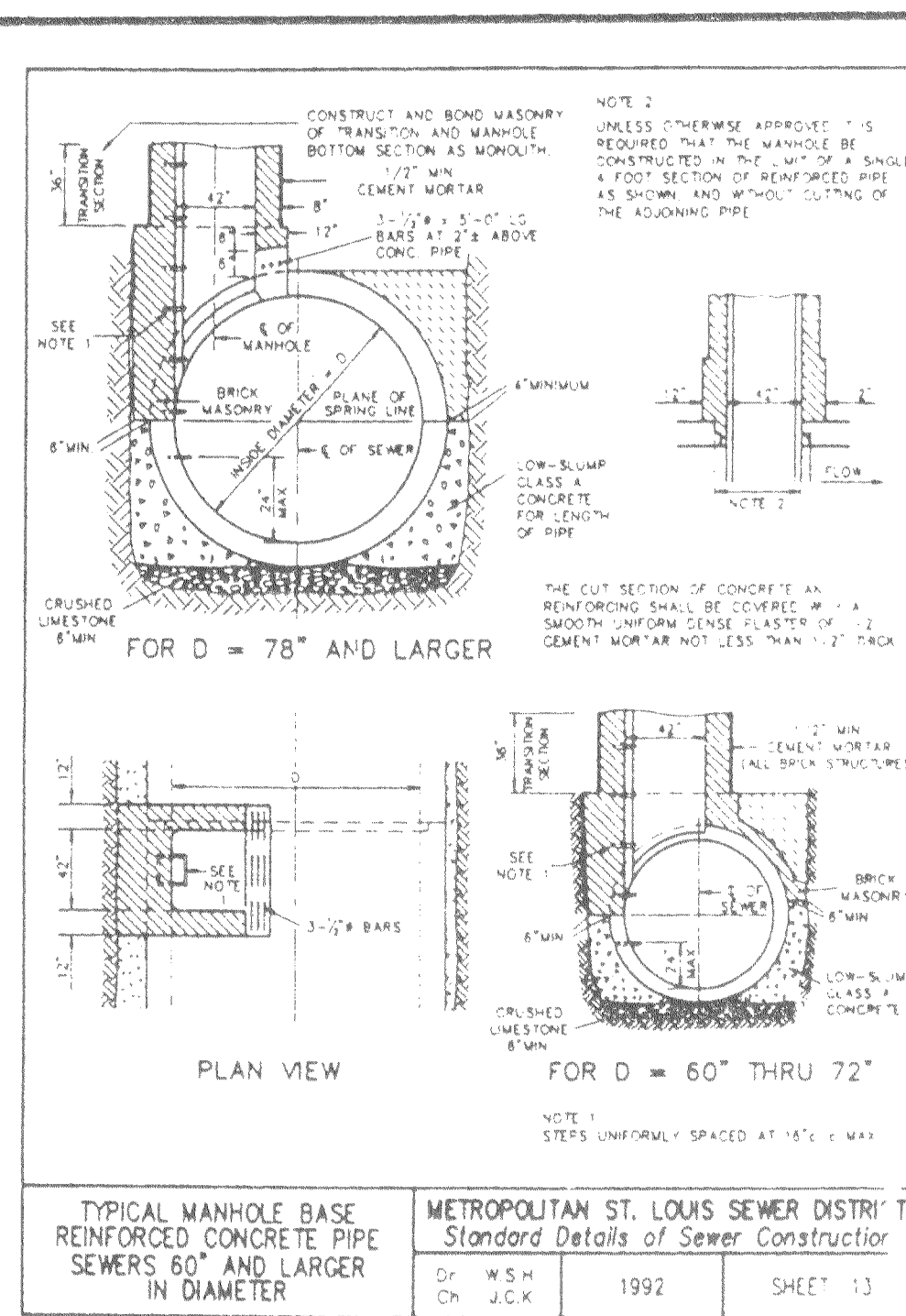
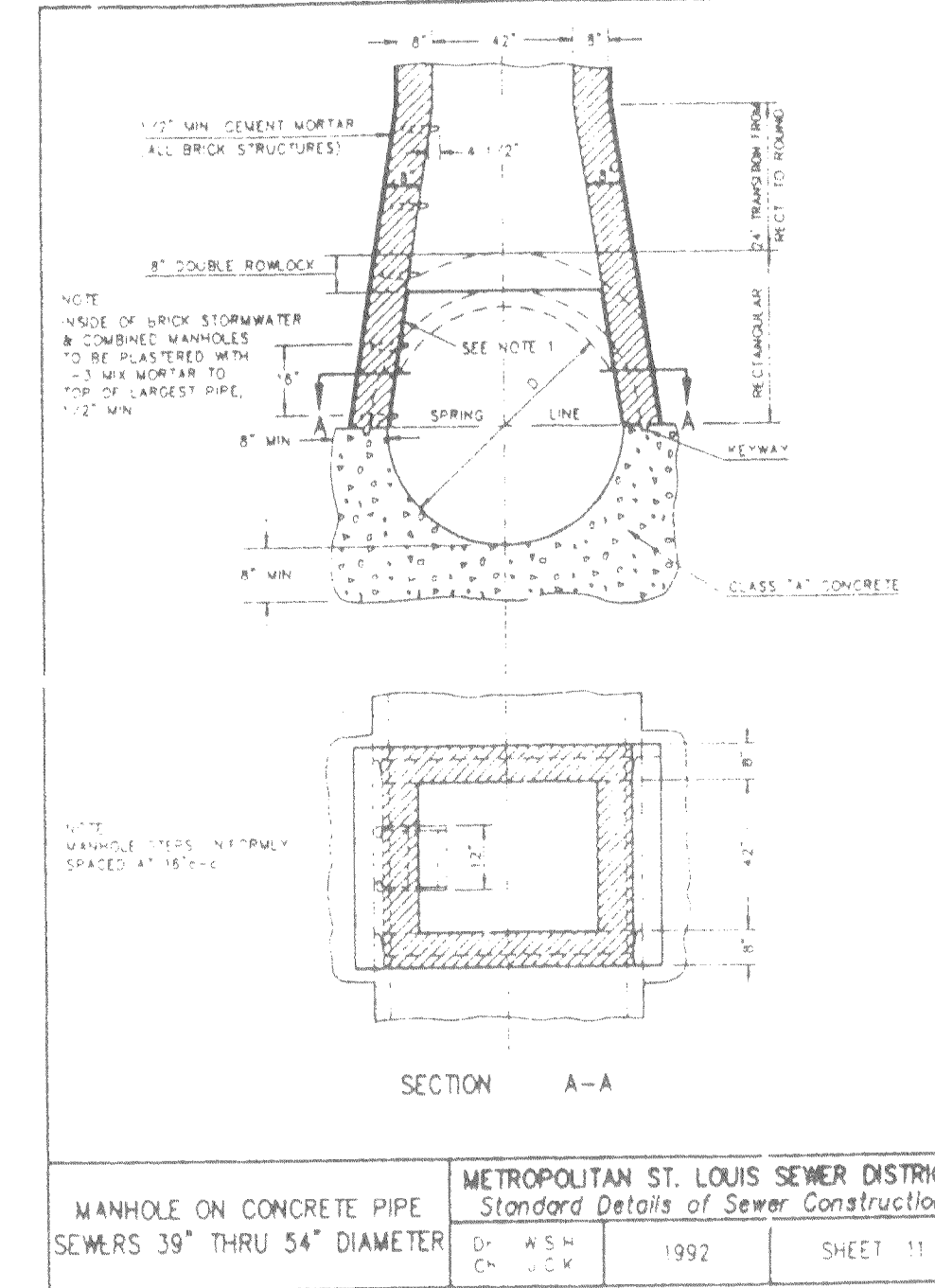
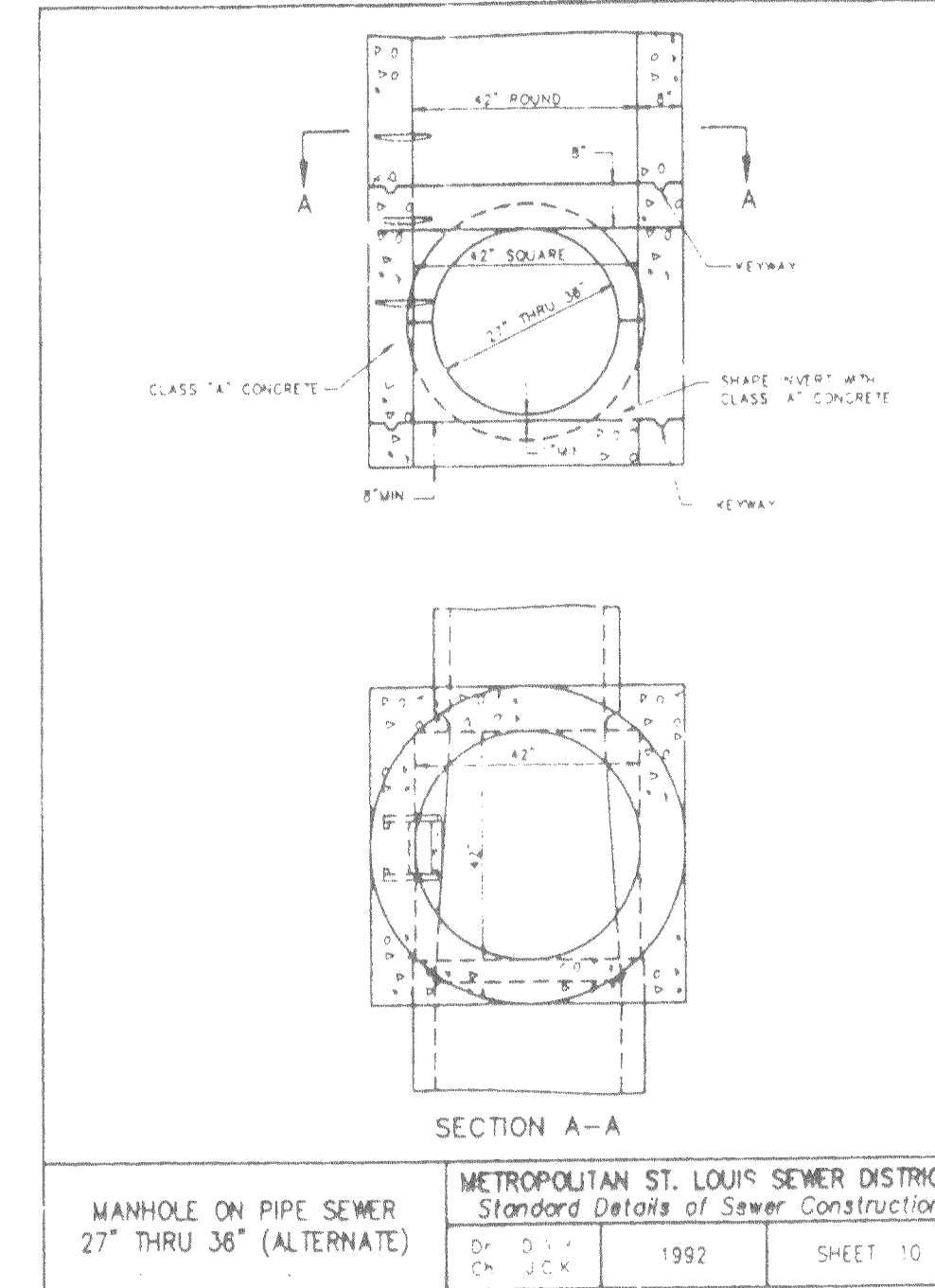
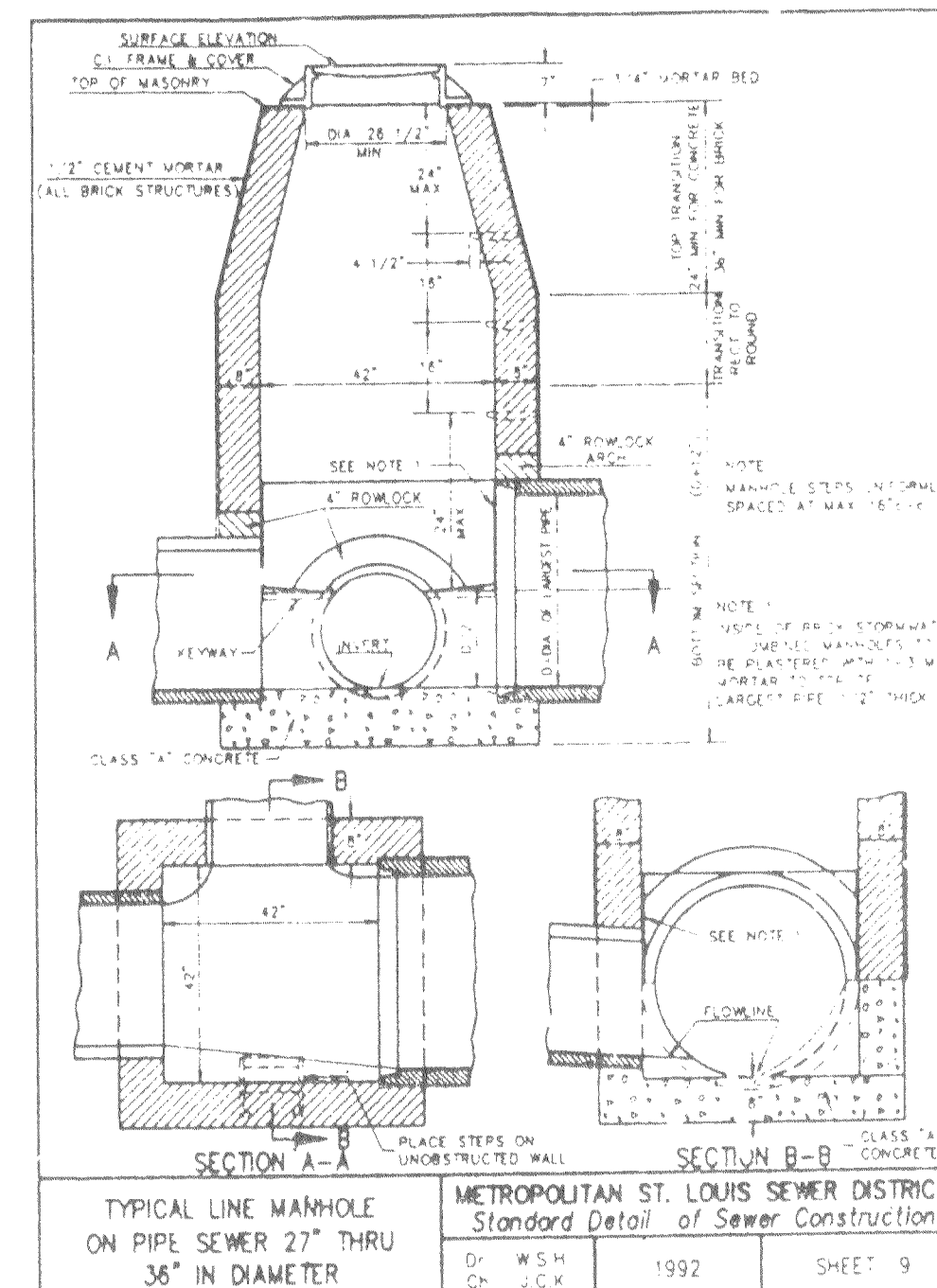
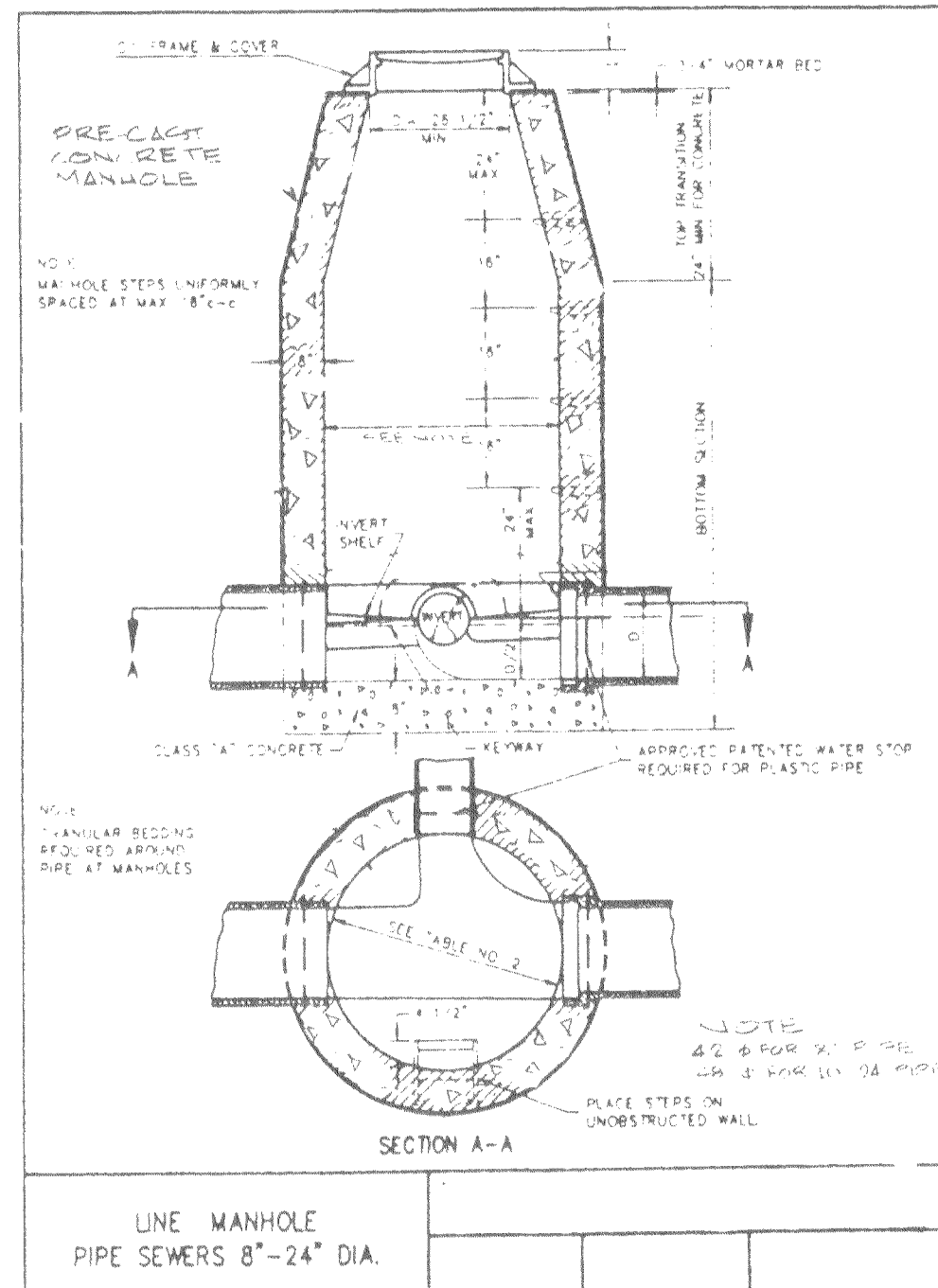
METROPOLITAN ST. LOUIS SEWER DISTRICT
Standard Details of Sewer Construction
Dr. B.E.B.
Cn. J.C.K.
1992 SHEET 1



SECTION OF MANHOLE			DIMENSION	
TOP TRANSITION	UPPER	26 1/2" DIA.		
	LOWER	42" DIA.		
BOTTOM SECTION	8" THRU 24" DIA. PIPE	42" DIA.		
	27" THRU 36" DIA. PIPE	42" SQUARE		

TABLE NO. 2
STANDARD MANHOLE DIMENSIONS

METROPOLITAN ST. LOUIS SEWER DISTRICT
Standard Details of Sewer Construction
Dr. R.C.W.
Cn. J.C.K.
1992 SHEET 7



CONSTRUCTION DETAILS

ED