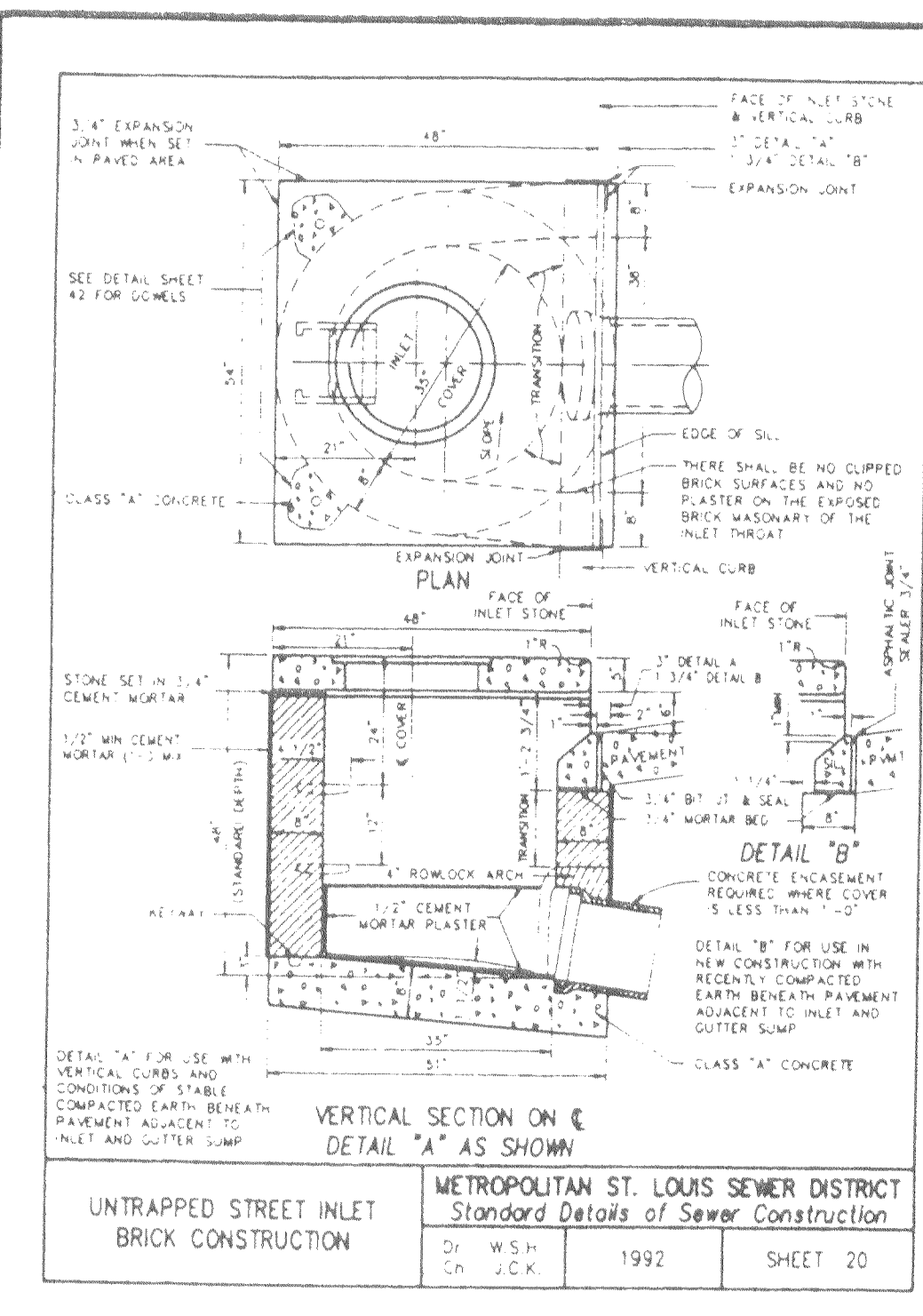
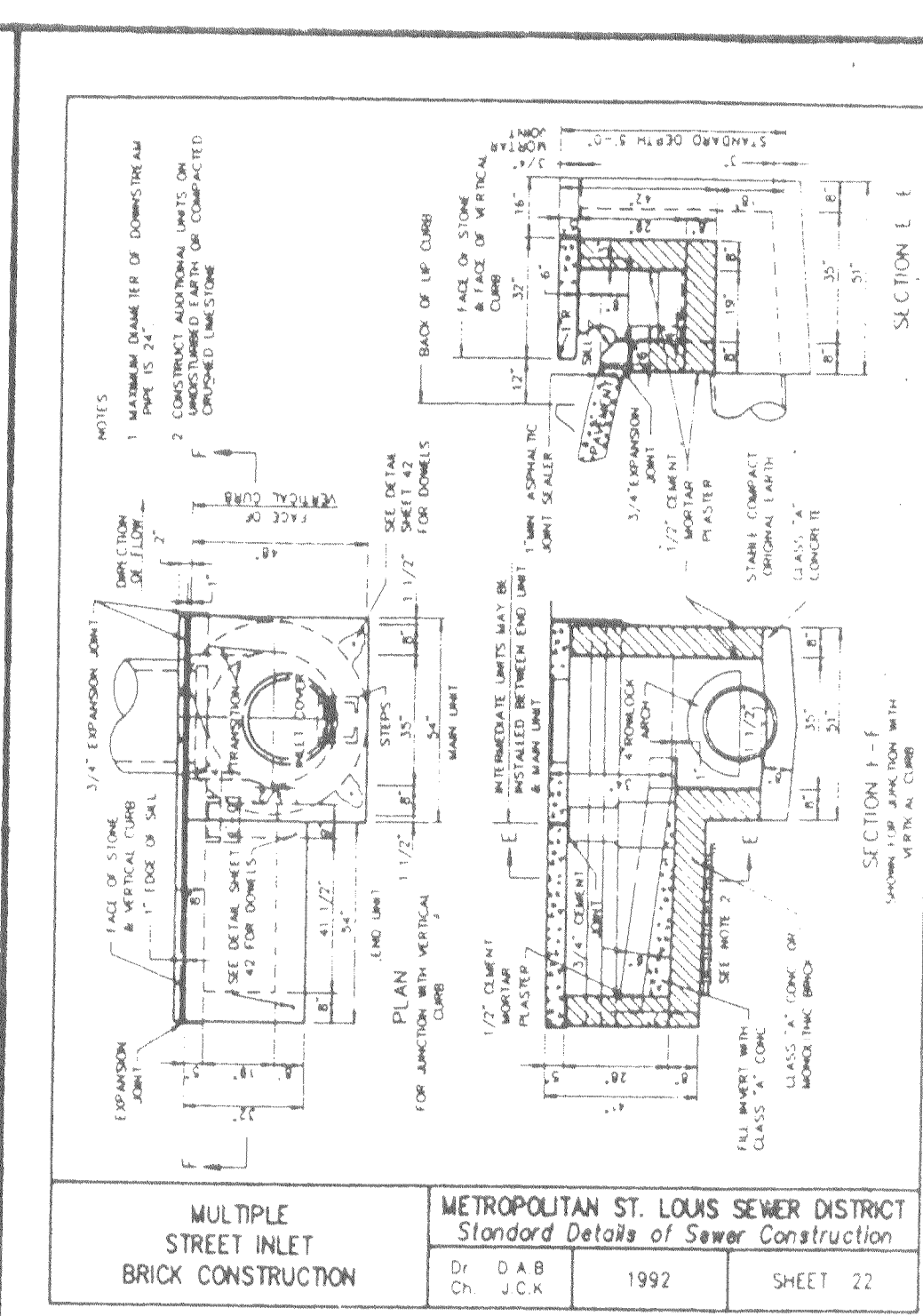


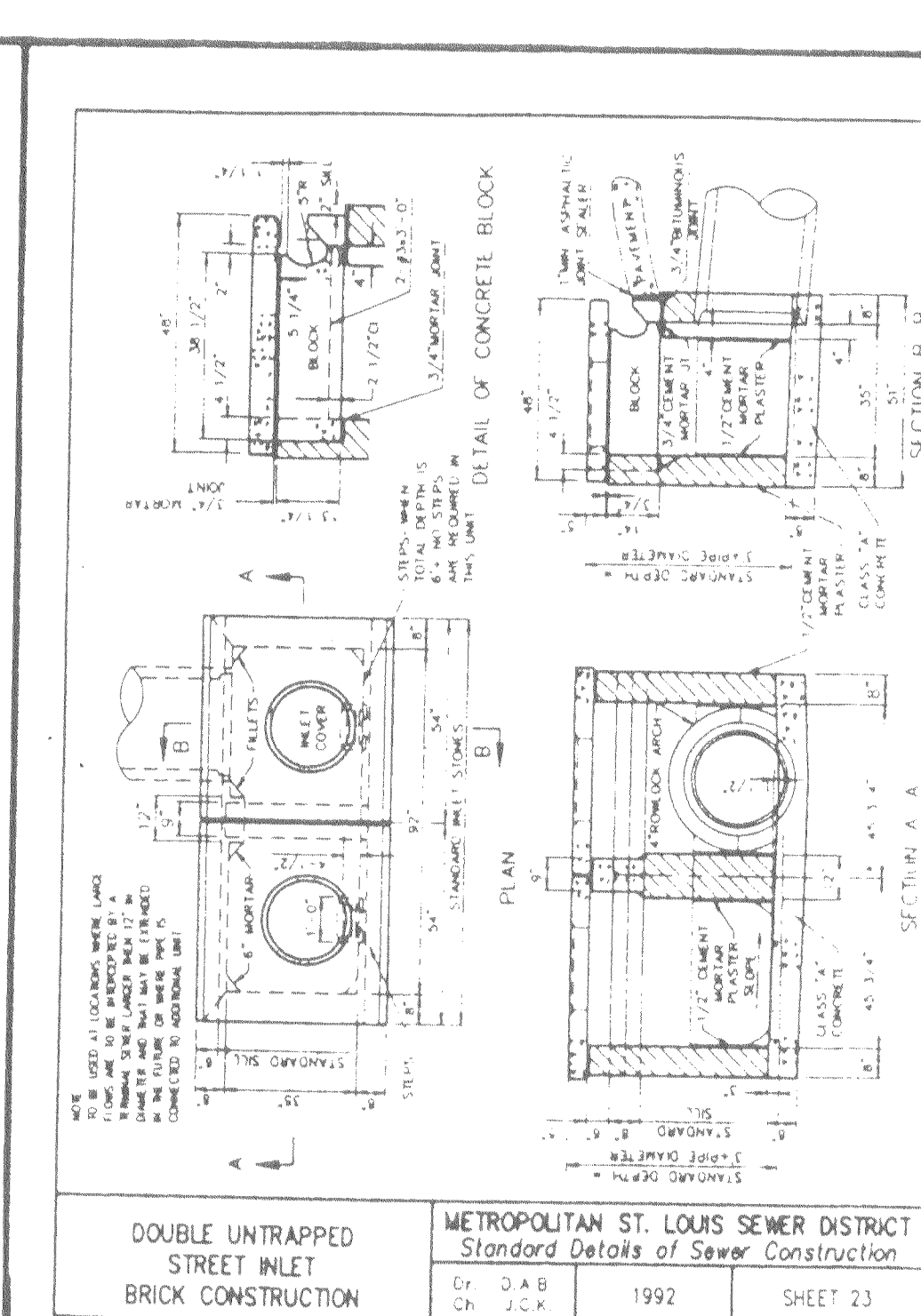
TYPICAL PRE-CAST MH. TEE FOR REINFORCED CONCRETE PIPE SEWERS 48" AND LARGER IN DIAMETER
 METROPOLITAN ST. LOUIS SEWER DISTRICT
 Standard Details of Sewer Construction
 Dr. W.S.H. Ch. J.C.K. 1992 SHEET 19



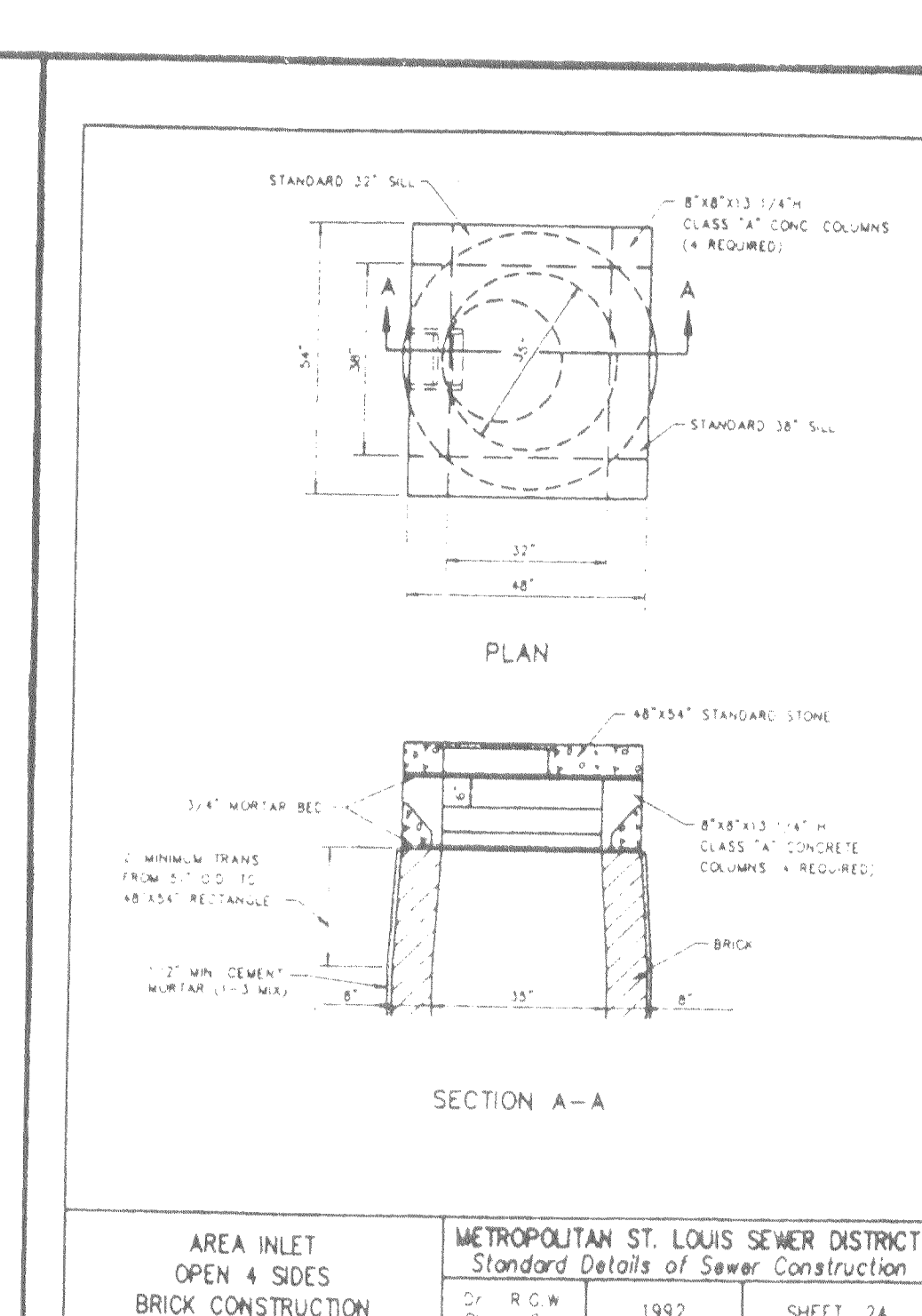
UNTRAPPED STREET INLET BRICK CONSTRUCTION
 METROPOLITAN ST. LOUIS SEWER DISTRICT
 Standard Details of Sewer Construction
 Dr. W.S.H. Ch. J.C.K. 1992 SHEET 20



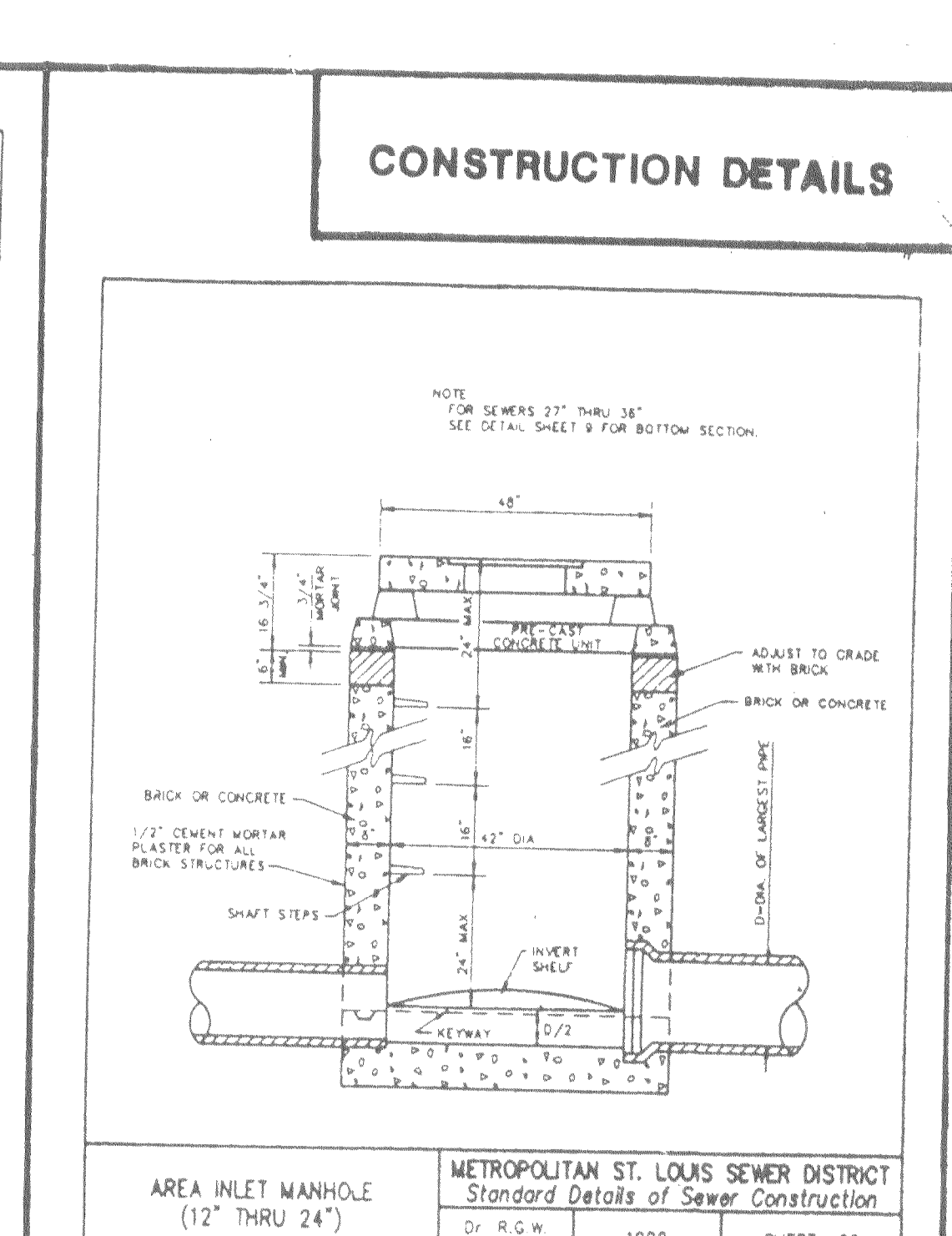
MULTIPLE STREET INLET BRICK CONSTRUCTION
 METROPOLITAN ST. LOUIS SEWER DISTRICT
 Standard Details of Sewer Construction
 Dr. D.A.B. Ch. J.C.K. 1992 SHEET 22



DOUBLE UNTRAPPED STREET INLET BRICK CONSTRUCTION
 METROPOLITAN ST. LOUIS SEWER DISTRICT
 Standard Details of Sewer Construction
 Dr. D.A.B. Ch. J.C.K. 1992 SHEET 23

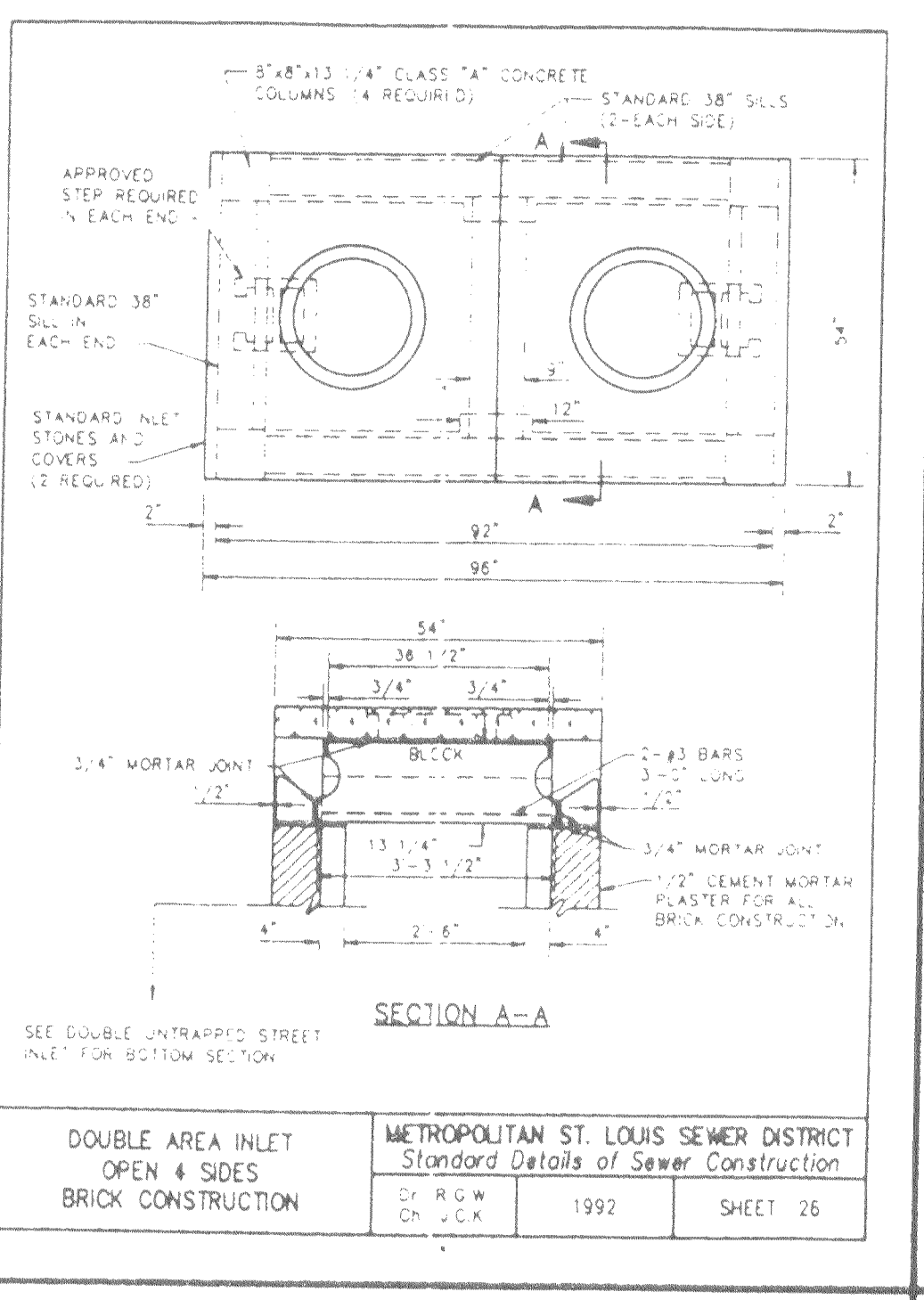


AREA INLET OPEN 4 SIDES BRICK CONSTRUCTION
 METROPOLITAN ST. LOUIS SEWER DISTRICT
 Standard Details of Sewer Construction
 Dr. R.G.W. Ch. J.C.K. 1992 SHEET 24

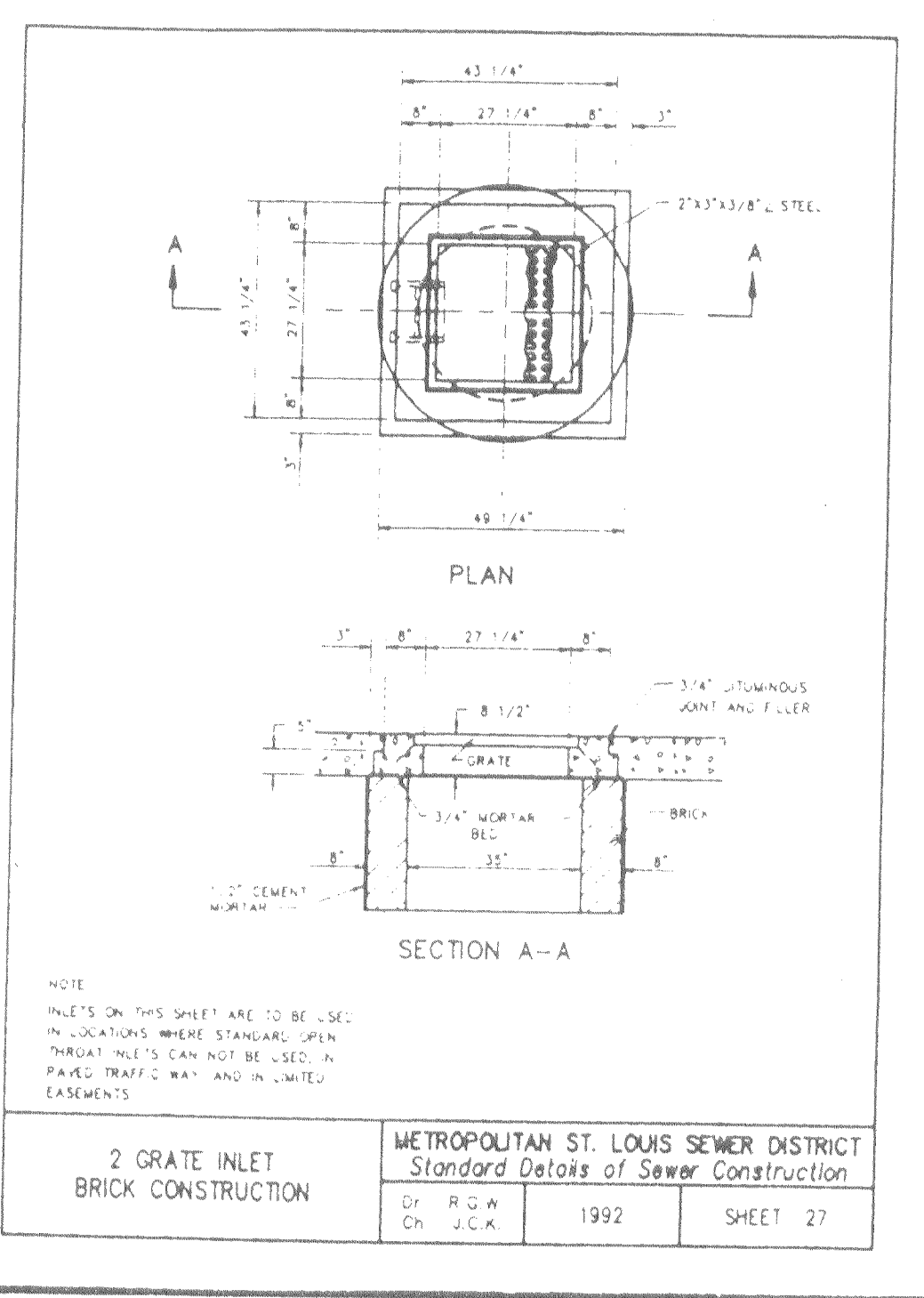


AREA INLET MANHOLE (12" THRU 24")
 METROPOLITAN ST. LOUIS SEWER DISTRICT
 Standard Details of Sewer Construction
 Dr. R.G.W. Ch. J.C.K. 1992 SHEET 25

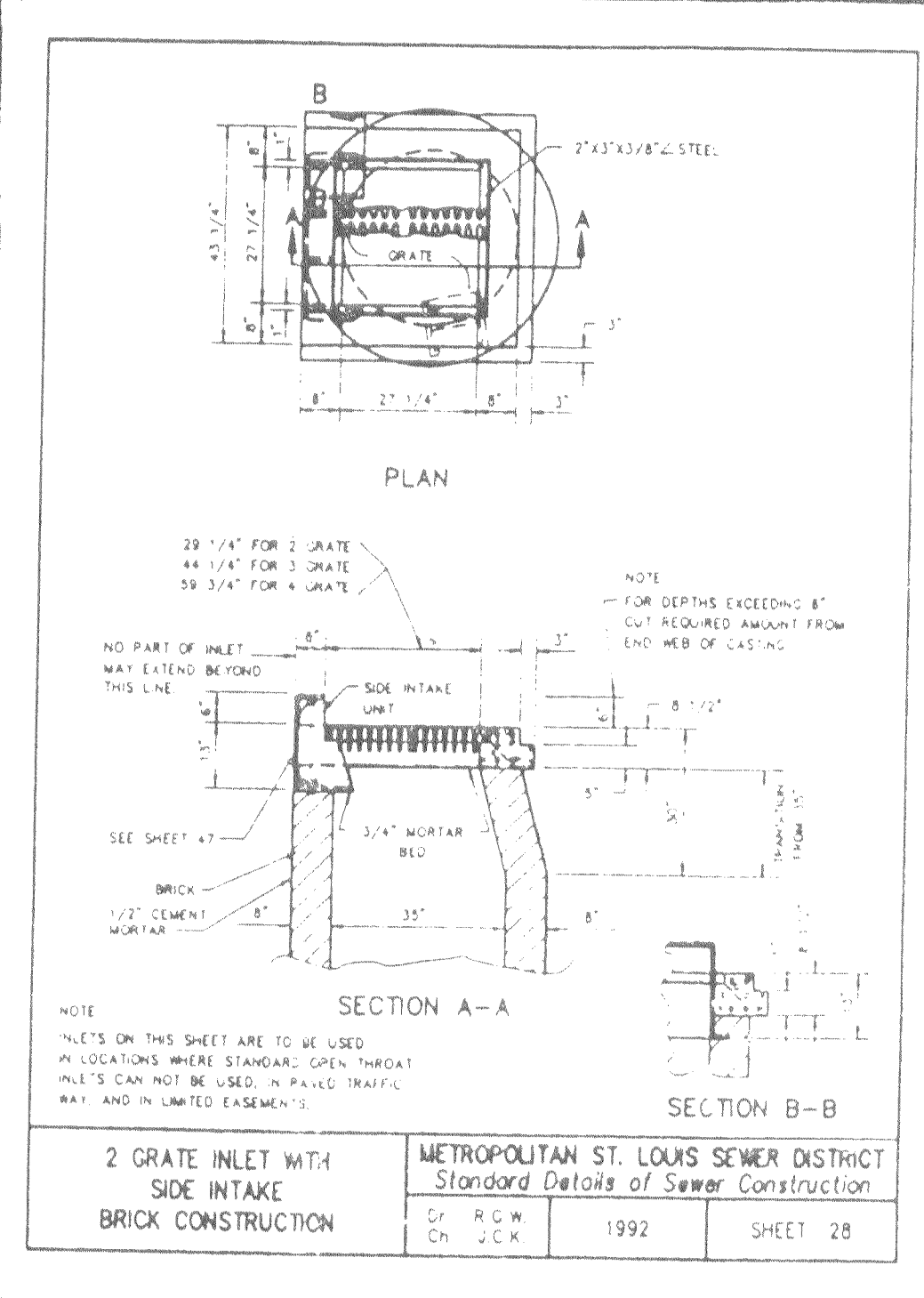
CONSTRUCTION DETAILS



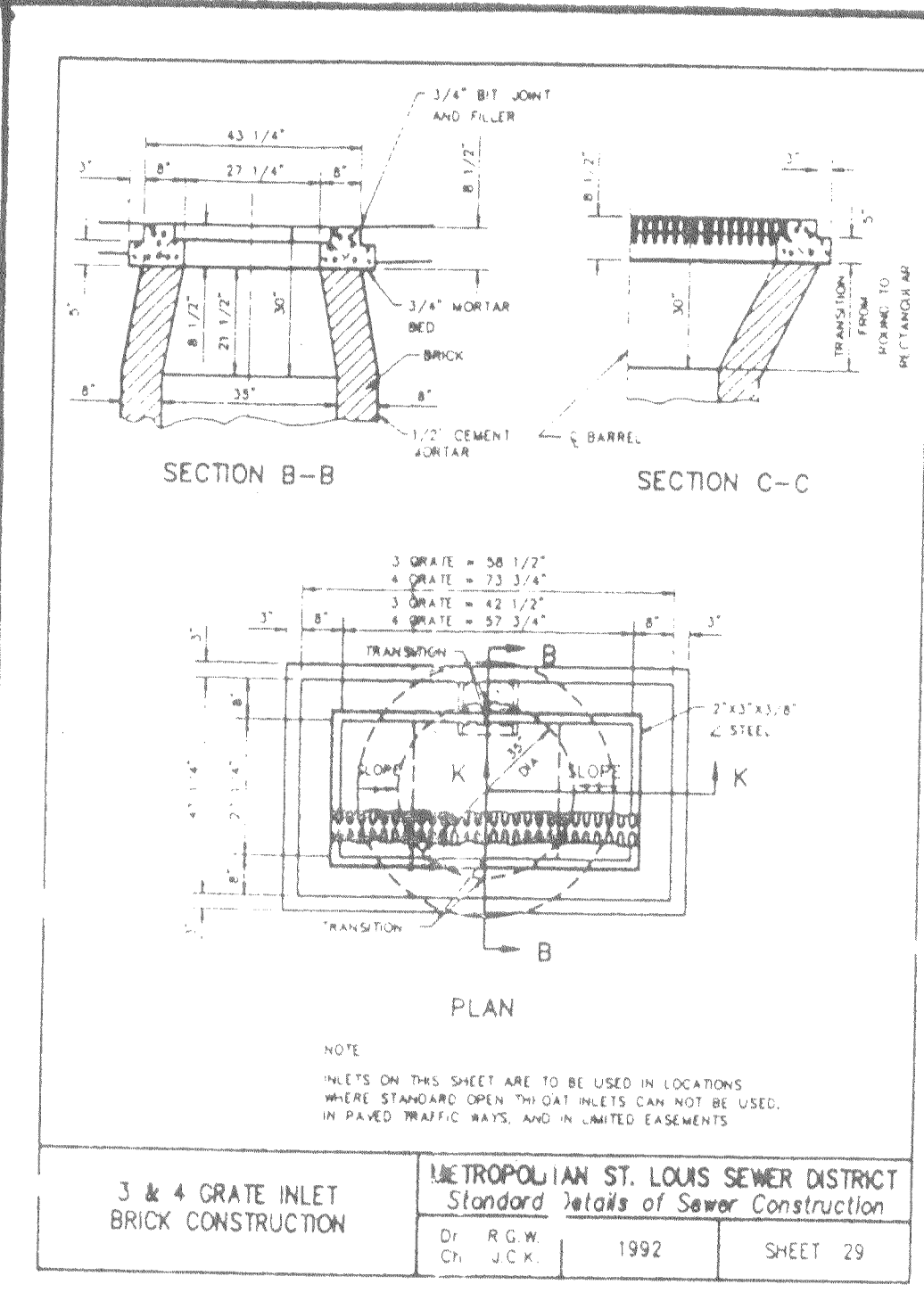
DOUBLE AREA INLET OPEN 4 SIDES BRICK CONSTRUCTION
 METROPOLITAN ST. LOUIS SEWER DISTRICT
 Standard Details of Sewer Construction
 Dr. R.G.W. Ch. J.C.K. 1992 SHEET 26



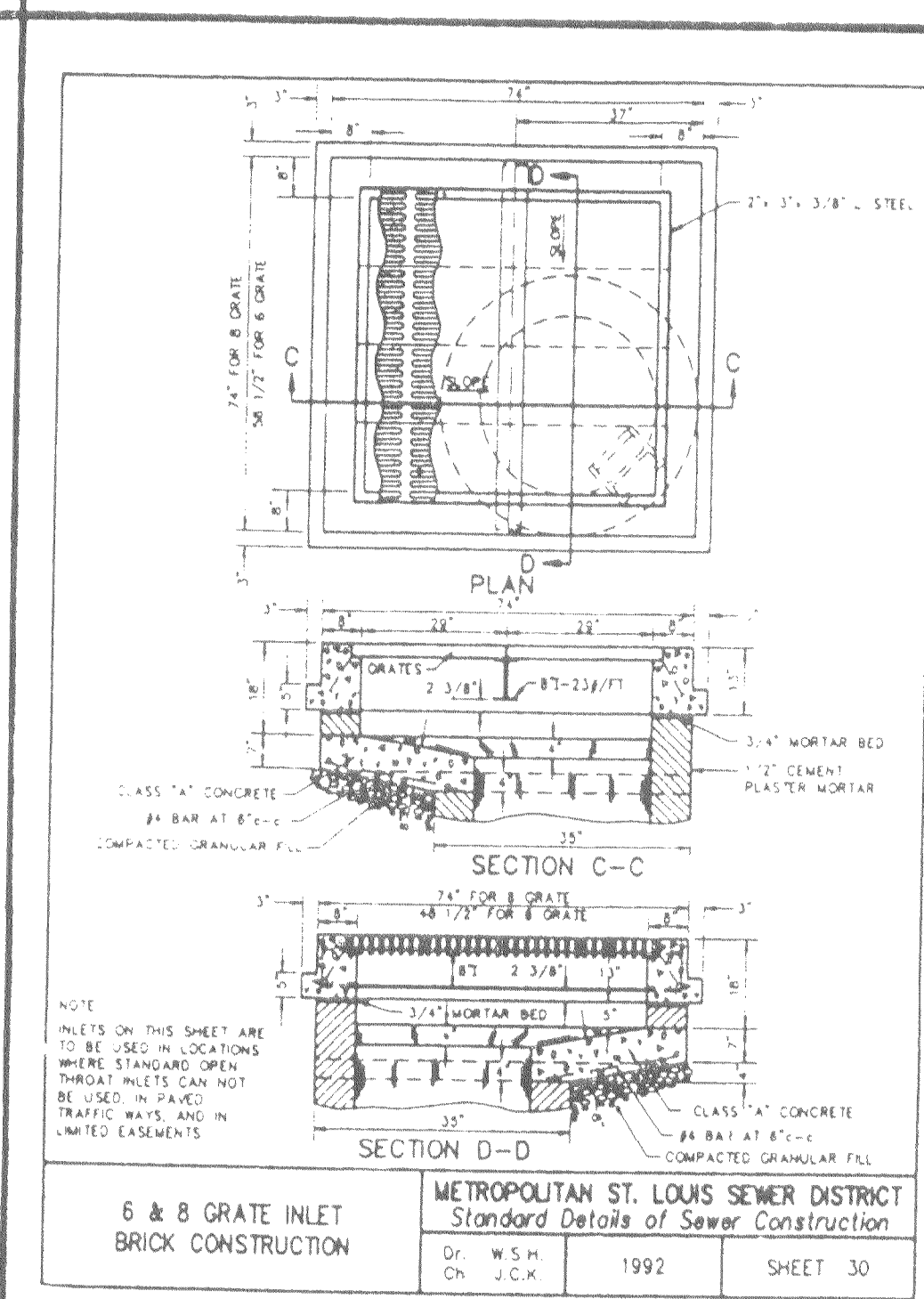
2 GRATE INLET BRICK CONSTRUCTION
 METROPOLITAN ST. LOUIS SEWER DISTRICT
 Standard Details of Sewer Construction
 Dr. R.G.W. Ch. J.C.K. 1992 SHEET 27



2 GRATE INLET WITH SIDE INTAKE BRICK CONSTRUCTION
 METROPOLITAN ST. LOUIS SEWER DISTRICT
 Standard Details of Sewer Construction
 Dr. R.G.W. Ch. J.C.K. 1992 SHEET 28



3 & 4 GRATE INLET BRICK CONSTRUCTION
 METROPOLITAN ST. LOUIS SEWER DISTRICT
 Standard Details of Sewer Construction
 Dr. R.G.W. Ch. J.C.K. 1992 SHEET 29



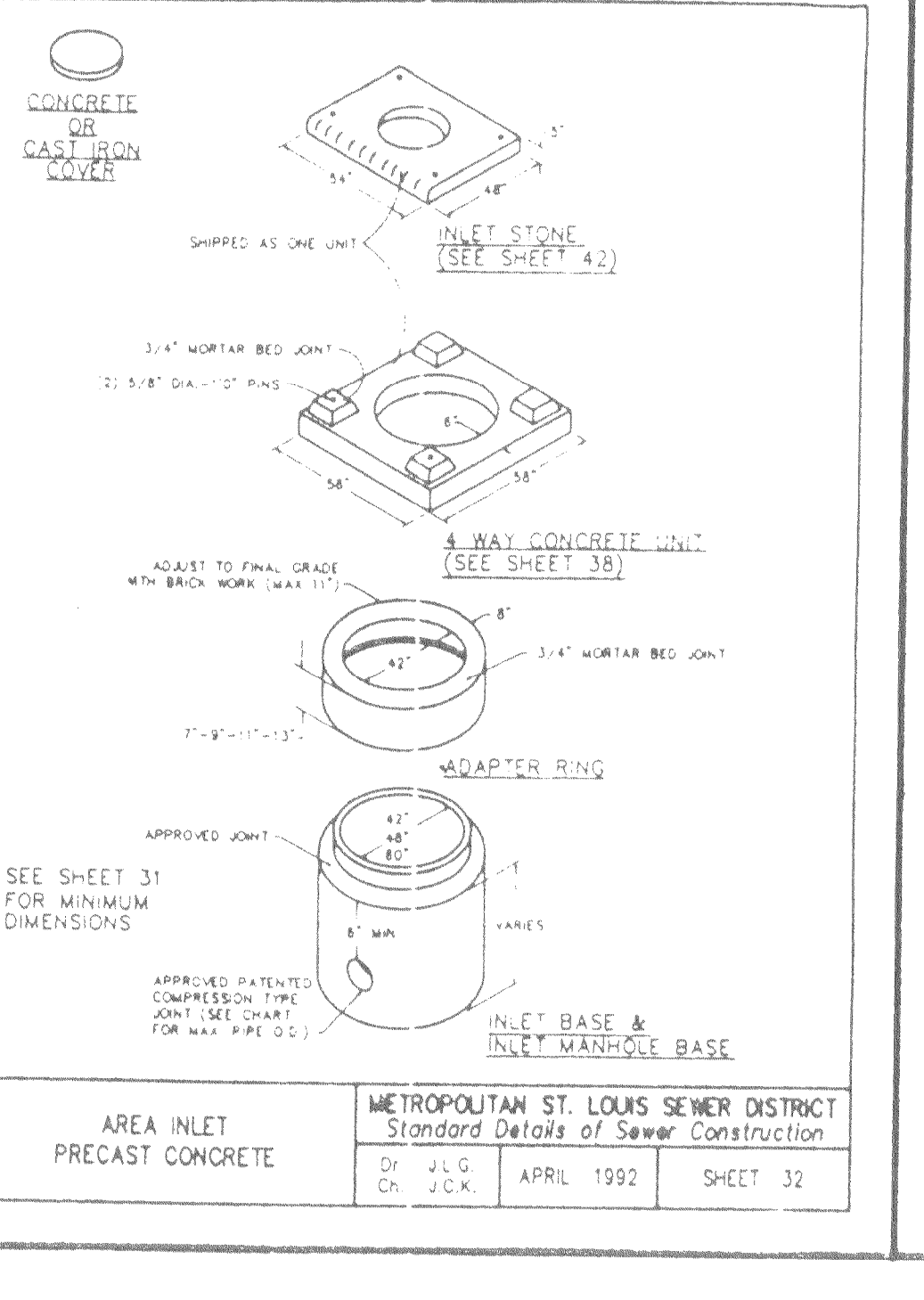
6 & 8 GRATE INLET BRICK CONSTRUCTION
 METROPOLITAN ST. LOUIS SEWER DISTRICT
 Standard Details of Sewer Construction
 Dr. W.S.H. Ch. J.C.K. 1992 SHEET 30

PRECAST CONCRETE STORMWATER STRUCTURES
 MINIMUM DISTANCE FLOWLINE TO TOP OF STONE OR GRATE

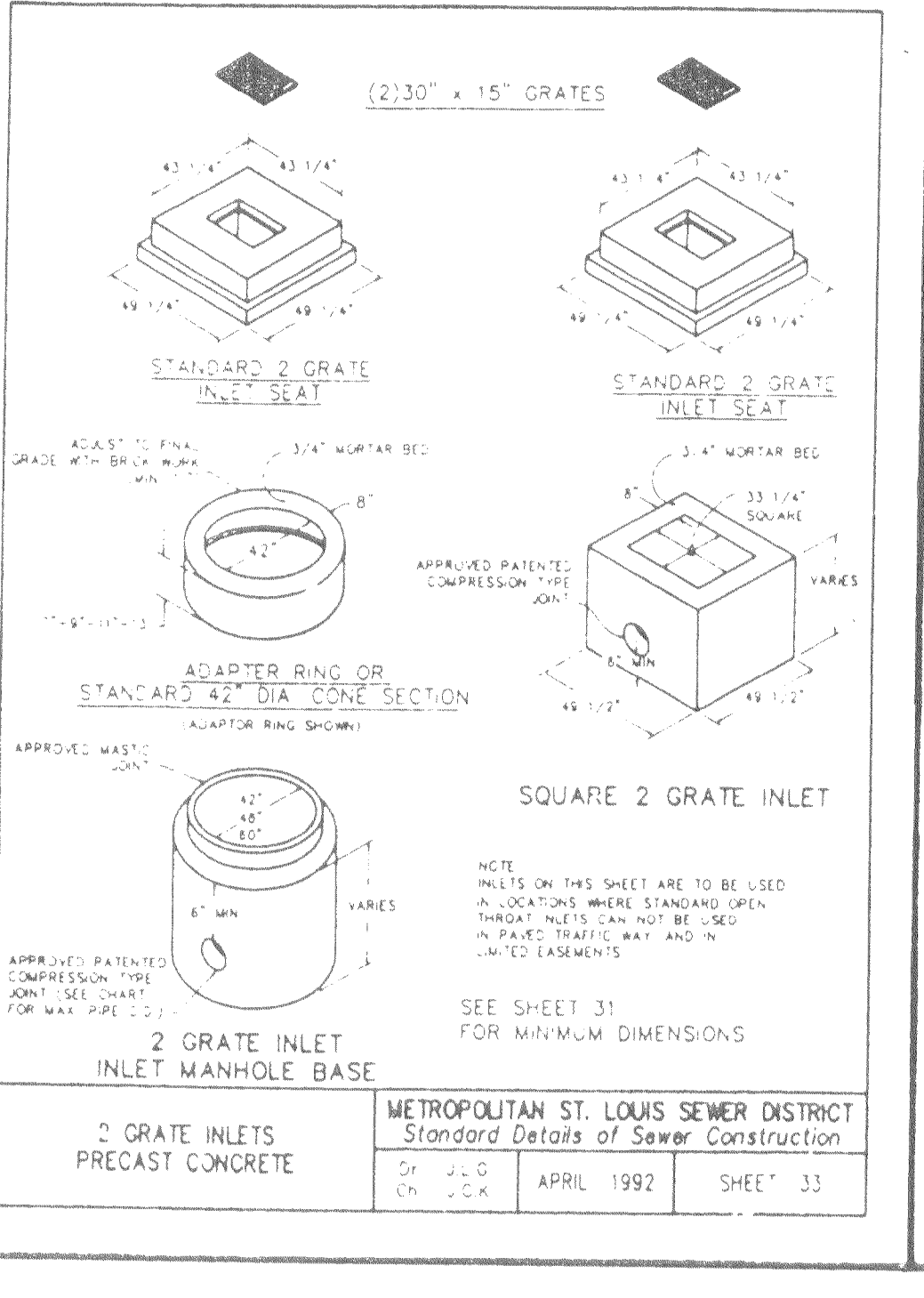
PIPE Ø NORMAL MOSES	AREA INLET CIRCULAR BASE ØA		2 GRATE INLET CIRCULAR BASE ØA		SQUARE CIRCULAR BASE ØA		SINGLE STREET INLET CIRCULAR BASE ØA	
	42"	48"	42"	48"	42"	48"	42"	48"
12"	45"	51"	38"	44"	31"	37"	48"	54"
15"	48"	54"	41"	47"	34"	40"	51"	57"
18"	51"	57"	44"	50"	37"	43"	54"	60"
21"	54"	60"	47"	53"	40"	46"	57"	63"
24"	57"	63"	50"	56"	43"	49"	60"	66"
27"	60"	66"	53"	59"	46"	52"	63"	69"
30"	63"	69"	56"	62"	49"	55"	66"	72"
33"	66"	72"	59"	65"	52"	58"	69"	75"

NOTE: 48" DIA. BASE REQUIRES 3" HIGH TRANSITION SECTION TO 42" DIA. SIMILAR TO "ADAPTER RING" SHEET 22.
 1. 80" DIA. BASE REQUIRES 3/4" HIGH CONCENTRIC REDUCER TRANSITION TO 42" DIA. SIMILAR TO "ADAPTER RING" SHEET 22.

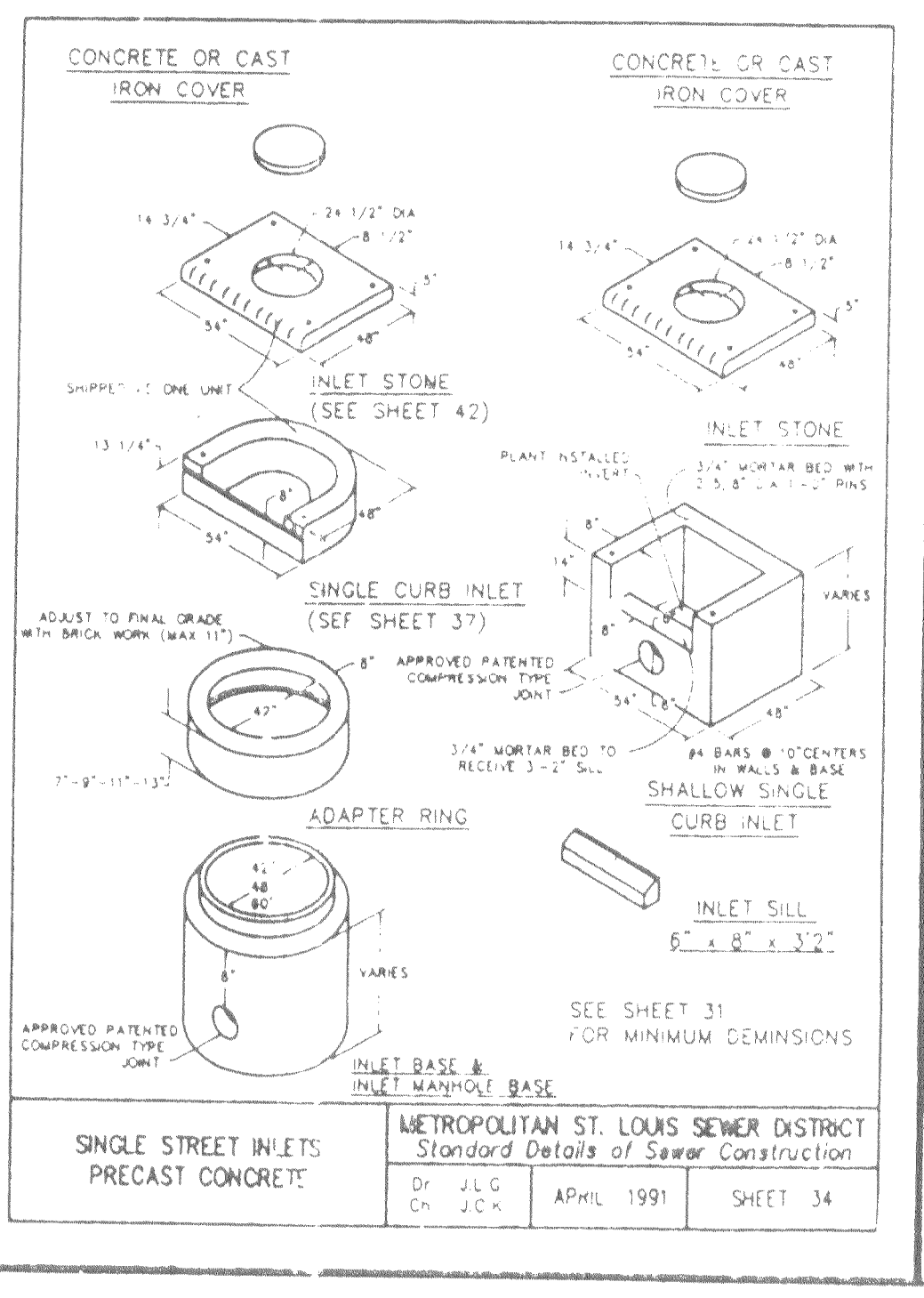
PRECAST CONCRETE STORMWATER STRUCTURES
 METROPOLITAN ST. LOUIS SEWER DISTRICT
 Standard Details of Sewer Construction
 Dr. J.L.G. Ch. J.C.K. SEPT 1990 SHEET 31



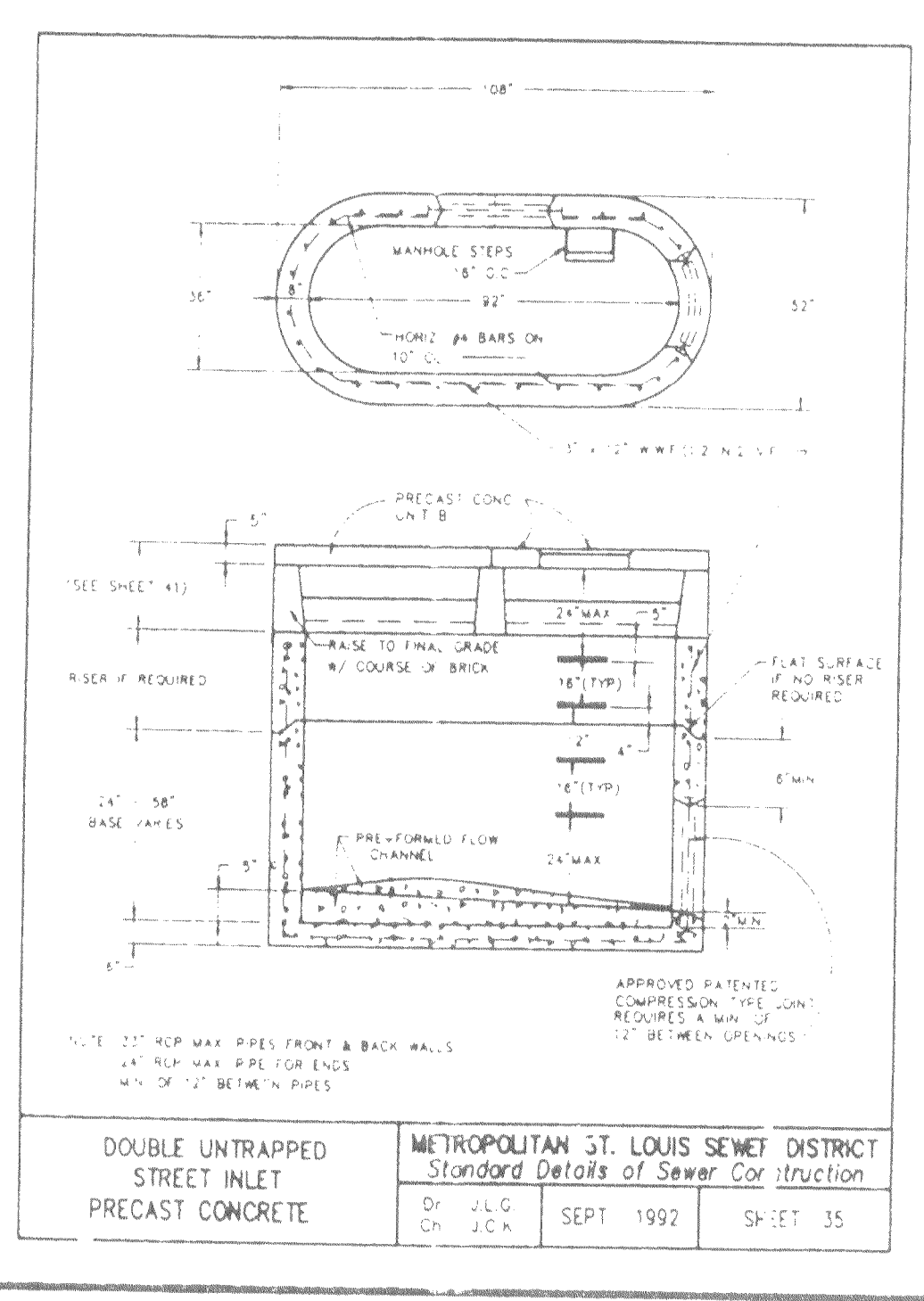
AREA INLET PRECAST CONCRETE
 METROPOLITAN ST. LOUIS SEWER DISTRICT
 Standard Details of Sewer Construction
 Dr. J.L.G. Ch. J.C.K. APRIL 1992 SHEET 32



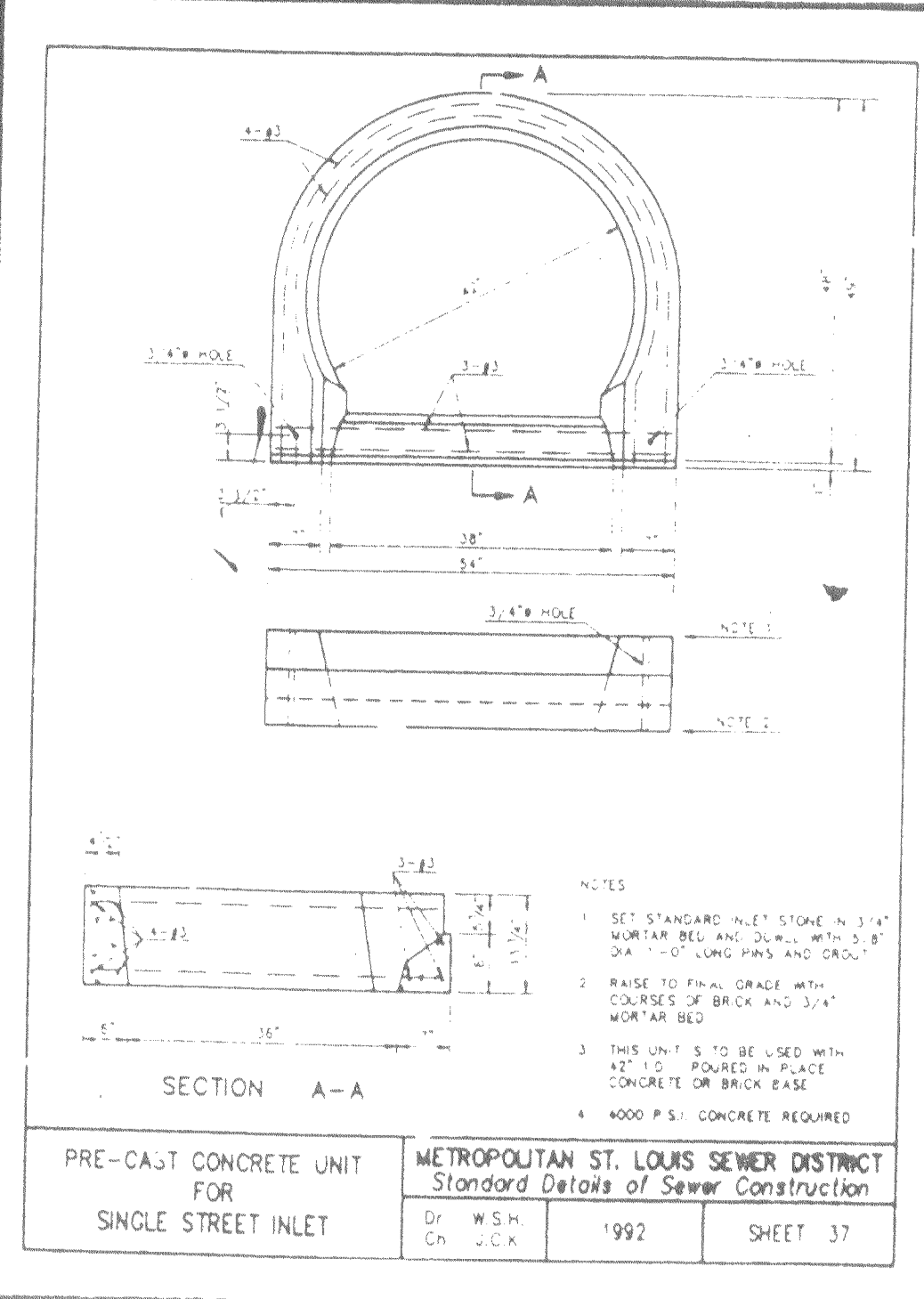
2 GRATE INLET PRECAST CONCRETE
 METROPOLITAN ST. LOUIS SEWER DISTRICT
 Standard Details of Sewer Construction
 Dr. J.L.G. Ch. J.C.K. APRIL 1992 SHEET 33



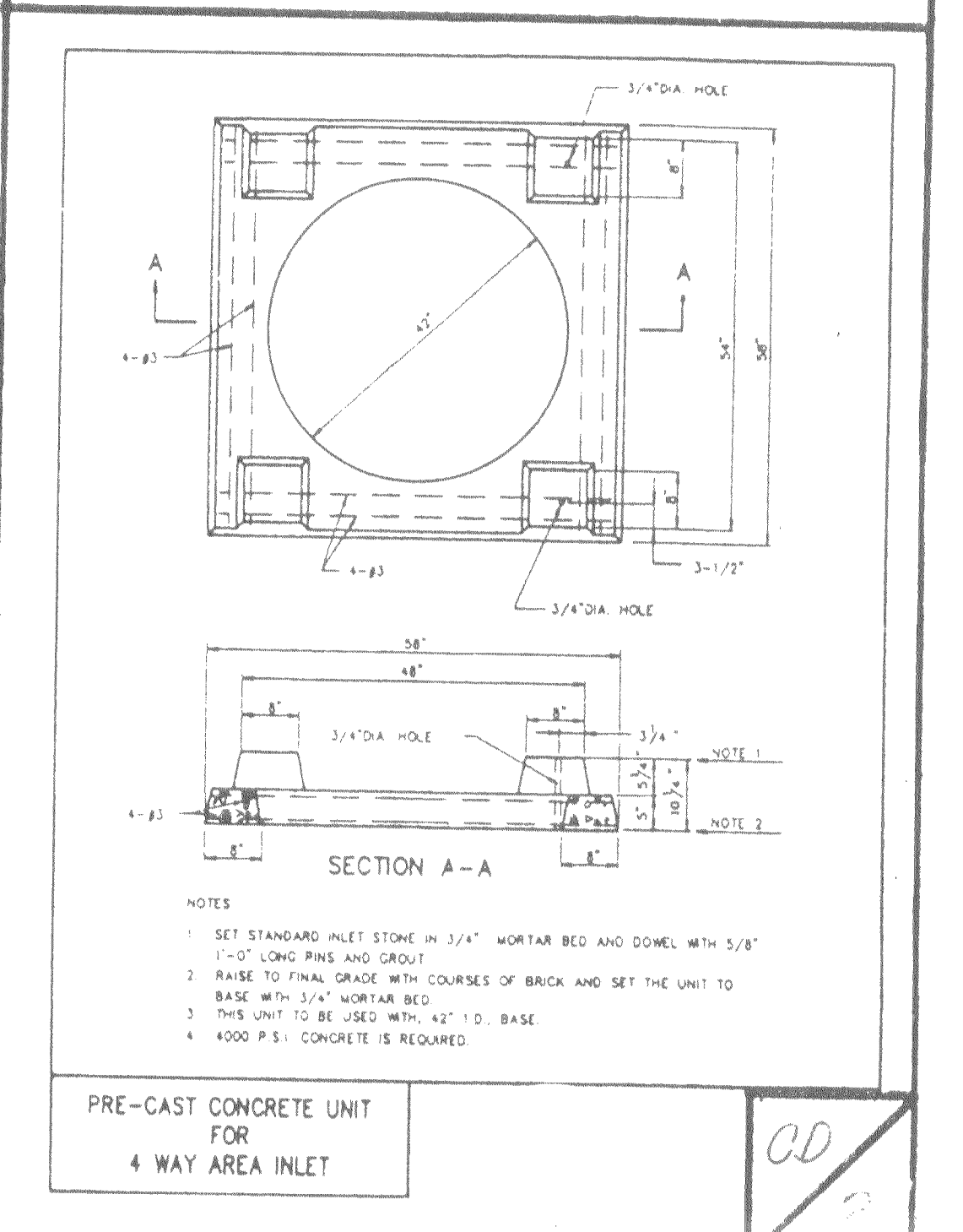
SINGLE STREET INLET PRECAST CONCRETE
 METROPOLITAN ST. LOUIS SEWER DISTRICT
 Standard Details of Sewer Construction
 Dr. J.L.G. Ch. J.C.K. APRIL 1991 SHEET 34



DOUBLE UNTRAPPED STREET INLET PRECAST CONCRETE
 METROPOLITAN ST. LOUIS SEWER DISTRICT
 Standard Details of Sewer Construction
 Dr. J.L.G. Ch. J.C.K. SEPT 1992 SHEET 35



PRE-CAST CONCRETE UNIT FOR SINGLE STREET INLET
 METROPOLITAN ST. LOUIS SEWER DISTRICT
 Standard Details of Sewer Construction
 Dr. W.S.H. Ch. J.C.K. 1992 SHEET 37



PRE-CAST CONCRETE UNIT FOR 4 WAY AREA INLET
 METROPOLITAN ST. LOUIS SEWER DISTRICT
 Standard Details of Sewer Construction
 Dr. W.S.H. Ch. J.C.K. 1992 SHEET 37

CD