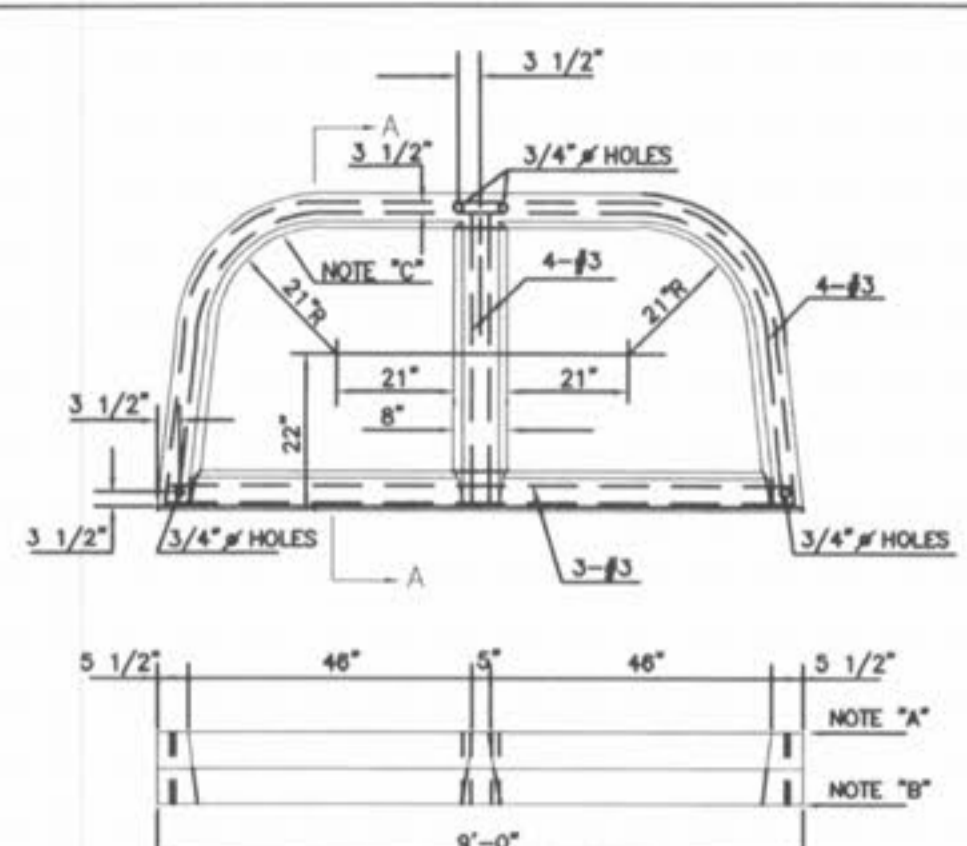


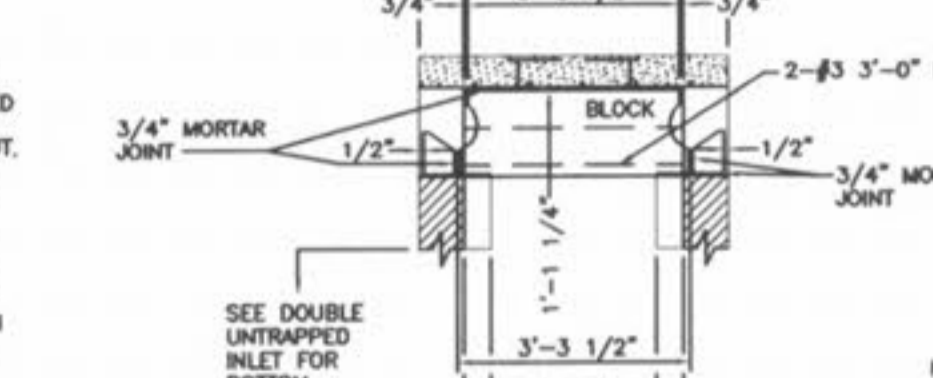
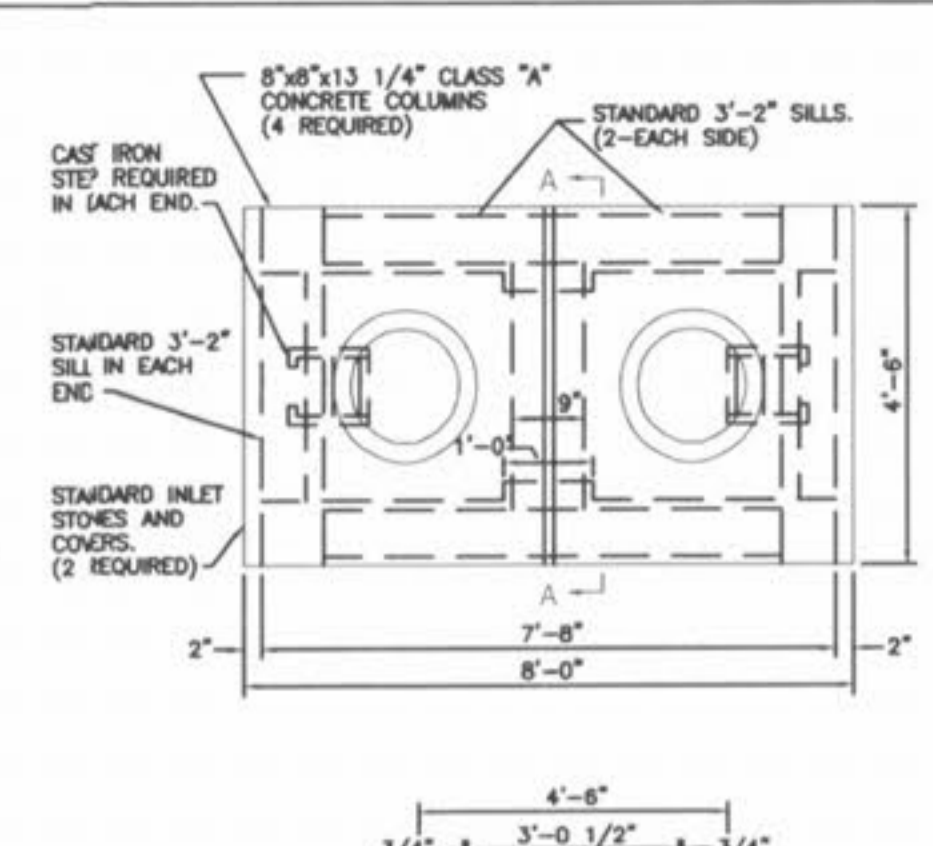
NOTES:
 A. SET 2 STANDARD INLET STONES IN 3/4\"/>

PRECAST CONCRETE UNIT FOR DOUBLE CURB INLET (WITH CONCRETE BASE)

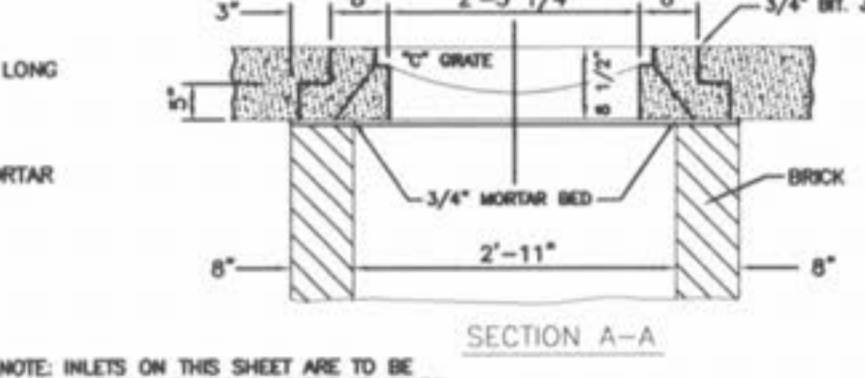
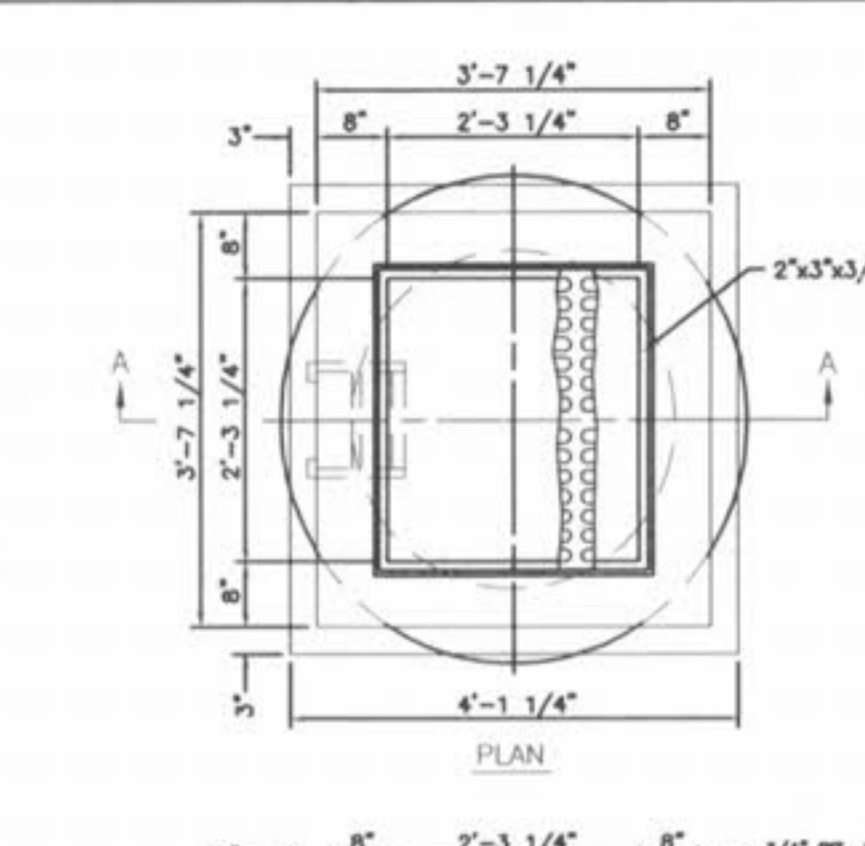


NOTES:
 A. SET 2 STANDARD INLET STONES IN 3/4\"/>

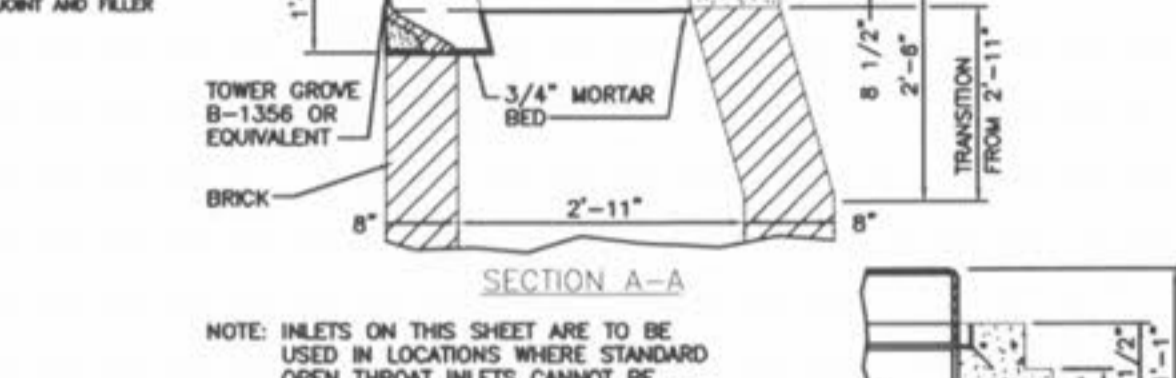
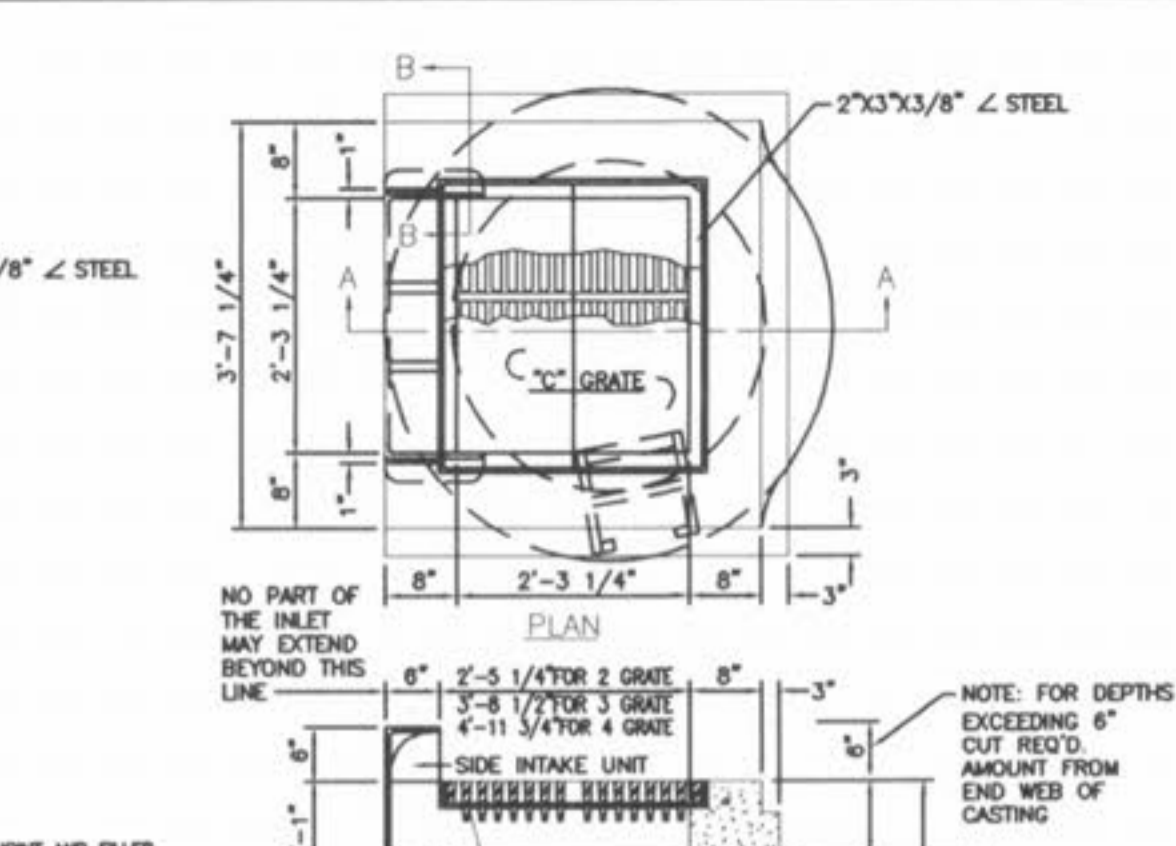
PRE-CAST CONCRETE UNIT FOR DOUBLE CURB INLET (WITH BRICK BASE)



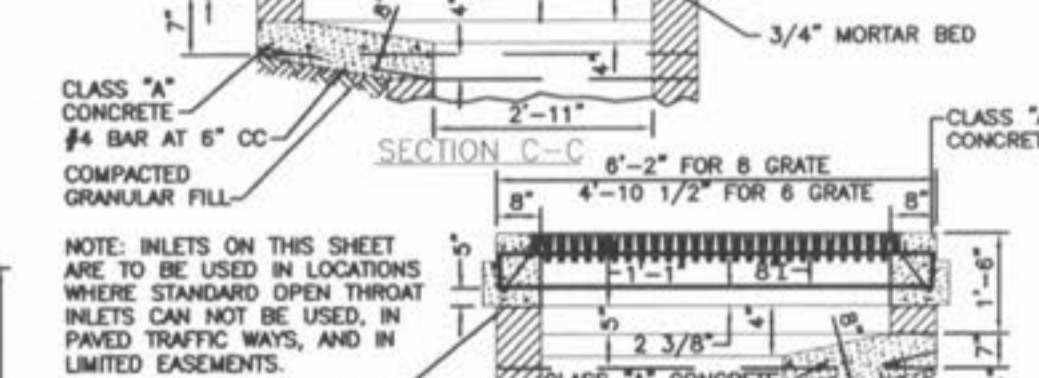
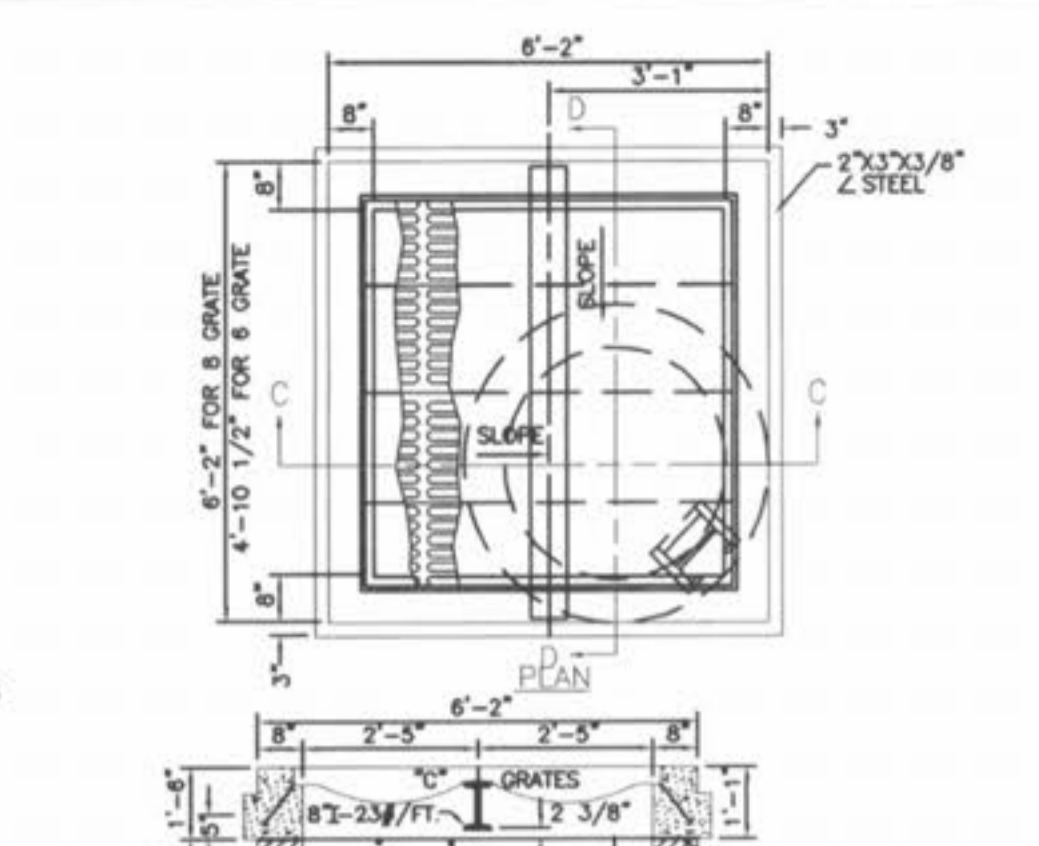
DOUBLE AREA INLET OPEN 4 SIDES



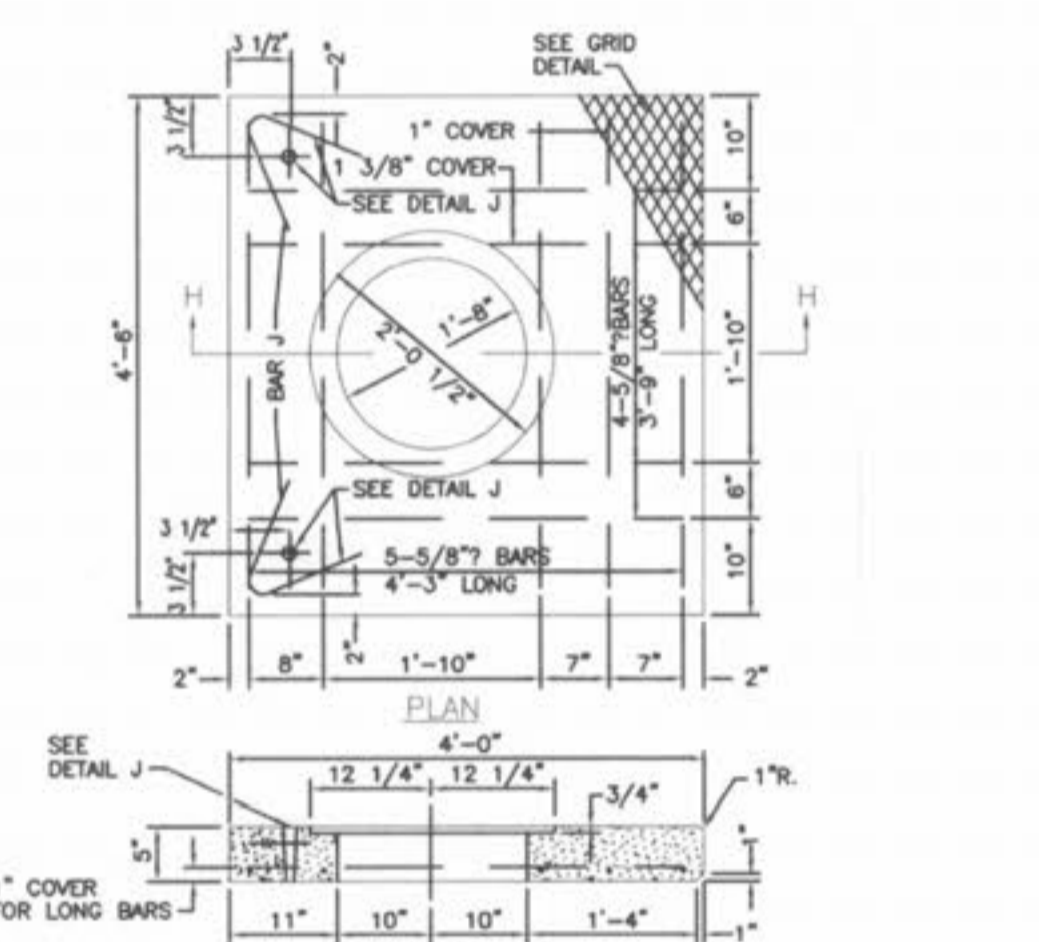
2 GRATE INLET



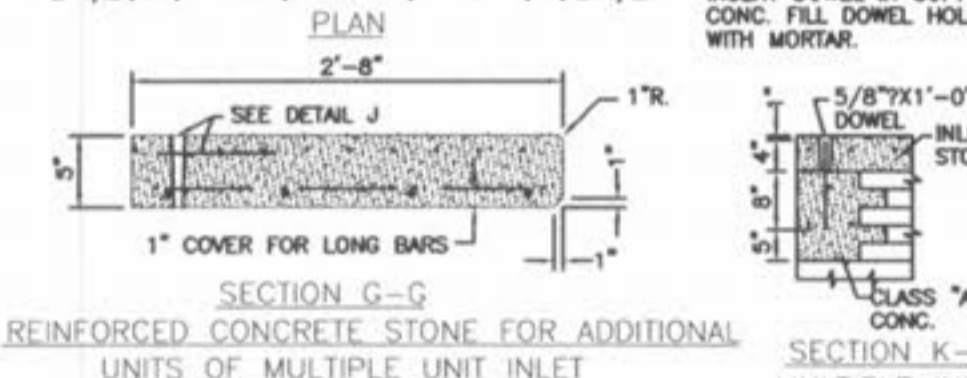
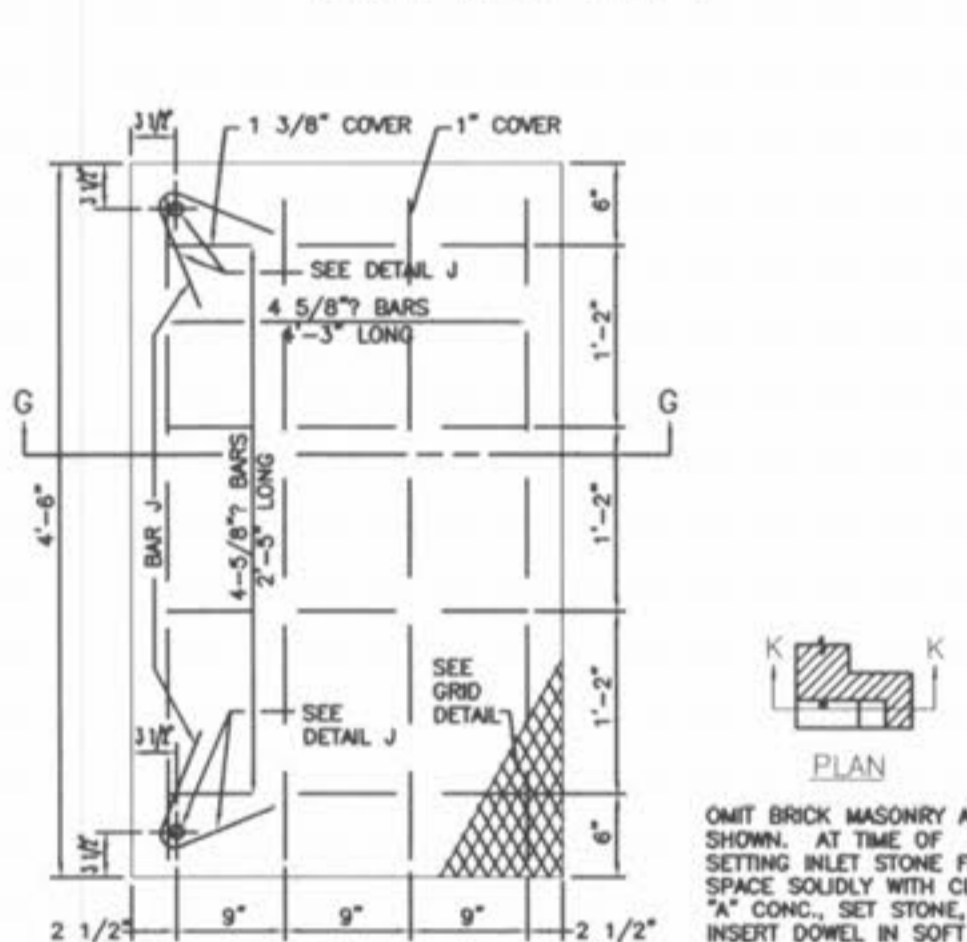
2 GRATE INLET WITH SIDE INTAKE UNIT



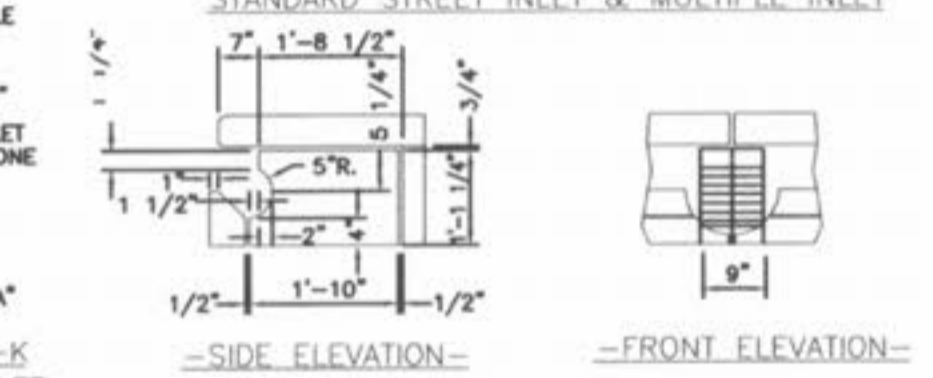
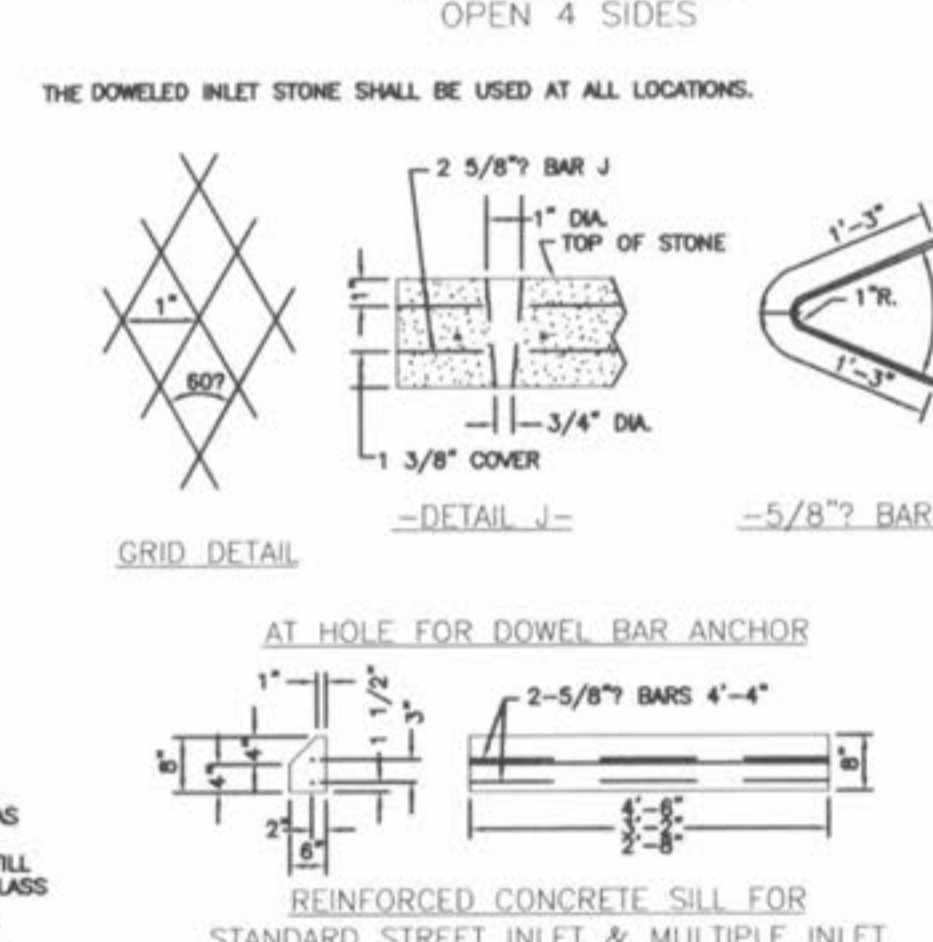
6 & 8 GRATE INLET



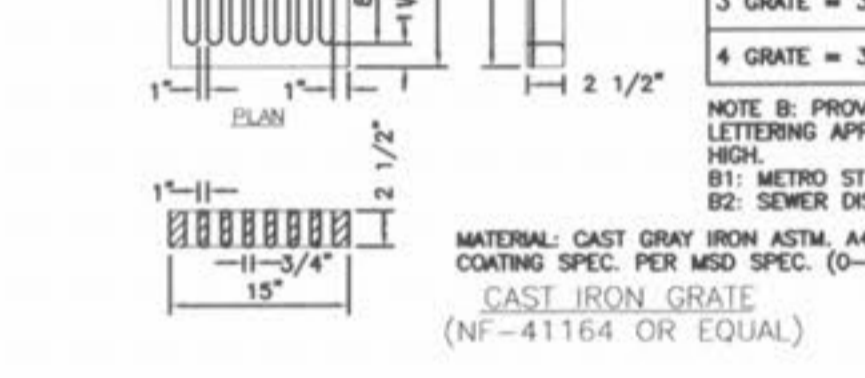
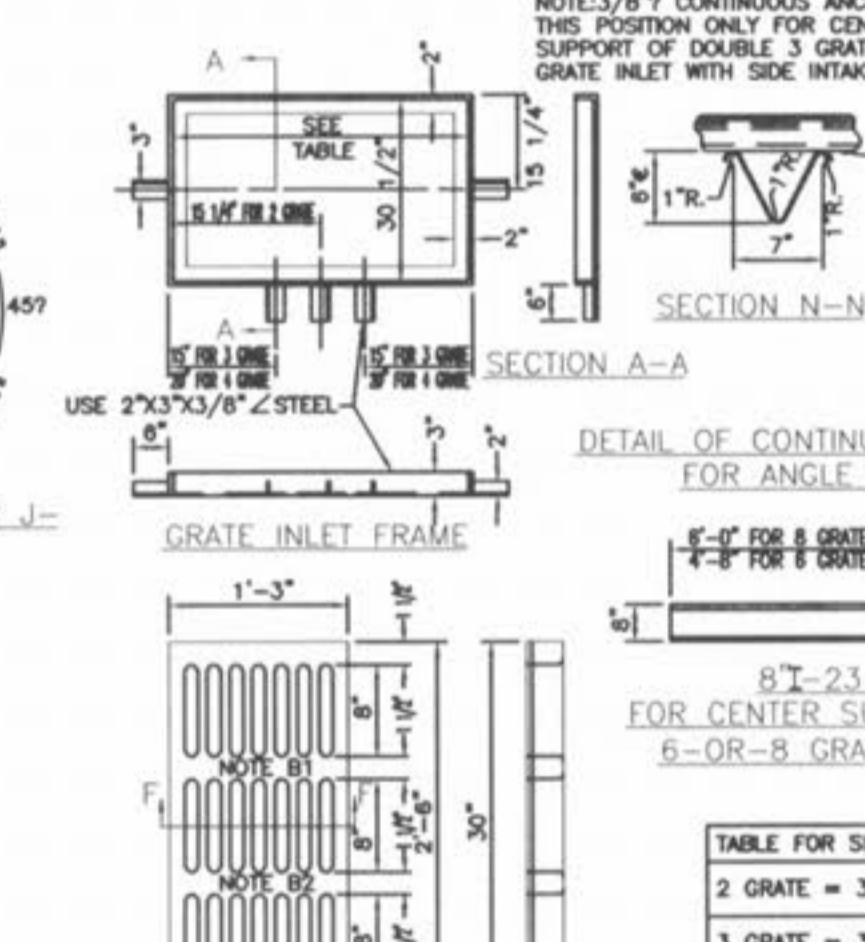
STANDARD - INLET STONES, BLOCKS & DESIGN DETAILS



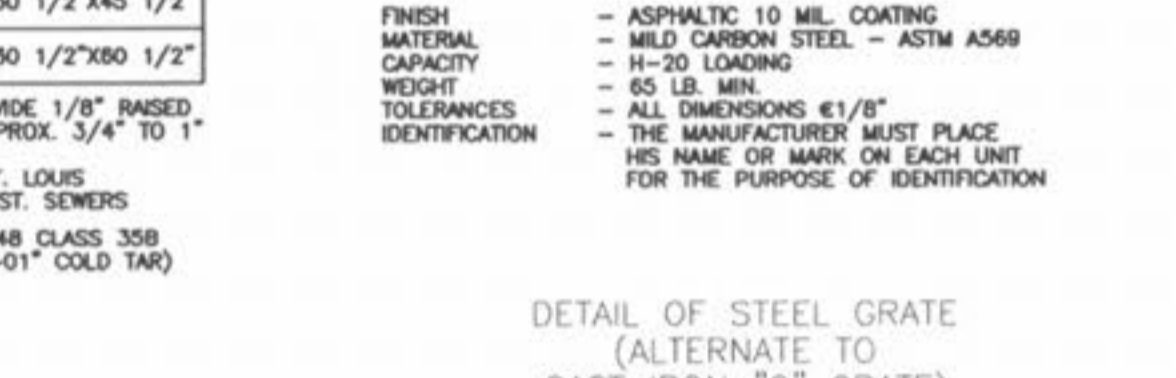
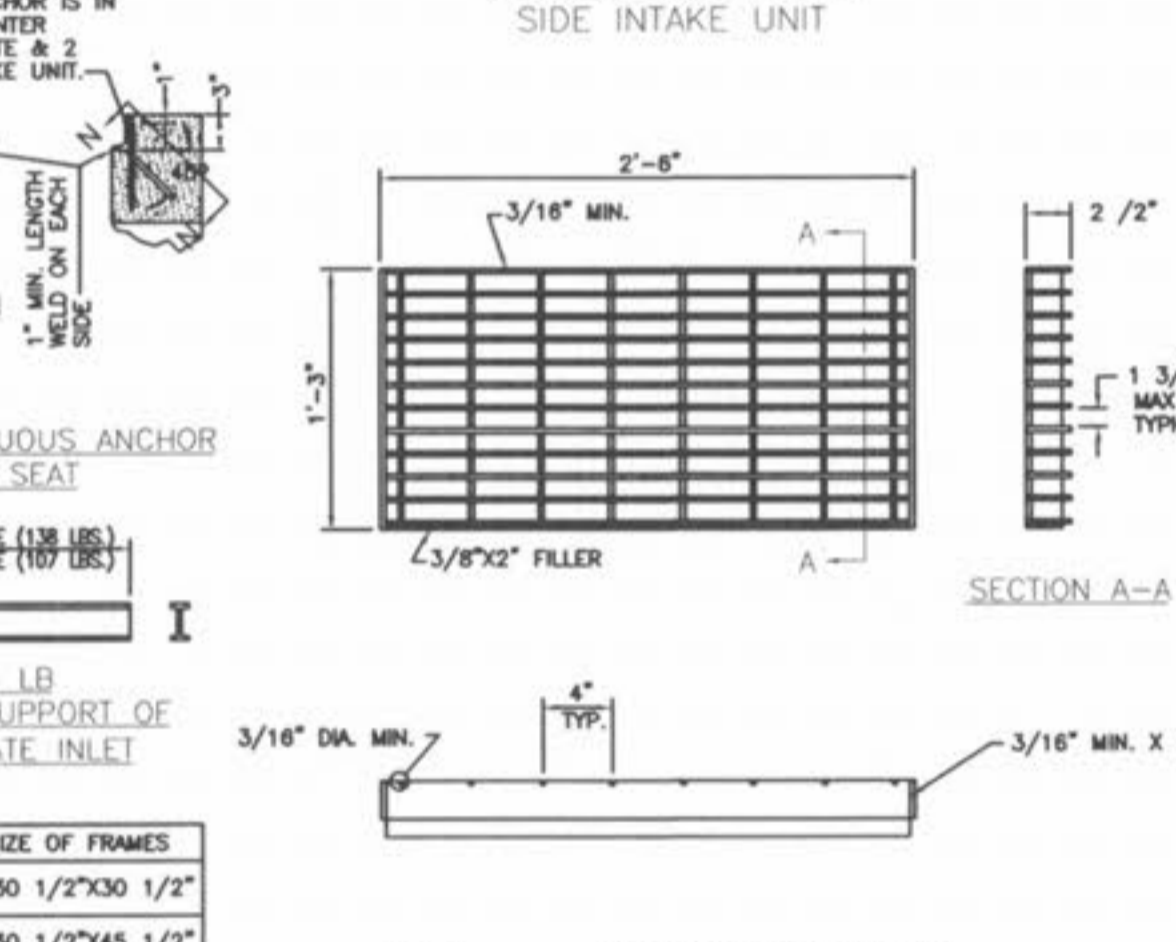
REINFORCED CONCRETE SILL FOR STANDARD STREET INLET & MULTIPLE INLET



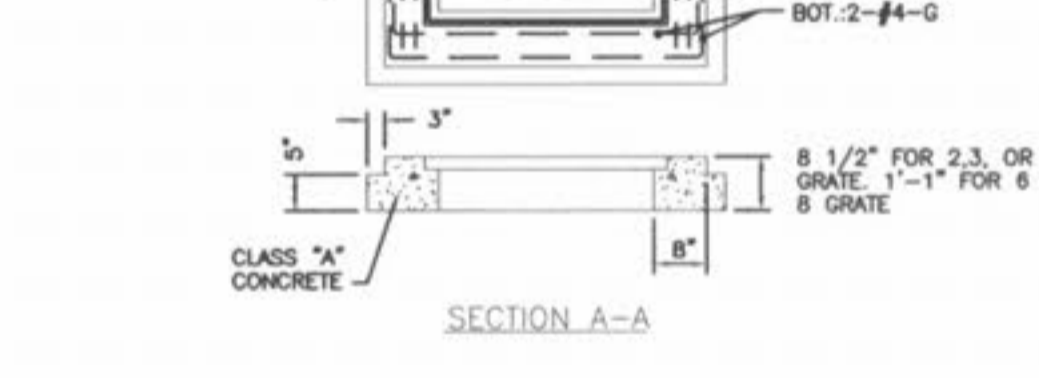
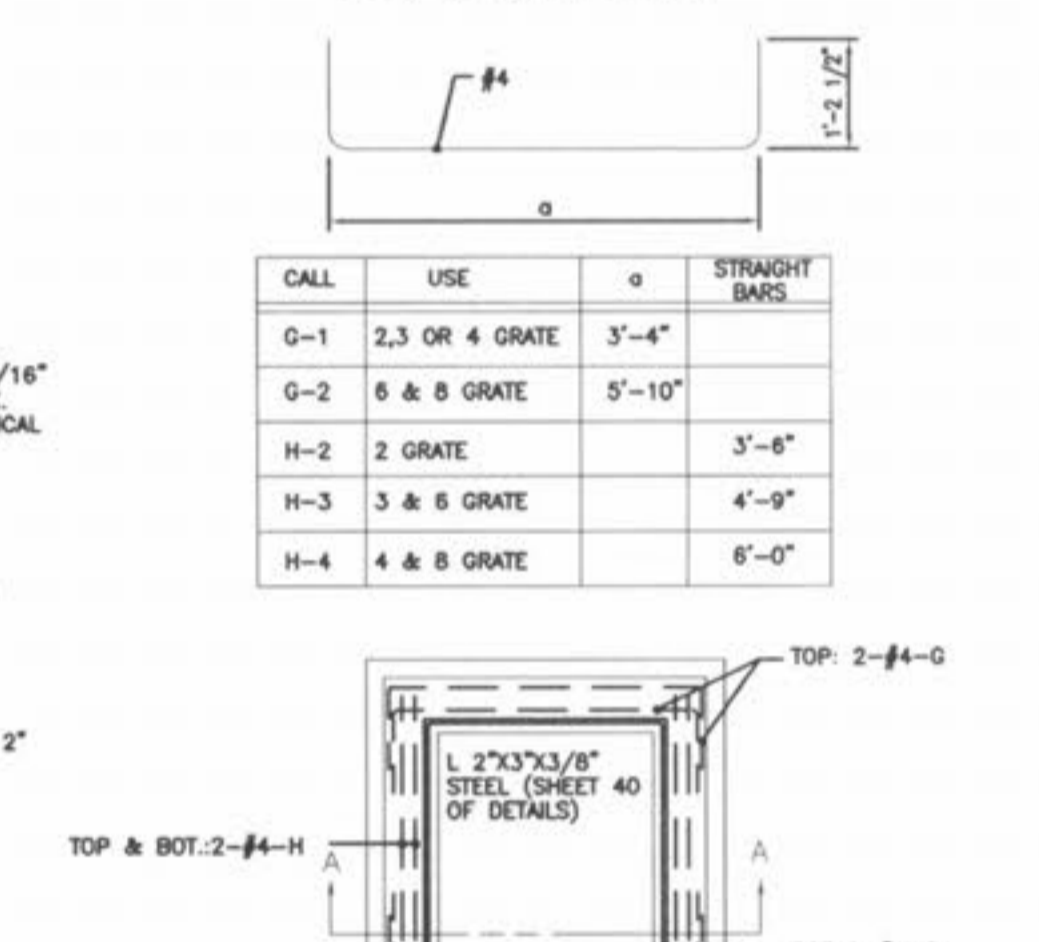
DETAIL OF CONTINUOUS ANCHOR FOR ANGLE SEAT



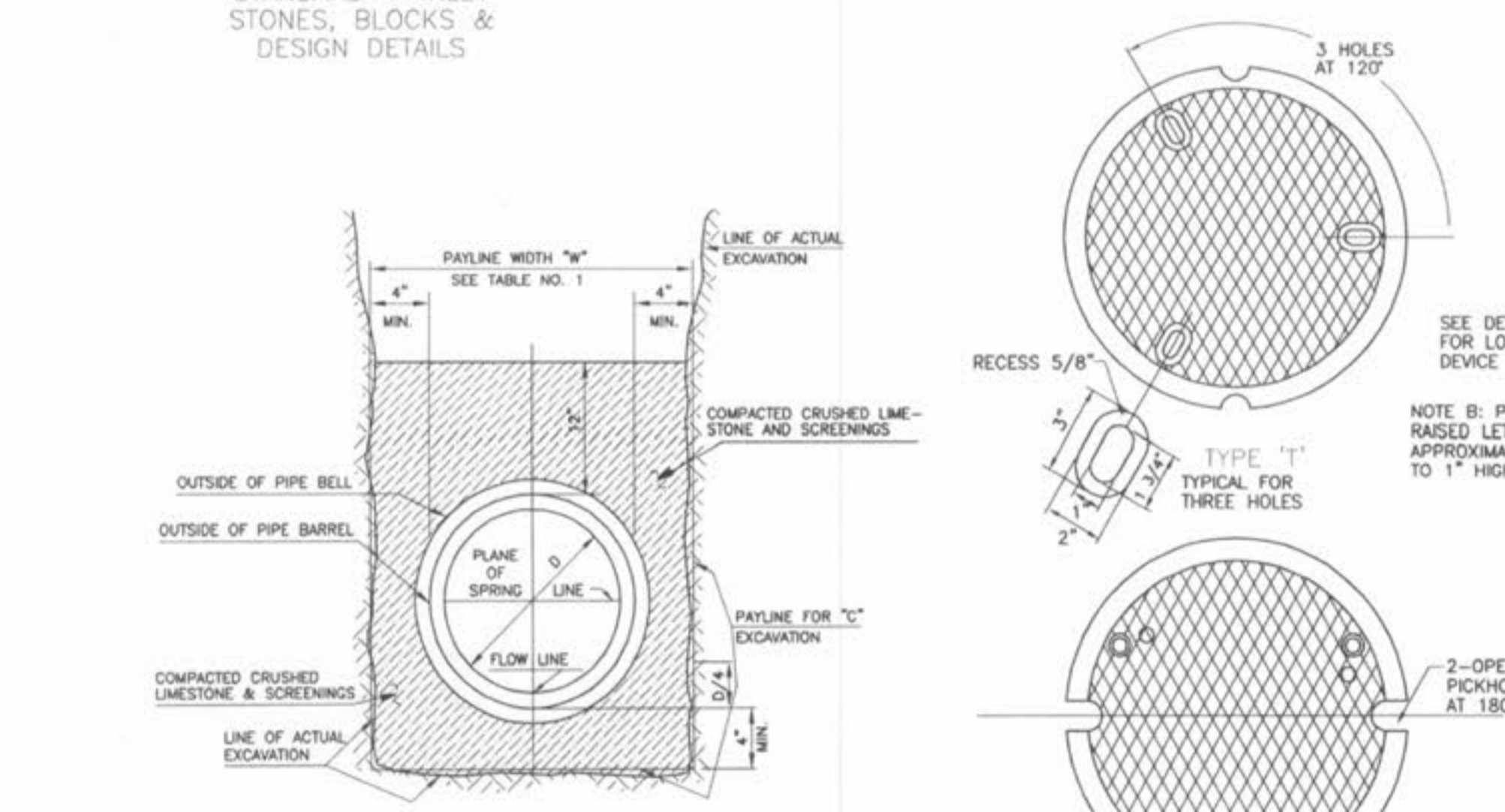
DETAILS OF INLET FRAME AND GRATES



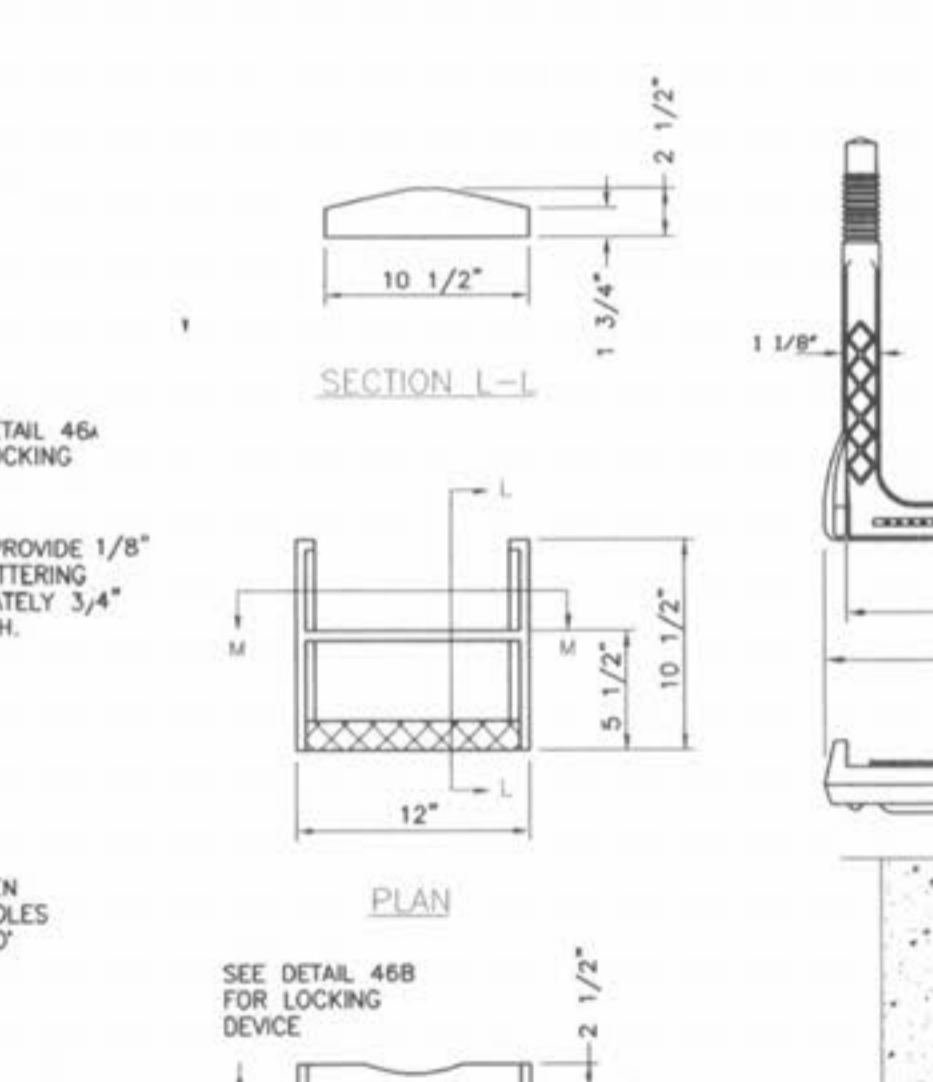
DETAIL OF STEEL GRATE (ALTERNATE TO CAST IRON 'C' GRATE)



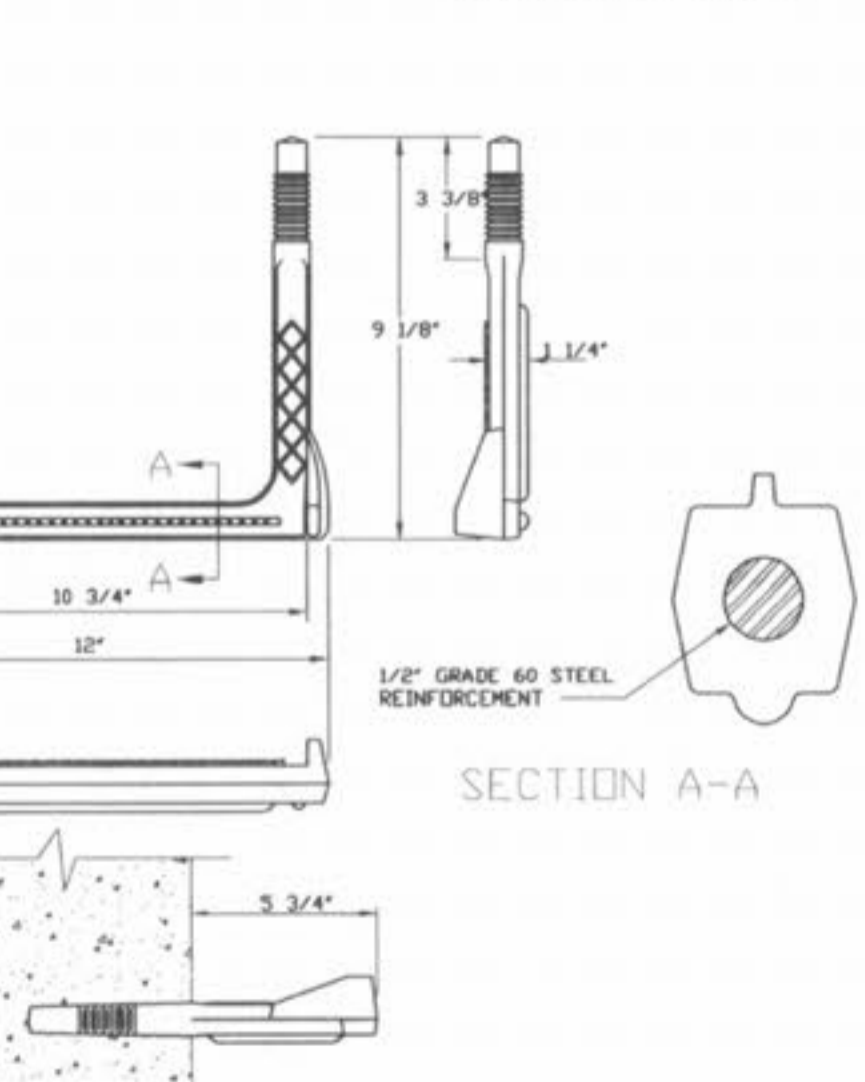
STEEL REQUIREMENTS FOR GRATE INLET SEAT



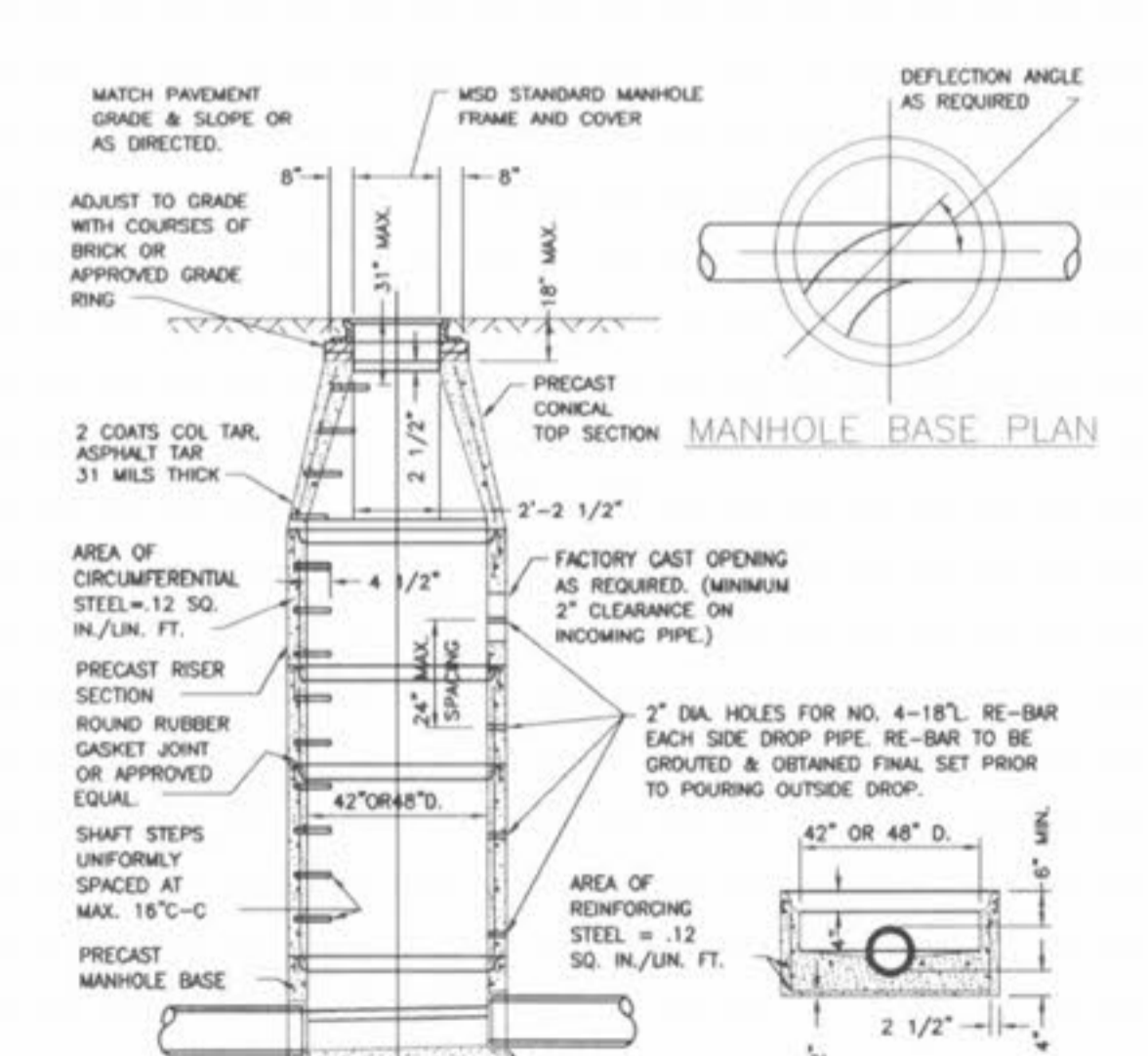
PIPE BEDDING CLASS 'C' (FOR ALL PIPE EXCEPT REINFORCED CONCRETE PIPE)



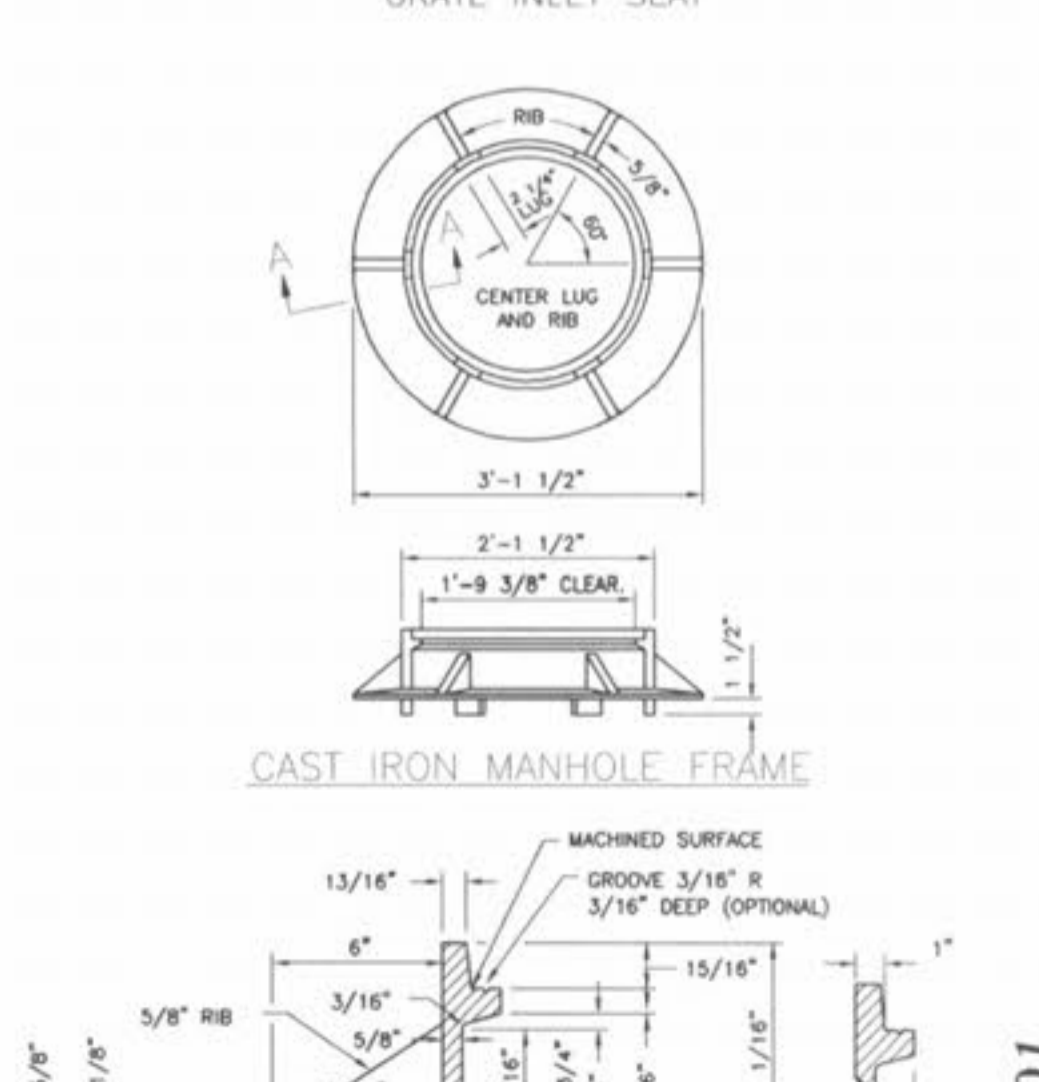
CAST IRON MANHOLE COVERS (LOCK TYPE)



COPOLYMER POLYPROPYLENE PLASTIC MANHOLE STEP FOR PRECAST MANHOLE



PRE-CAST CONCRETE MANHOLE FOR SEWERS 8" THROUGH 12"



CAST IRON MANHOLE FRAME

PICKETT RAY & SILVER
 CIVIL ENGINEERS
 PLANNERS
 LAND SURVEYORS

333 Mid Rivers Mall Drive
 St. Peters, MO 63376
 Phone (636) 397-1211
 Fax (636) 397-1104

BROOKSIDE VILLAGE A
 LIFT STATION & OFF-SITE FORCE MAIN
 CONSTRUCTION DETAILS

Prepared For:
SUMMIT POINTE L.C.

239 FOX HILL ROAD
 ST. CHARLES, MO. 63301
 636-940-9300

CALL	USE	Ø	STRAIGHT BARS
G-1	2,3 OR 4 GRATE	3'-4"	
G-2	6 & 8 GRATE	5'-10"	
H-2	2 GRATE	3'-6"	
H-3	3 & 6 GRATE	4'-9"	
H-4	4 & 8 GRATE	6'-0"	

REVISIONS

NO.	DATE	REV.	PER	CITY COMMENTS
3	8/11/05			

ENGINEERS AUTHENTICATION
 The responsibility for professional engineering liability on this project is hereby limited to the set of plans authenticated by the seal, signature, and date hereunder attached. Responsibility is disclaimed for all other engineering plans involved in this project and specifically excludes revisions after this date unless reauthenticated.
 PICKETT RAY & SILVER, INC.
 HAROLD J. BARTCH
 REGISTERED PROFESSIONAL ENGINEER
 NUMBER E-17751

PROJECT # 03029 SUPD.01R
 TASK # 4 FIELD BOOK

DRAWN JEE DATE 8-26-04
 CHECKED DWD DATE 8-26-04

BROOKSIDE - LIFT STATION & OFF-SITE FORCE MAIN CONSTRUCTION DETAILS
 SHEET 37A OF 149

P & Z NO. 2603.01