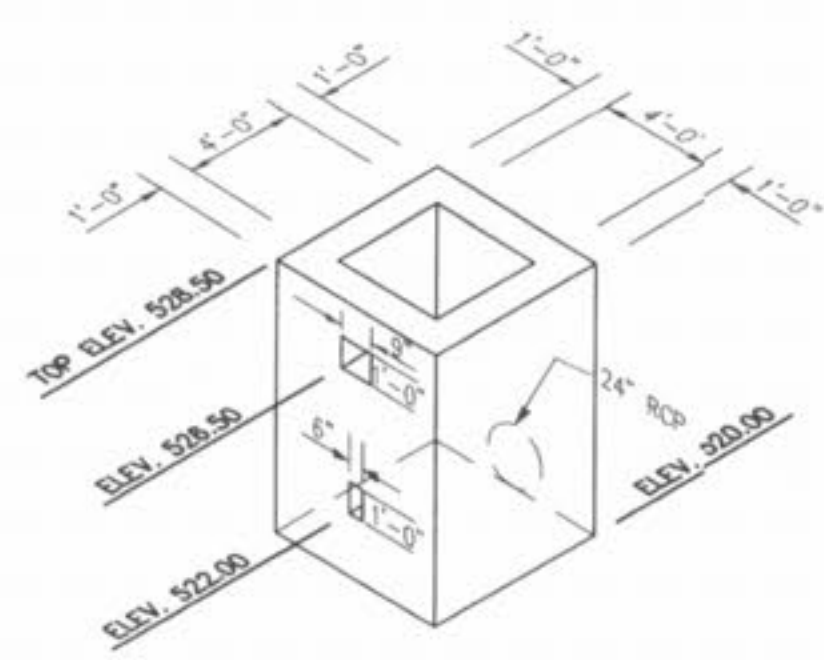


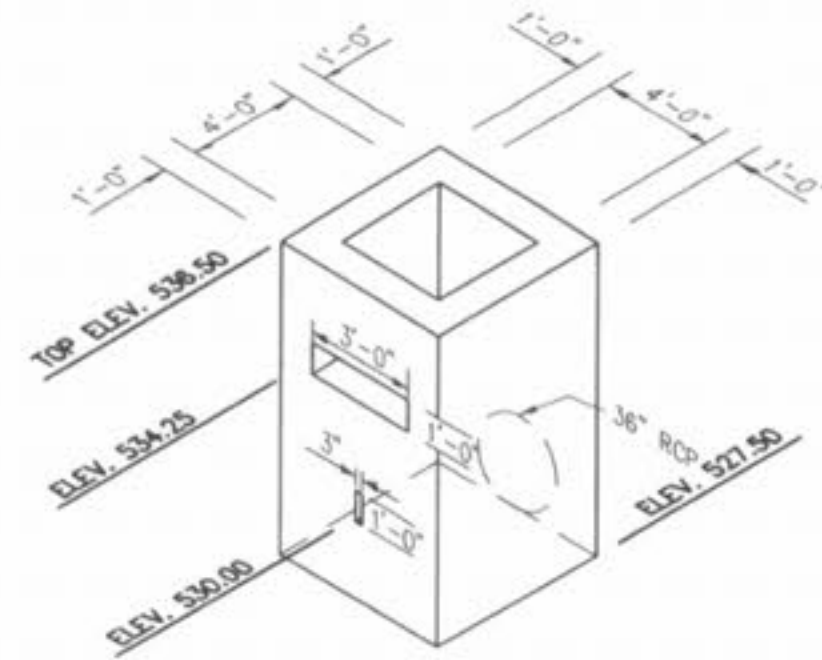
SE OUTFALL STRUCTURE
OS-510

NTS



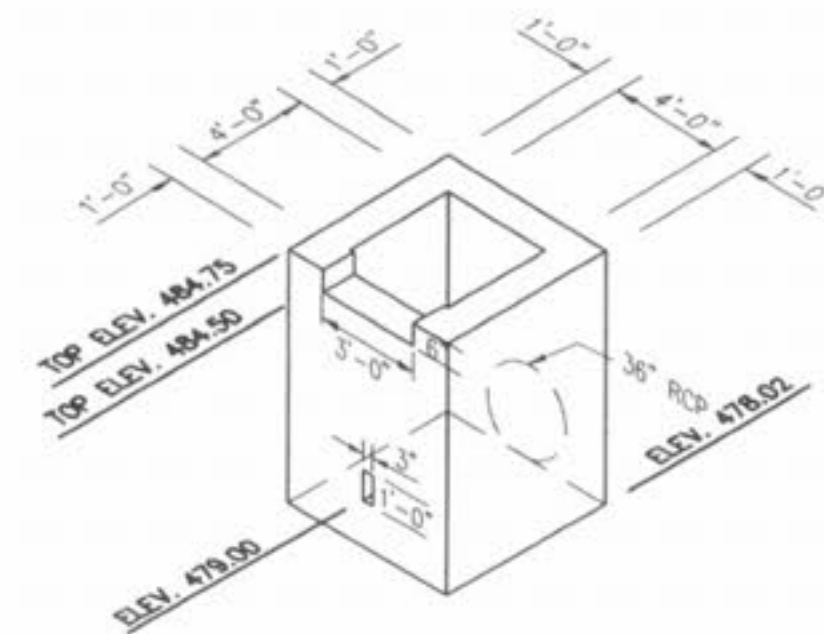
SE OUTLET OUTFALL STRUCTURE
OS-525

NTS



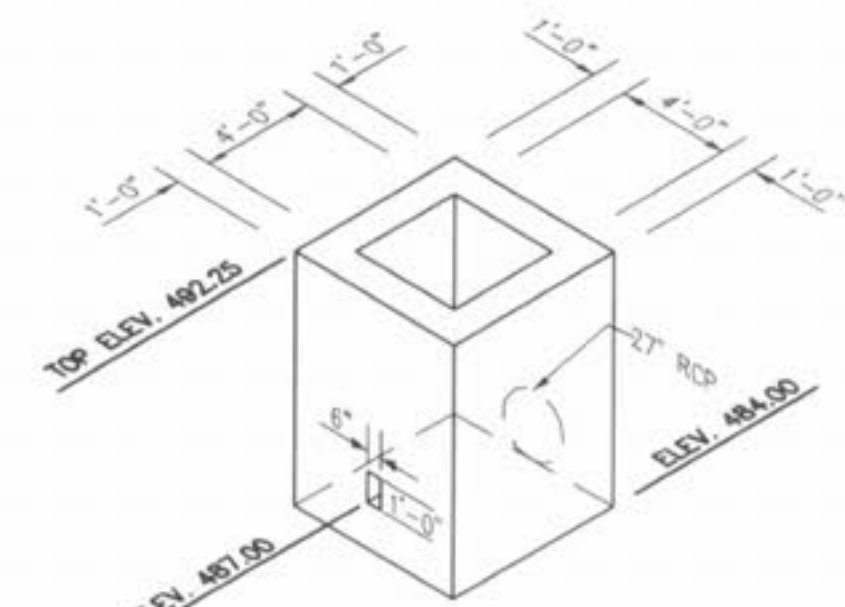
SW OUTLET OUTFALL STRUCTURE
OS-570

NTS



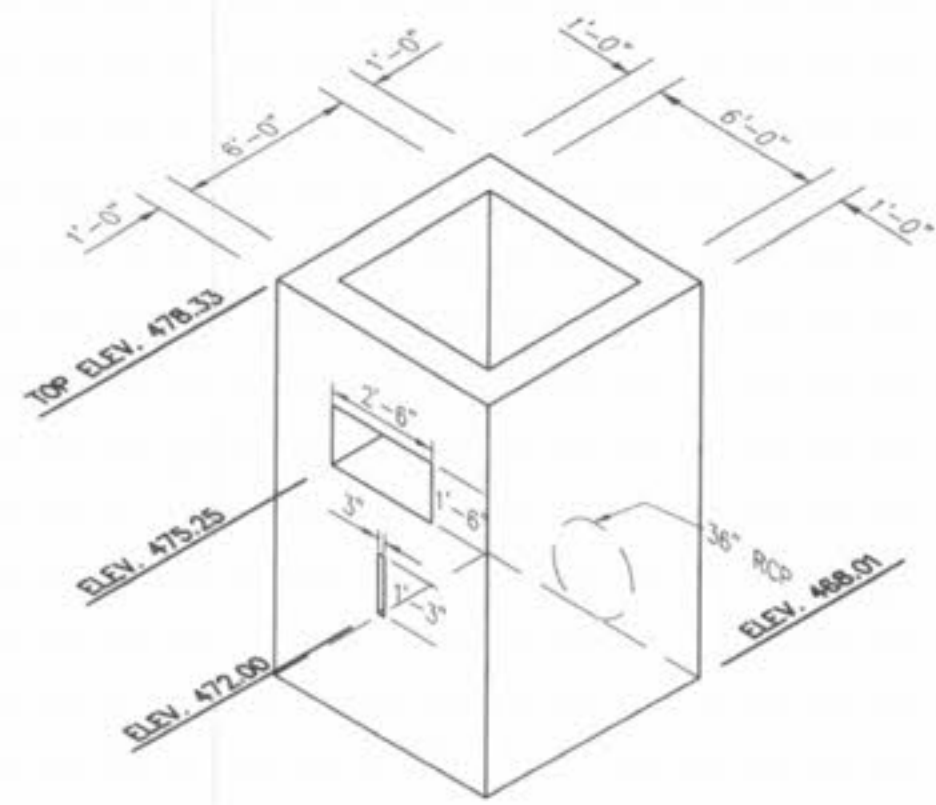
S MID2 OUTFALL STRUCTURE
OS-603

NTS



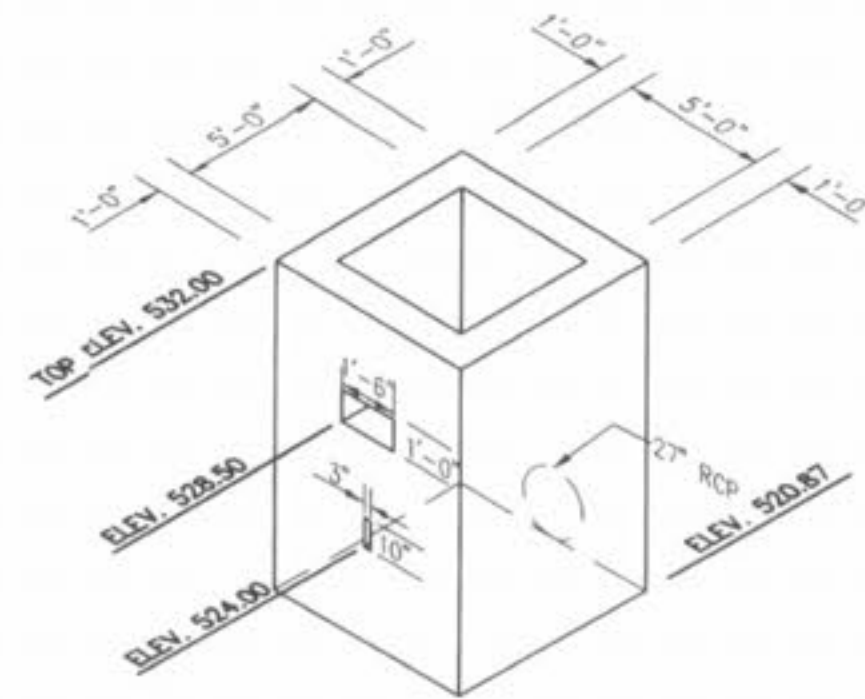
S MID OUTFALL STRUCTURE
OS-608

NTS



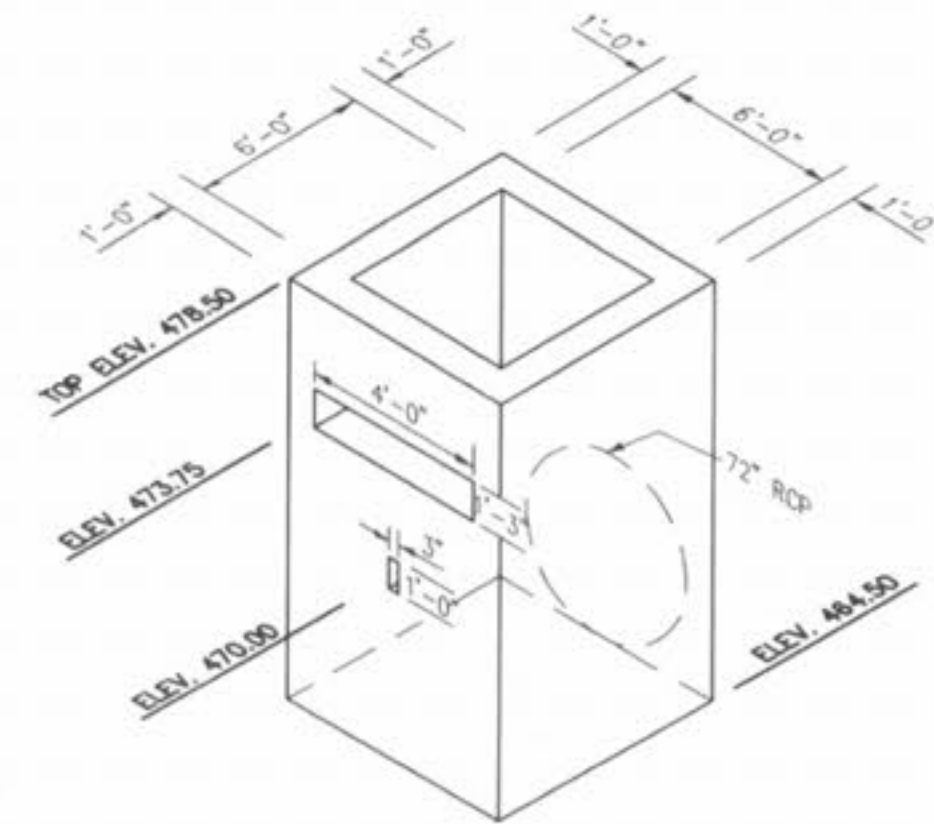
EAST CENTER
OUTFALL STRUCTURE
OS-652

NTS



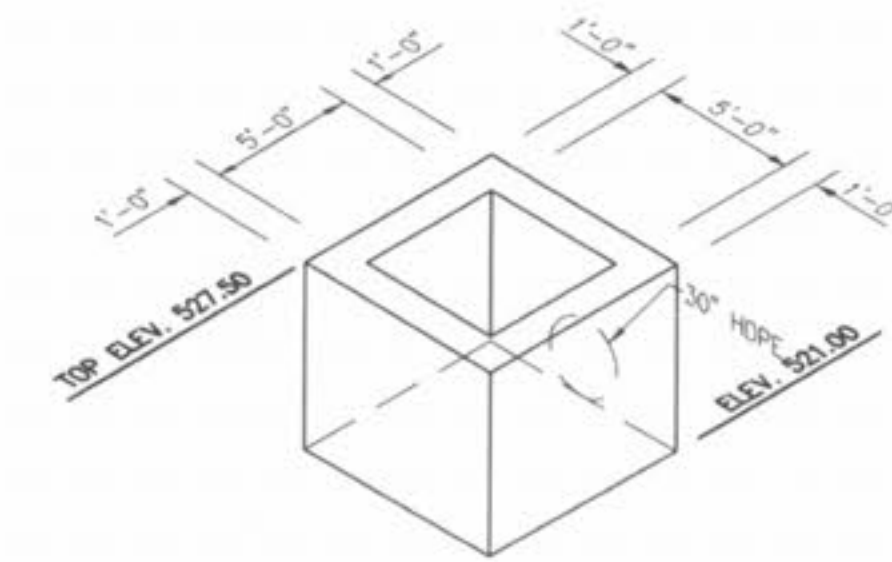
NW OUTFALL STRUCTURE
OS-782

NTS



NE OUTFALL STRUCTURE
OS-704

NTS



N MID
OUTFALL STRUCTURE
OS-726

NTS

NOTE: ALL OUTFALL STRUCTURES
ARE TO HAVE A GRATE TOP:
#4 BARS @ 6" ON CENTERS
TACKWELDED AND ATTACHED
WITH ANCHOR BOLTS

REVISIONS	NO.	DATE	REVISED PER CLIENT	REV. PER CITY COMMENTS
	1	06/14/05		
	2	06/14/05		
	3	08/11/05		

ENGINEERS AUTHENTICATION
The responsibility for professional engineering liability on this project is hereby limited to the set of plans authenticated by the seal, signature, and date hereunder attached. Responsibility is disclaimed for all other engineering plans involved in this project and specifically excludes revisions after this date unless reauthenticated.



DRAWN MAK	DATE FEB., 2005
CHECKED DWD	DATE FEB., 2005
PROJECT # 03029.SUPO.01R	
TASK # 002	FIELD BOOK 847

\\sawyers\Projects\03029\dwg\03029BASIN_DES.dwg, 8/17/2005 1:25:01 PM, MKE K