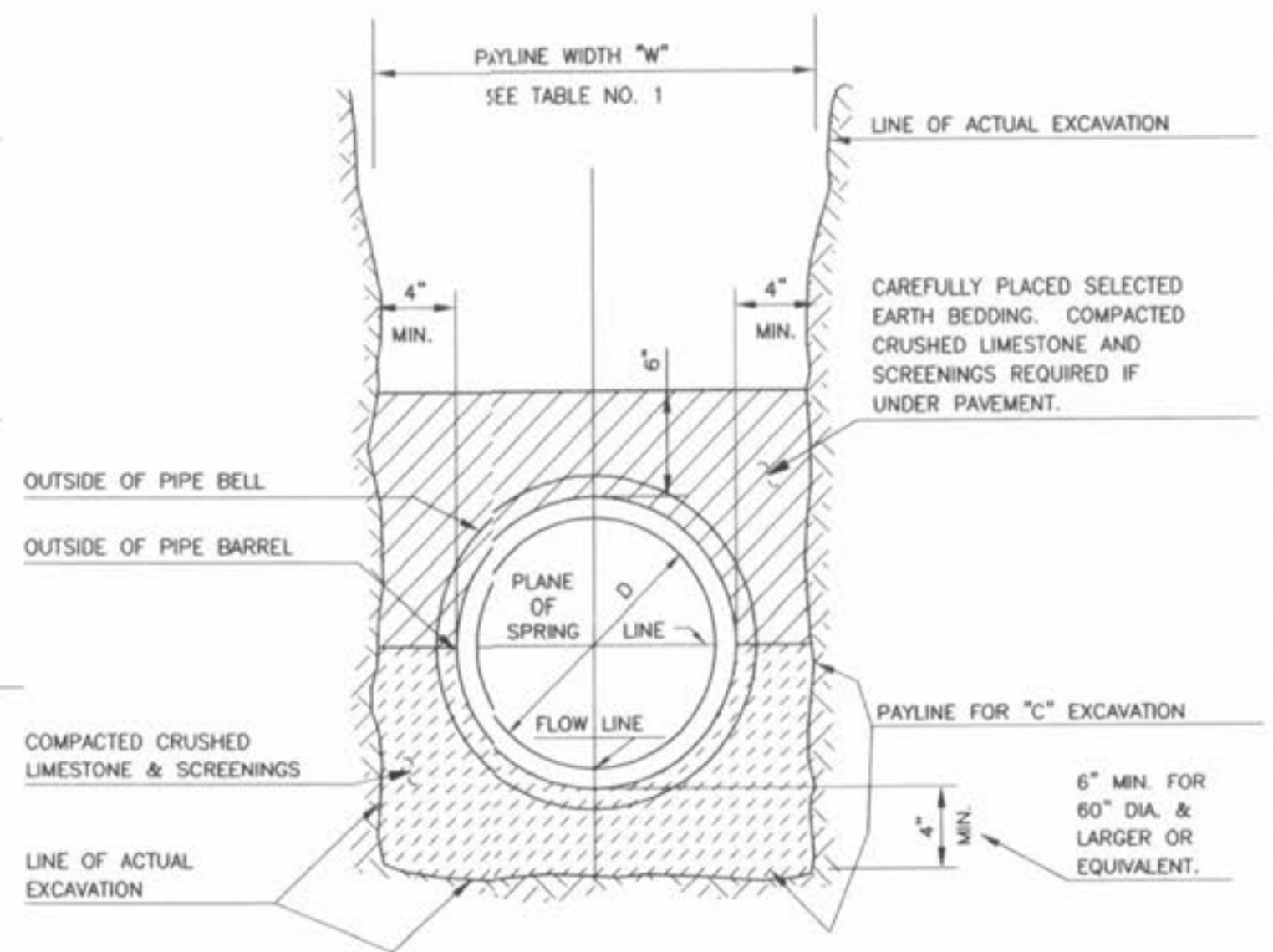
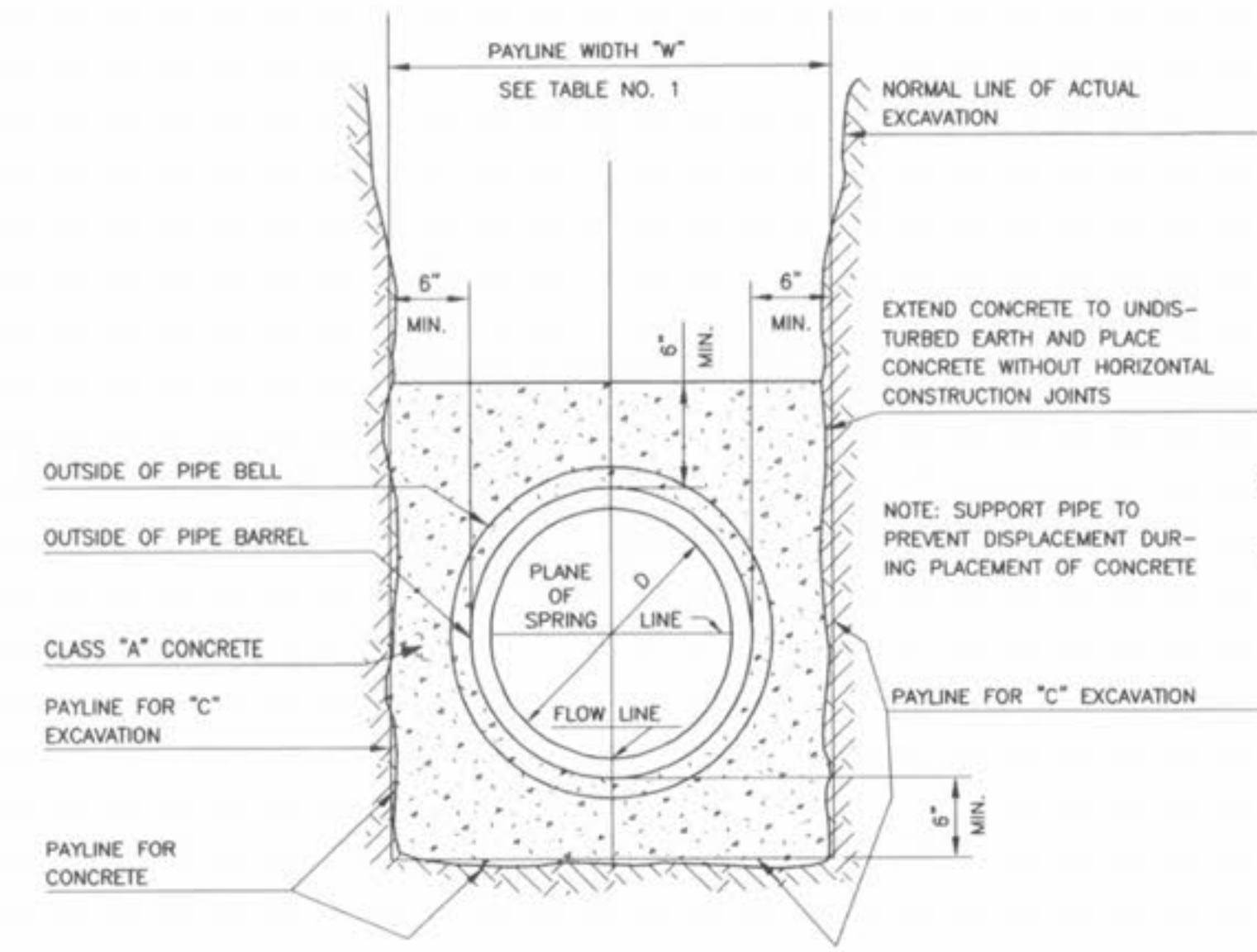


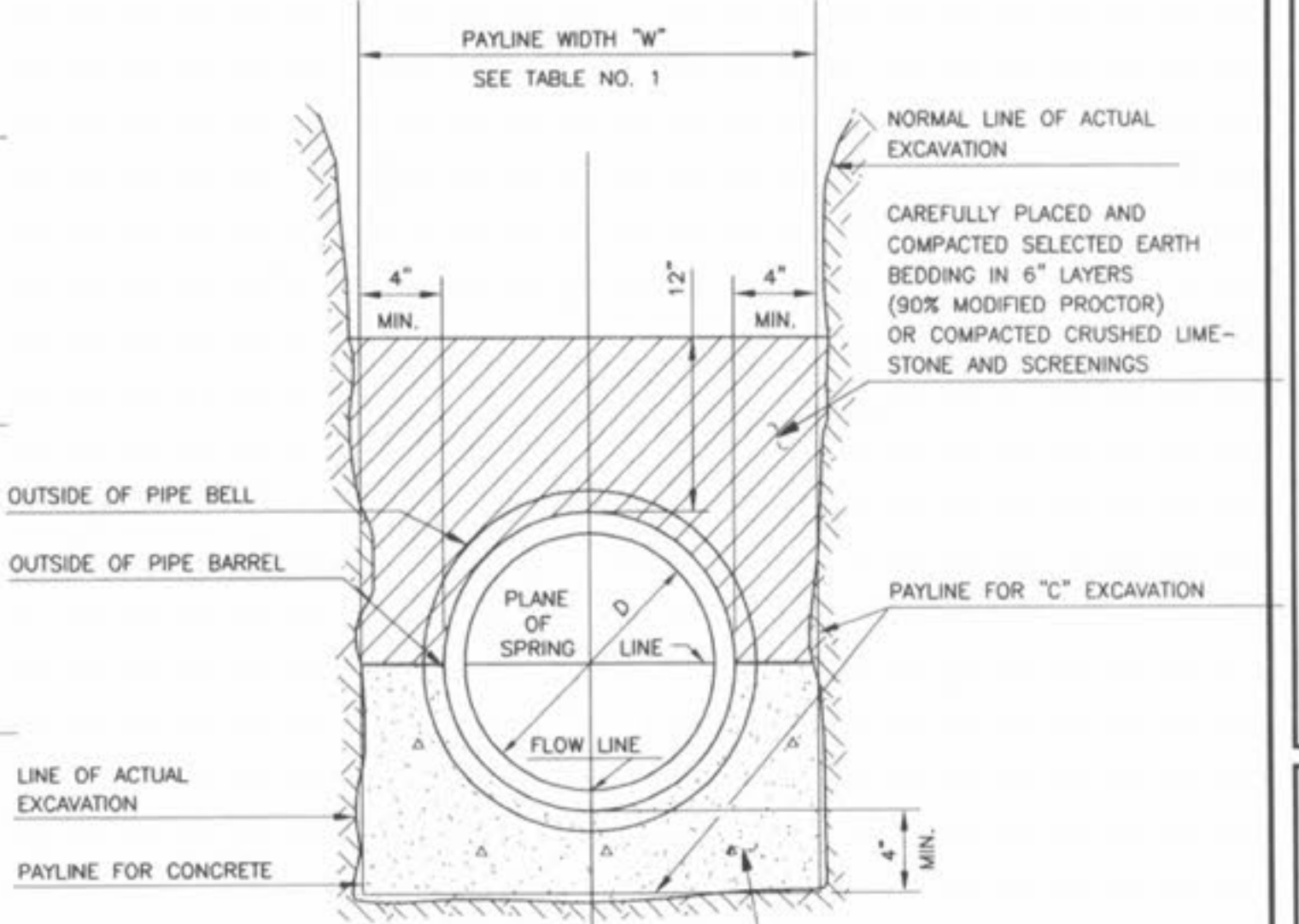
PIPE BEDDING CLASS "C"
(FOR ALL PIPE EXCEPT REINFORCED CONCRETE PIPE)



PIPE BEDDING CLASS "C"
(MODIFIED FOR REINFORCED CONCRETE PIPE)



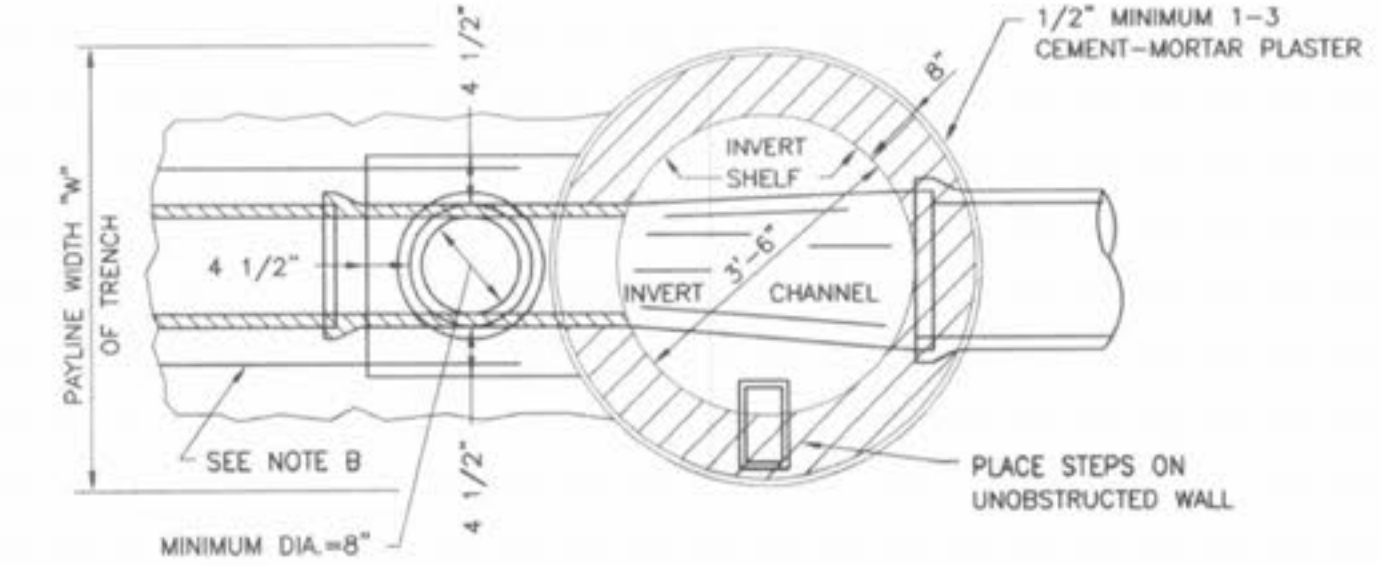
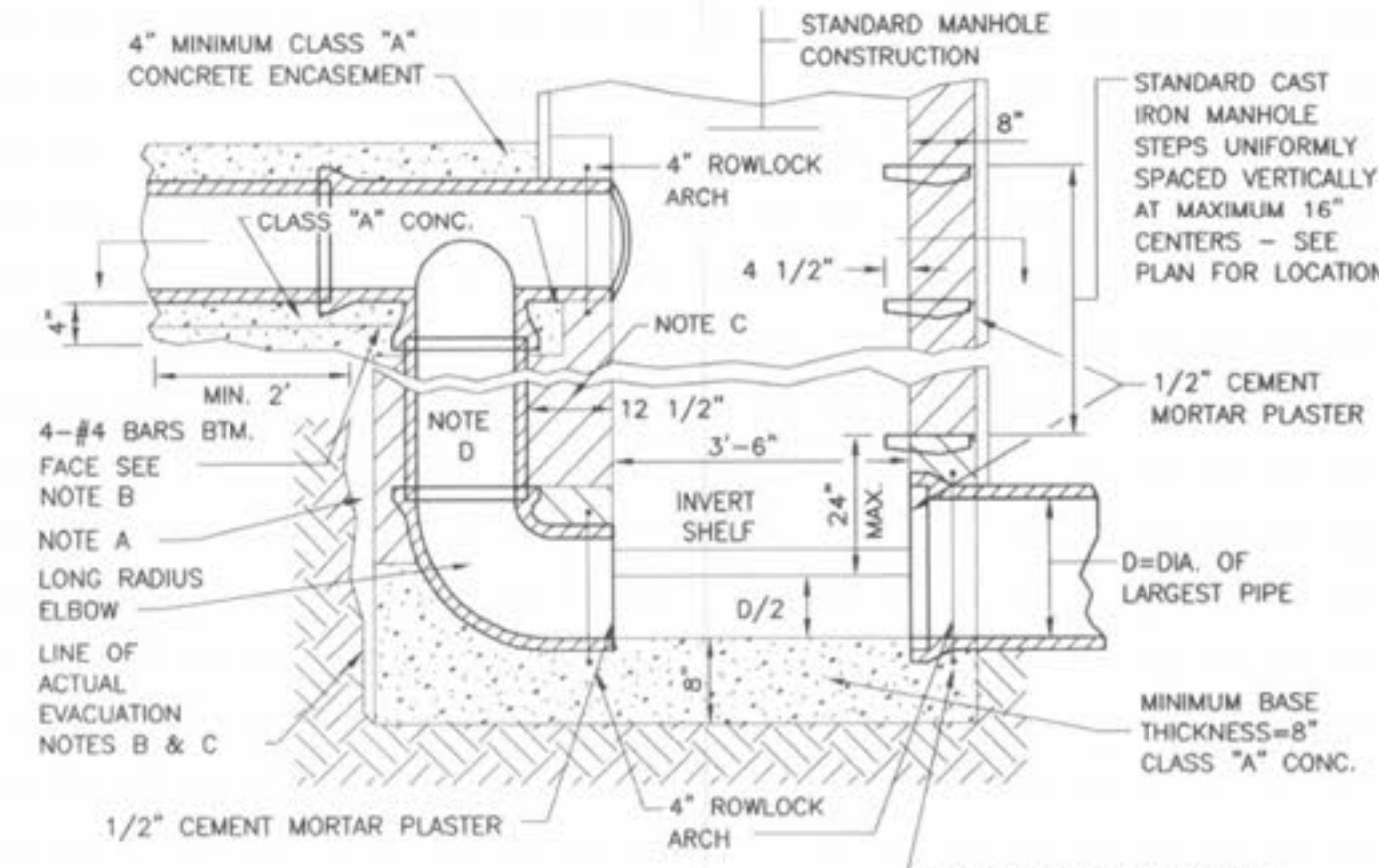
CONCRETE ENCASEMENT



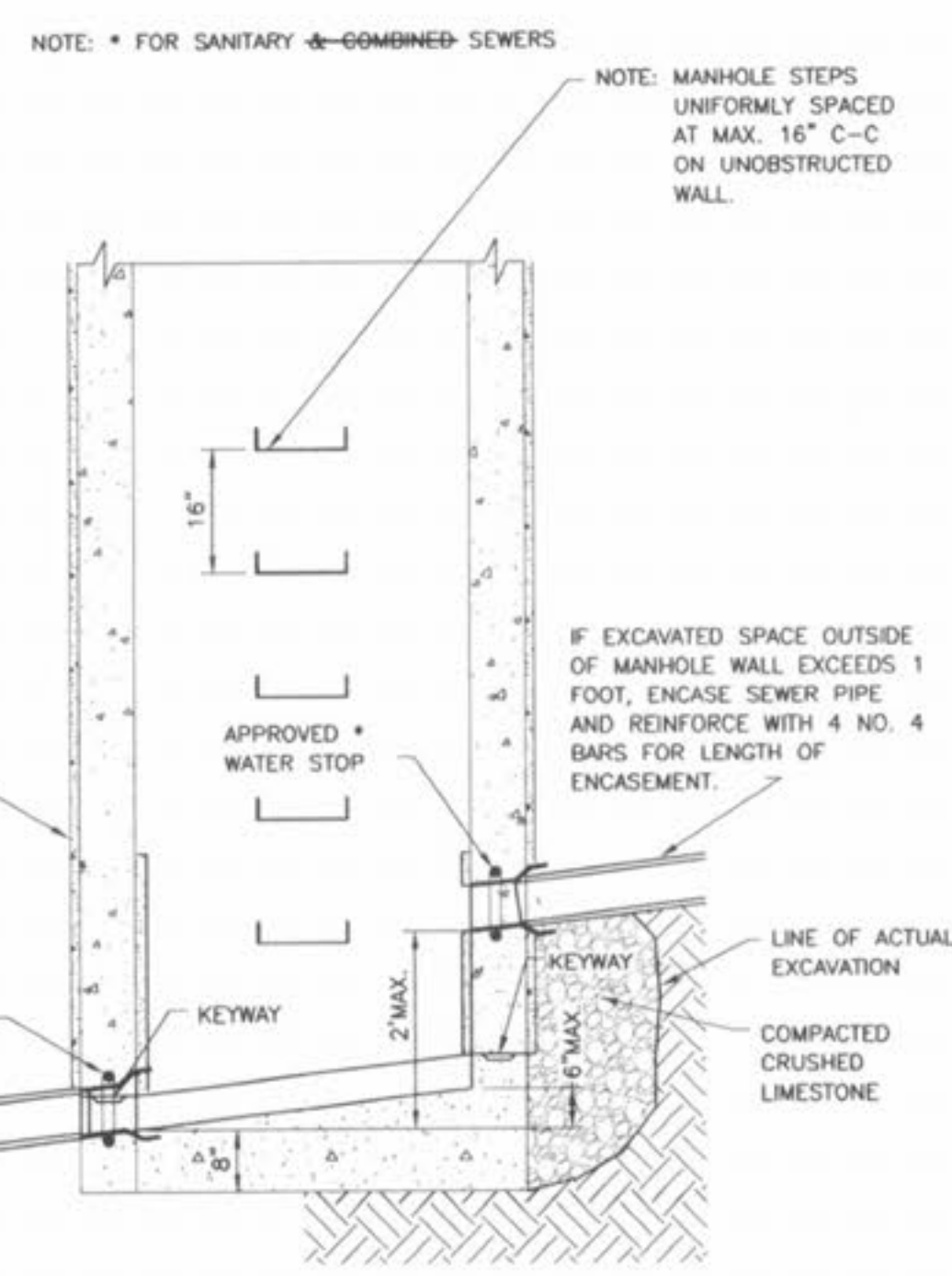
(CLASS "A" BEDDING)
CONCRETE CRADLE

ALSO FOR PIPE SEWERS ON GRADES 25% TO 50% INCLUSIVE.
FOR GRADES EXCEEDING 50% SEE PROJECT SPECIFICATIONS.

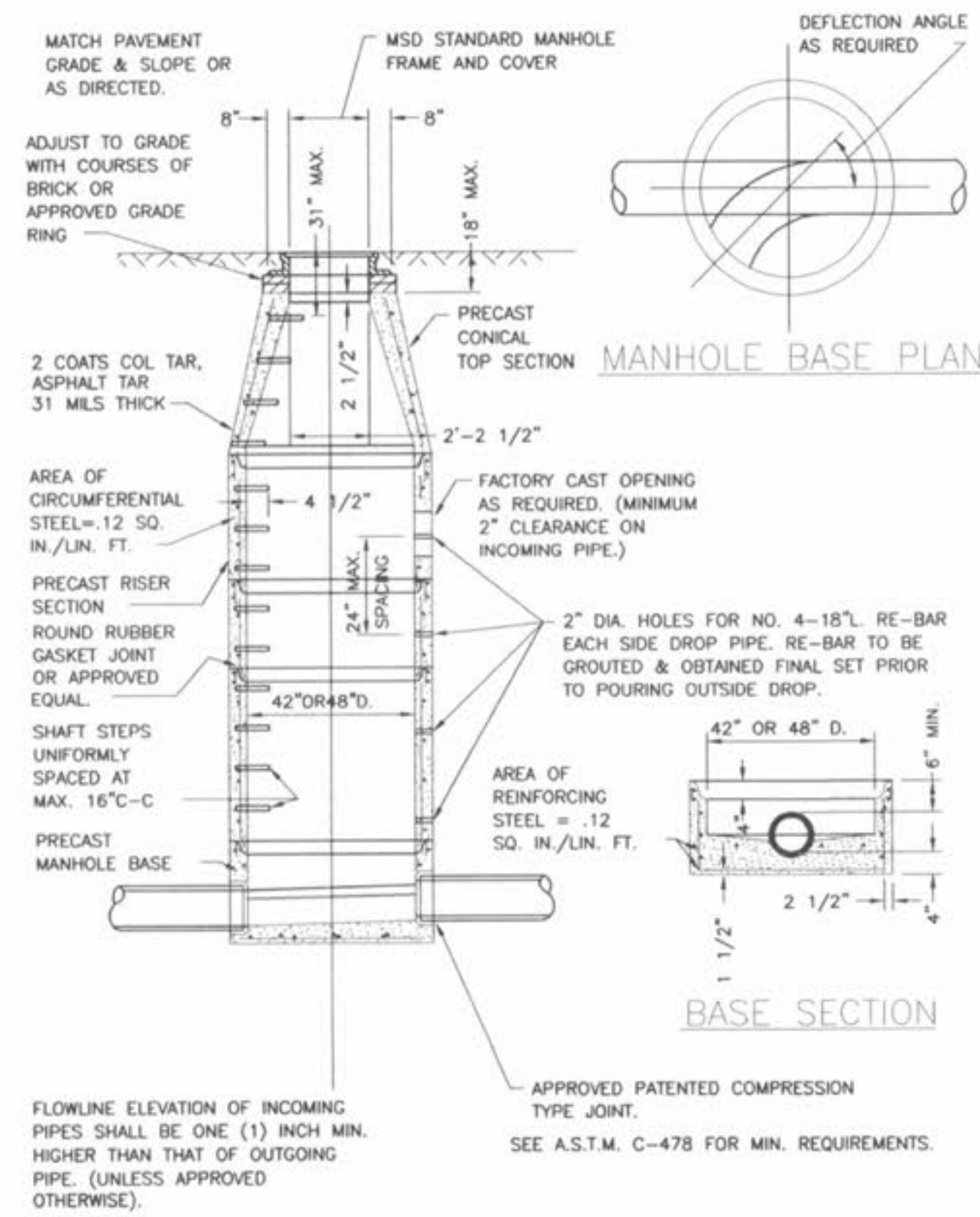
CLASS "A" CONCRETE. FOR PLASTIC PIPE USE CONCRETE COLLARS TWO FEET LONG AND SIX INCHES THICK EVERY TWELVE FEET ADJACENT TO AND DOWN STREAM OF BELLS.
(IN LIEU OF CONC. CRADLE)



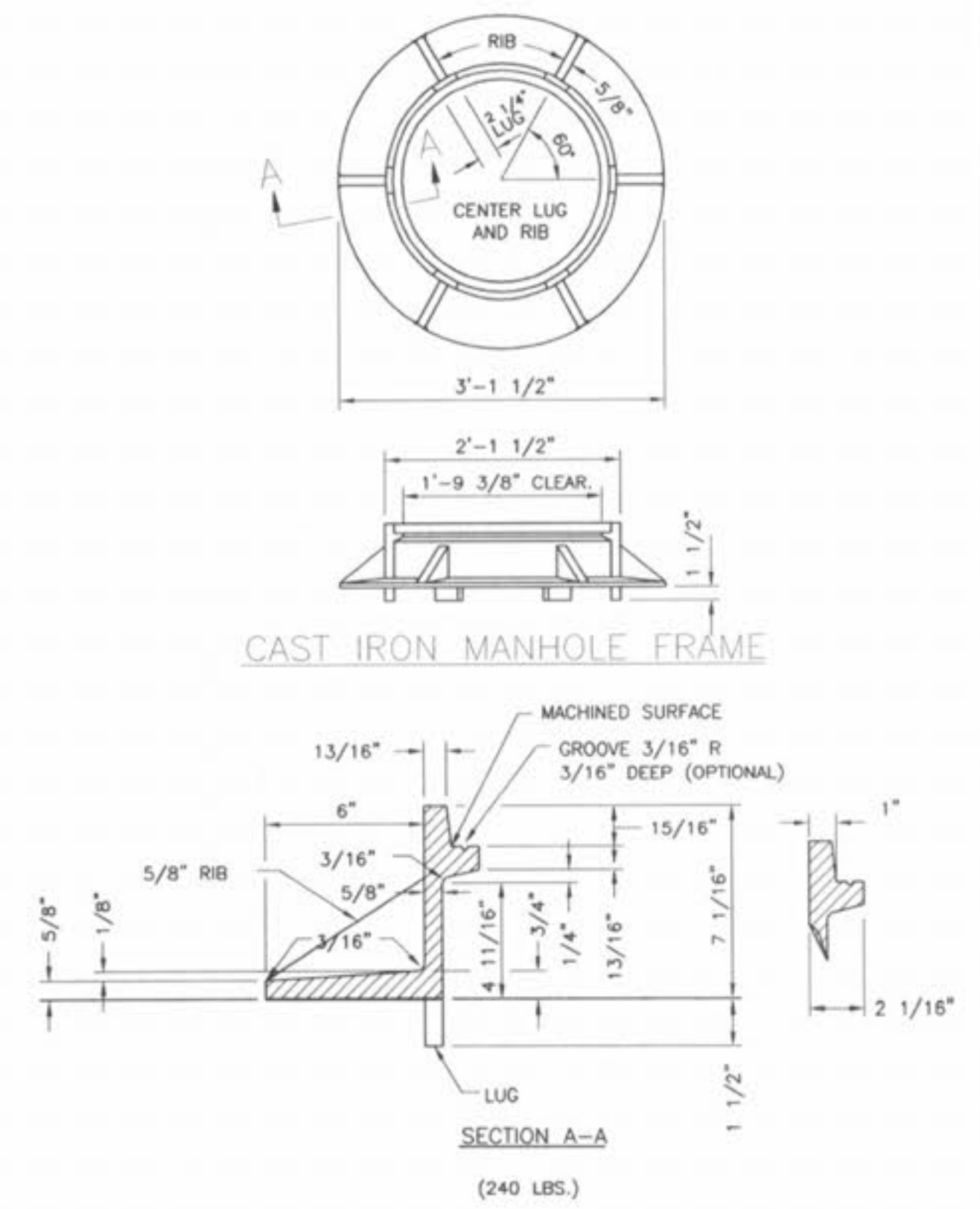
PLAN SECTION
OUTSIDE FOULWATER DROP MANHOLE



INSIDE DROP
(8" THRU 24" DIA. PIPE)



PRE-CAST CONCRETE MANHOLE FOR SEWERS 8" THROUGH 12"



CAST IRON MANHOLE FRAME

NOTES:
NOTE A: IF LINE OF ACTUAL EXCAVATION EXTENDS BEYOND LINE OF DROP MASONRY, FILL EXCESS EXCAVATED SPACE WITH CONSTRUCTION MATERIAL OF DROP OR PACK WITH COMPACTED CRUSHED LIMESTONE TO BASE OF CLASS "A" CONCRETE ENCASEMENT.
NOTE B: IF EXCAVATED SPACE OUTSIDE OF DROP PIPE MASONRY EXCEEDS 1 FOOT, REINFORCE SEWER PIPE ENCASEMENT WITH A MINIMUM OF 4 NO. 4 BARS FOR LENGTH OF ENCASEMENT.
NOTE C: MASONRY ENCASEMENT OF DROP-PIPE SHALL BE BONDED AND PLACED INTEGRALLY WITH MANHOLE MASONRY.
NOTE D: DIAMETER OF DROP PIPE FOR COMBINED SEWERS AND SANITARY SEWERS IS SAME AS INCOMING 8", 10", OR 12" PIPE SEWER, AND 12" FOR LARGER COMBINED SEWERS UNLESS OTHERWISE SHOWN ON PROJECT PLANS. FOR SANITARY SEWERS 15" OR LARGER, A DROP IS NOT TO BE USED, CONNECT TO MANHOLE AT, OR WITHIN 3' ABOVE ITS FLOWLINE.
NOTE E: NEW OUTSIDE DROP ON EXISTING MANHOLE REQUIRES NO. 4 RE-BARS SPACED VERTICALLY AT 24" C-C, ONE ON EACH SIDE OF THE DROP PIPE, GROUDED THROUGH 2" DIA. HOLES IN M.H. WALL. (MIN. LENGTH OF BARS 15').

PICKETT RAY & SILVER
CIVIL ENGINEERS
PLANNERS
LAND SURVEYORS
333 Mid Rivers Mall Drive
St. Peters, MO 63376
Phone (636) 397-1211
Fax (636) 397-1104

BROOKSIDE CONSTRUCTION DETAILS
Prepared For:
SUMMIT POINTE L.C.
255 FOX HILL ROAD
ST. CHARLES, MO 63101
636-940-9390

REVISIONS	NO.	DATE	REV. PER CITY COMMENTS
	1	8/11/05	
	2	8/11/05	
	3	8/11/05	

ENGINEERS AUTHENTICATION
The responsibility for professional engineering liability on this project is hereby limited to the set of plans authenticated by the seal, signature, and date hereunder attached. Responsibility is disclaimed for all other engineering plans involved in this project and specifically excludes revisions after this date unless reauthenticated.
PICKETT RAY & SILVER, INC.
HAROLD J. BARTCH
REGISTERED PROFESSIONAL ENGINEER
NUMBER PE-17751

DRAWN	CAD	DATE
		FEB. 2005
CHECKED	DWD	DATE
		FEB. 2005
PROJECT #	03029.SUPO.01R	
TASK #	002	FIELD BOOK 847

BROOKSIDE CONSTRUCTION DETAILS
SHEET 144 OF 149
Copyright 2005 by Pickett, Ray & Silver, Inc.

P & Z NO. 2603.01