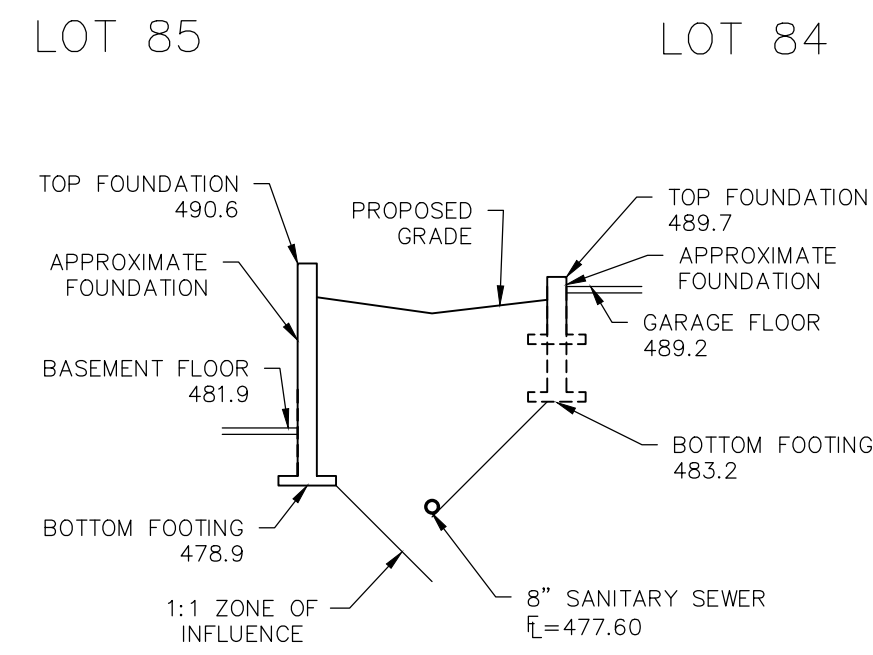
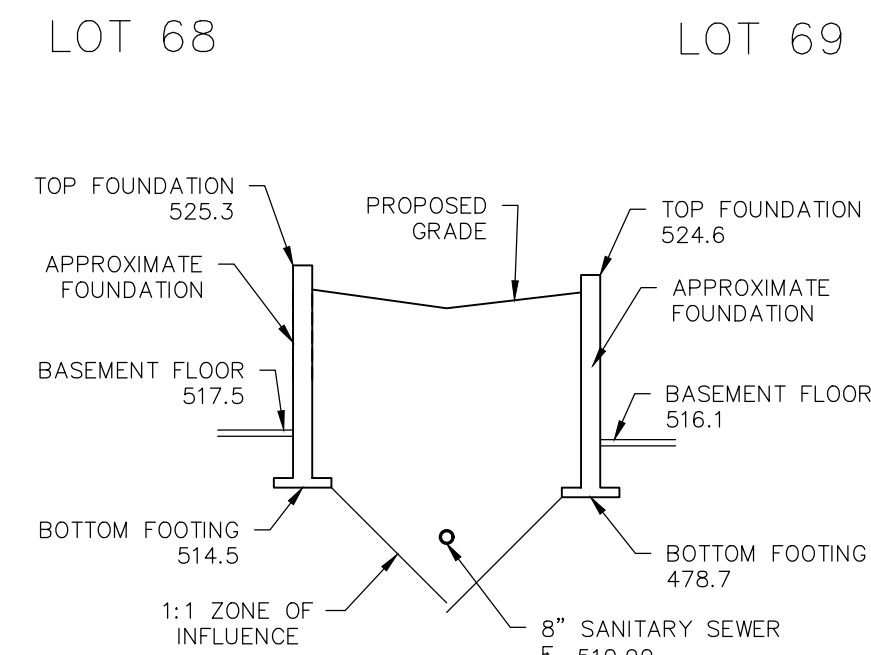


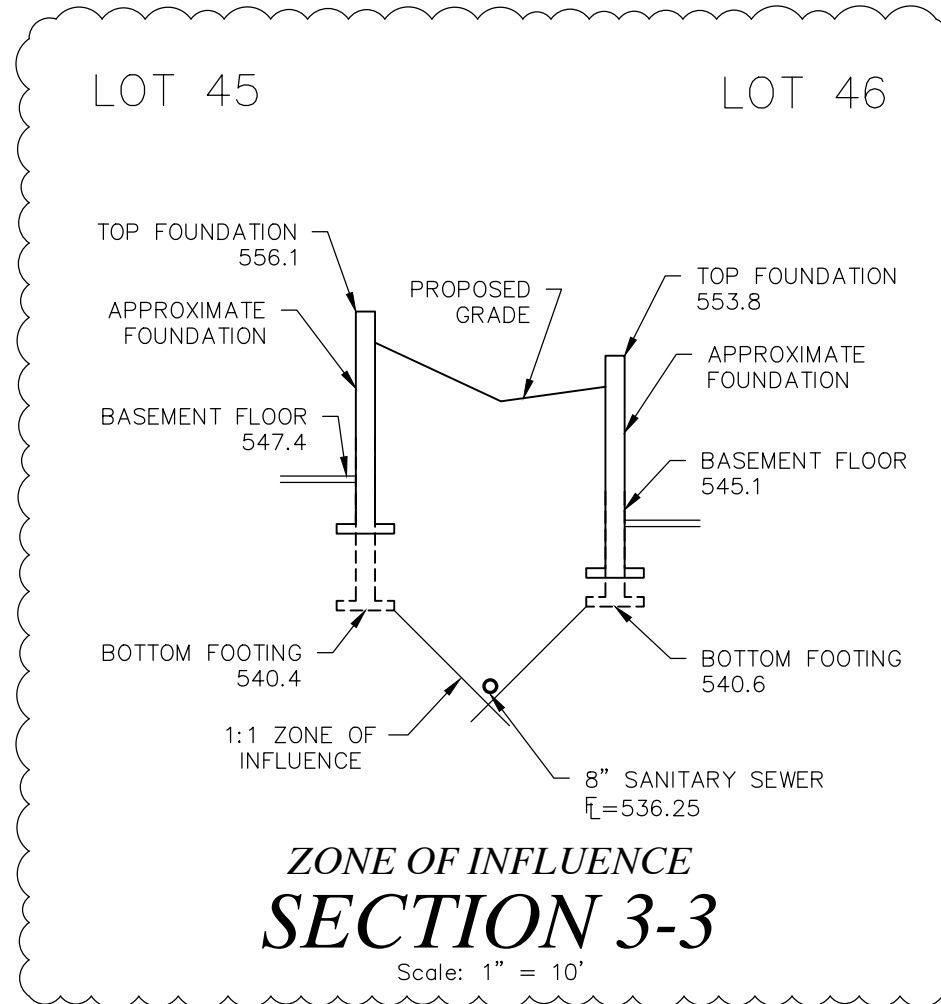
ISSUE	REMARKS/DATE
1	2020-12-31 INITIAL SUBMITTAL
2	2021-02-23 CITY COMMENTS
3	2021-04-13 CITY COMMENTS
4	2021-05-26 CITY COMMENTS
5	2021-06-15 FOR APPROVAL
6	2021-08-27 DEVELOPER REV. (SAN)
7	2021-09-16 CITY COMMENTS (SAN)



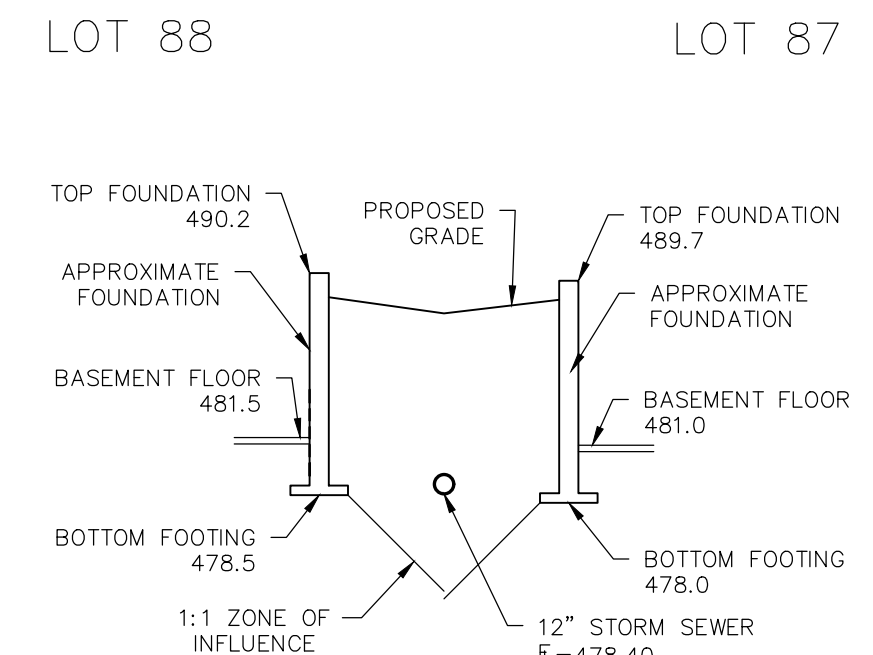
**ZONE OF INFLUENCE SECTION 1-1**  
Scale: 1" = 10'



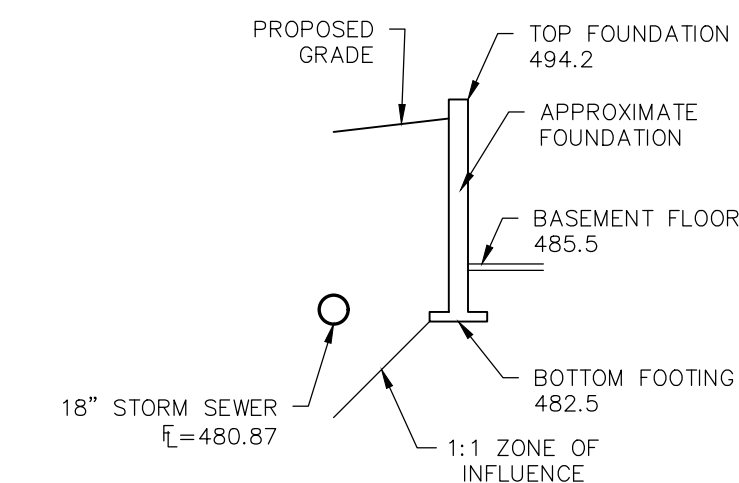
**ZONE OF INFLUENCE SECTION 2-2**  
Scale: 1" = 10'



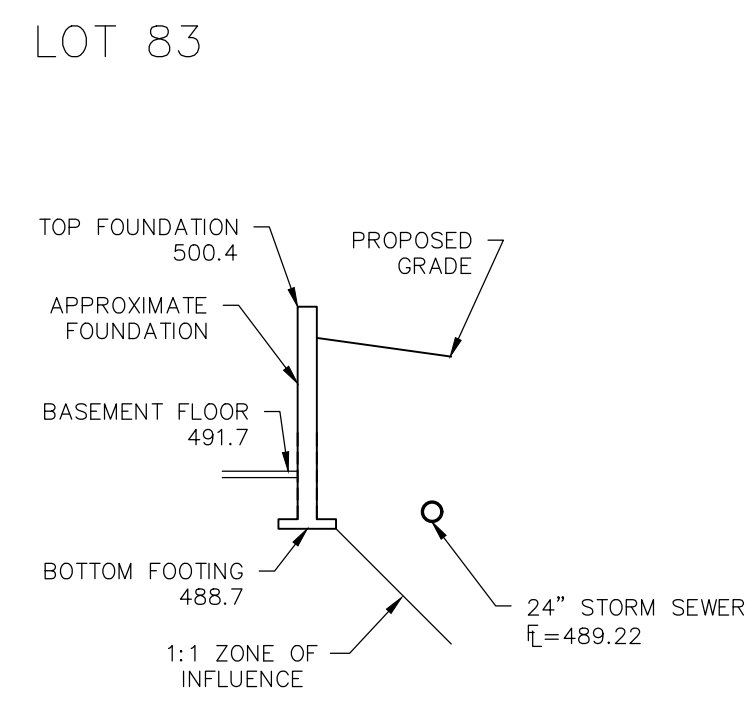
**ZONE OF INFLUENCE SECTION 3-3**  
Scale: 1" = 10'



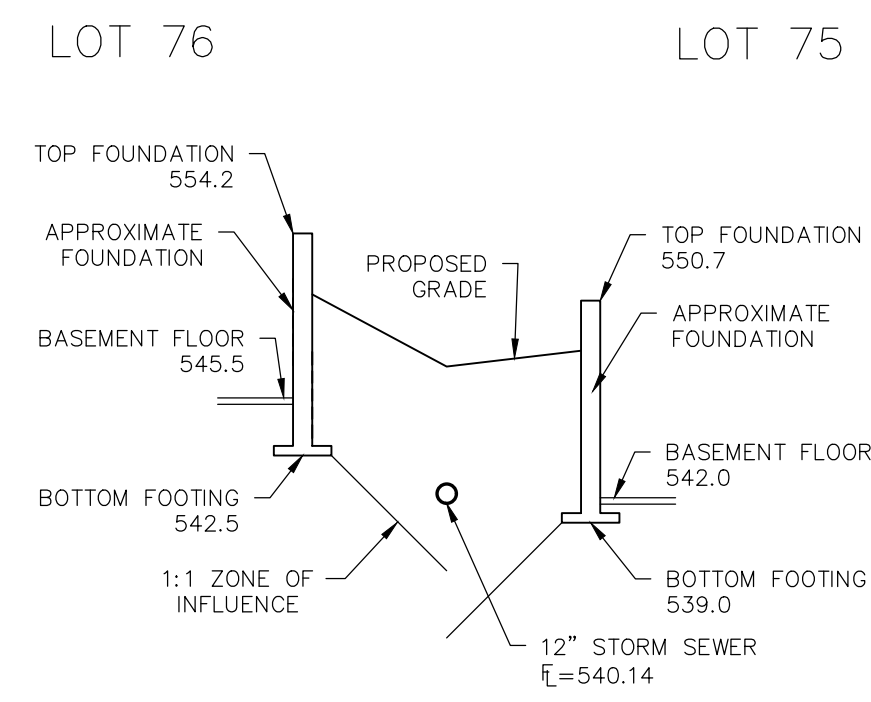
**ZONE OF INFLUENCE SECTION 4-4**  
Scale: 1" = 10'



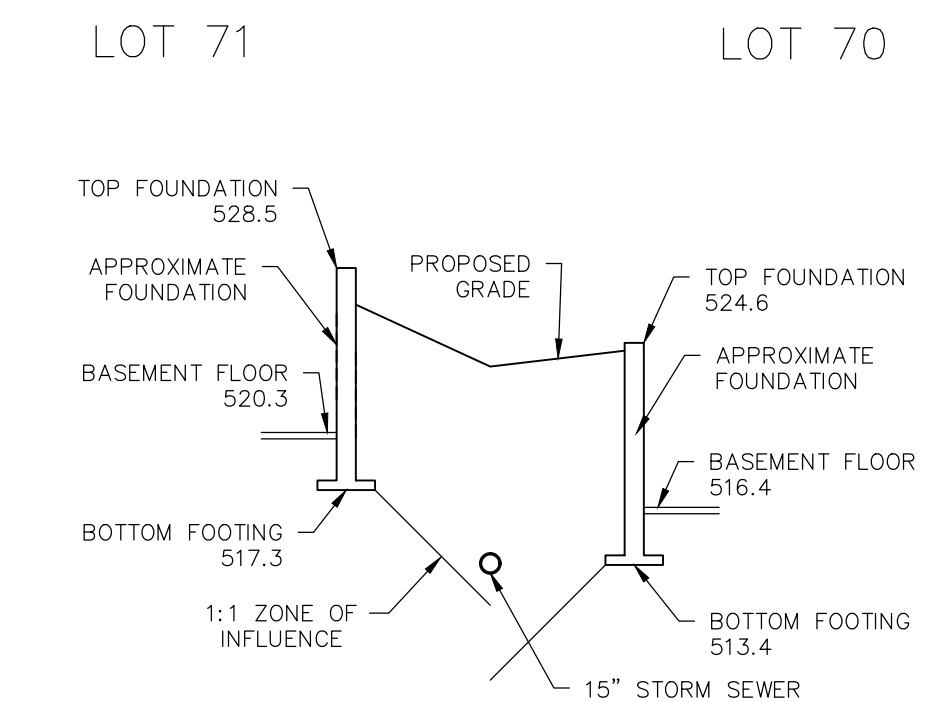
**ZONE OF INFLUENCE SECTION 5-5**  
Scale: 1" = 10'



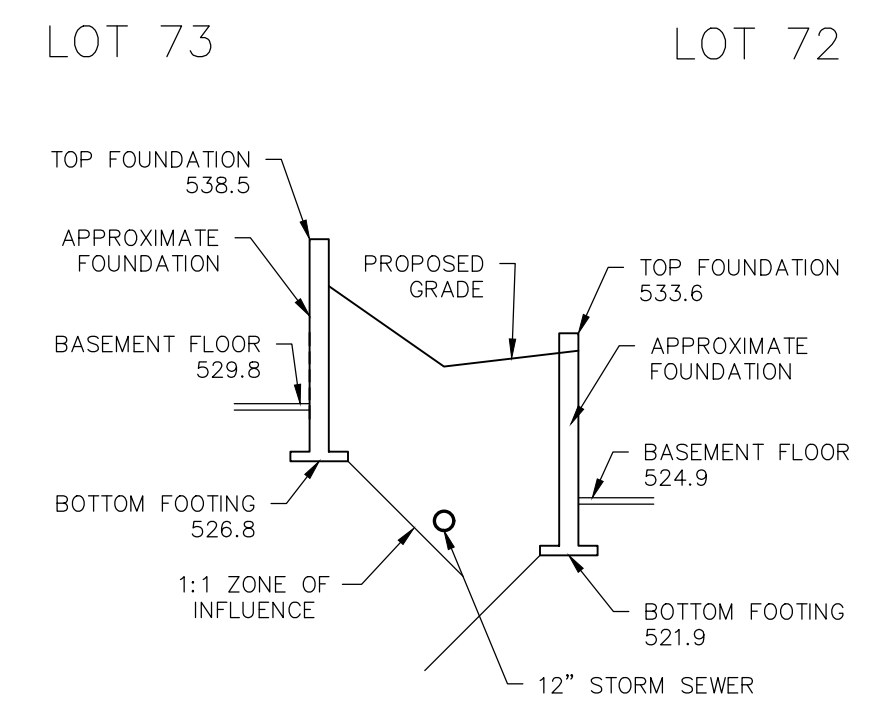
**ZONE OF INFLUENCE SECTION 6-6**  
Scale: 1" = 10'



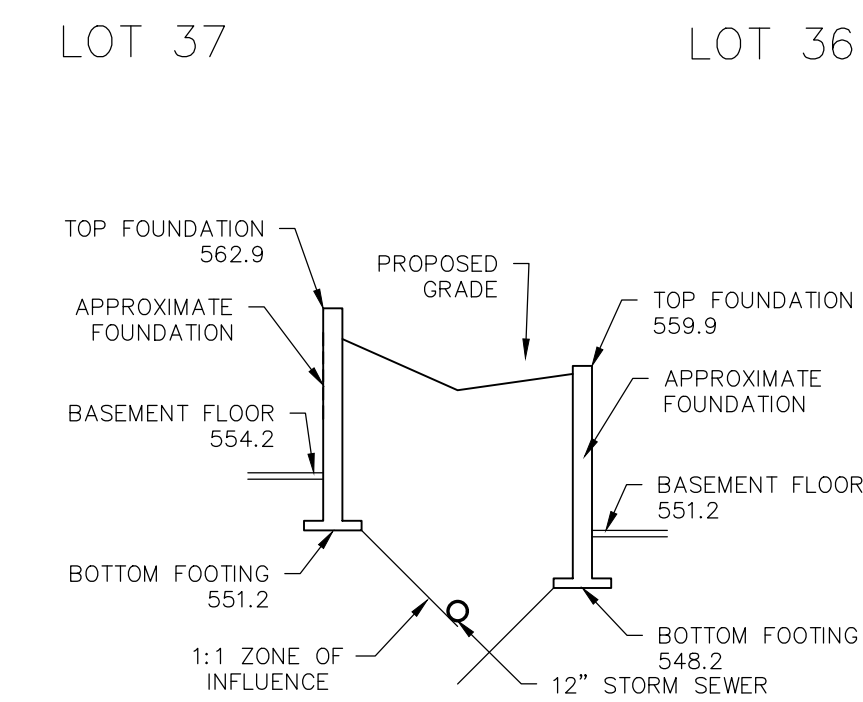
**ZONE OF INFLUENCE SECTION 7-7**  
Scale: 1" = 10'



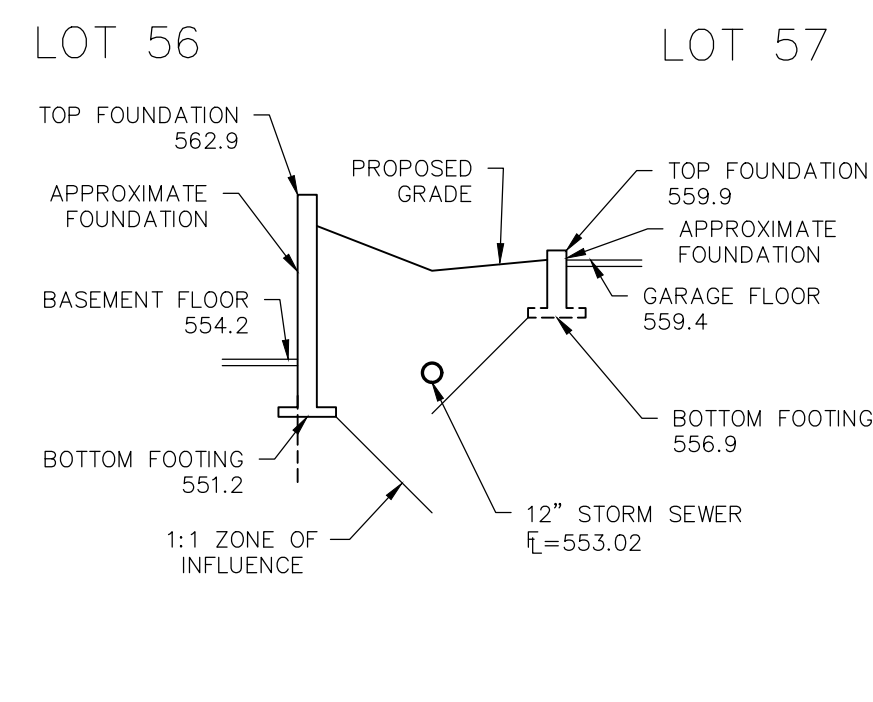
**ZONE OF INFLUENCE SECTION 8-8**  
Scale: 1" = 10'



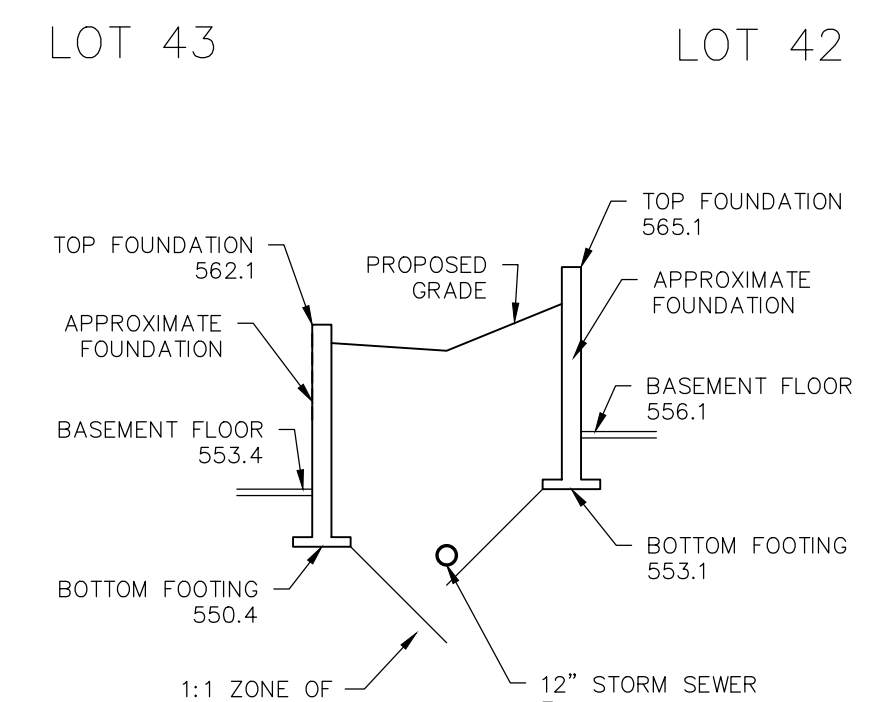
**ZONE OF INFLUENCE SECTION 9-9**  
Scale: 1" = 10'



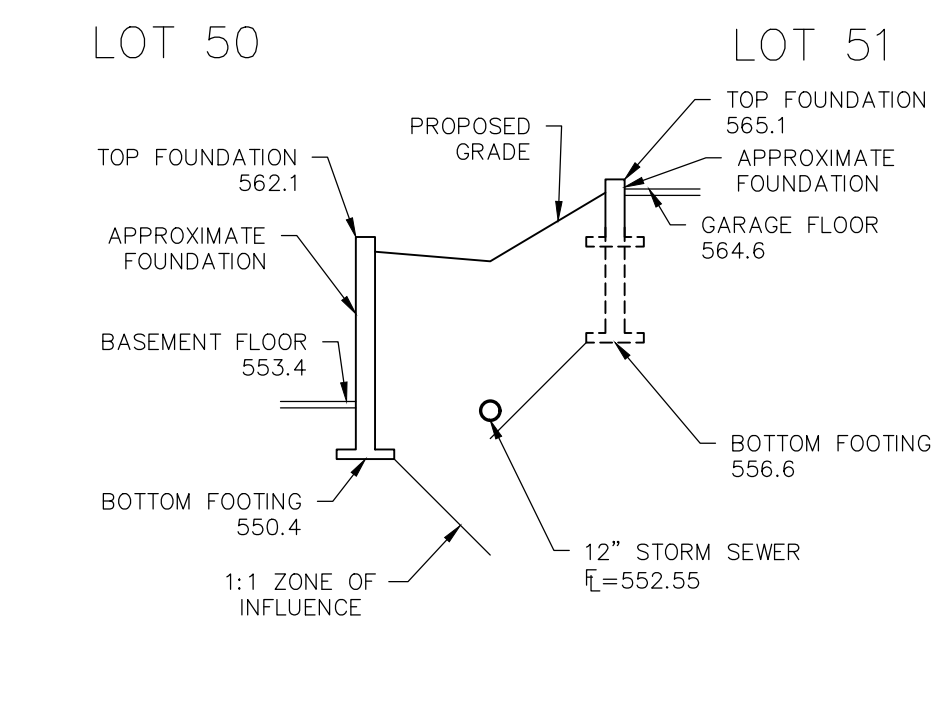
**ZONE OF INFLUENCE SECTION 10-10**  
Scale: 1" = 10'



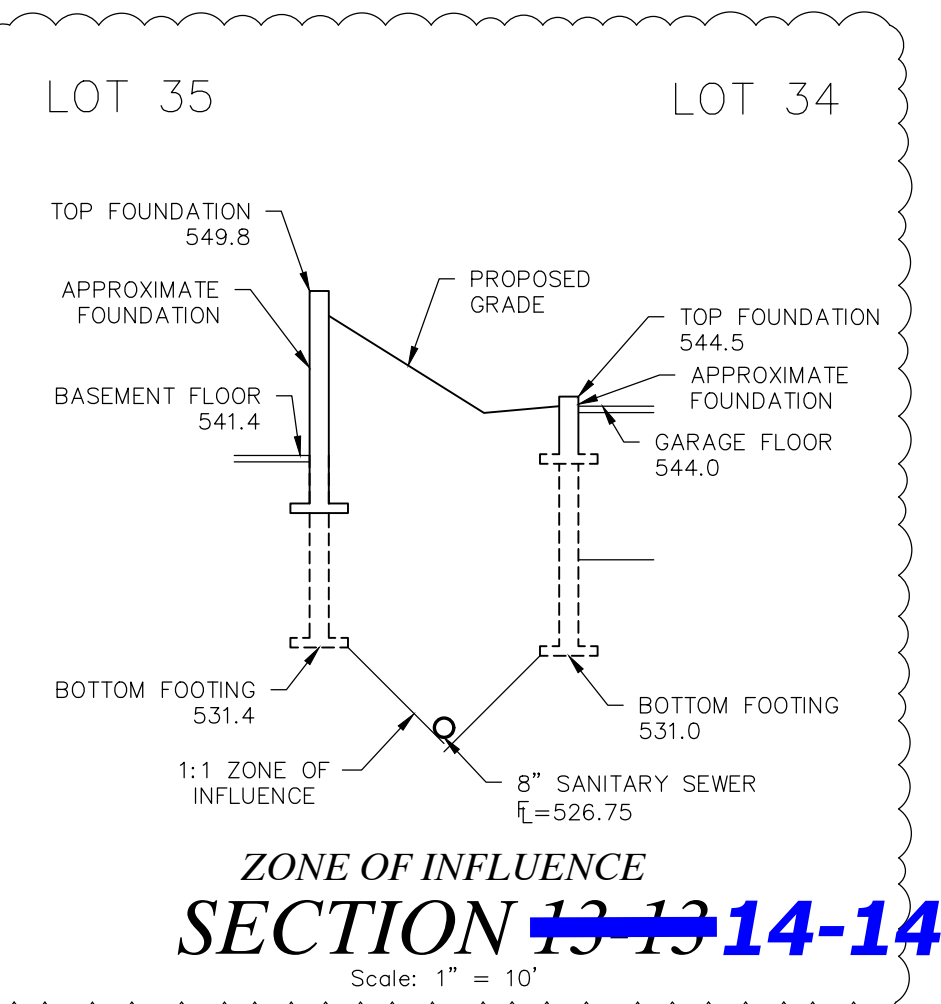
**ZONE OF INFLUENCE SECTION 11-11**  
Scale: 1" = 10'



**ZONE OF INFLUENCE SECTION 12-12**  
Scale: 1" = 10'



**ZONE OF INFLUENCE SECTION 13-13**  
Scale: 1" = 10'



**ZONE OF INFLUENCE SECTION 14-14**  
Scale: 1" = 10'

PROJECT TITLE

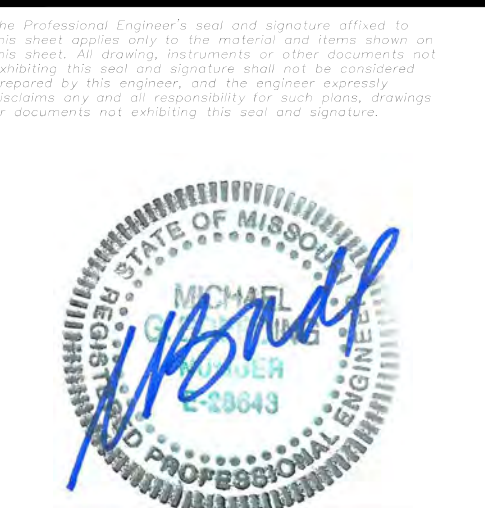
**BROOKSIDE ADDITION**

OF FALLON, MISSOURI

THE **STERLING** CO.

ENGINEERS & SURVEYORS

6055 New Baumgartner Road  
St. Louis, Missouri 63129  
Ph 314-487-0440 Fax 314-487-8944  
www.sterling-eng-survey.com  
Corporate Certificate of Authority #001348



Date: 09-16-2021  
Michael G. Boerding, PE  
License No. MO E-28643  
Professional Engineer

LOMBARDO HOMES OF ST. LOUIS, LLC

2289 TECHNOLOGY DRIVE, SUITE 150  
OF FALLON, MISSOURI 63368  
Ph. 636-265-2710  
Fax 636-695-3195

ZONE OF INFLUENCE SECTIONS

P+Z No. 20-001538  
City No. 20-009251  
Date: Sept. 16, 2021  
Job No. 19-10-344

Page No.

12.1

IMP