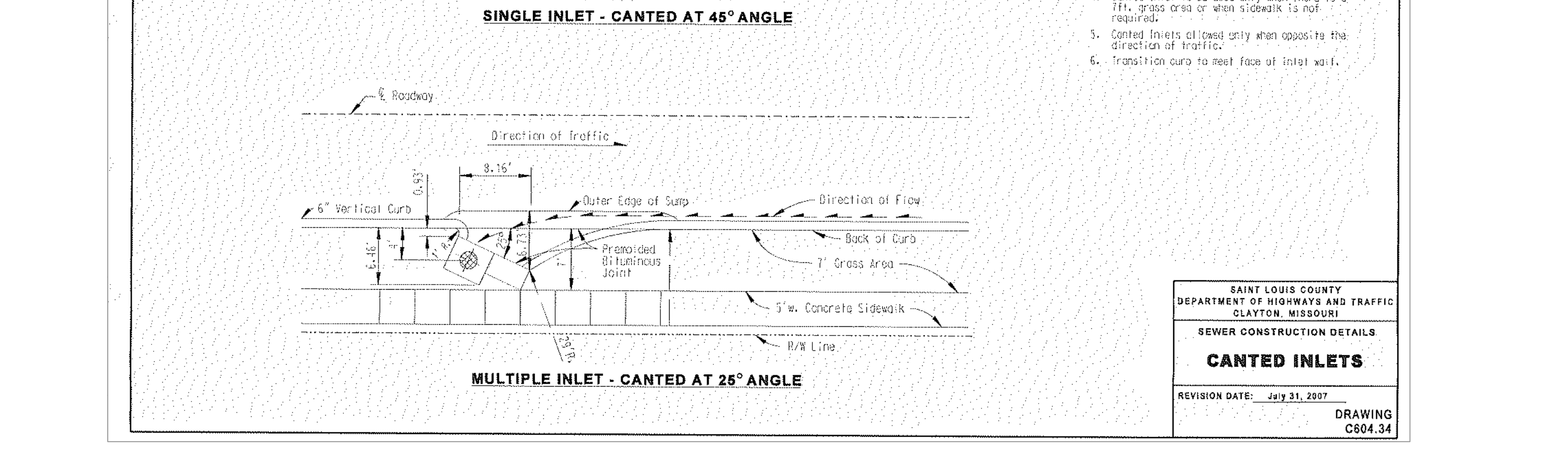
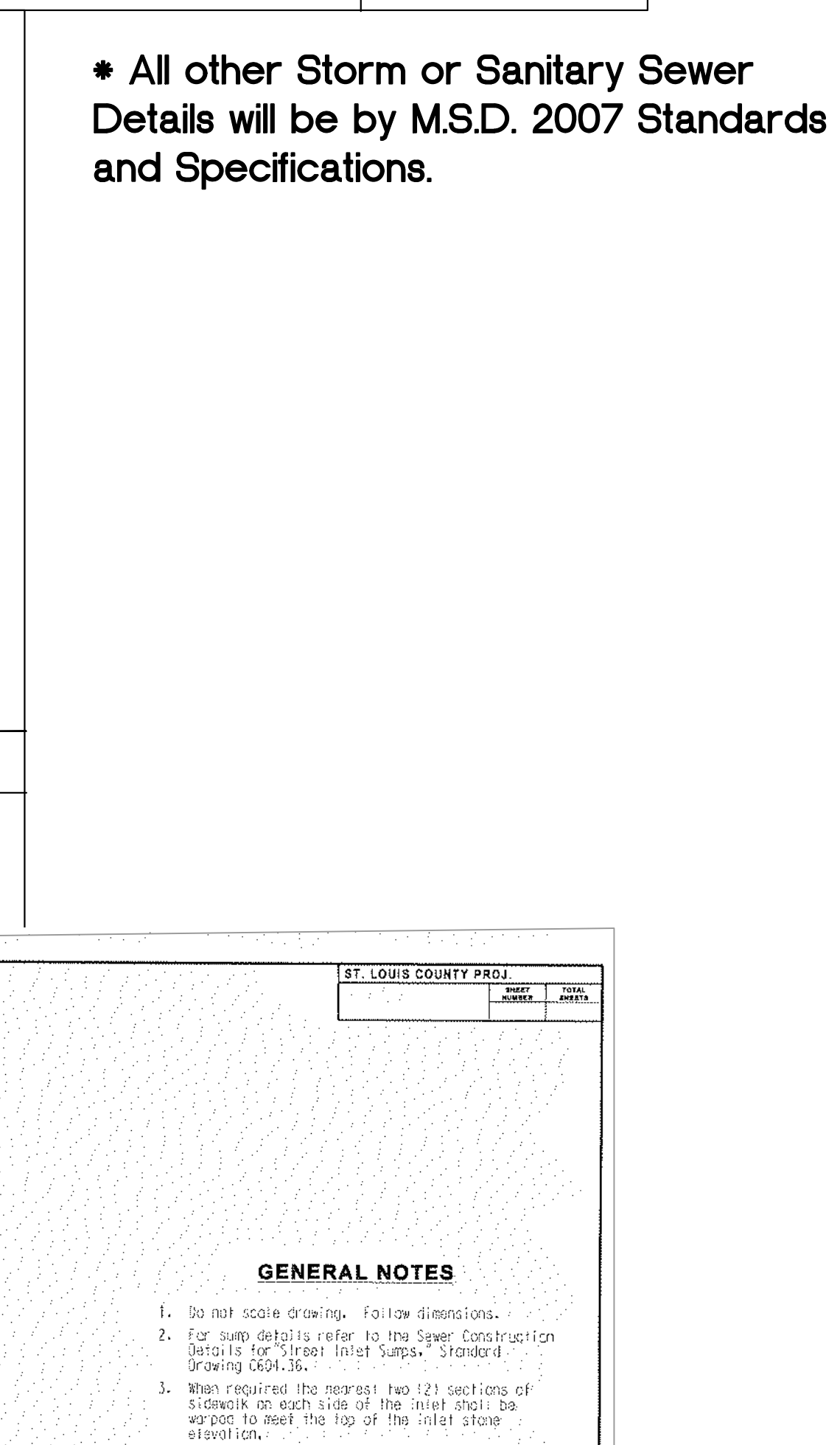
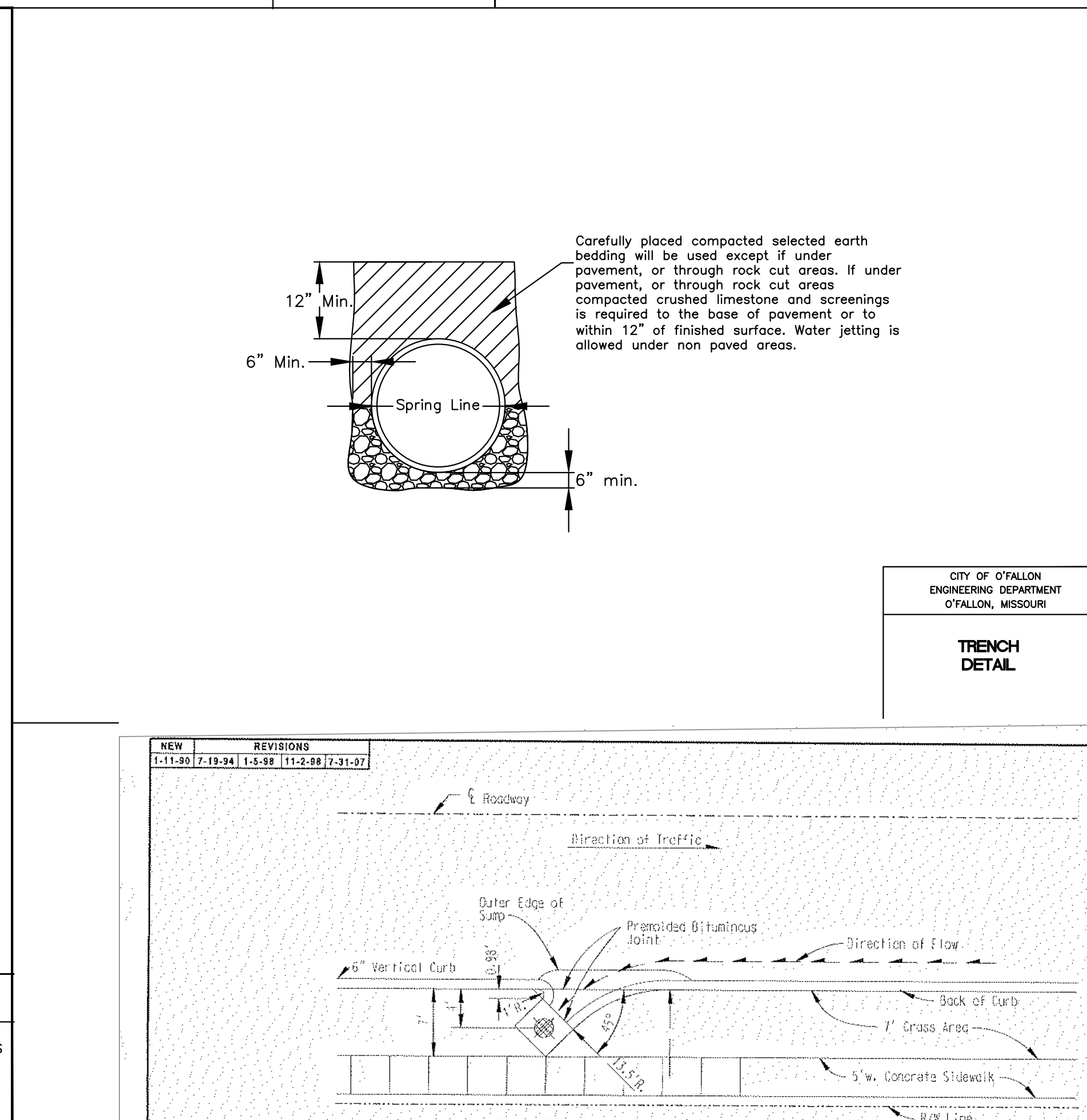
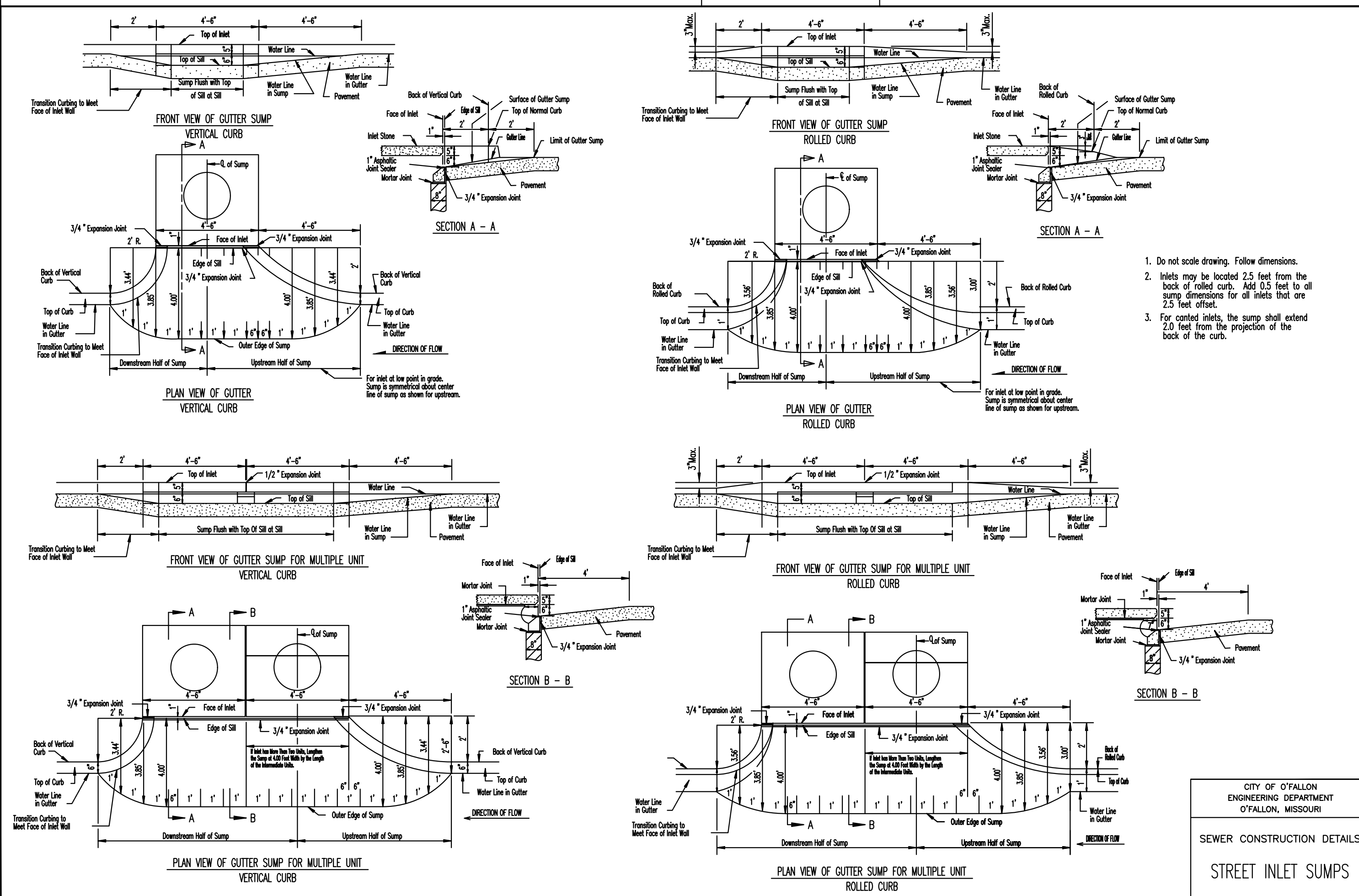
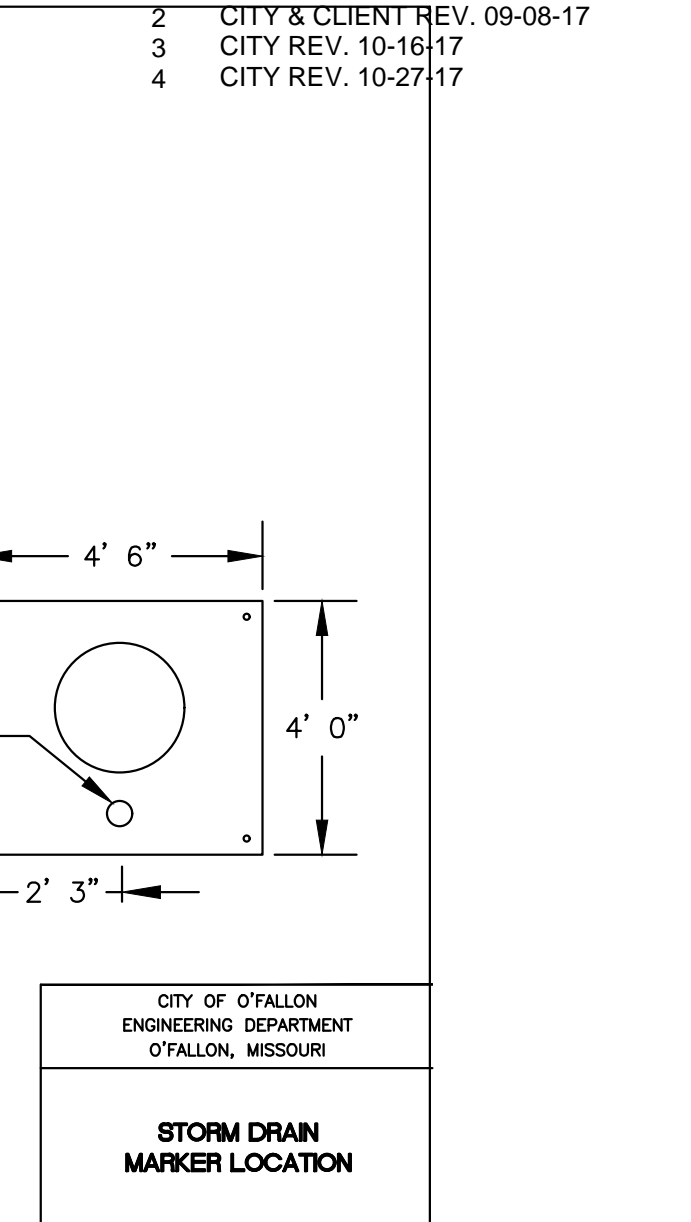
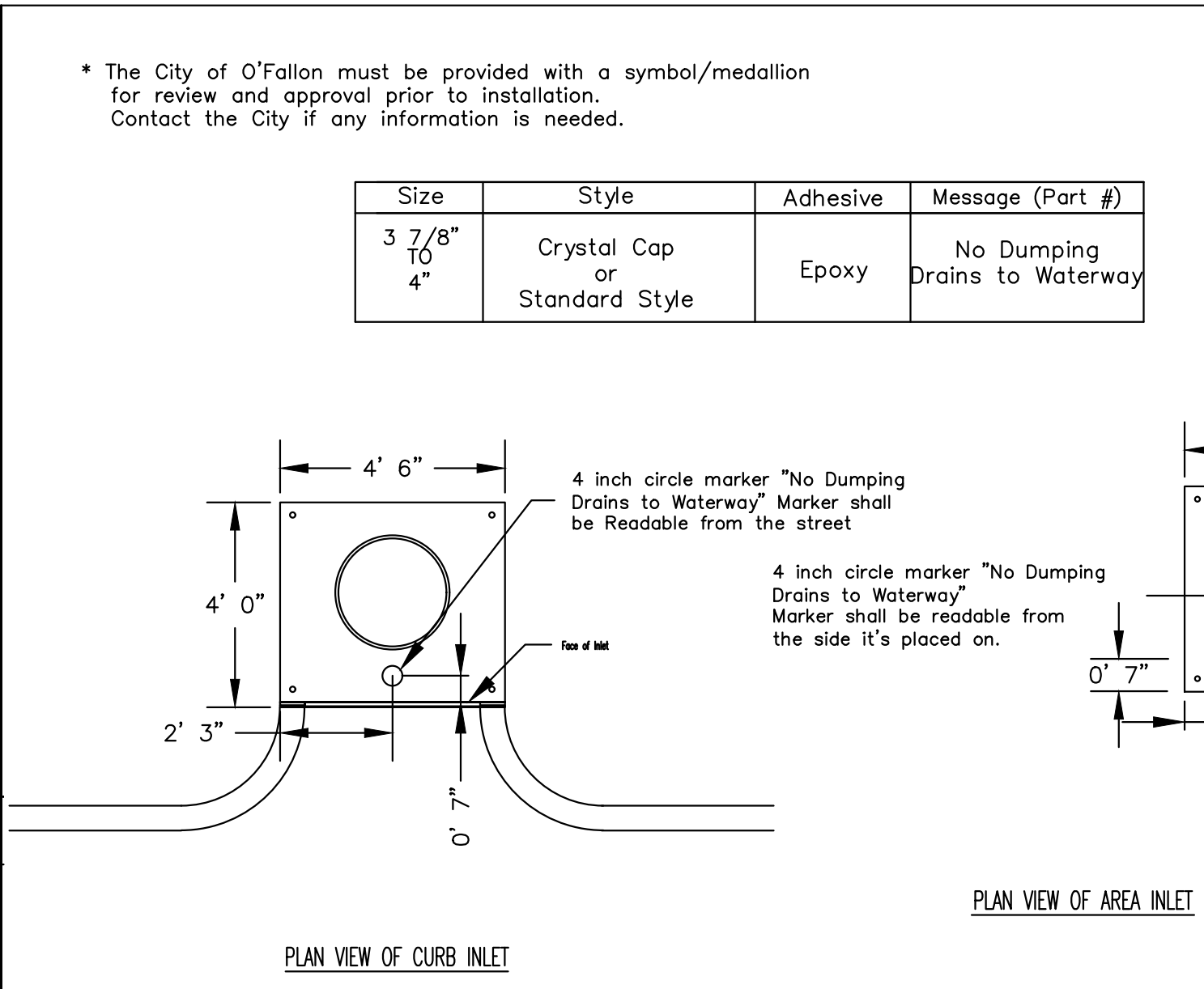
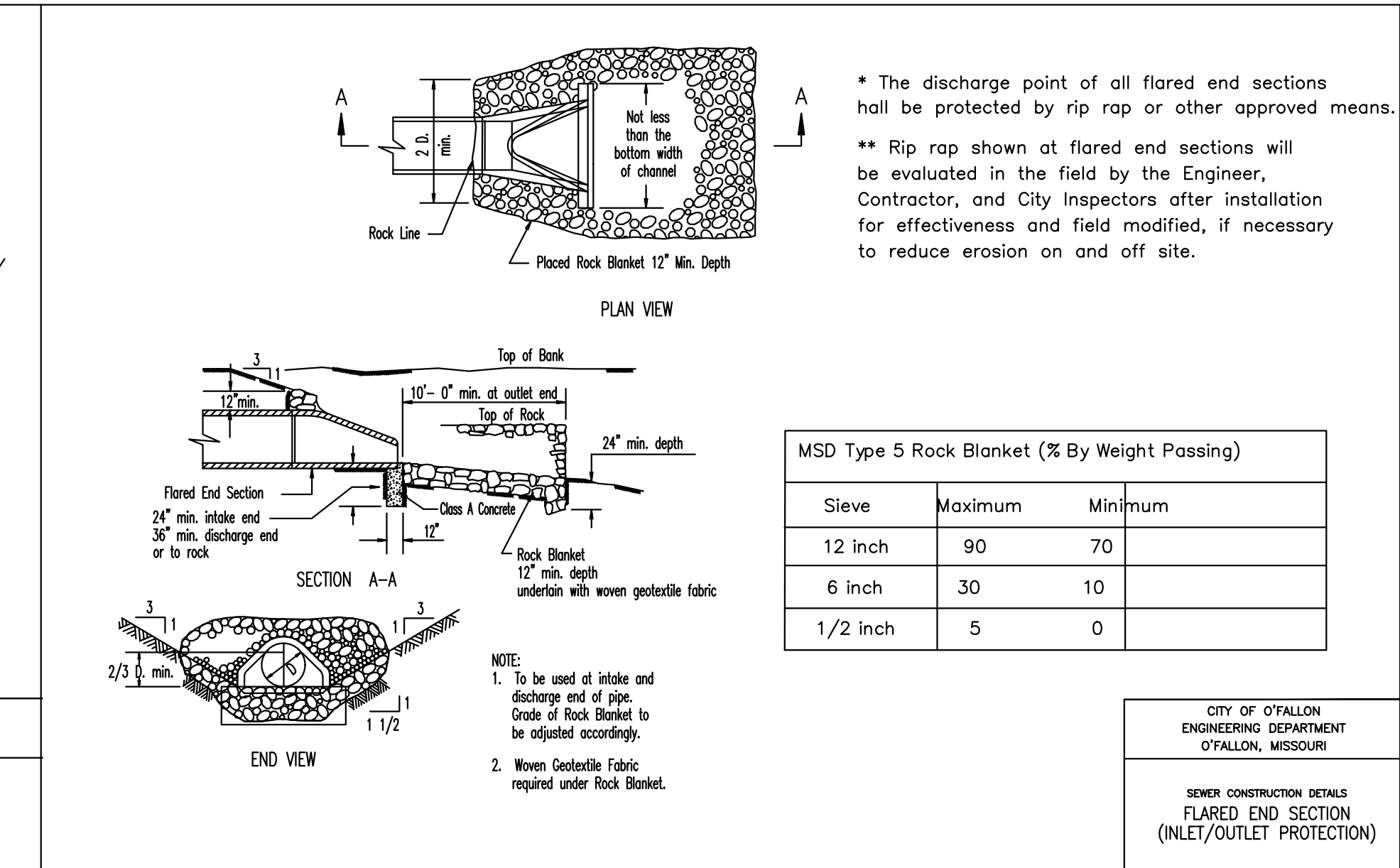
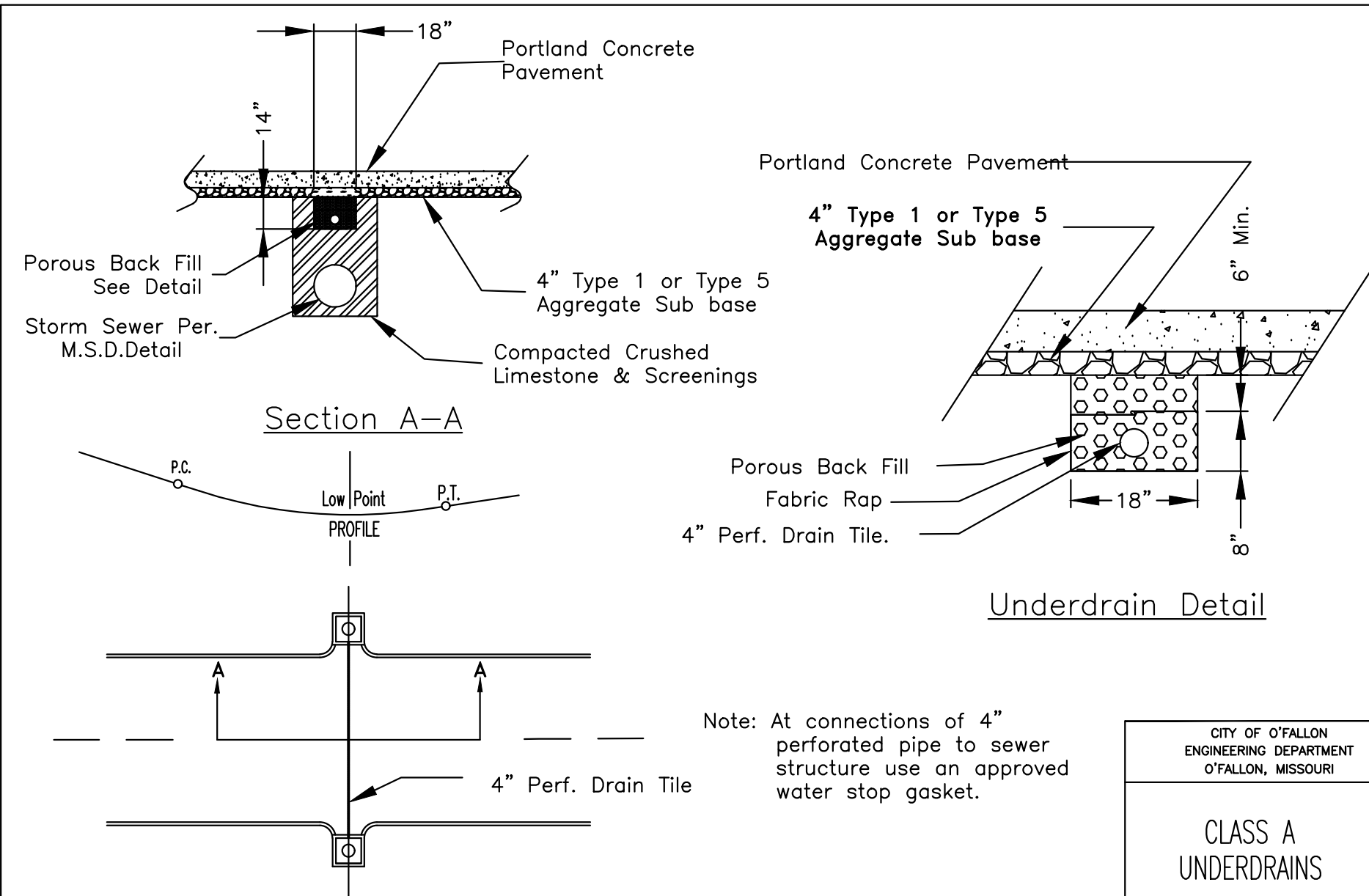
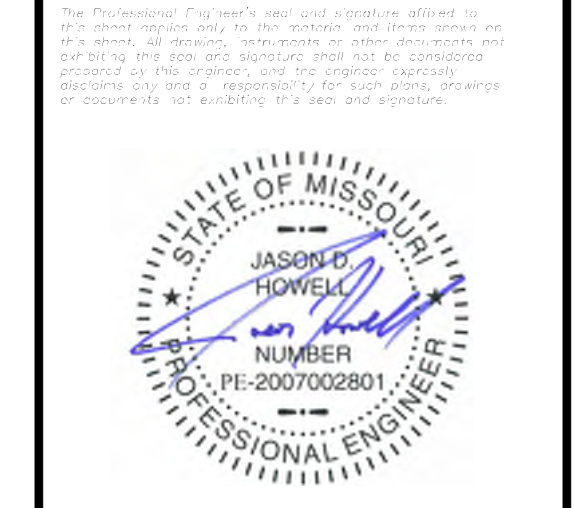


ISSUE	REMARKS/DATE
1	INITIAL SUBMITTAL 07-25-17
2	CITY'S CLIENT REV. 09-08-17
3	CITY REV. 10-16-17
4	CITY REV. 10-27-17



PROJECT TITLE
BROOKSIDE FOREST
 O'FALLON, MISSOURI

THE STERLING CO.
 ENGINEERS & SURVEYORS
 5065 New Baumgartner Road
 St. Louis, Missouri 63129
 Ph 314-487-0440 Fax 314-487-8944
 www.sterling-eng-sur.com
 Corporate Certificate of Authority #001348



Date: 11-7-17
 Jason D Howell
 License No. PE 2007002801
 Civil Engineer

Brookside Forest, LLC
 16091 SWINGLEY RIDGE ROAD, SUITE 300
 CHESTERFIELD, MISSOURI 63017
 Ph 636-537-2000
 Fax 636-537-2546
 www.mcbridehomes.com

STORM SEWER DETAILS

P+Z No. 02-17-01
 City No.
 Date: Nov. 7, 2017
 Job No. 16-09-274

Page No.
8.9
 IMP

Drawing name: V:\1609274 Brookside Forest\Drawings\Improvements\8274SEWER.DWG Plotted on: Nov 07, 2017, 12:22pm Plotted by: jphowell