

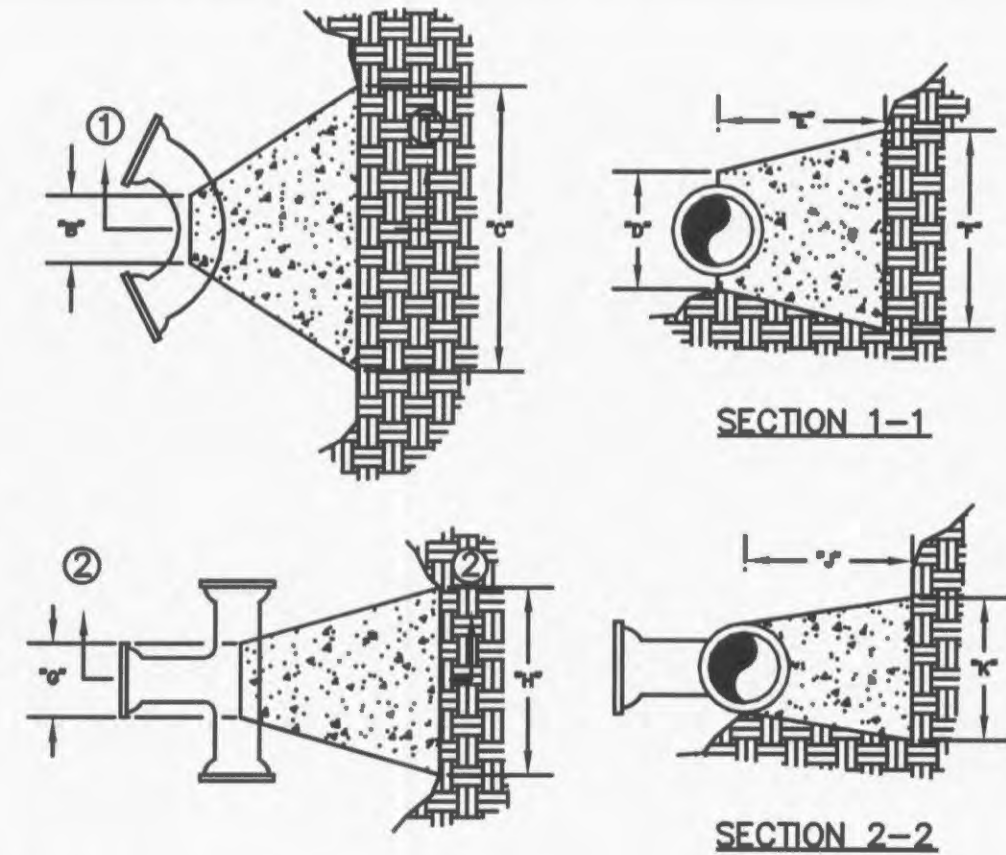
BELLS	1/4"	1/2"	3/4"	1"
8"-11 1/4"	11"	12"	13"	14"
8"-22 1/2"	18"	19"	20"	21"
8"-40"	25"	26"	27"	28"
8"-60"	32"	33"	34"	35"
8"-80"	39"	40"	41"	42"
12"-11 1/4"	14"	15"	16"	17"
12"-22 1/2"	21"	22"	23"	24"
12"-40"	28"	29"	30"	31"
12"-60"	35"	36"	37"	38"
12"-80"	42"	43"	44"	45"
16"-11 1/4"	17"	18"	19"	20"
16"-22 1/2"	24"	25"	26"	27"
16"-40"	31"	32"	33"	34"
16"-60"	38"	39"	40"	41"
20"-11 1/4"	20"	21"	22"	23"
20"-22 1/2"	27"	28"	29"	30"
20"-40"	34"	35"	36"	37"
20"-60"	41"	42"	43"	44"
24"-11 1/4"	23"	24"	25"	26"
24"-22 1/2"	30"	31"	32"	33"
24"-40"	37"	38"	39"	40"
24"-60"	44"	45"	46"	47"

TEES	1/4"	1/2"	3/4"	1"
8" x 8"	11"	12"	13"	14"
8" x 12"	18"	19"	20"	21"
8" x 16"	25"	26"	27"	28"
8" x 20"	32"	33"	34"	35"
8" x 24"	39"	40"	41"	42"
12" x 12"	14"	15"	16"	17"
12" x 16"	21"	22"	23"	24"
12" x 20"	28"	29"	30"	31"
12" x 24"	35"	36"	37"	38"
12" x 28"	42"	43"	44"	45"
16" x 16"	17"	18"	19"	20"
16" x 20"	24"	25"	26"	27"
16" x 24"	31"	32"	33"	34"
16" x 28"	38"	39"	40"	41"
20" x 20"	20"	21"	22"	23"
20" x 24"	27"	28"	29"	30"
20" x 28"	34"	35"	36"	37"
20" x 32"	41"	42"	43"	44"

NOTES:
 1. 2" IS 4" FITTING EQUIVALENT TO 8" FITTINGS.
 2. TAPPING SLEEVES TO HAVE SHADING BLOCKS SAME SIZE AS REQUIRED FOR BELLS.
 3. L-FITTING LENGTH MINUS CLEARANCE FOR BELLS.
 4. DETAIL IS SHOWN FOR CAST IRON PIPE; DETAIL IS SIMILAR FOR OTHER TYPES OF PIPE.
 5. DIMENSIONS FOR THRUST BLOCKS FOR FIRE HYDRANT ASSEMBLY ARE SHOWN PER HYDRANT ASSEMBLY DETAIL.

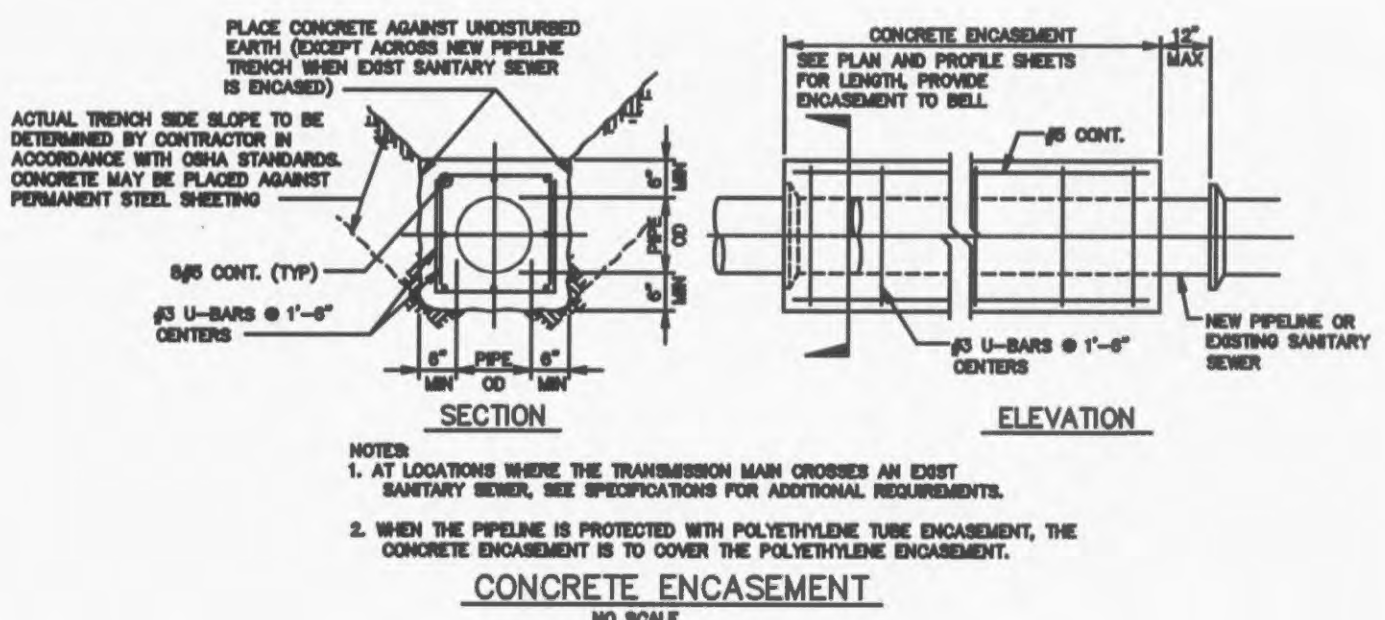
INTERNAL WATER PRESSURE 6" through 12"-200 psi
 INTERNAL WATER PRESSURE 18" through 30"-210 psi
 BEARING PRESSURE OF SOIL=2000 psi

BACKING BLOCKS
 NOT TO SCALE



CITY OF O'FALLON
 ENGINEERING DEPARTMENT
 O'FALLON, MISSOURI

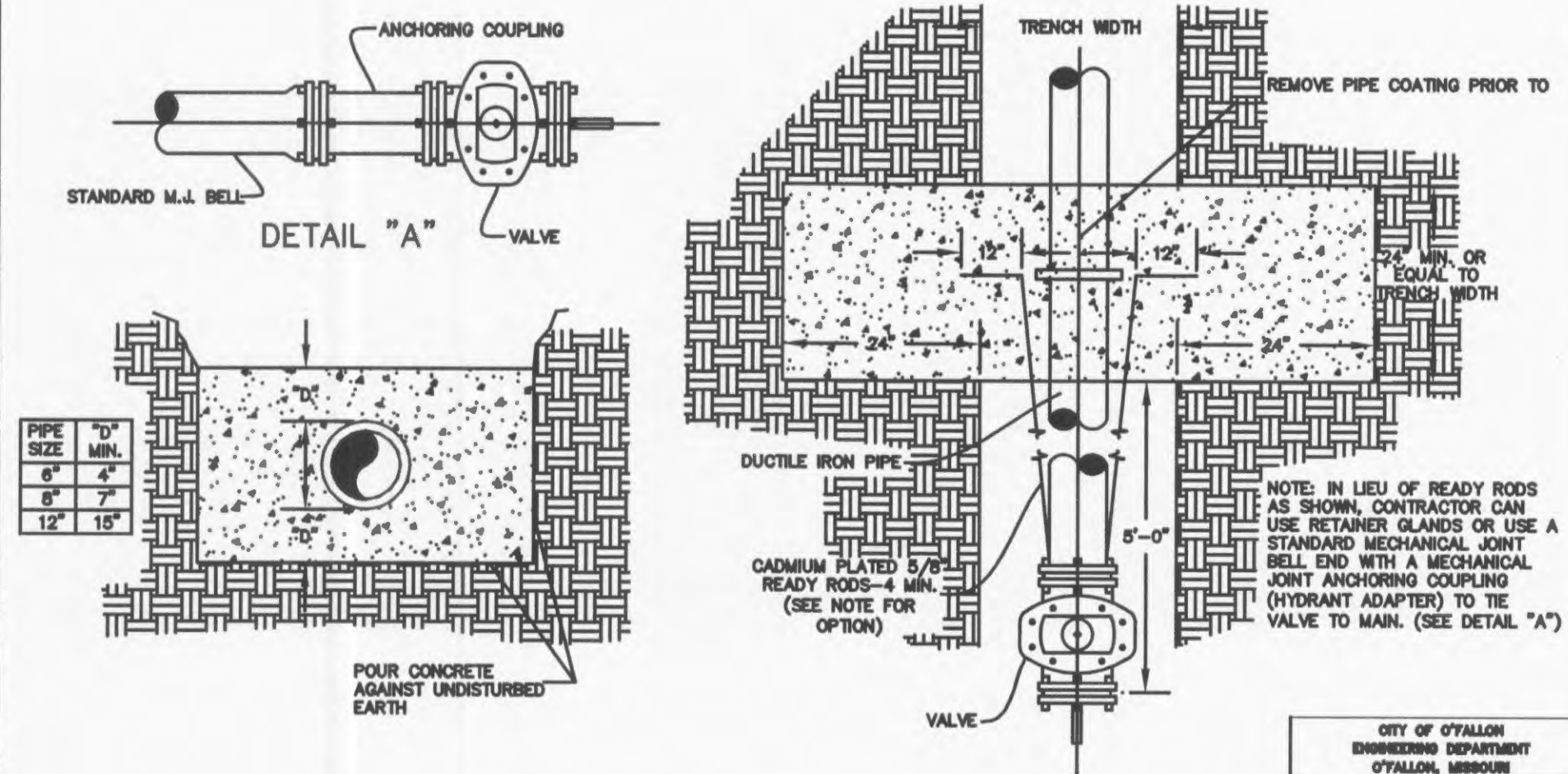
**BACKING BLOCK
 DETAILS AND LOCATIONS**



CONCRETE ENCASUREMENT
 NOT TO SCALE

CITY OF O'FALLON
 ENGINEERING DEPARTMENT
 O'FALLON, MISSOURI

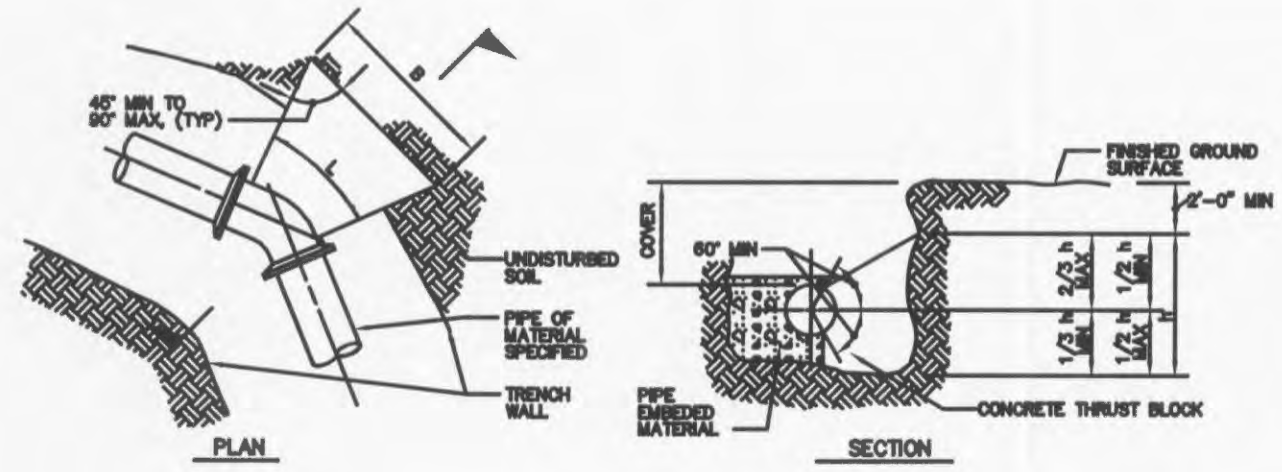
**CONCRETE ENCASUREMENT
 DETAILS**



STRADDLE BLOCK DETAIL
 NOT TO SCALE

CITY OF O'FALLON
 ENGINEERING DEPARTMENT
 O'FALLON, MISSOURI

**STRADDLE BLOCK
 DETAILS**



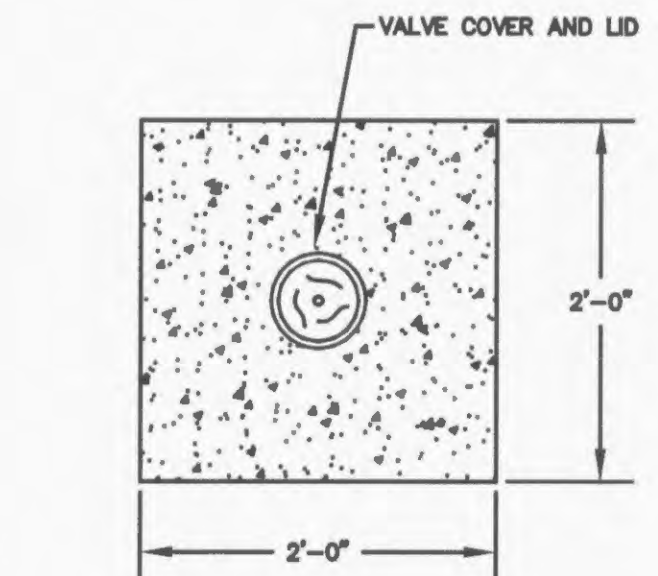
- NOTES:
 1. AREA OF BLOCK A = B. BLOCK AREAS ARE SHOWN ON GENERAL LAYOUT OR TABLE.
 2. B = H = 1/2 A, EXCEPT WHERE TOP OF BLOCK IS WITHIN 2 FEET FROM GROUND SURFACE, THEN B = A/4.
 3. MINIMUM BLOCK DIMENSION (B & H) SHALL BE AT LEAST 6" FOR PIPE OR 1 FOOT FOR PIPE 12" OR LESS.
 4. THE BOTTOM OF THE BLOCK SHALL EXTEND AT LEAST TO THE BOTTOM OF THE TRENCH IN ALL CASES.
 5. L-FITTING LENGTH MINUS CLEARANCE FOR BELLS.
 6. DETAIL IS SHOWN FOR CAST IRON PIPE; DETAIL IS SIMILAR FOR OTHER TYPES OF PIPE.
 7. DIMENSIONS FOR THRUST BLOCKS FOR FIRE HYDRANT ASSEMBLY ARE SHOWN PER HYDRANT ASSEMBLY DETAIL.

SIZE	BEND	THRUST AREA	B	H
18"	21 1/2"	4 SF	2'	2'
18"	48"	8 SF	2.5'	2.5'

CONCRETE THRUST BLOCKING
 NOT TO SCALE

CITY OF O'FALLON
 ENGINEERING DEPARTMENT
 O'FALLON, MISSOURI

**CONCRETE THRUST
 BLOCKING DETAILS**

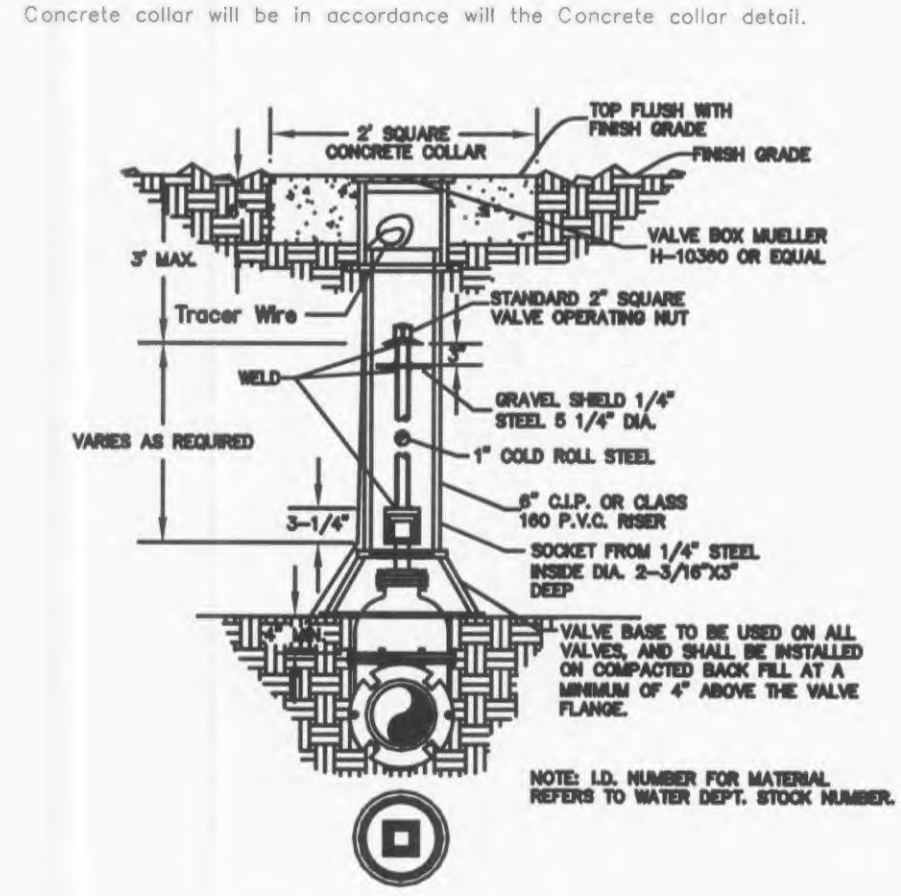


**TOP VIEW
 CONCRETE COLLAR**
 NOT TO SCALE

Note: 1. Concrete collar joint pattern is required in paved areas such as roadways, driveways, sidewalks or other areas of paved surfaces.
 2. Concrete collars are optional in other non-paved areas.

CITY OF O'FALLON
 ENGINEERING DEPARTMENT
 O'FALLON, MISSOURI

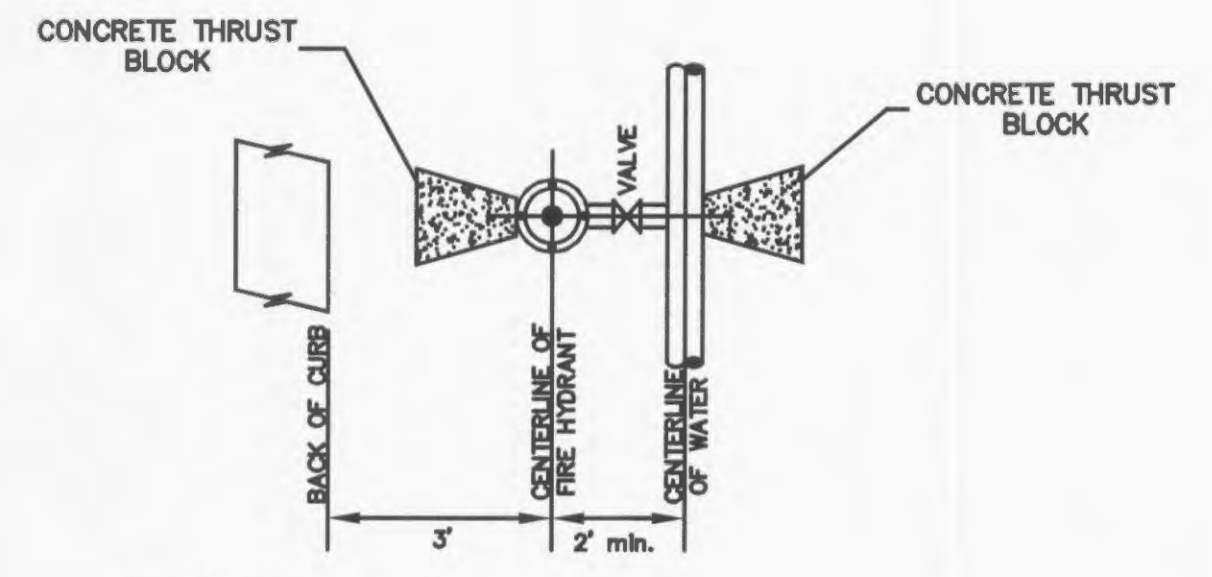
**CONCRETE
 COLLAR DETAIL**



WATER VALVE DETAIL
 NOT TO SCALE

CITY OF O'FALLON
 ENGINEERING DEPARTMENT
 O'FALLON, MISSOURI

**WATER
 VALVE DETAIL**

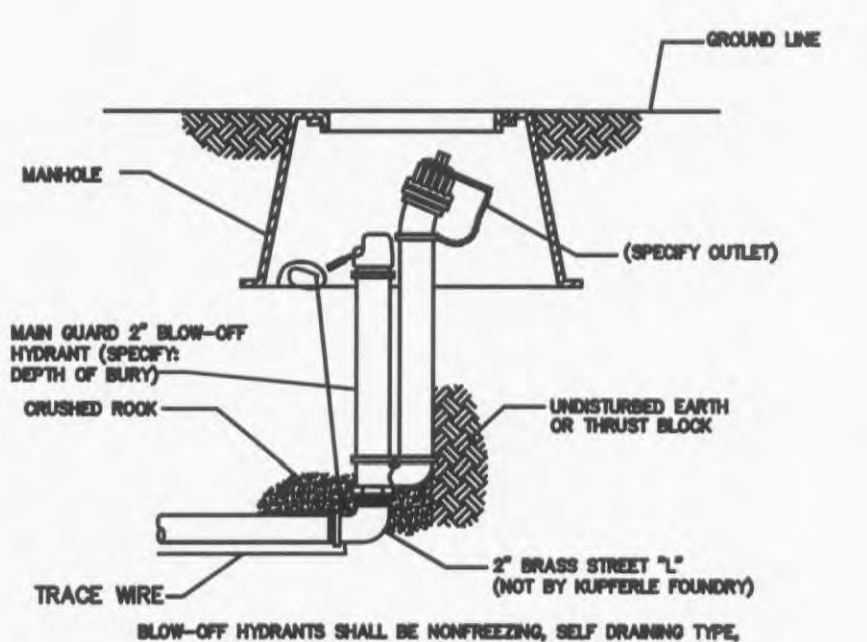


CONFIGURATION
 ALL FIRE HYDRANTS SHALL BE 3' OFF BACK OF CURB
 ALL WATER MAINS SHALL BE A MIN. OF 5' OFF BACK OF CURB

**TYPICAL WATER MAIN AND FIRE
 HYDRANT LOCATIONS**
 NOT TO SCALE

CITY OF O'FALLON
 ENGINEERING DEPARTMENT
 O'FALLON, MISSOURI

**WATER MAIN
 FIRE HYDRANT DETAIL**



BLOW-OFF HYDRANT
 NOT TO SCALE

CITY OF O'FALLON
 ENGINEERING DEPARTMENT
 O'FALLON, MISSOURI

**BLOW-OFF
 HYDRANT DETAIL**

Ductile Iron Pipe installation shall follow the Ductile Iron Research Association (DIPRA) guide line.
 The Installation of PVC Pipe shall follow the Uni-Bell PVC Pipe Association Handbook of PVC Design and Construction.

Developer / Owner Information

Lombardo Homes of St. Louis, LLC
 2299 Technology Drive, Suite 150
 O'Fallon, Missouri 63368

50 YEARS
Lombardo
 H.O.M.E.S.
 OF EXCELLENCE

P+Z No. 2603.04
 City No. 14-156-8P

Page No.
18 of 19
 DETAILS

PROJECT TITLE
IMPROVEMENT PLANS
BROOKSIDE
VILLAGE B 2-A
 DETAILS

PICKETT, RAY & SILVER INC
 CIVIL ENGINEERING, LAND SURVEYING,
 AND NATURAL RESOURCES SERVICES

SL Prathers
 22 Richmond Center Court
 St. Peters, MO 65076

Phone (636) 397-1211 Fax (636) 397-1104
 www.prs3.com 1-800-708-3918

PRF No. 030291.0MB.01R
 TASK 005

ENGINEER'S AUTHORIZATION
 THE RESPONSIBILITY FOR PROFESSIONAL ENGINEERING LIABILITY ON THIS PROJECT IS HEREBY LIMITED TO THE SET OF PLANS AUTHORIZED BY THE SEAL, LICENSE, AND DATE HEREON ATTACHED. RESPONSIBILITY IS DISCLAIMED FOR ALL OTHER ENGINEERING PLANS INVOLVED IN THIS PROJECT AND SPECIFICALLY EXCLUDED HEREON AFTER THIS DATE UNLESS REAUTHORIZED.

PICKETT, RAY & SILVER, INC. MO LICENSE #000000

KARL ANTHONY SCHOENIKE
 NUMBER PE-2003015039
 PROFESSIONAL ENGINEER

KARL A. SCHOENIKE, P.E.
 PROFESSIONAL ENGINEER LICENSE 2003015039

*** APPROVED FOR CONSTRUCTION *** 08/22/14 ***