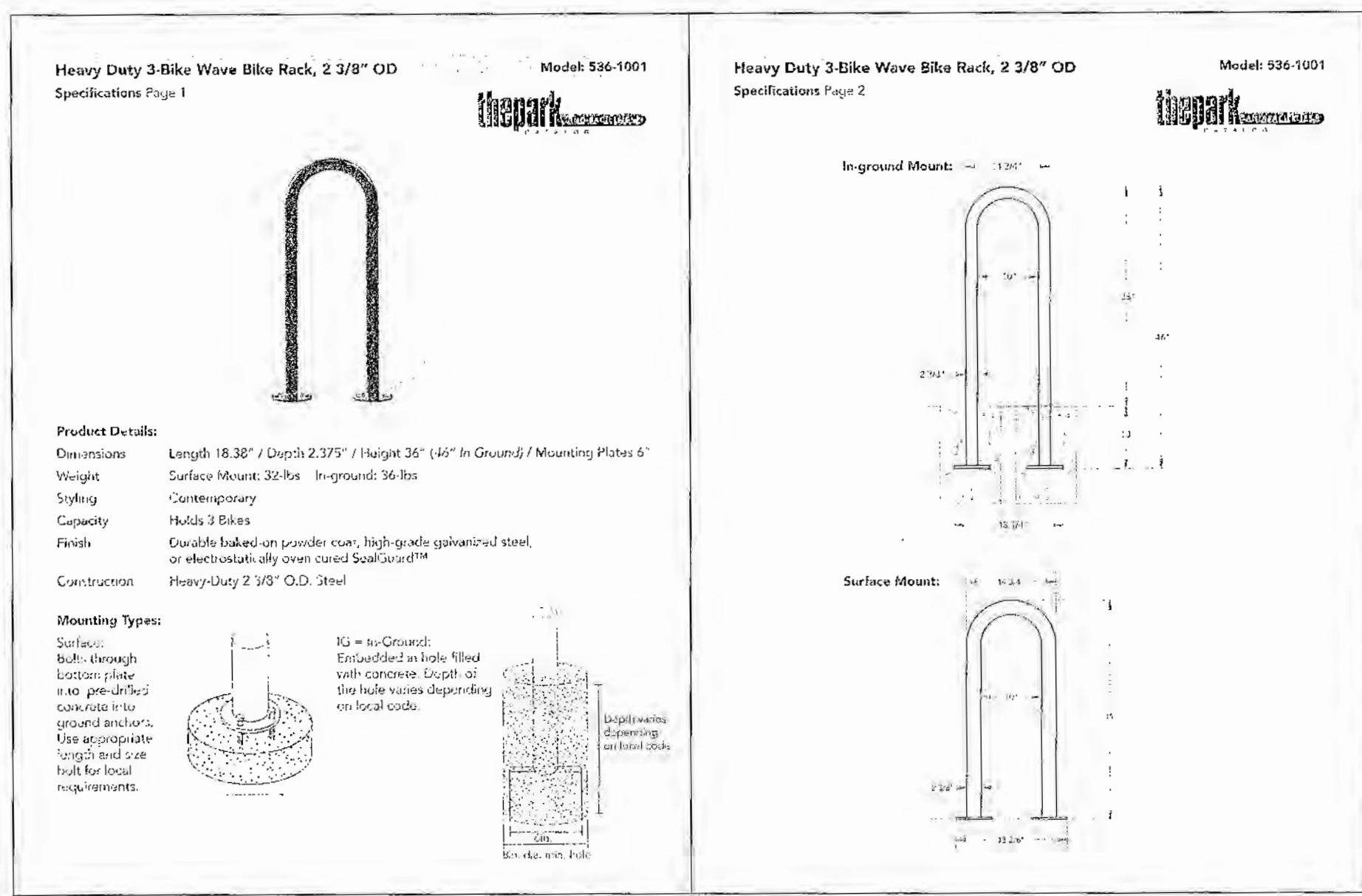
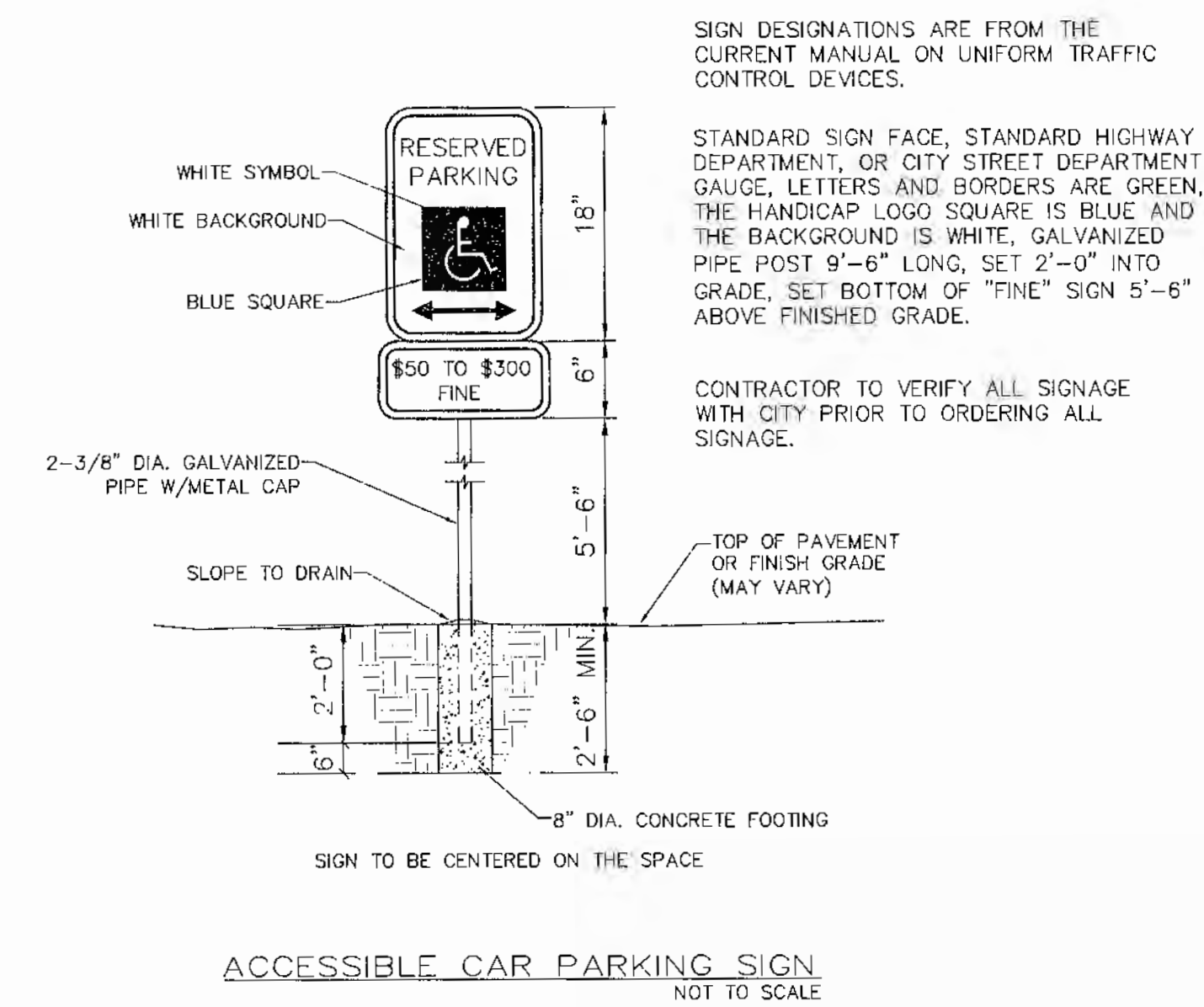
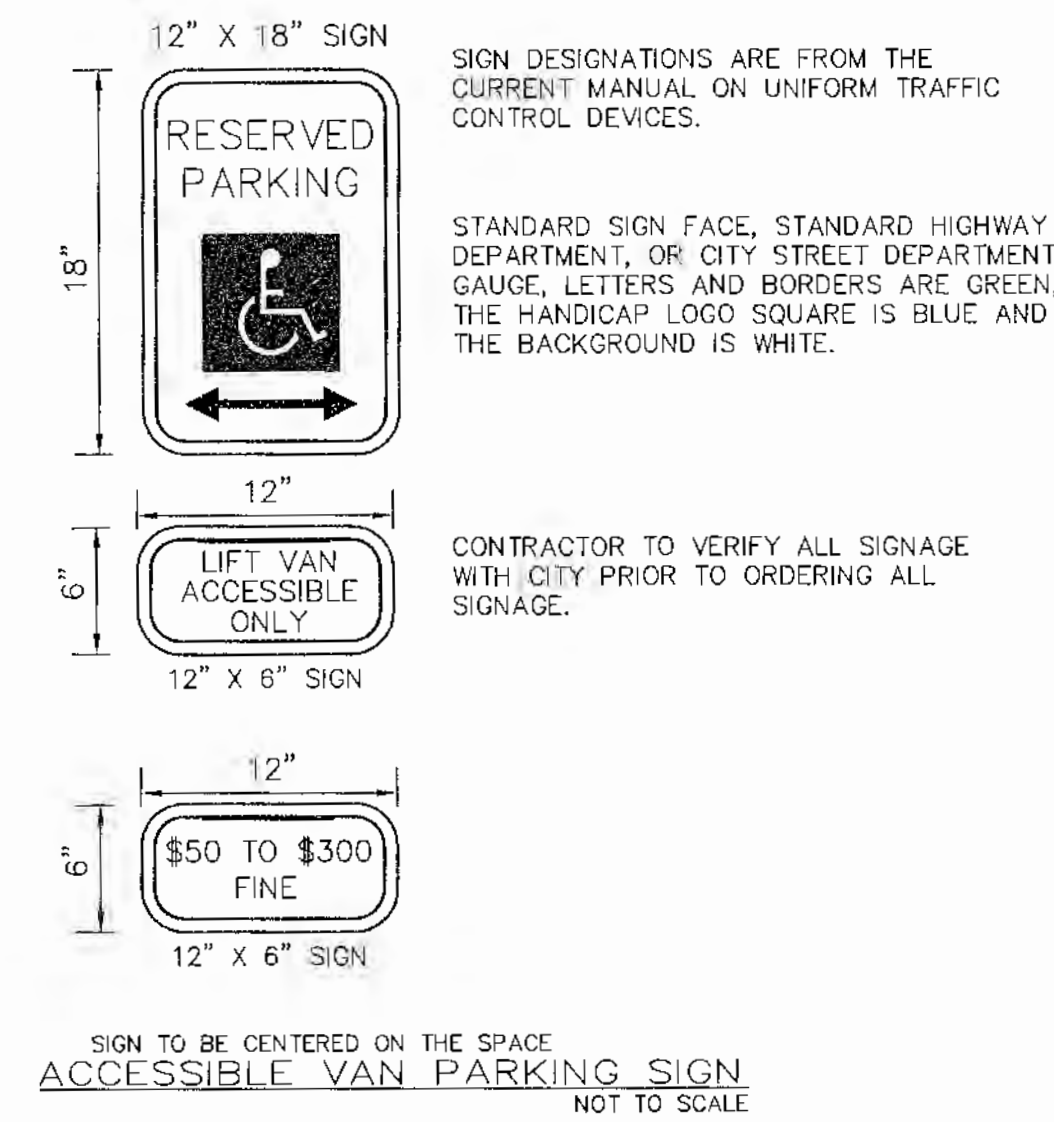
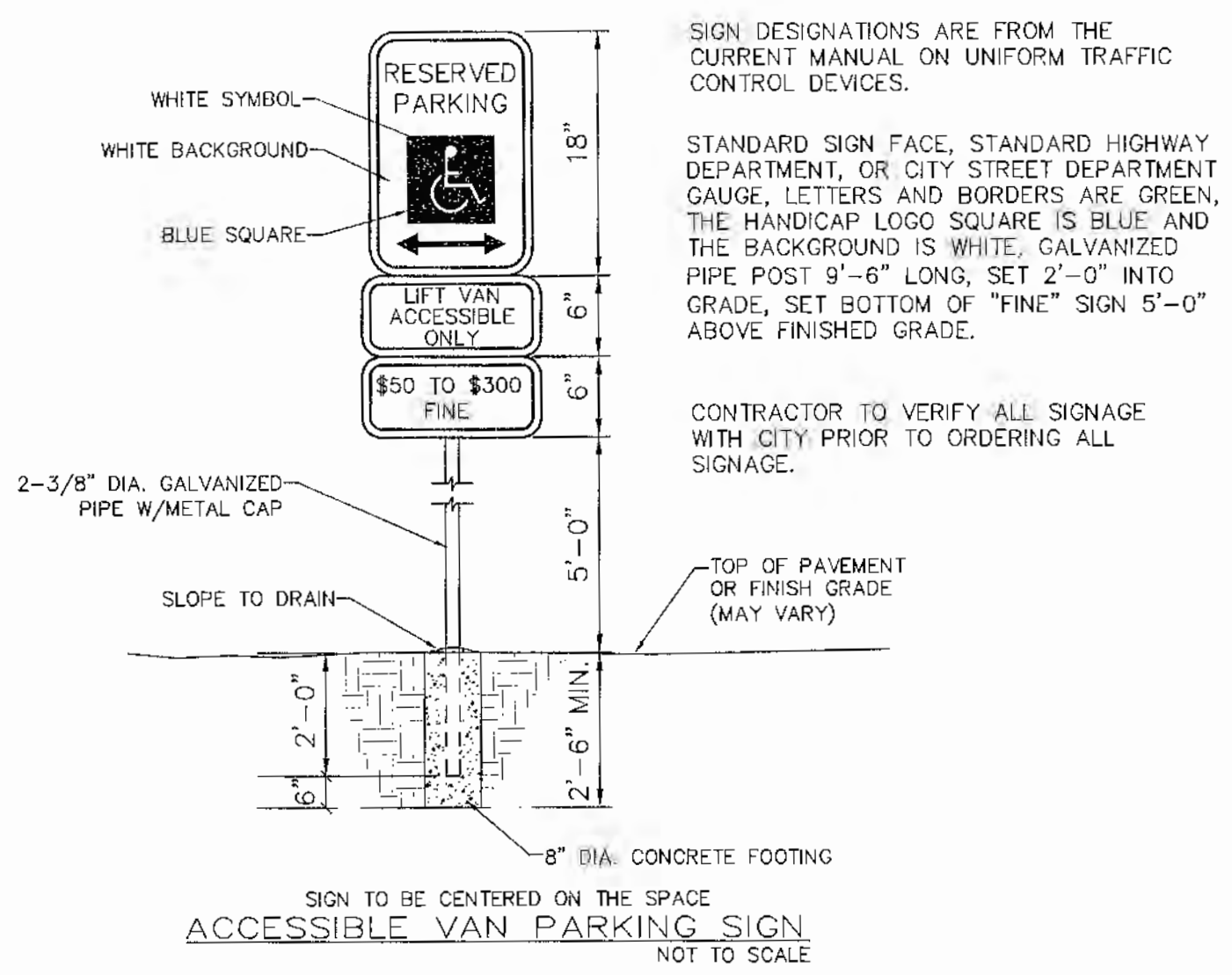
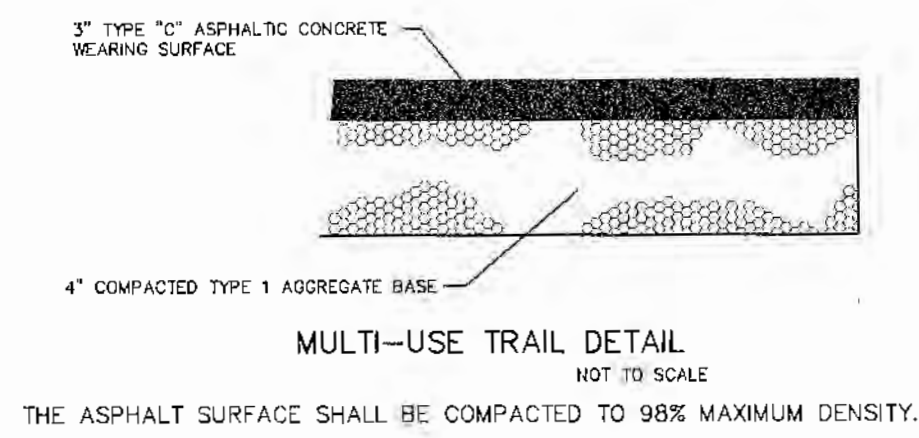
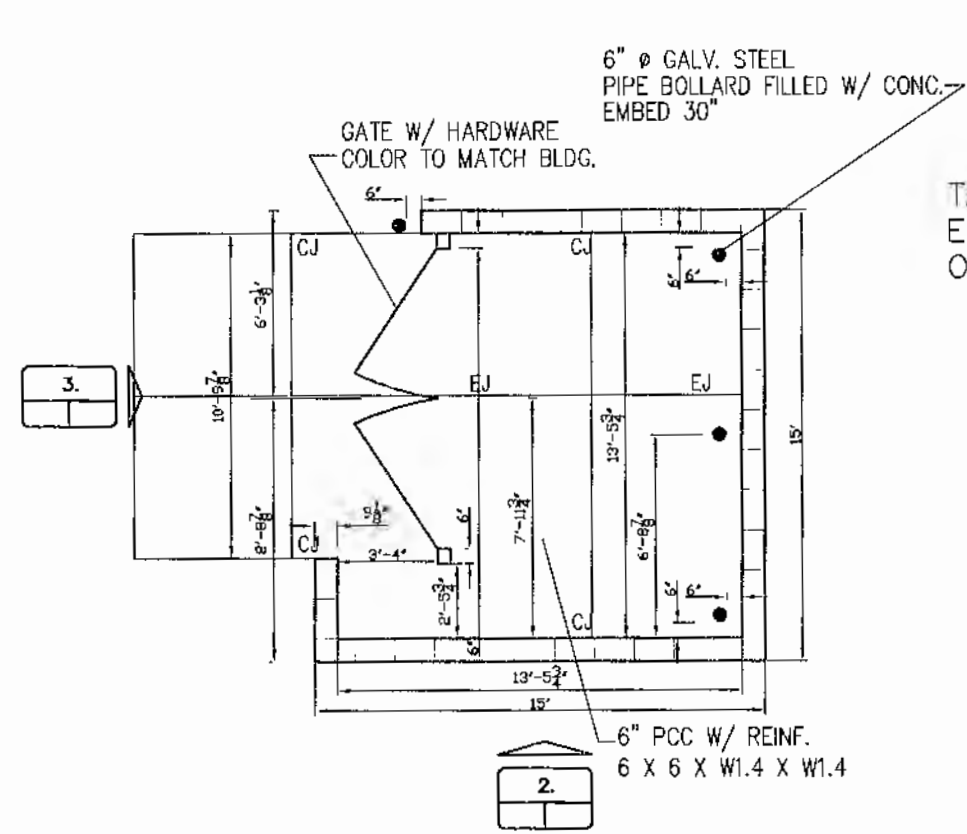
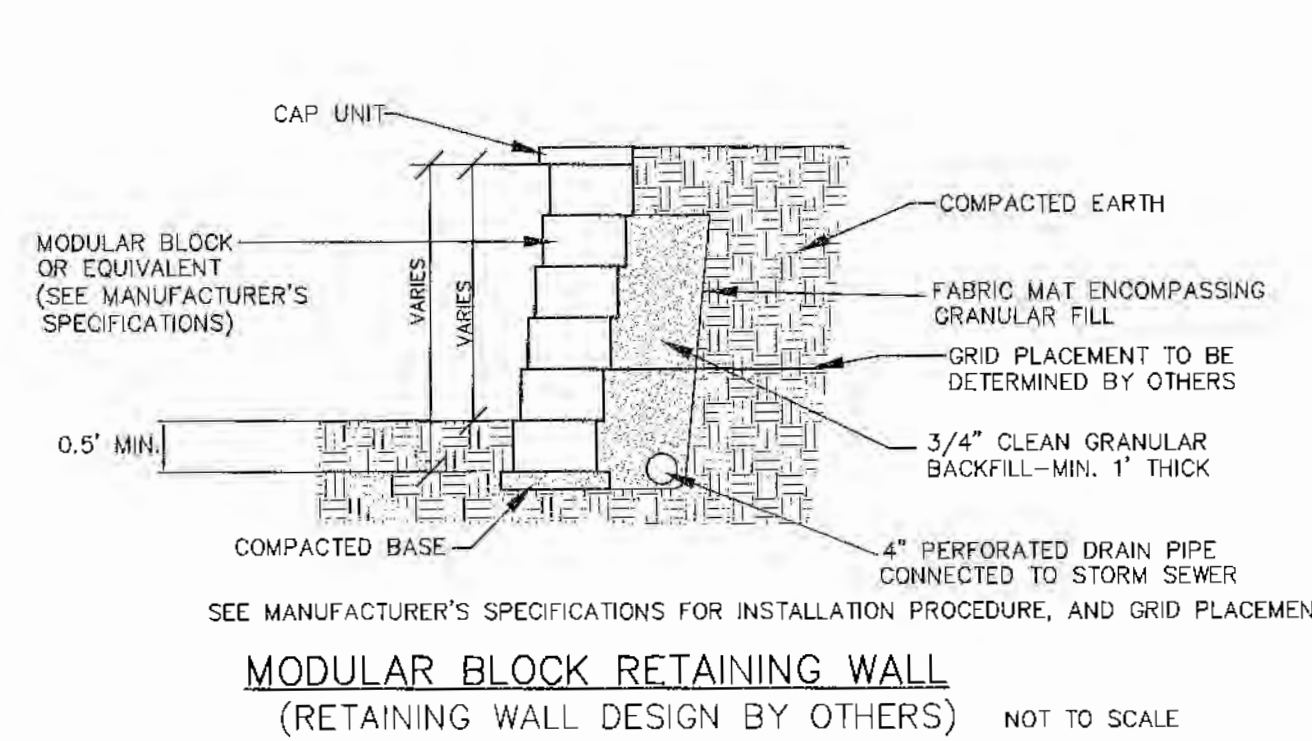
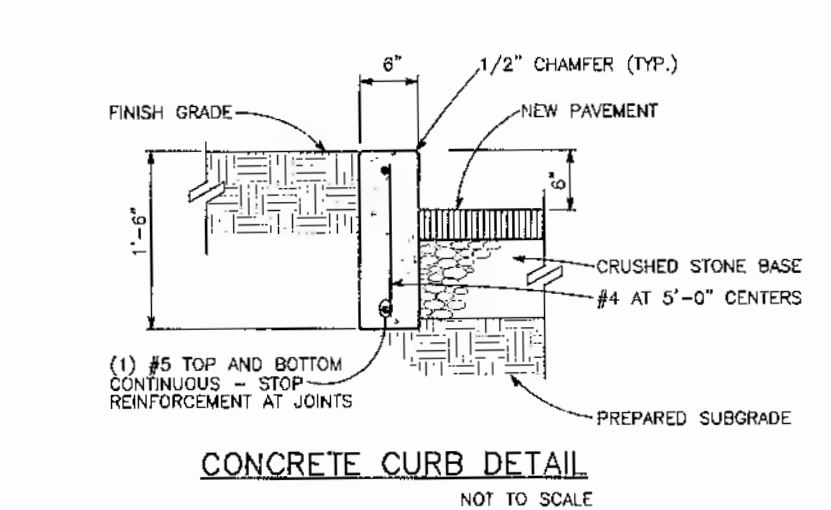
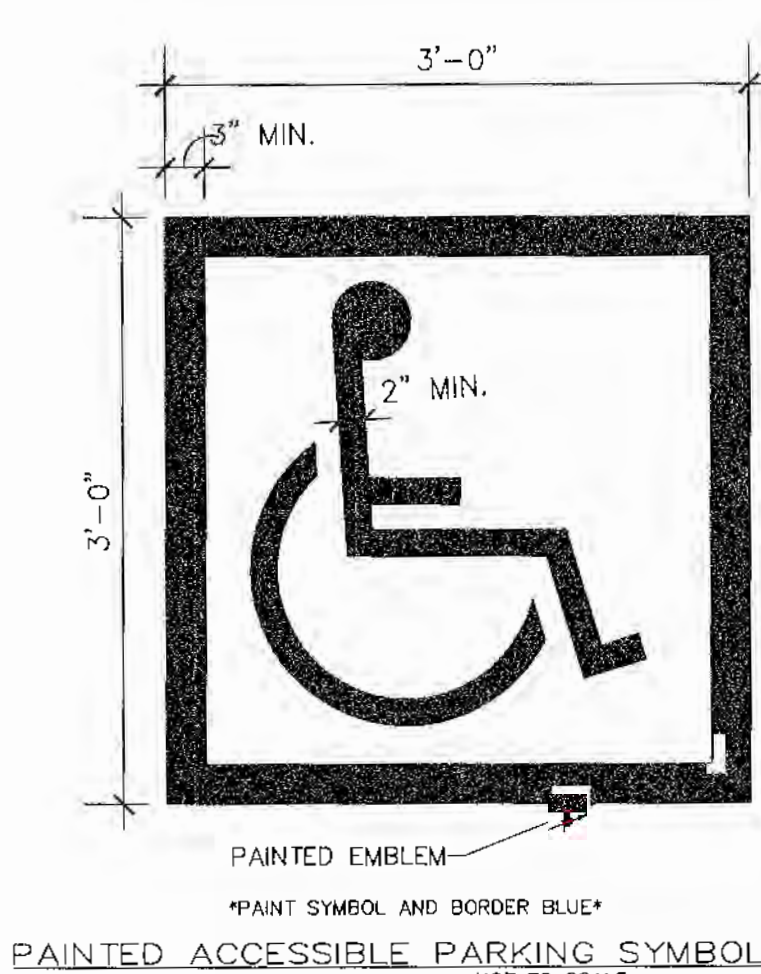
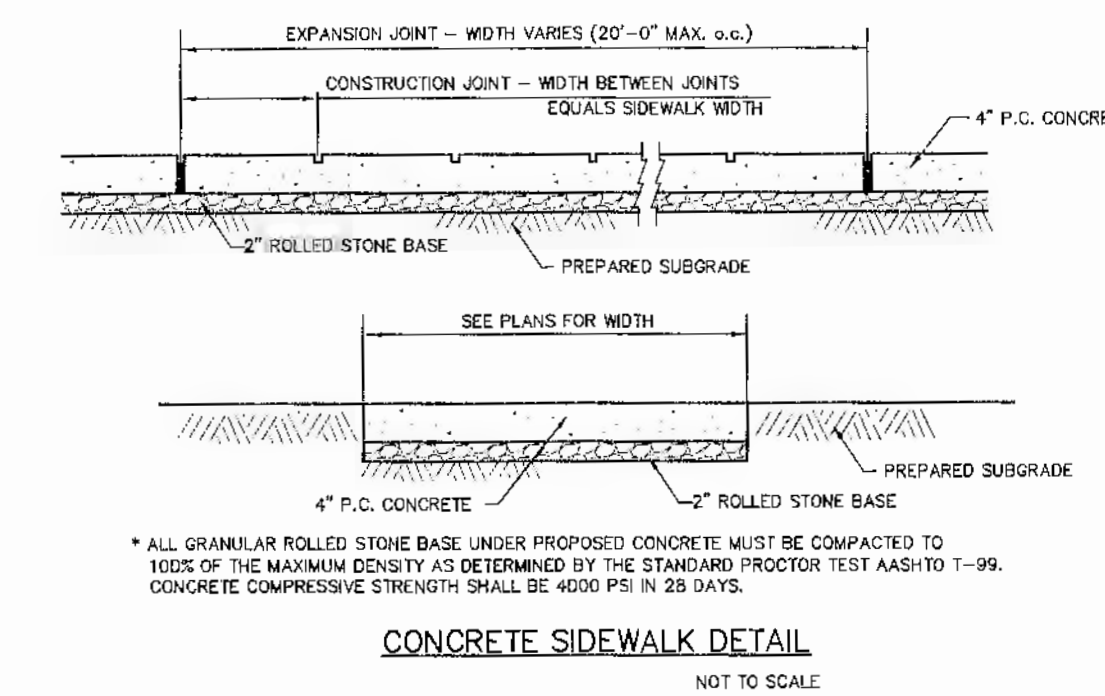
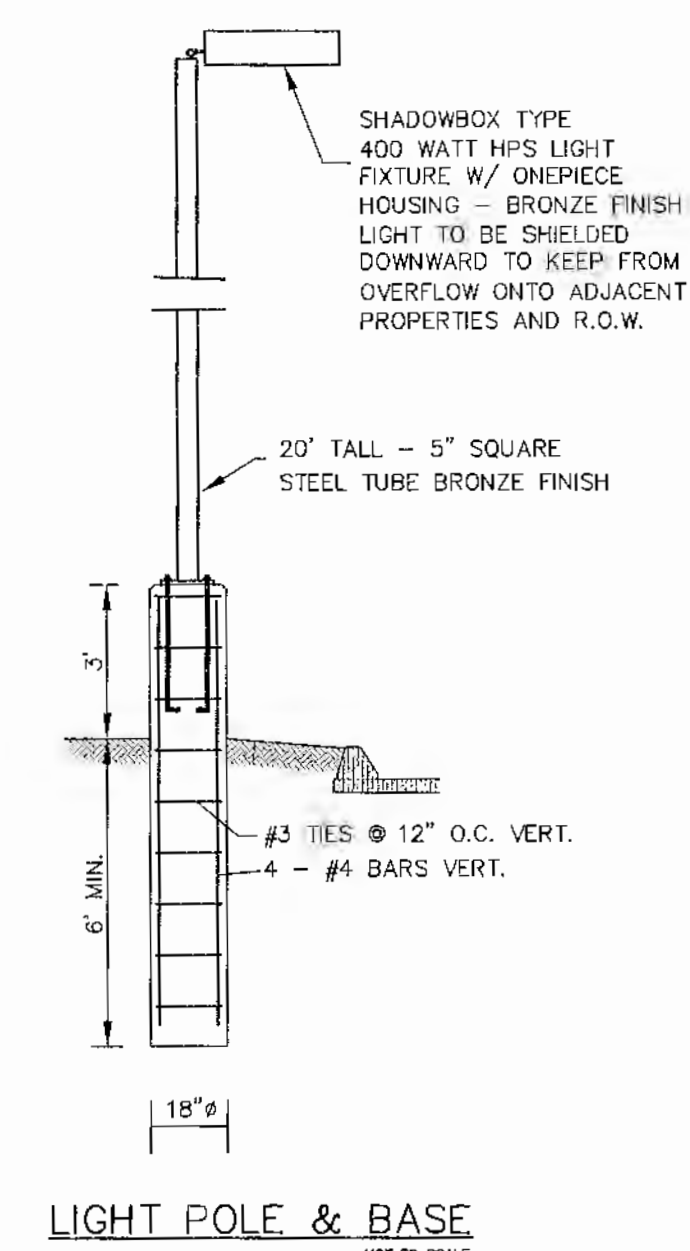


PER RN #19 ON SHEET 2

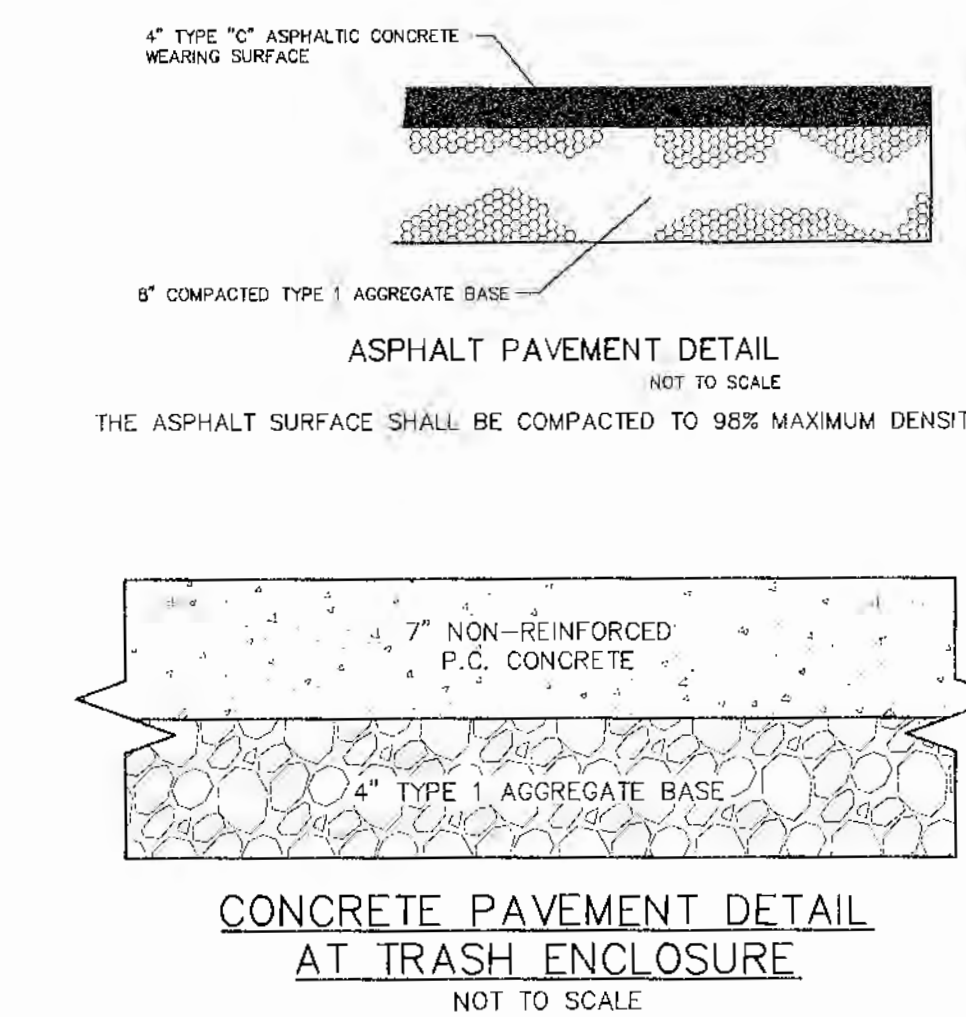
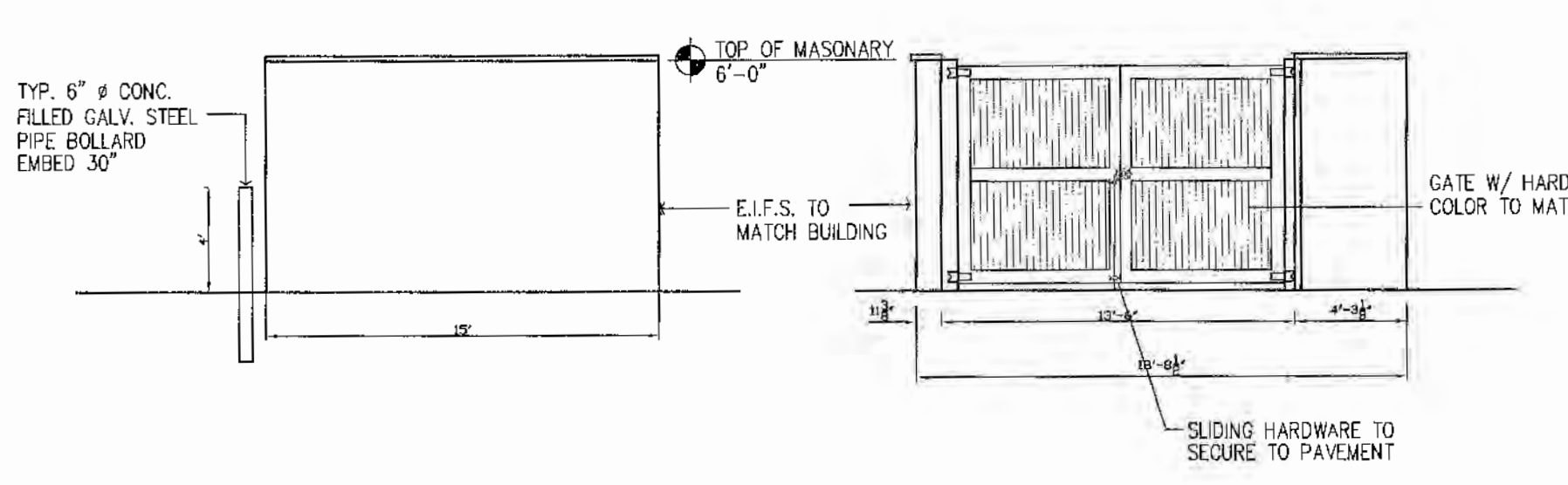
All traffic signals, street signs, sign post, backs and bracket arms shall be painted black using Carboline Rust Bond Penetrating Sealer SG and Carboline 133 HB paint (or equivalent as approved by City of O'Fallon and MoDOT).



BIKE RACK DETAIL
NOT TO SCALE



THIS DETAIL HAS BEEN PROVIDED FOR CONCEPTUAL APPROVAL ONLY. EXACT DETAIL OF MATERIAL AND CONSTRUCTION METHODS SHALL BE OUTLINES IN THE ARCHITECTURAL BUILDING PLANS.



- 1. TRASH ENCLOSURE PLAN NOT TO SCALE
- 2. ELEVATION NOT TO SCALE
- 3. ELEVATION NOT TO SCALE

** CONTRACTOR SHALL REFER TO ARCHITECTURAL PLANS FOR CONSTRUCTION OF TRASH ENCLOSURE

PROJECT TITLE:
BRYAN ROAD ANIMAL HOSPITAL

ENGINEERING FIRM:
TAM SURVEYING
221 Point West Blvd.
St. Charles, MO 63301
636-928-9552
FAX 928-1718

DISCLAIMER OF RESPONSIBILITY:
I hereby specify that the documents intended to be authorized by my seal are limited to this sheet, and I hereby disclaim any responsibility for all other drawings, specifications, estimates, reports or other documents or instruments relating to or intended to be used for any part or parts of the architectural or engineering project of the above described nature.

CLIFFORD L. HEITMANN
NUMBER E-29817
CLIFFORD L. HEITMANN
CIVIL ENGINEER
E29817

Copyright 2018
TAM Engineering Company, Inc.
Engineering Authority No. 000655
Surveying Authority No. 000144
All Rights Reserved

REVISIONS	
4-24-18	PWS2 comments
5-22-18	city & fire comments

Developer / Owner:
BRYAN ROAD ANIMAL HOSPITAL
1161 BRYAN ROAD
O'FALLON, MO 63366
636-272-3900

CONSTRUCTION DETAILS

P+Z No. # 18-000622
Approval Date: Mar. 1, 2018

City No. #

Page No. 10 of 17