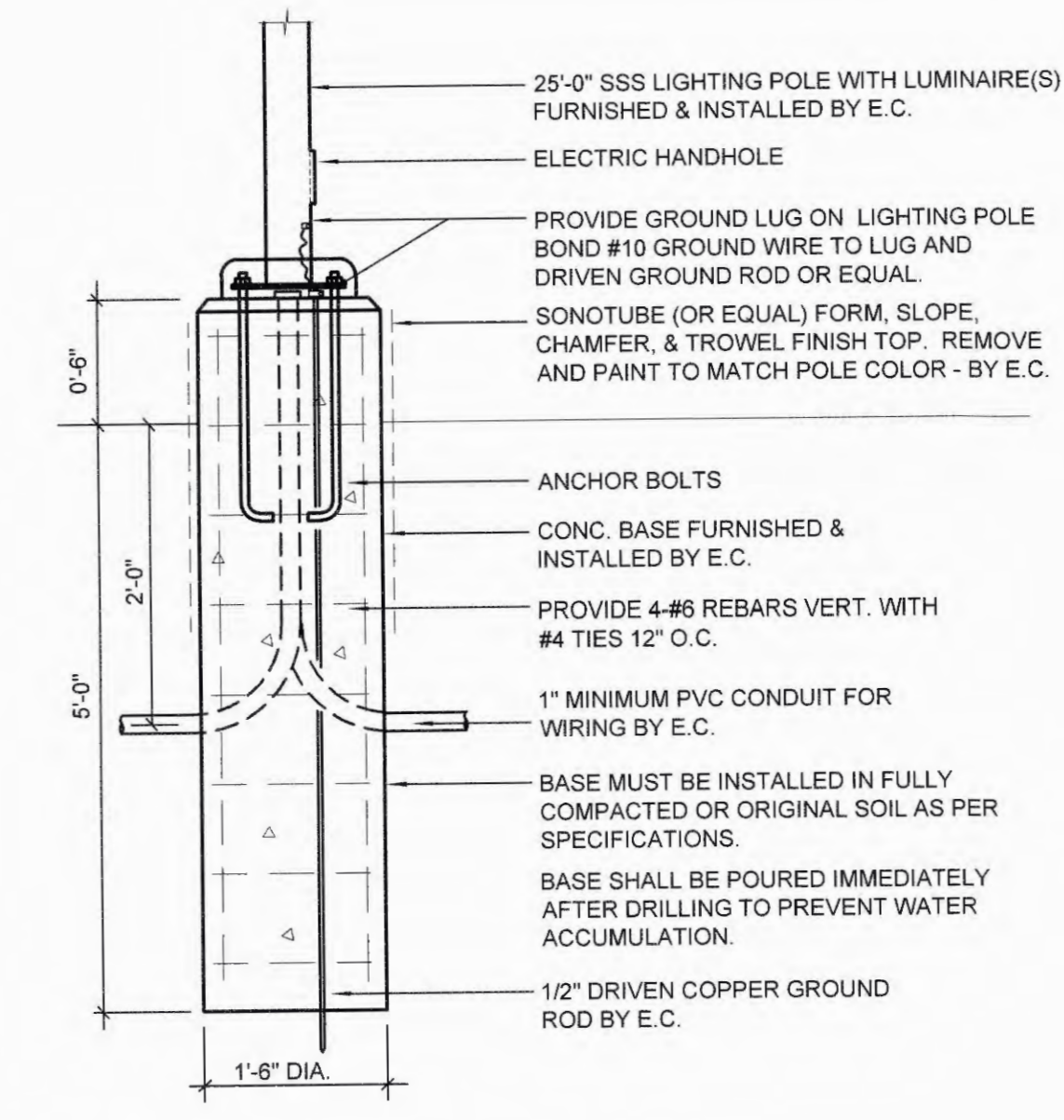


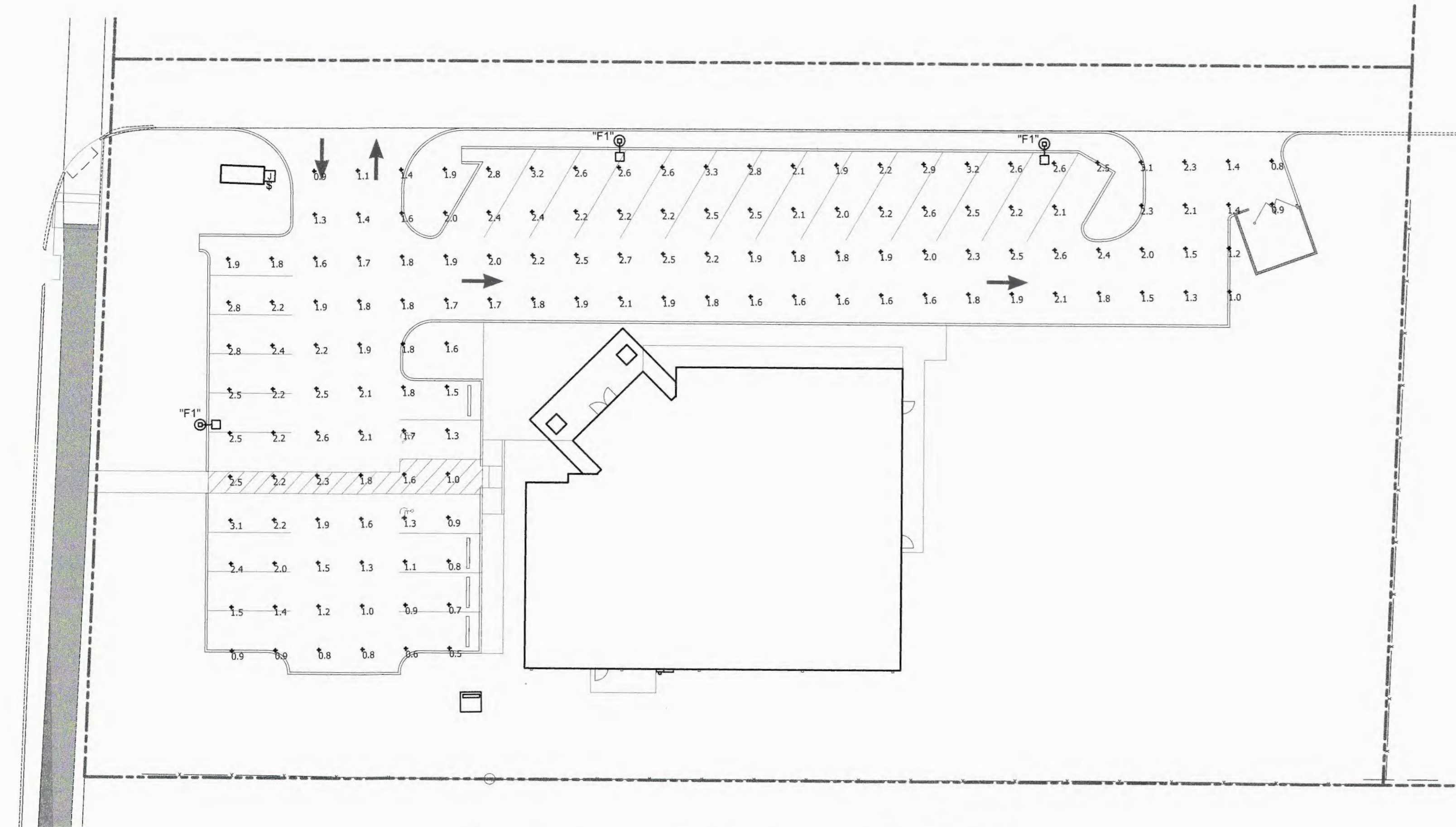
SITE PLAN - ELECTRICAL
SCALE: 1" = 20'-0"



1 LIGHT STANDARD DETAIL
NO SCALE

PLAN NOTES - SITE ELECTRICAL

- PROPOSED C/T CABINET AND METER BASE. COORDINATE WITH AMEREN AND OWNER PRIOR TO START OF CONSTRUCTION.
- SERVICE FEEDER, SEE RISER DIAGRAM DETAIL 1/E1.0.
- PROPOSED AMEREN TRANSFORMER AND PAD PER AMEREN STANDARDS. COORDINATE CONNECTION TO 120/240V-1PH-3W SERVICE WITH AMEREN PRIOR TO START OF CONSTRUCTION.
- STUB-UP 2" SCHEDULE 40 PVC CONDUIT FOR COMMUNICATIONS SERVICE.
- TERMINATE COMMUNICATIONS CONDUIT AT SERVICE POINT. VERIFY WITH OWNERS PROVIDER.
- (2) 3" SCHEDULE 40 PVC PRIMARY CONDUITS PER AMEREN STANDARDS AND SPECIFICATIONS.



SITE PLAN - LIGHTING PHOTOMETRIC
SCALE: 1" = 20'-0"

FIXTURES MOUNTED ON 25' POLE
LIGHT LEVEL CALCULATED ON THE GROUND

Symbol	Qty	Label	Arrangement	Lum. Watts	Total Watts	LLF	Description - Lumark #
⊙-□	3	F1	SINGLE	163	489	0.912	PRV-A60-D-UNV-T4-B2-HSS

Label	CalcType	Units	Avg	Max	Min	Avg/Min	Max/Min
SITE	Illuminance	Fc	1.91	3.3	0.5	3.82	6.60

DESIGN IS BASED ON CURRENT INFORMATION PROVIDED AT THE TIME OF REQUEST. ANY CHANGES IN MOUNTING HEIGHT OR LOCATION, LAMP WATTAGE, LAMP TYPE, AND EXISTING FIELD CONDITIONS, THAT EFFECT ANY OF THE PREVIOUSLY MENTIONED, WILL VOID CURRENT LAYOUT AND REQUIRE A CHANGE REQUEST AND RECALCULATION.

The Professional Engineer's seal and signature apply only to the document to which they are affixed. The Engineer expressly disclaims any responsibility for the design or construction of any instruments relating to or intended to be used for any part of the engineering project.
© 2018 G&W Engineering Corp.

Electrical Documents For:
Bryan Road Animal Hospital
Bryan Road
O'Fallon, Missouri 63366

SEAL
STATE OF MISSOURI
KEVIN S. GRIESEMER
PROFESSIONAL ENGINEER
NUMBER PE-23628
MAY 23 2018

REVISIONS

ISSUED FOR PERMIT	05-23-18
JOB NO:	2018-0266.00
DRAWN BY:	T.F.D./M.P.W.
CHECKED BY:	K.S.G.
DATE:	05-23-18
SHEET NO.	E4.0
	SITE PLAN - LIGHTING