

**PRECAST CONCRETE STORMWATER STRUCTURES**

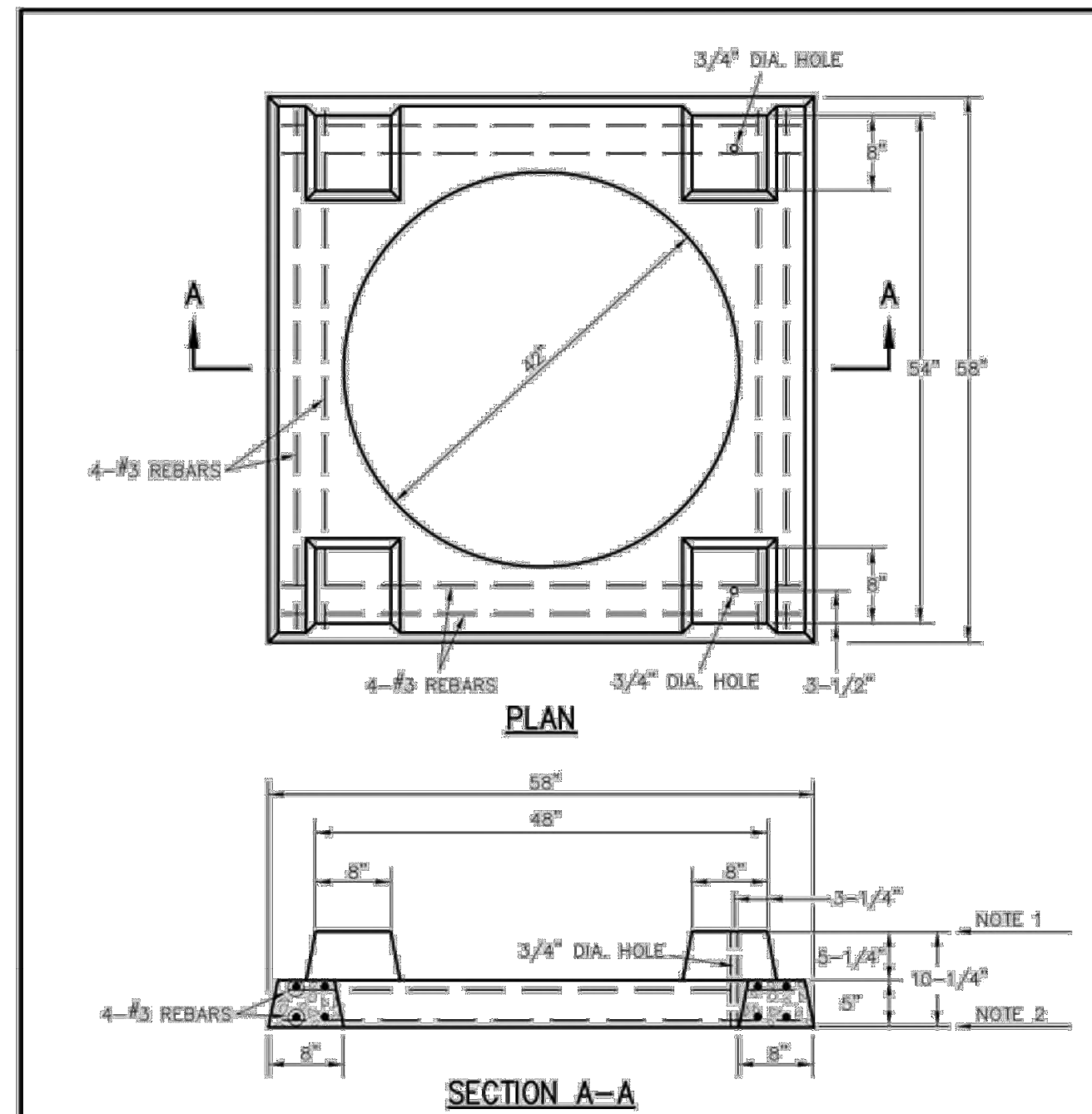
MINIMUM DISTANCE FLOWLINE TO TOP OF STONE OR GRATE

PIPE I.D. NOMINAL INCHES	AREA INLET				(2) GRATE INLET			SINGLE STREET INLET		
	CIRCULAR BASE DIA. 42"	48"	60"	72"	CIRCULAR BASE DIA. 42"	48"	SQUARE (MAX.) 80"	CIRCULAR BASE DIA. 42"	48"	60"
12"	45"				38"		31"	48"		41"
15"	48"				41"		34"	51"		44"
18"	52"				44"		37"	55"		48"
21"	55"				47"		40"	58"		51"
24"		58"			51"		44"	61"		54"
27"			76"				71"	NA		61"
30"				82"			74"	NA		68"
33"					85"		77"	NA		75"

(SEE SHEET 34 FOR DETAIL) (SEE SHEET 35 FOR DETAIL) (SEE SHEET 36 FOR DETAIL)

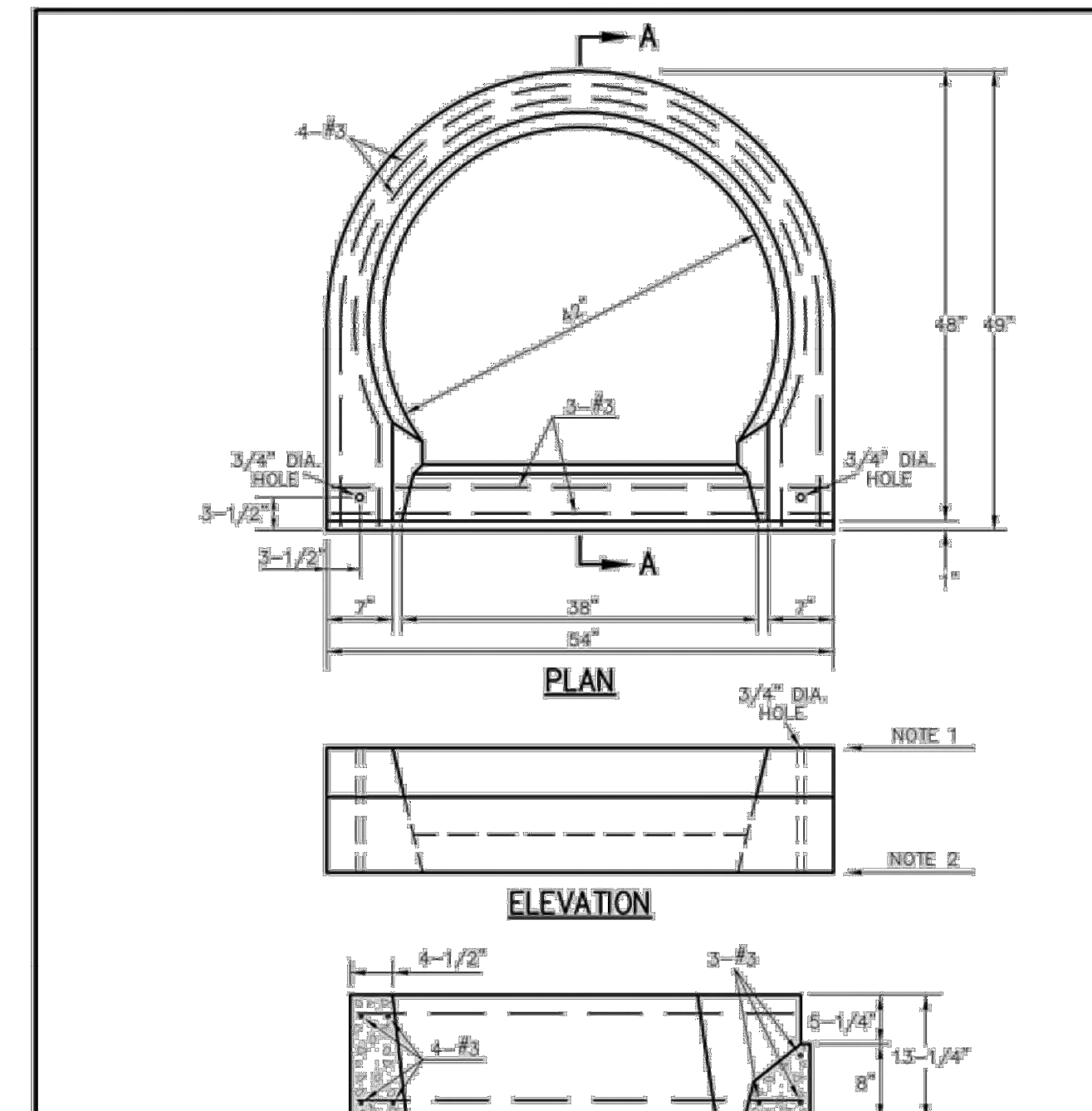
- NOTES:
- 1) 48" DIAMETER BASE REQUIRES 7" HIGH TRANSITION SECTION TO 42" DIAMETER, SIMILAR TO "ADAPTER RING" SHEET 34.
  - 2) 60" DIAMETER BASE REQUIRES 24" HIGH ECCENTRIC REDUCER TRANSITION TO 42" DIAMETER, SIMILAR TO "ADAPTER RING" SHEET 34.
  - 3) STANDARD DEPTH = 3" + PIPE DIAMETER.

PRECAST CONCRETE STORMWATER STRUCTURES	METROPOLITAN ST. LOUIS SEWER DISTRICT Standard Details of Sewer Construction			
	Dr. J.L.G./SAM Ch. J.C.K.	2009	SHEET 33	



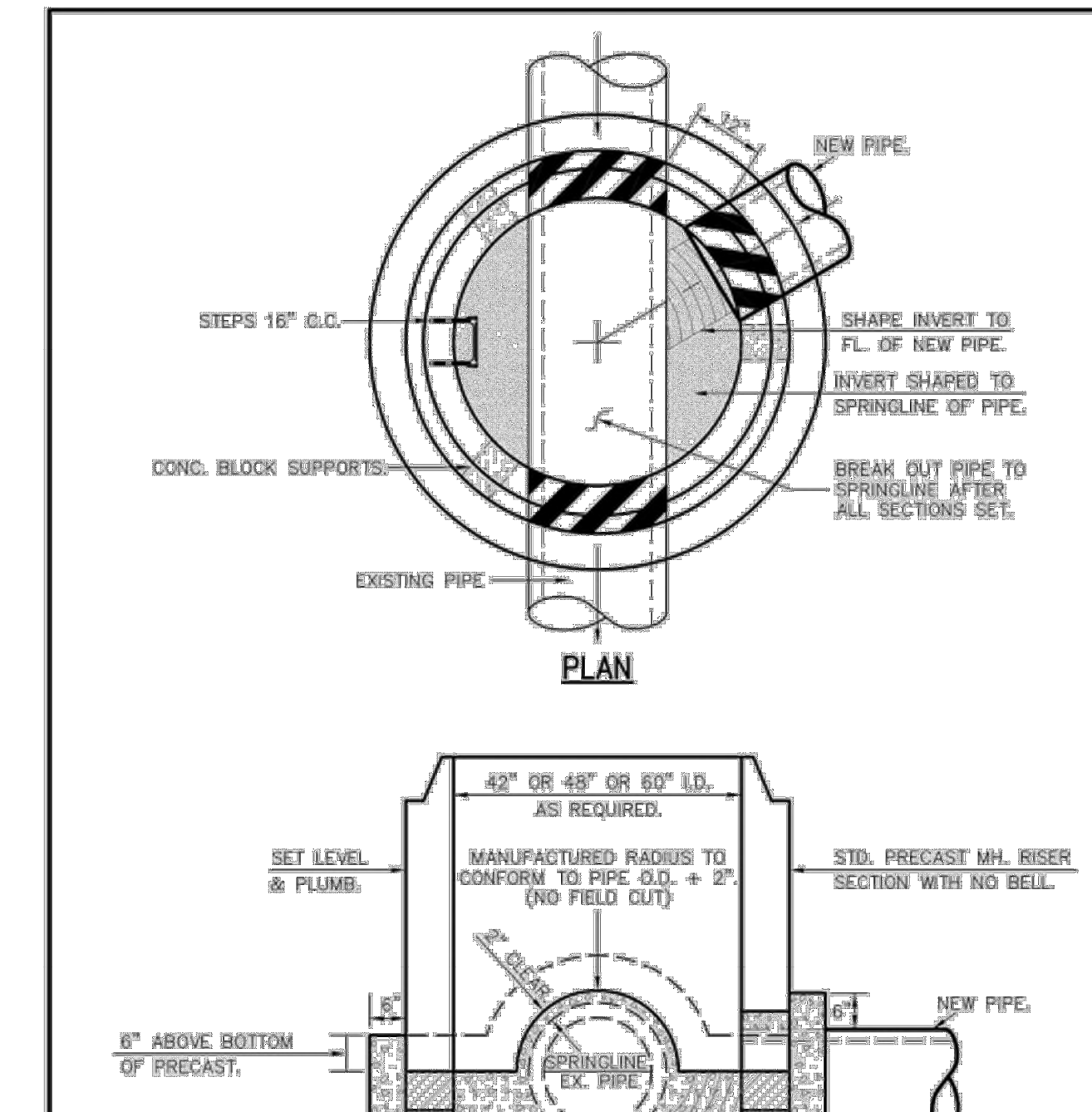
- NOTES:
- 1) SET STANDARD INLET STONE IN 3/4" MORTAR BED AND DOWEL WITH 5/8" DIA. 1'-0" LONG PINS AND GROUT.
  - 2) RAISE TO FINAL GRADE WITH COURSES OF BRICK AND SET THE UNIT TO BASE WITH 3/4" MORTAR BED.
  - 3) THIS UNIT IS TO BE USED WITH 42 INCH I.D. BASE.
  - 4) 5000 P.S.I. CONCRETE IS REQUIRED.

PRECAST CONCRETE UNIT FOR 4 WAY AREA INLET	METROPOLITAN ST. LOUIS SEWER DISTRICT Standard Details of Sewer Construction			
	Dr. D.A.B./SAM Ch. J.C.K.	2009	SHEET 40	



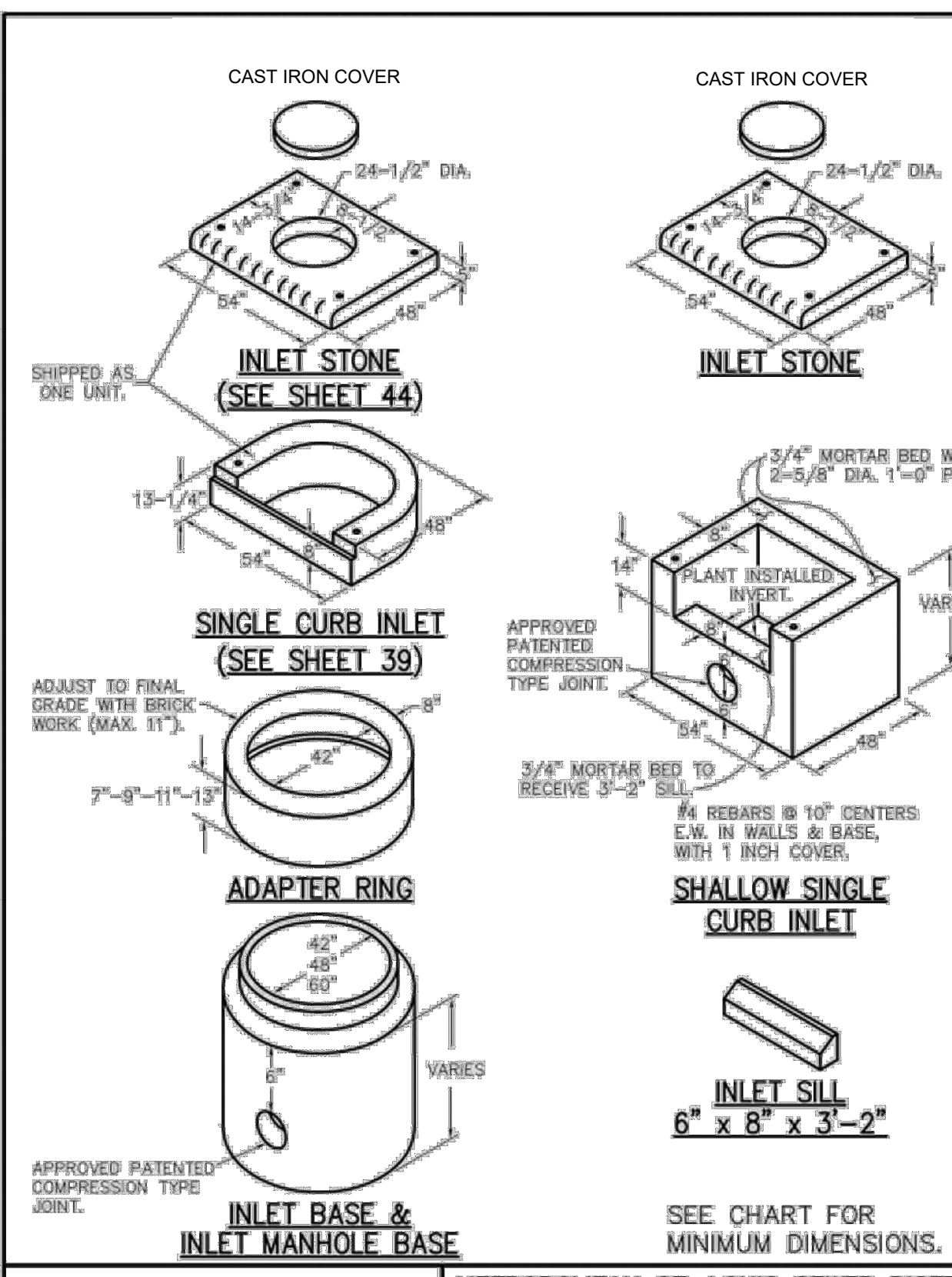
- NOTES:
- 1) SET STANDARD INLET STONE IN 3/4" MORTAR BED AND DOWEL WITH 5/8" DIA. 1'-0" LONG PINS AND GROUT.
  - 2) RAISE TO FINAL GRADE WITH COURSES OF BRICK AND SET THE UNIT TO BASE WITH 3/4" MORTAR BED.
  - 3) THIS UNIT IS TO BE USED WITH 42 INCH I.D. POURED-IN-PLACE CONCRETE OR BRICK BASE.
  - 4) 5000 P.S.I. CONCRETE IS REQUIRED.

PRECAST CONCRETE UNIT FOR SINGLE STREET INLET	METROPOLITAN ST. LOUIS SEWER DISTRICT Standard Details of Sewer Construction			
	Dr. WSH/SAM Ch. J.C.K.	2009	SHEET 39	

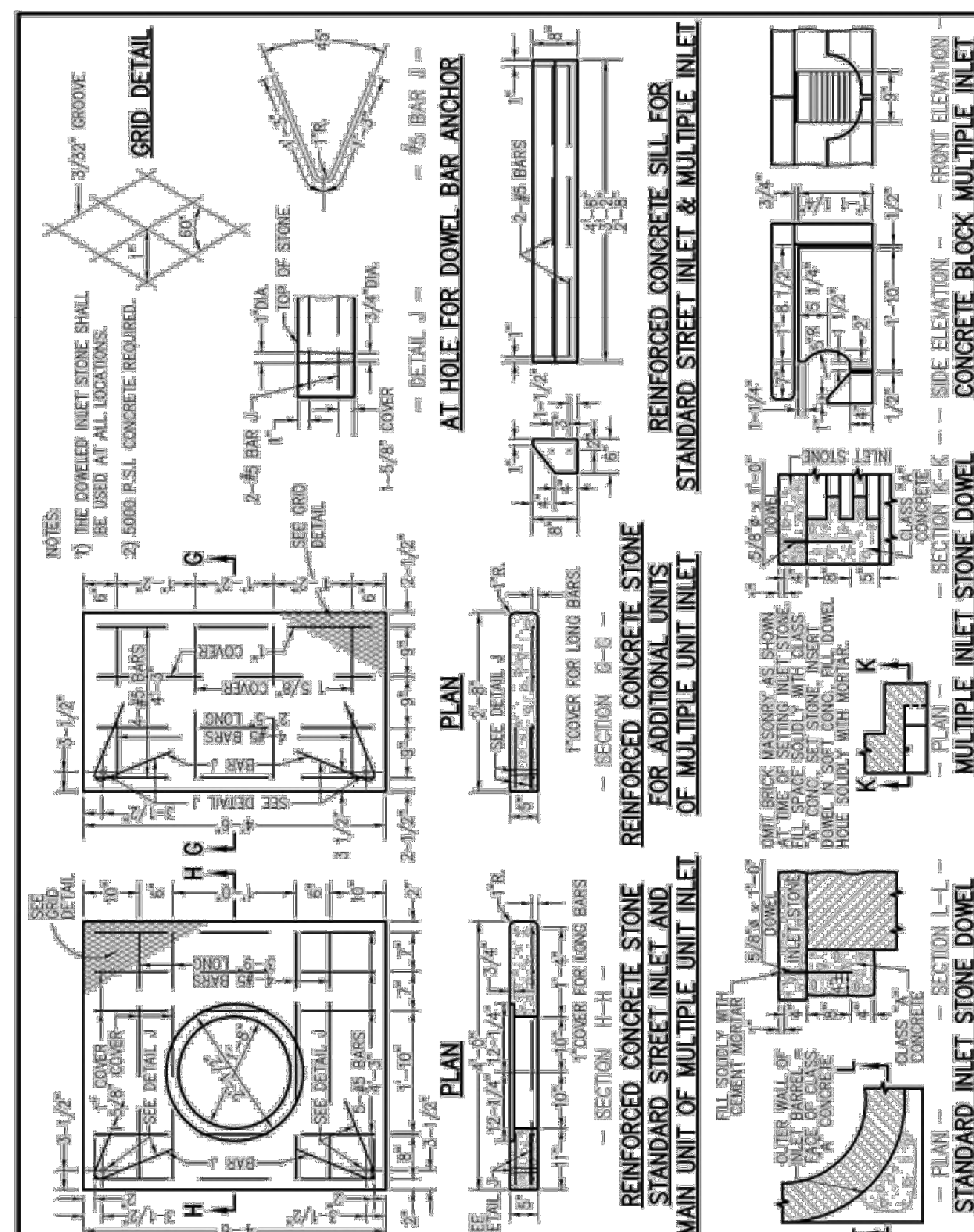


- NOTE: WATER STOP REQUIRED FOR P.V.C., SANITARY & COMBINED SEWERS TO BE VACUUM TESTED.

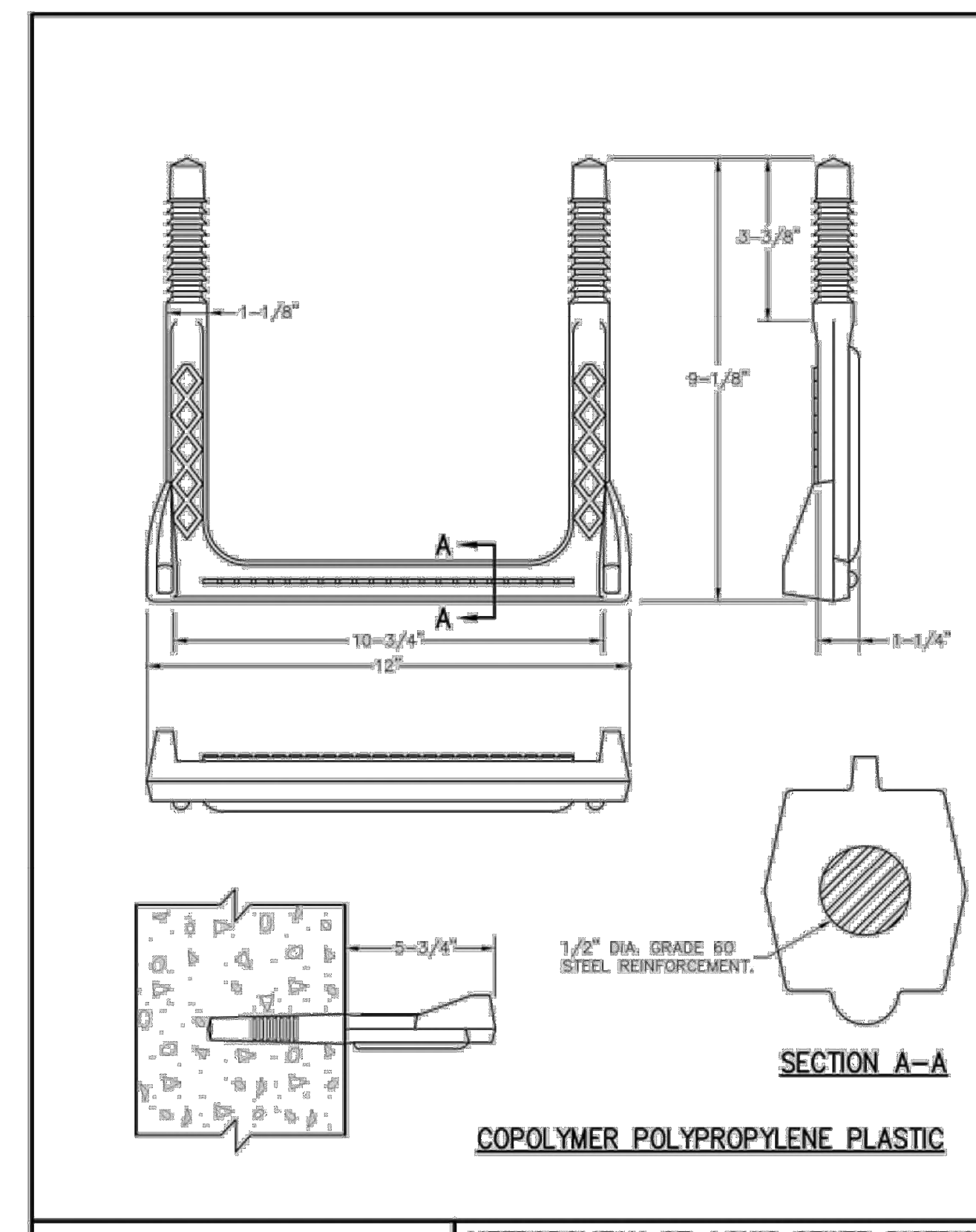
PRECAST MANHOLE ON EXIST. PIPE W/CONTINUOUS FLOW ONLY	METROPOLITAN ST. LOUIS SEWER DISTRICT Standard Details of Sewer Construction			
	Dr. S.A.M./SAM Ch. P.W.S.	2009	SHEET 22	



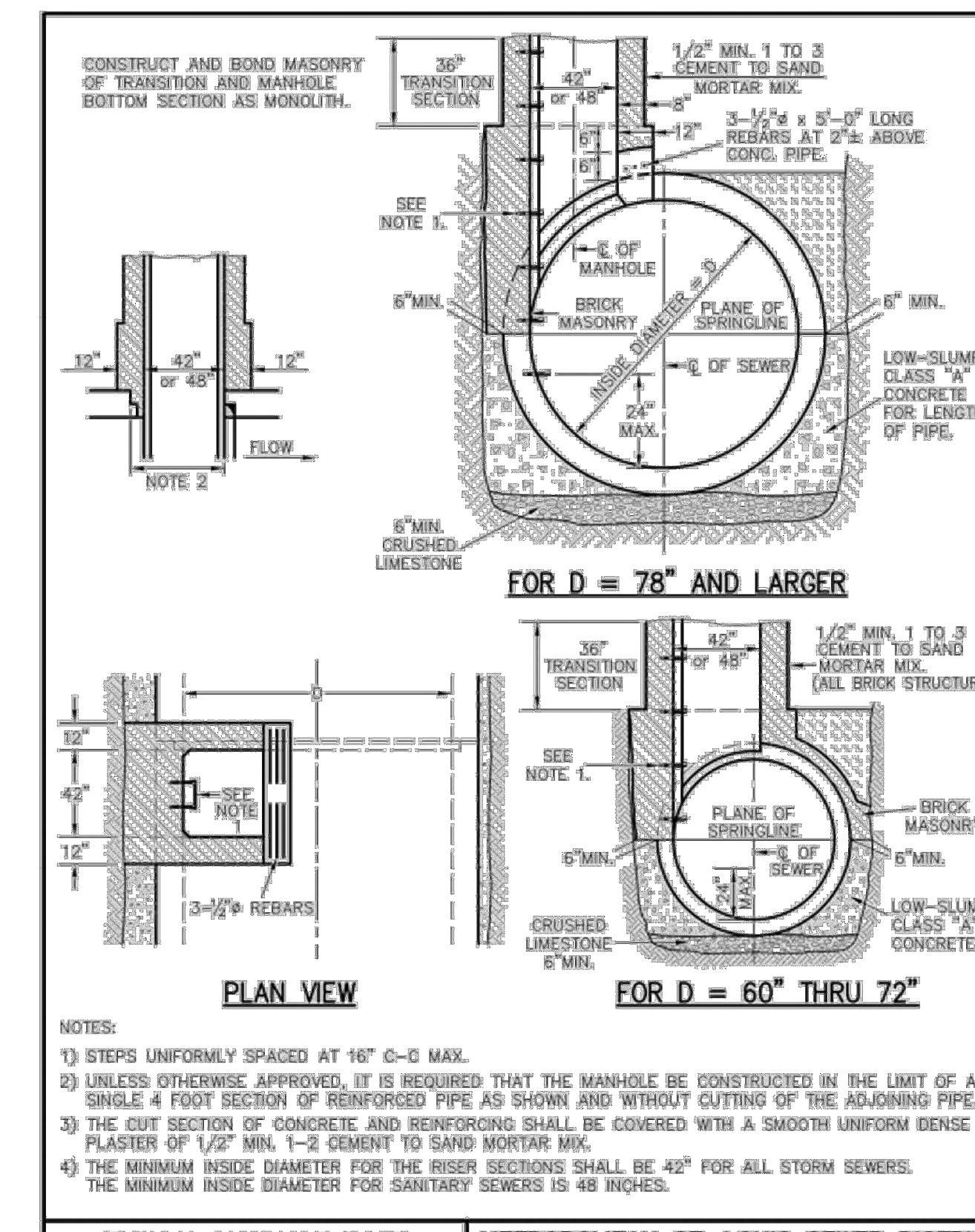
SINGLE STREET INLETS PRECAST CONCRETE	METROPOLITAN ST. LOUIS SEWER DISTRICT Standard Details of Sewer Construction			
	Dr. J.L.G./SAM Ch. J.C.K.	2009	SHEET 36	



STANDARD - INLET STONES, BLOCKS & DESIGN DETAILS	METROPOLITAN ST. LOUIS SEWER DISTRICT Standard Details of Sewer Construction			
	Dr. WSH/SAM Ch. J.C.K.	2009	SHEET 44	



MANHOLE STEP FOR PRECAST & CAST-IN-PLACE MANHOLE	METROPOLITAN ST. LOUIS SEWER DISTRICT Standard Details of Sewer Construction			
	Dr. D.A.B./SAM Ch. J.C.K.	2009	SHEET 58	



TYPICAL MANHOLE BASE REINFORCED CONCRETE PIPE SEWERS 60" AND LARGER IN DIAMETER	METROPOLITAN ST. LOUIS SEWER DISTRICT Standard Details of Sewer Construction			
	Dr. WSH/SAM Ch. J.C.K.	2009	SHEET 15	



ENGINEERS AUTHENTICATION  
The responsibility for professional engineering actions on this project is hereby limited to the set of plans authorized by the seal, signature, and date hereon attached. Responsibility is disclaimed for all other engineering plans involved in this project and specifically excludes revisions after the date stated hereon.

STEVEN MARKON  
PROFESSIONAL ENGINEER  
PE 200007195

Project: **NOLES PROPERTIES LLC**  
**BRYAN ROAD COMMERCIAL DEVELOPMENT**  
TBD BRYAN ROAD  
OFALLON, MO 63376  
NOLES PROPERTIES LLC  
11361 OLIVE BLVD  
CREVE COEUR, MO 63141

Date: 5/2/2023

#	Revision Date	Description of Changes
1	6/26/2023	REVISED PER CITY OF OFALLON AND OFALLON FIRE COMMENTS
2	7/17/2023	REVISED PER CITY OF OFALLON COMMENTS
3	7/17/2023	REVISED PER CITY OF OFALLON COMMENTS

Sheet Number: **C-800**

Project No: 2202920  
Drawn By: P. HEITZ  
Checked By: M. FOGARTY

ISSUED FOR CONSTRUCTION