



**ENGINEERS AUTHENTICATION**  
The responsibility for professional engineering liability on this project is hereby limited to the set of plans authorized by the seal, signature, and date hereunder attached. Responsibility is disclaimed for all other engineering plans involved in this project and specifically excludes revisions after the date stated hereunder.  
STEVEN D. MARKON, P.E.  
PROFESSIONAL ENGINEER  
PE 2006007195

NOLES PROPERTIES LLC  
BRYAN ROAD COMMERCIAL DEVELOPMENT

TBD BRYAN ROAD  
OFALLON, MO 63376  
NOLES PROPERTIES LLC  
11361 OLIVE BLVD  
CREVE COEUR, MO 63141

Project: \_\_\_\_\_  
Date: 5/2/2023

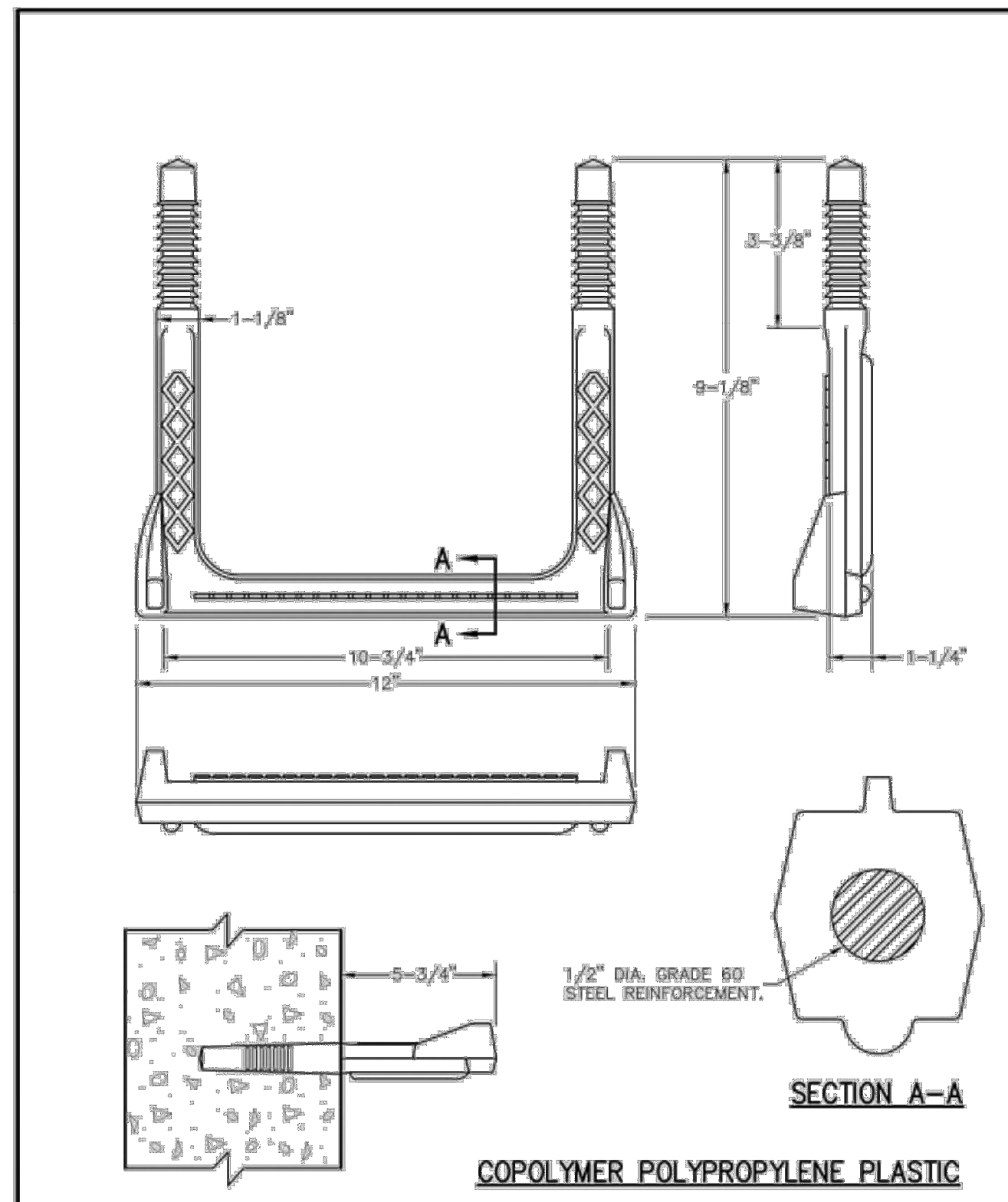
#	Revision Date	Description of Changes
1	6/26/2023	REVISED PER CITY OF OFALLON AND OFALLON FIRE COMMENTS
2	7/17/2023	REVISED PER CITY OF OFALLON COMMENTS
3	7/17/2023	REVISED PER CITY OF OFALLON COMMENTS

Sheet Title: **STORM SEWER DETAILS**

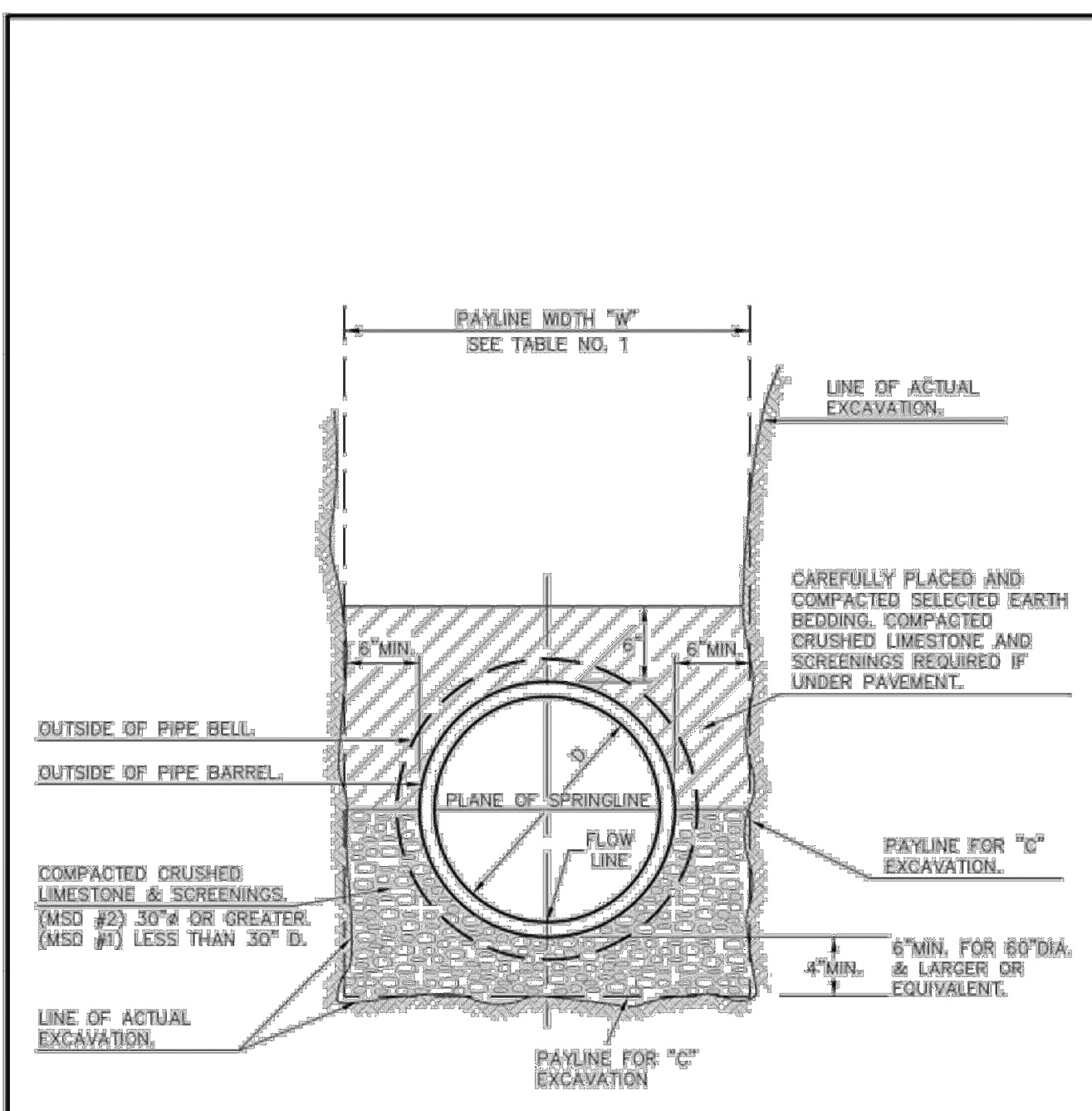
Sheet Number: **C-802**

Project No: 2202920  
Drawn By: P. HEITZ  
Checked By: M. FOGARTY

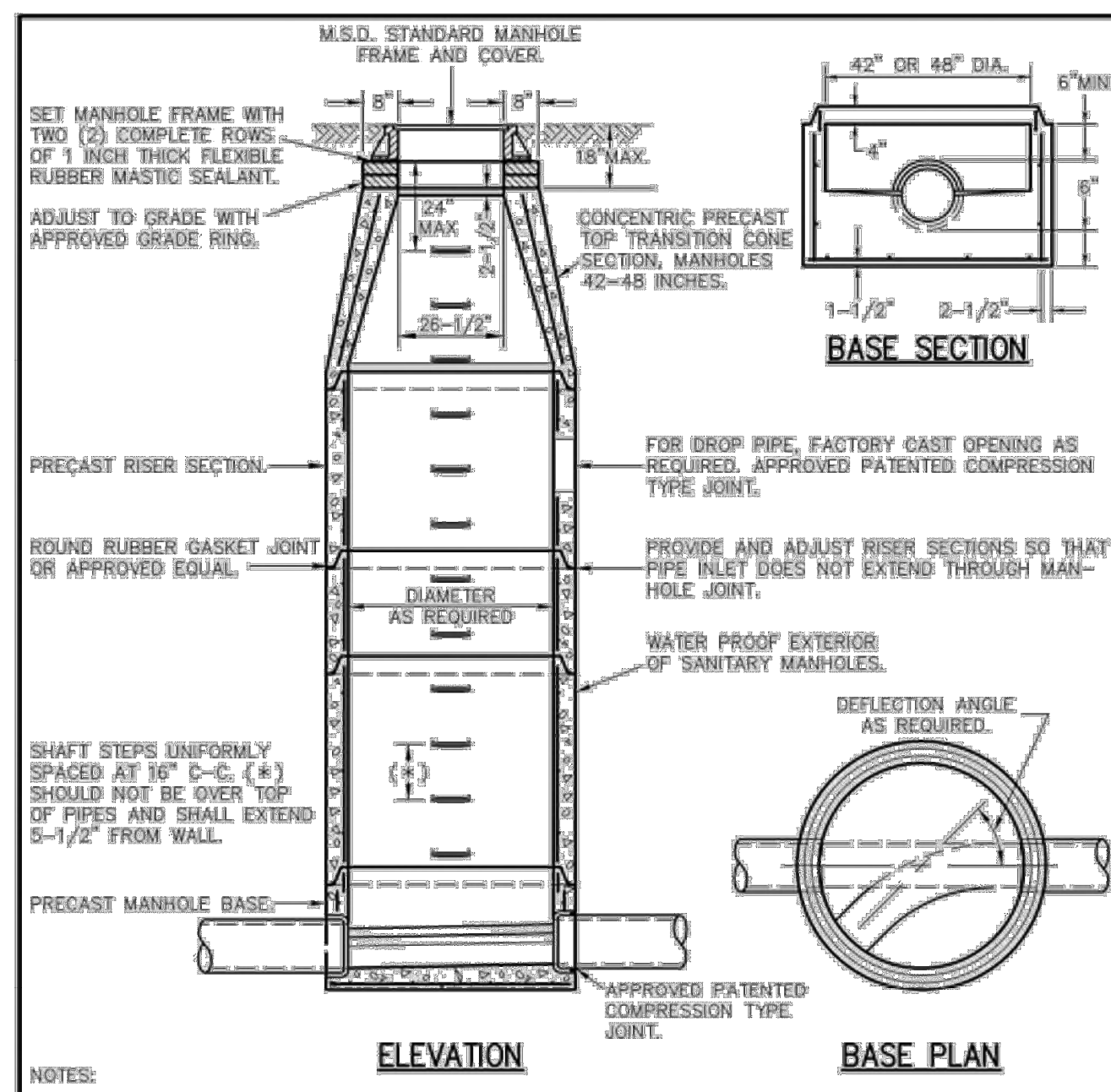
ISSUED FOR CONSTRUCTION



<b>MANHOLE STEP FOR PRECAST &amp; CAST-IN-PLACE MANHOLE</b>	<b>METROPOLITAN ST. LOUIS SEWER DISTRICT Standard Details of Sewer Construction</b>		
	Dr. D.A.B. Ch. J.C.K.	2009	SHEET 58



<b>PIPE BEDDING CLASS "C" (MODIFIED FOR REINFORCED CONCRETE PIPE)</b>	<b>METROPOLITAN ST. LOUIS SEWER DISTRICT Standard Details of Sewer Construction</b>		
	Dr. W.S.H. Ch. J.C.K.	2009	SHEET 5



NOTES:

- THE MINIMUM INSIDE DIAMETER FOR THE BASE AND RISER SECTIONS SHALL BE 42 INCHES FOR 8 INCH DIAMETER SANITARY SEWERS AND ALL STORM SEWERS. THE MINIMUM INSIDE DIAMETER FOR SANITARY SEWERS LARGER THAN 8 INCH DIAMETER IS 48 INCHES; MANHOLE SHALL MEET ASTM C-478 REQUIREMENTS.
- FLOWLINE ELEVATION OF INCOMING PIPES SHALL BE 1 INCH HIGHER THAN THAT OF OUTGOING PIPE.
- PIPE SIZES LARGER THAN 24 INCH DIAMETER MAY REQUIRE MANHOLE DIAMETERS OF 60 INCH, 72 INCH OR 84 INCH AS DETERMINED BY OUTSIDE DIAMETERS AND ORIENTATIONS OF CONNECTING PIPES.
- ECCENTRIC CONES SHALL BE USED ON DIAMETERS 60 INCH AND LARGER. STEPS SHALL EXTEND DOWN VERTICAL WALL OF CONE.
- PRIOR TO FABRICATION, SHOP DRAWINGS SHALL BE SUBMITTED TO THE DISTRICT FOR APPROVAL OF MANHOLES ON PIPE DIAMETERS LARGER THAN 24 INCH AND ALSO FOR THOSE STRUCTURES WITH A DROP PIPE CONNECTION.

<b>PRECAST CONCRETE MANHOLE</b>	<b>METROPOLITAN ST. LOUIS SEWER DISTRICT Standard Details of Sewer Construction</b>		
	Dr. W.S.H./SAM Ch. J.C.K.	2009	SHEET 21 (REV)