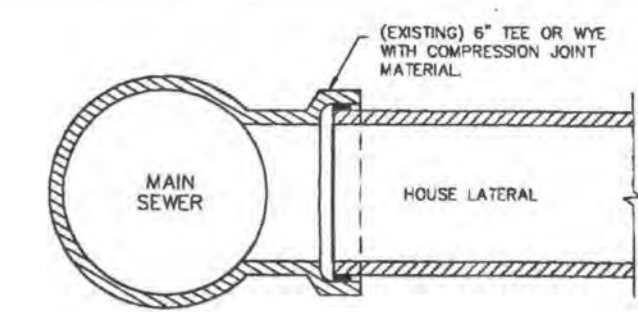


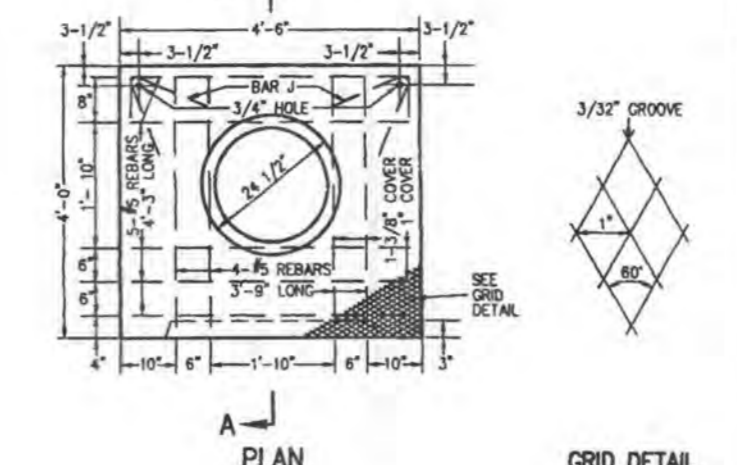
CONSTRUCTION DETAILS



HOUSE CONNECTION

- NOTES:
- 1) 6" V.C.P. WITH COMPRESSION JOINT. (SHOWN)
 - 2) 6" V.C.P. WITH COMPRESSION JOINT. USE SEWER-TITE AND OAKUM.
 - 3) 4" HOUSE CONNECTION IS APPROVED. A 4" TO 6" INCREASER IS REQUIRED.
 - 4) IF 6" P.V.C. IS USED A PERIOD ADAPTOR OR SEWER-TITE AND OAKUM MAY BE USED TO MAKE THE JOINT.
 - 5) A CLEAN, DRY BEDDING MATERIAL IS REQUIRED AROUND THE COMPLETED CONNECTION BEFORE BACKFILLING. THE BEDDING MATERIAL SHALL BE ONE OF THE FOLLOWING:
 - A. 4" A.S.D. NO. 1 BEDDING.
 - B. 1 TO 3 SAND TO CEMENT MORTAR MIX.
 - C. "PRE-MIX" CONCRETE.

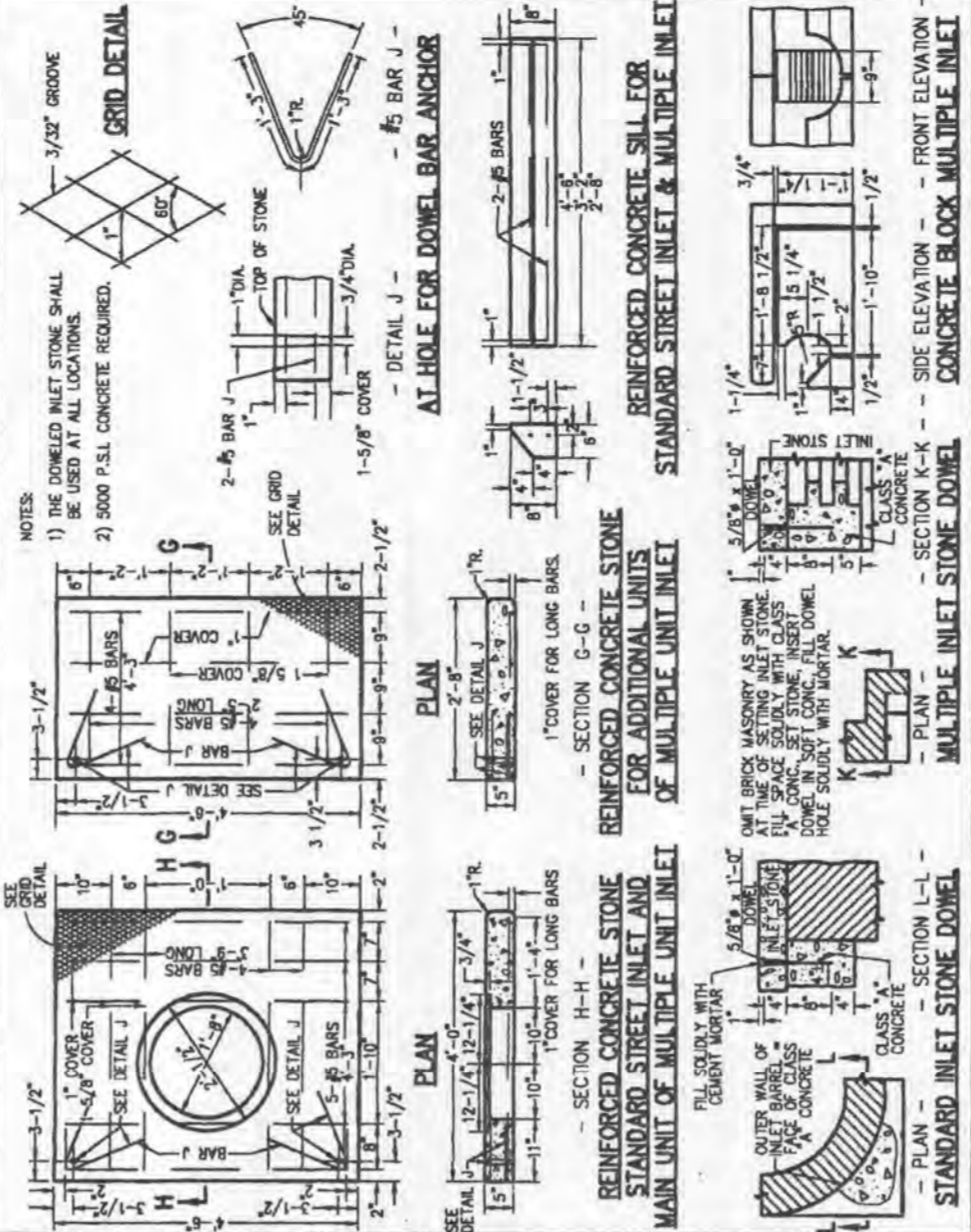
HOUSE CONNECTION TO EXISTING TEE OR WYE	METROPOLITAN ST. LOUIS SEWER DISTRICT Standard Details of Sewer Construction
Dr. R.G.W./SAM Ch. J.C.K.	2000 SHEET 63



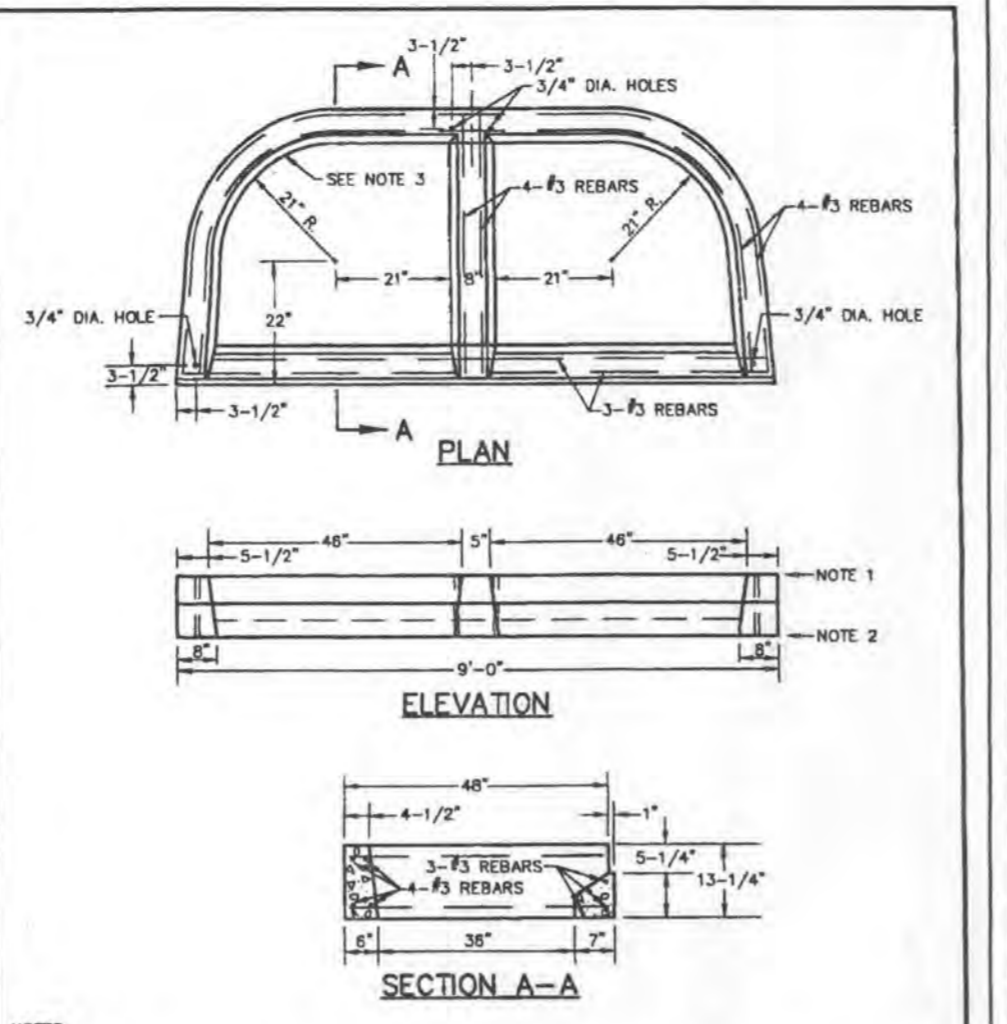
HEAVY DUTY 8 INCH INLET STONE (ALTERNATE)

- NOTE:
- FOR SPECIAL USE WHEN APPROVED IN TRUCK TRAFFIC AREA.

HEAVY DUTY 8 INCH INLET STONE (ALTERNATE)	METROPOLITAN ST. LOUIS SEWER DISTRICT Standard Details of Sewer Construction
Dr. S.A.M. Ch. P.W.S.	2000 SHEET 46

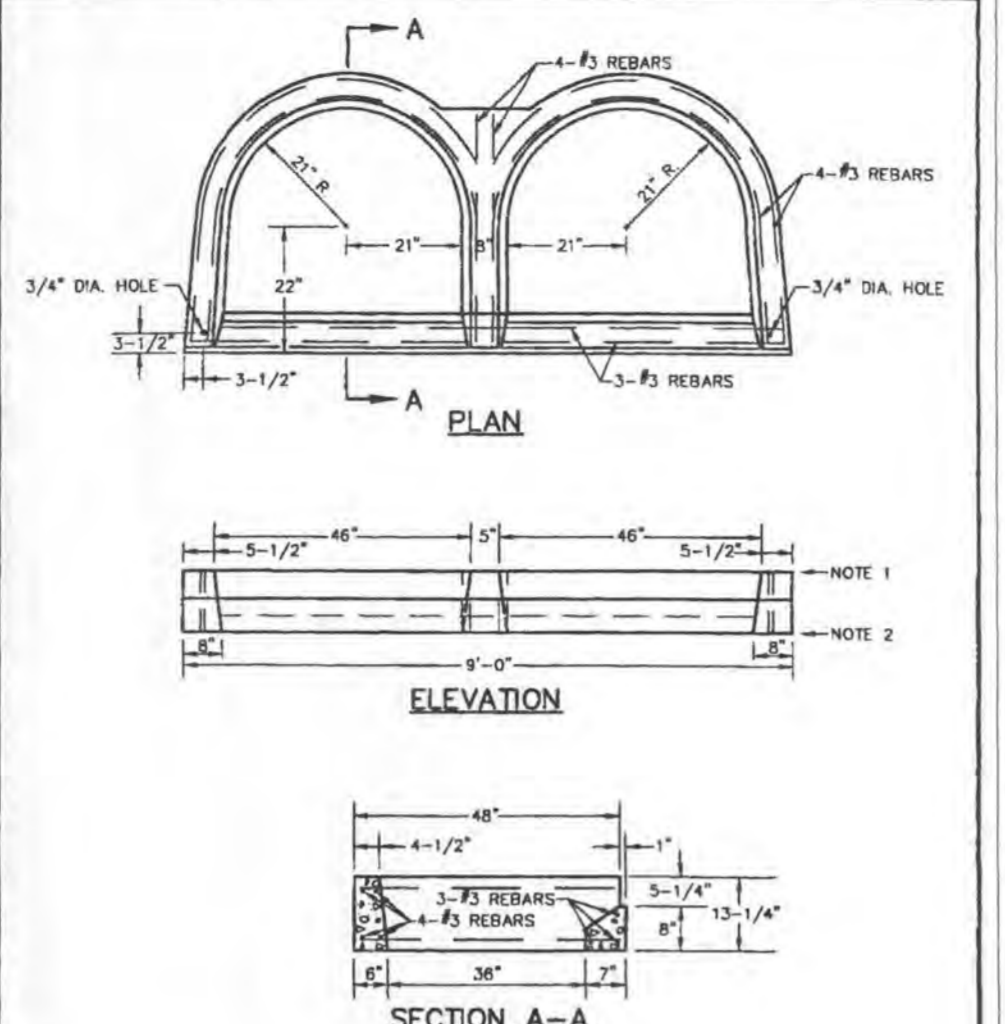


STANDARD INLET STONES, BLOCKS & DESIGN DETAILS	METROPOLITAN ST. LOUIS SEWER DISTRICT Standard Details of Sewer Construction
Dr. W.S.H./SAM Ch. J.C.K.	2000 SHEET 45



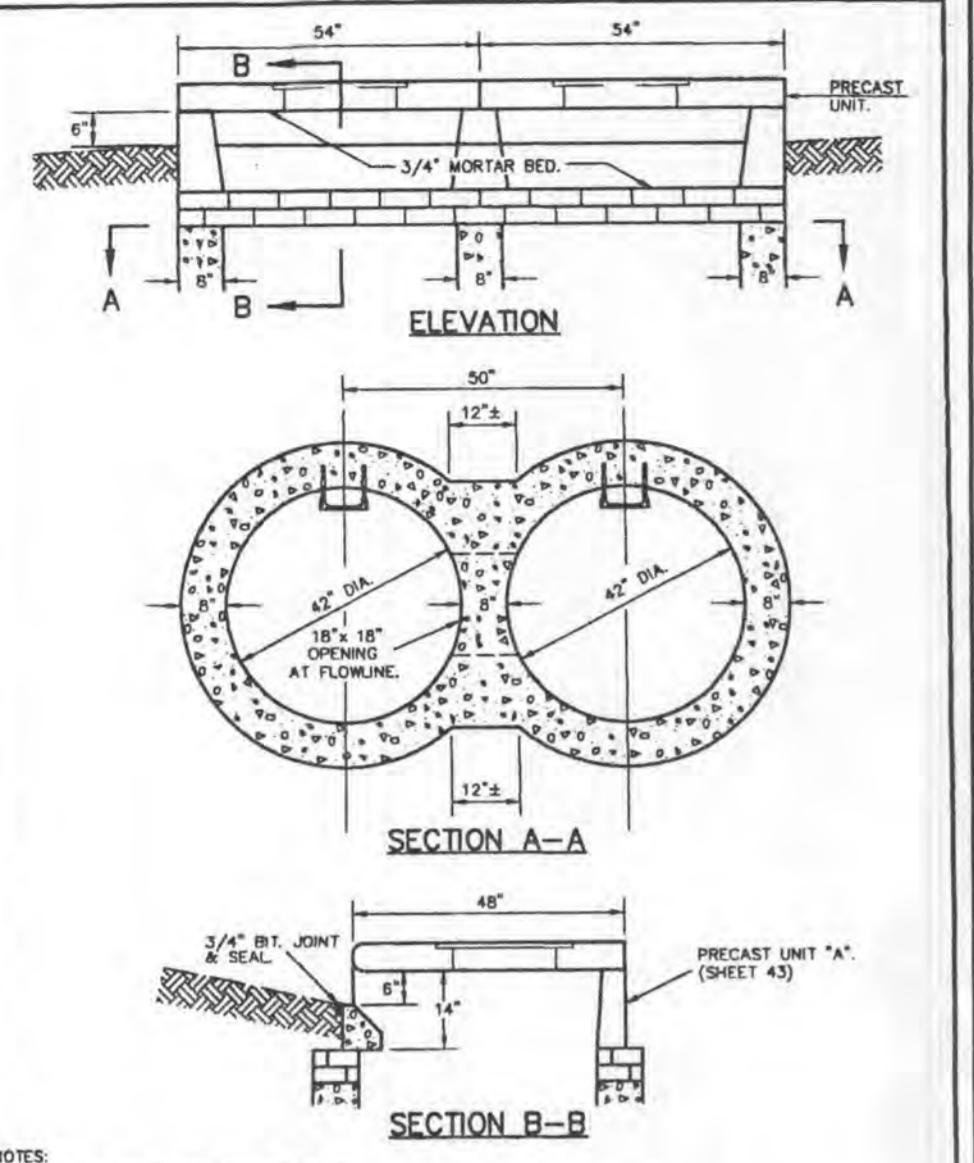
- NOTES:
- 1) SET TWO (2) STANDARD INLET STONES IN 3/4" MORTAR BED AND DOWEL WITH 5/8" DIA. 1'-0" LONG PINS AND GROUT.
 - 2) SET THE UNIT TO BASE WITH 3/4" MORTAR BED.
 - 3) THIS UNIT IS TO BE USED WITH POURED-IN-PLACE CONCRETE BASE.
 - 4) 5000 P.S.I. CONCRETE REQUIRED.
 - 5) 1 INCH CLEARANCE, ALL REINFORCEMENT.

PRECAST CONCRETE UNIT 'B' FOR STREET DOUBLE INLET	METROPOLITAN ST. LOUIS SEWER DISTRICT Standard Details of Sewer Construction
Dr. R.G.W./SAM Ch. J.C.K.	2000 SHEET 44

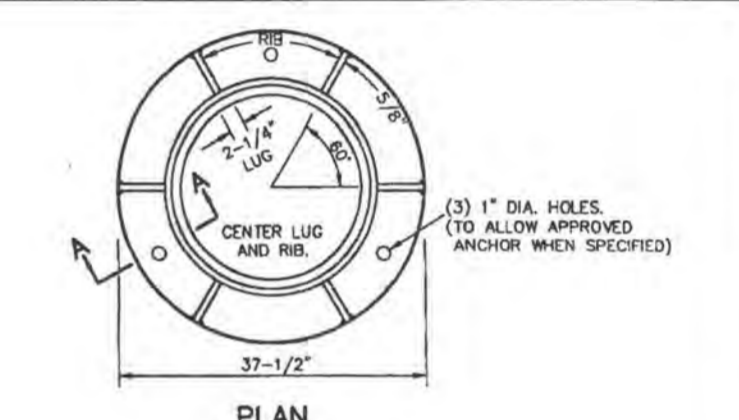


- NOTES:
- 1) STANDARD DEPTH 3" PIPE DIAMETER.
 - 2) RAISE TO FINAL GRADE WITH COURSES OF BRICK AND 3/4" MORTAR BED.

PRECAST CONCRETE UNIT 'A' FOR STREET DOUBLE INLET	METROPOLITAN ST. LOUIS SEWER DISTRICT Standard Details of Sewer Construction
Dr. R.G.W./SAM Ch. J.C.K.	2000 SHEET 43

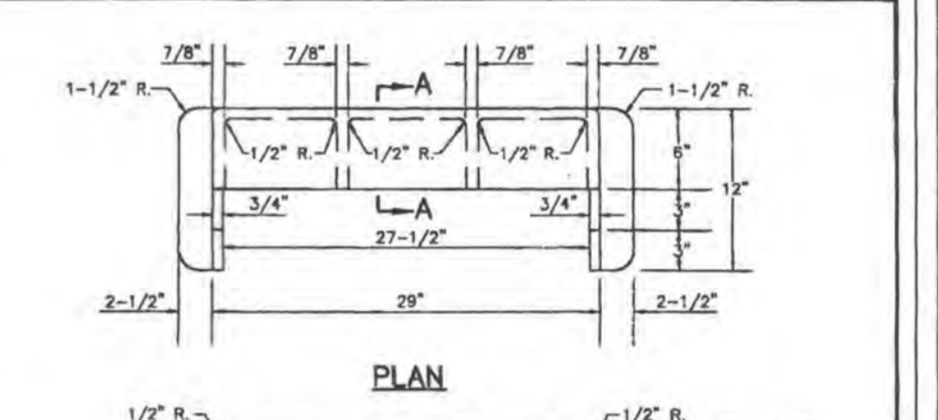


CONCRETE DOUBLE STREET INLET WITH PRECAST CONCRETE UNIT 'A'	METROPOLITAN ST. LOUIS SEWER DISTRICT Standard Details of Sewer Construction
Dr. R.G.W./SAM Ch. J.C.K.	2000 SHEET 42



CAST IRON MANHOLE FRAME

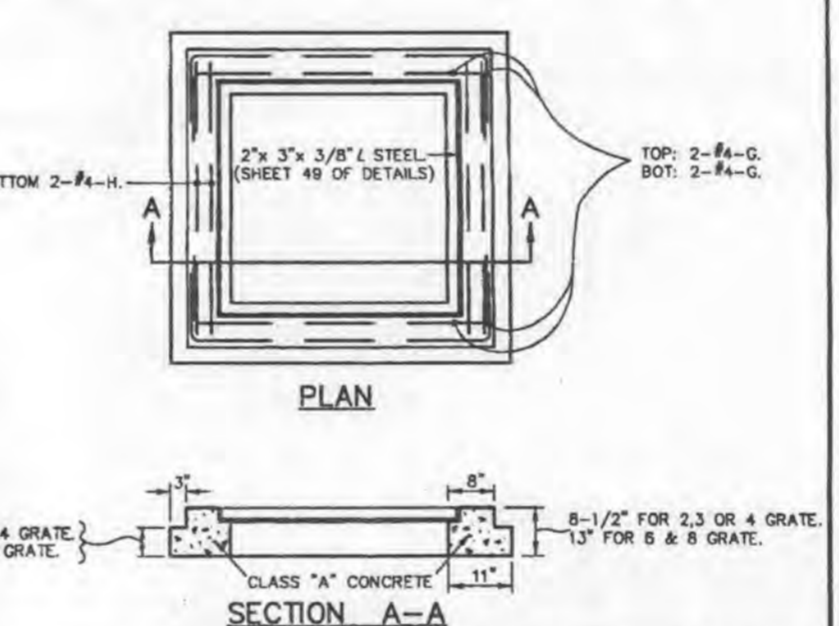
CAST IRON MANHOLE FRAME	METROPOLITAN ST. LOUIS SEWER DISTRICT Standard Details of Sewer Construction
Dr. D.A.B./SAM Ch. J.C.K.	2000 SHEET 52



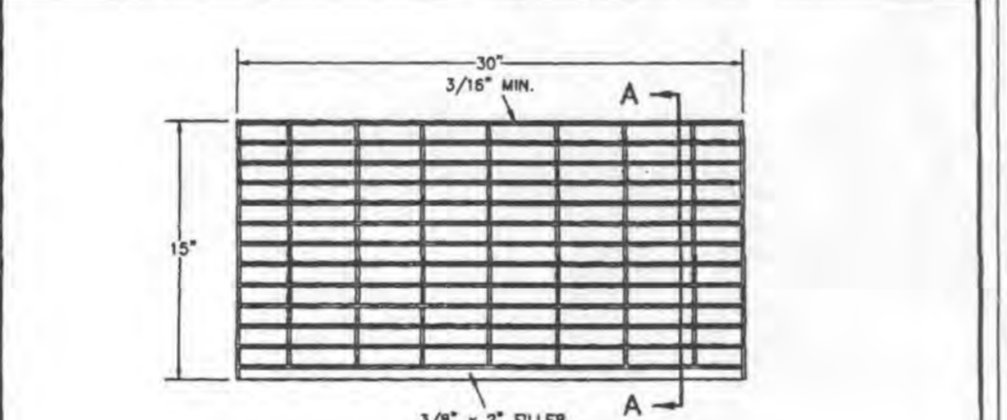
CAST IRON SIDE INTAKE UNIT FOR GRATED INLETS 249 LBS.

CAST IRON SIDE INTAKE UNIT FOR GRATED INLETS 249 LBS.	METROPOLITAN ST. LOUIS SEWER DISTRICT Standard Details of Sewer Construction
Dr. R.G.W./SAM Ch. J.C.K.	2000 SHEET 51

CALL	USE	o	STRAIGHT BARS
G-1	2, 3, OR 4 GRATE	3'-4"	
G-2	6 & 8 GRATE	5'-10"	
H-2	2 GRATE	3'-6"	
H-3	3 & 6 GRATE	4'-9"	
H-4	4 & 8 GRATE	6'-0"	

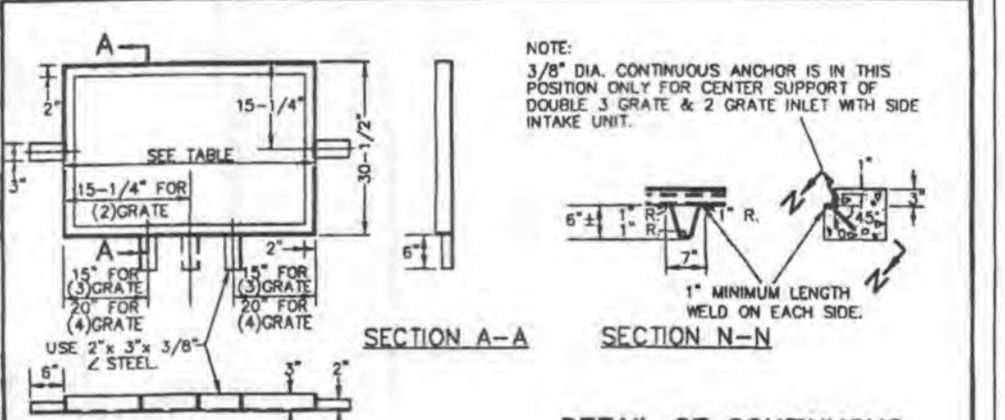


STEEL REQUIREMENTS FOR GRATE INLET SEAT	METROPOLITAN ST. LOUIS SEWER DISTRICT Standard Details of Sewer Construction
Dr. W.S.H./SAM Ch. J.C.K.	2000 SHEET 50



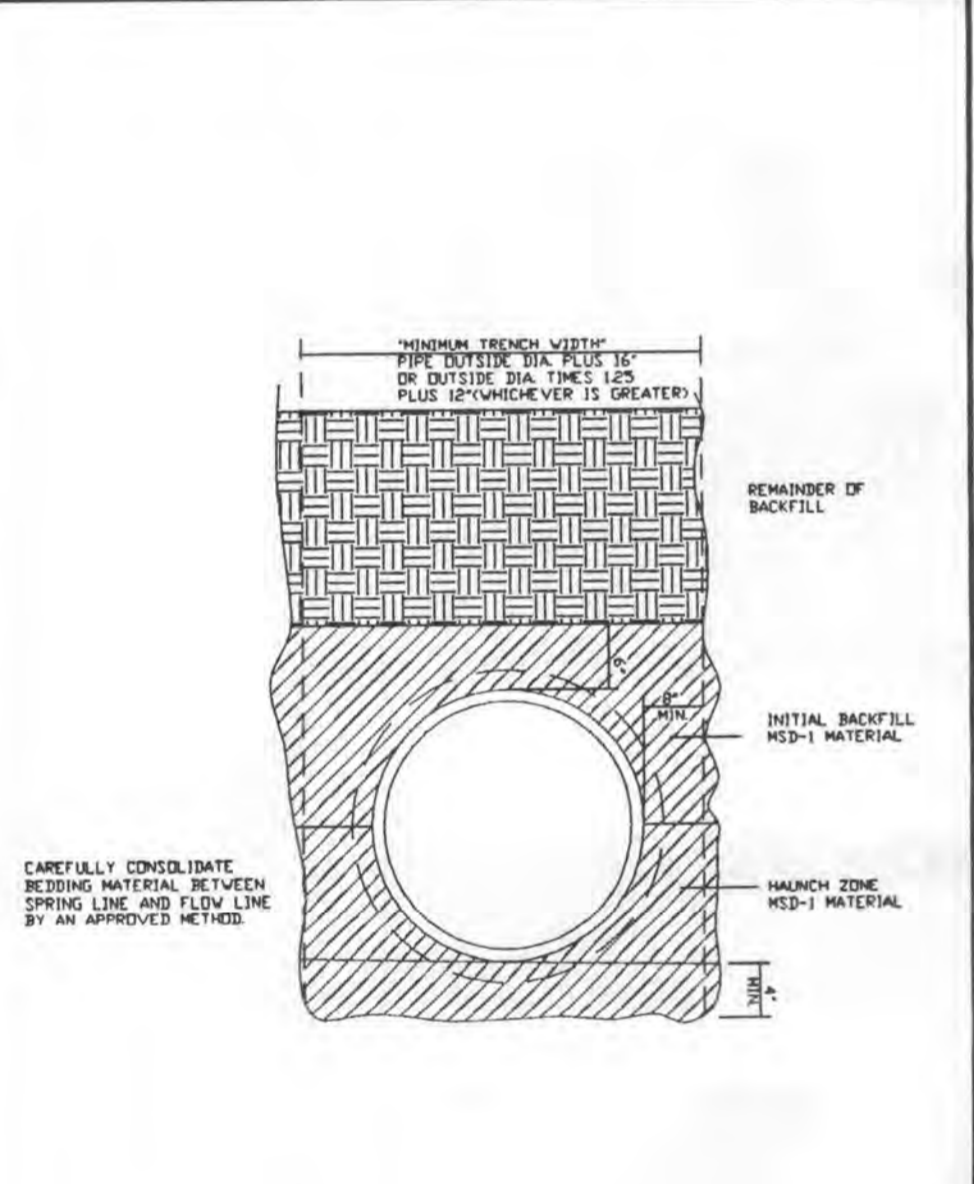
DETAIL OF STEEL GRATE

DETAIL OF STEEL GRATE	METROPOLITAN ST. LOUIS SEWER DISTRICT Standard Details of Sewer Construction
Dr. R.G.W./SAM Ch. J.C.K.	2000 SHEET 49

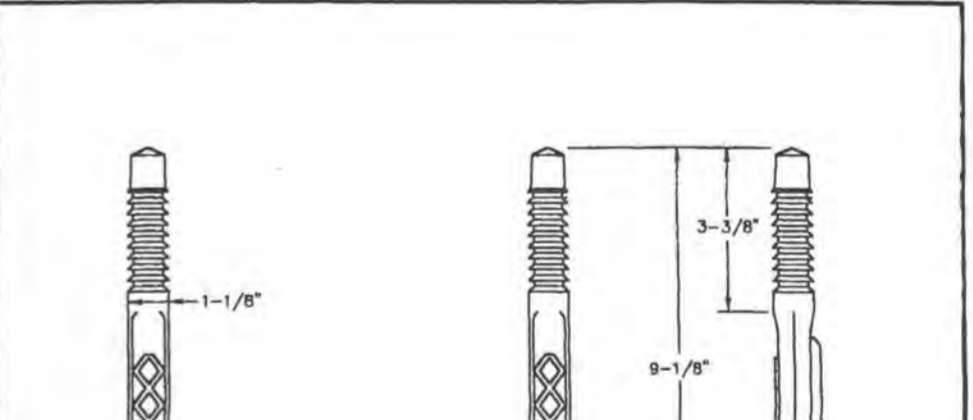


DETAILS OF INLET FRAME AND GRATES

DETAILS OF INLET FRAME AND GRATES	METROPOLITAN ST. LOUIS SEWER DISTRICT Standard Details of Sewer Construction
Dr. R.G.W./SAM Ch. J.C.K.	2000 SHEET 48

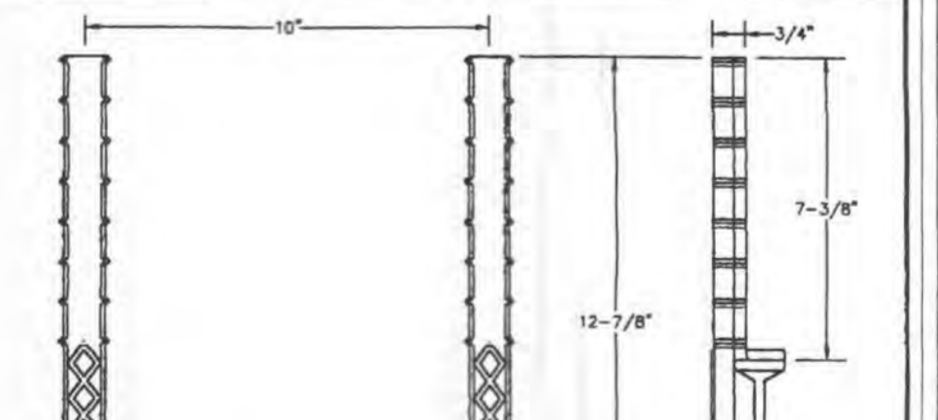


SPECIAL PIPE BEDDING DETAIL FOR H.D.P.E. PIPE	METROPOLITAN ST. LOUIS SEWER DISTRICT Standard Details of Sewer Construction
Dr. R.G.W./SAM Ch. J.C.K.	2000 SHEET 47



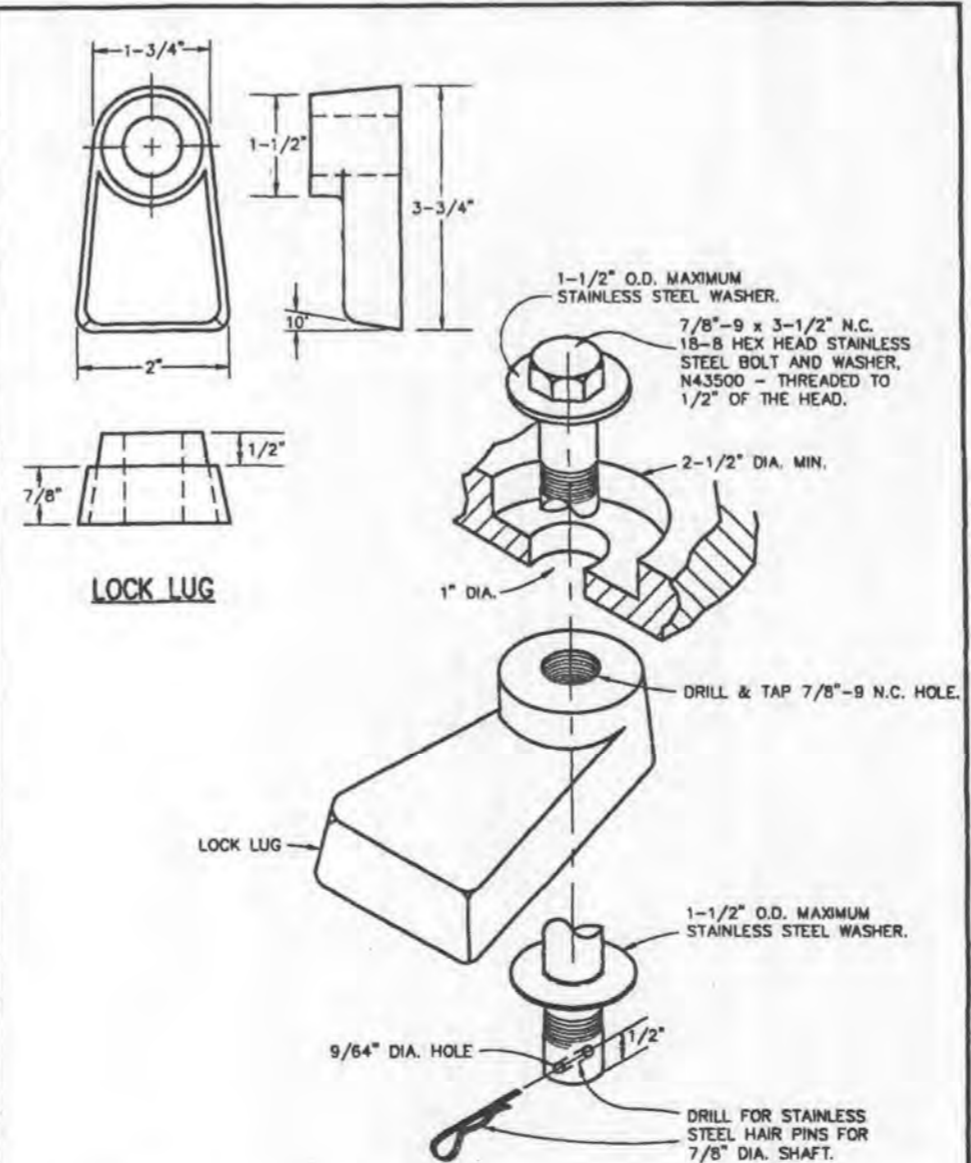
MANHOLE STEP FOR PRECAST & CAST-IN-PLACE MANHOLE

MANHOLE STEP FOR PRECAST & CAST-IN-PLACE MANHOLE	METROPOLITAN ST. LOUIS SEWER DISTRICT Standard Details of Sewer Construction
Dr. D.A.B. Ch. J.C.K.	2000 SHEET 54

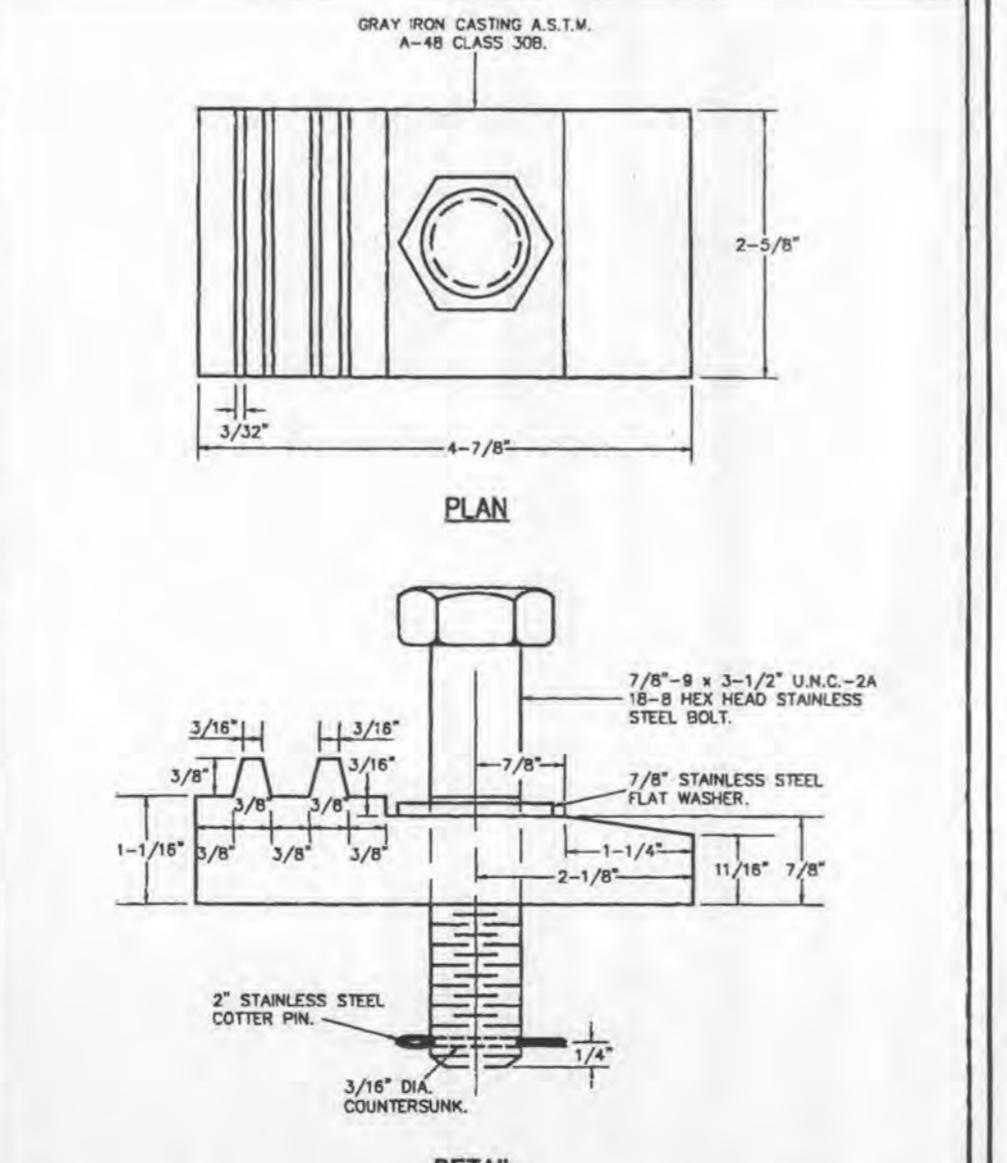


PSI-B MANHOLE STEP INTO JOINT

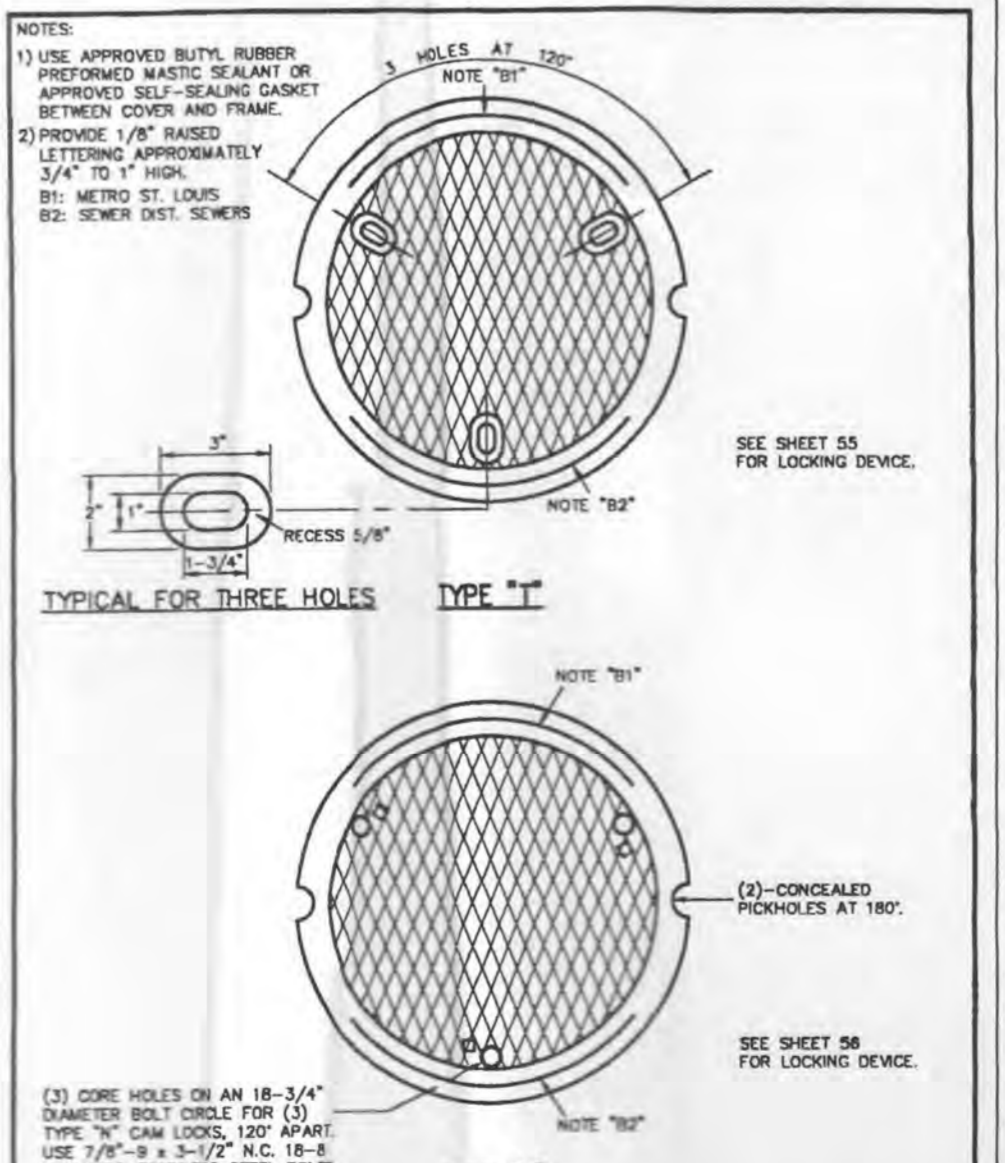
PSI-B MANHOLE STEP INTO JOINT	METROPOLITAN ST. LOUIS SEWER DISTRICT Standard Details of Sewer Construction
Dr. W.S.H. Ch. J.C.K.	2000 SHEET 57



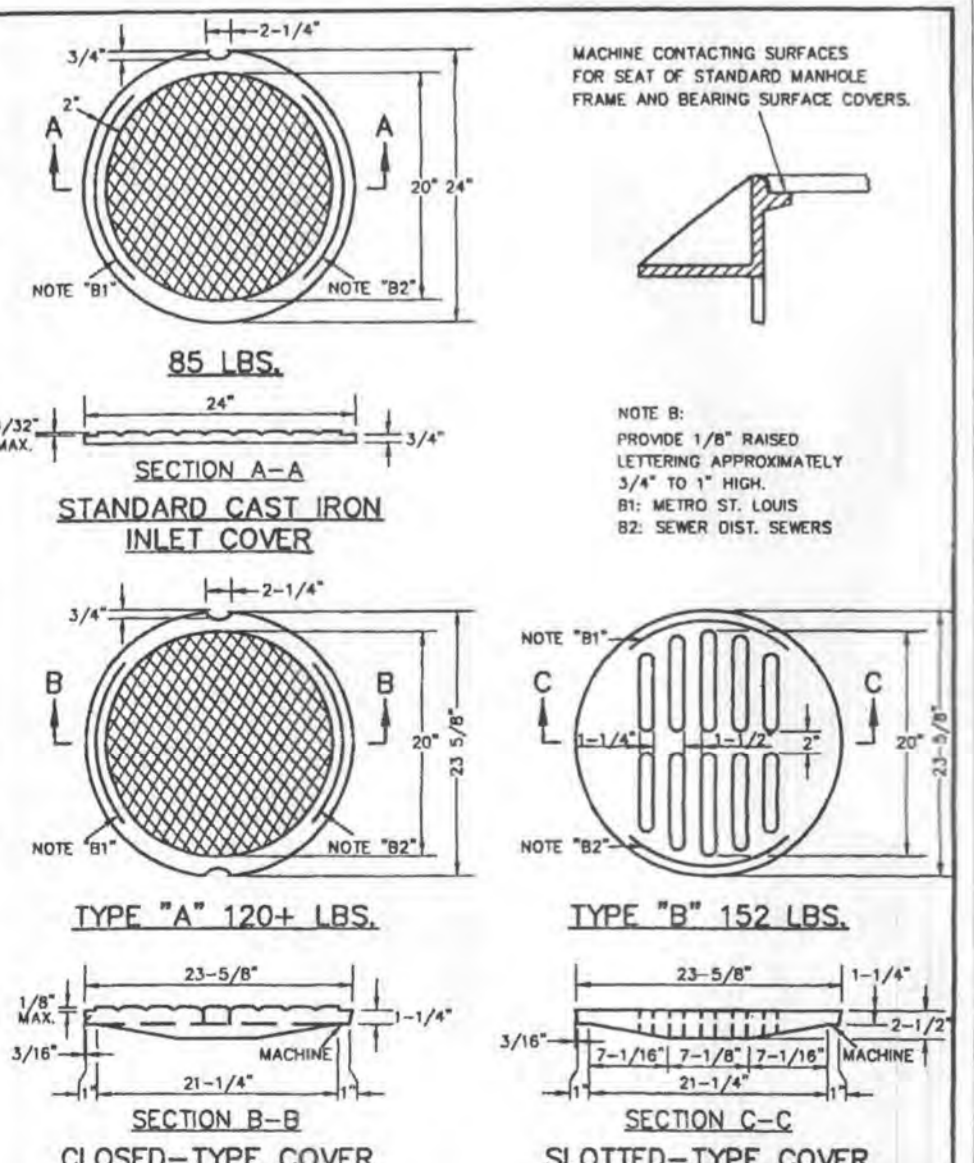
LOCKING DEVICE FOR TYPE 'N' LOCK TYPE MANHOLE COVER	METROPOLITAN ST. LOUIS SEWER DISTRICT Standard Details of Sewer Construction
Dr. J.G./SAM Ch. J.C.K.	2000 SHEET 56



LOCKING DEVICE FOR TYPE 'T' LOCK TYPE MANHOLE COVER	METROPOLITAN ST. LOUIS SEWER DISTRICT Standard Details of Sewer Construction
Dr. R.G.W./SAM Ch. J.C.K.	2000 SHEET 55



CAST IRON MANHOLE COVERS (LOCK TYPE)	METROPOLITAN ST. LOUIS SEWER DISTRICT Standard Details of Sewer Construction
Dr. W.S.H./SAM Ch. J.C.K.	2000 SHEET 54



CAST IRON COVERS MANHOLES AND INLETS	METROPOLITAN ST. LOUIS SEWER DISTRICT Standard Details of Sewer Construction
Dr. R.G.W./SAM Ch. J.C.K.	2000 SHEET 53