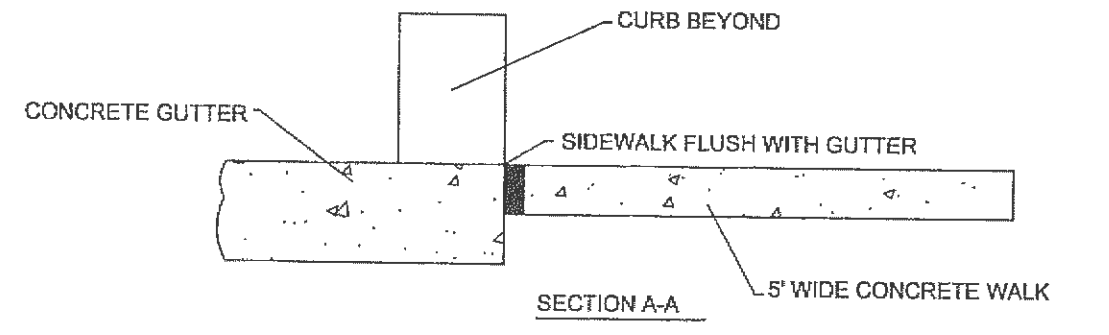
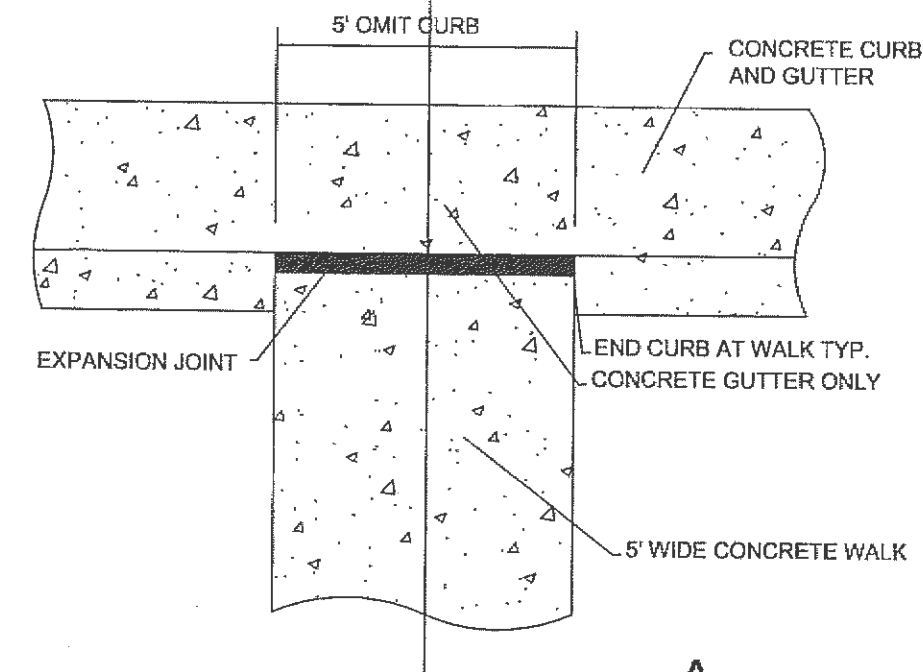


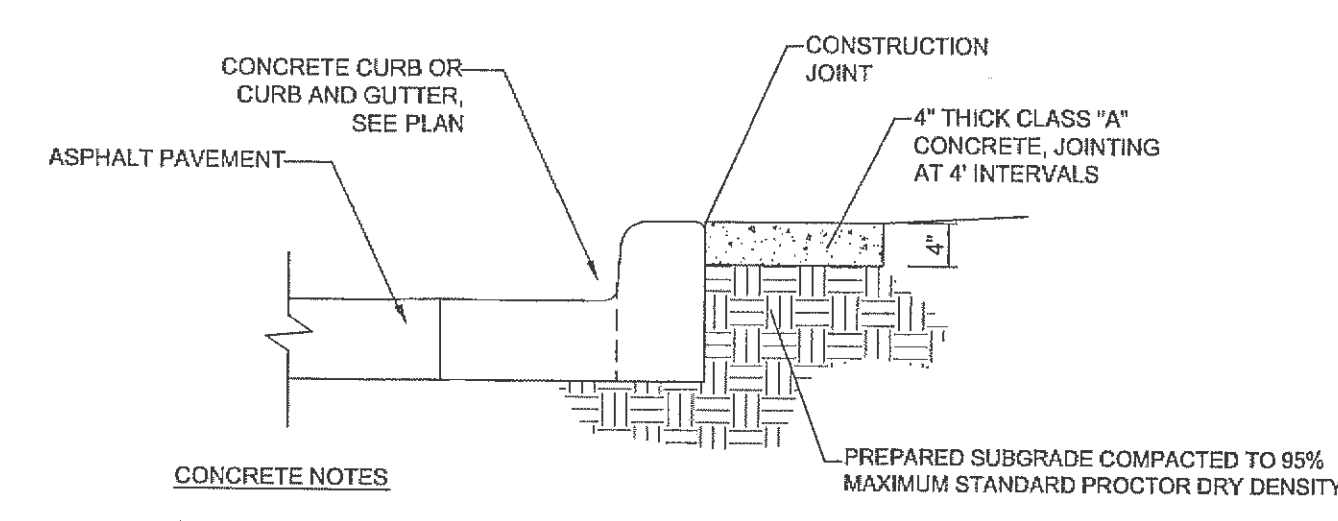
BUILDING SIDEWALK CONTROL AND EXPANSION JOINT DETAILS



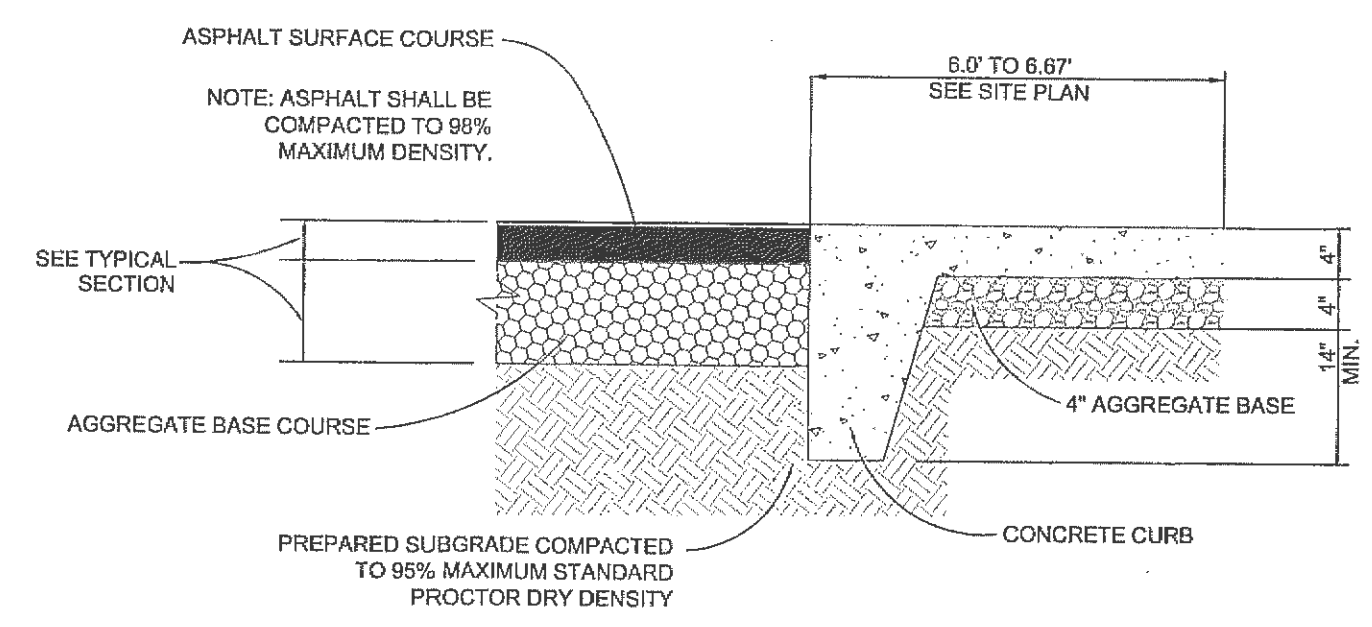
SECTION A-A
5' WIDE CONCRETE WALK



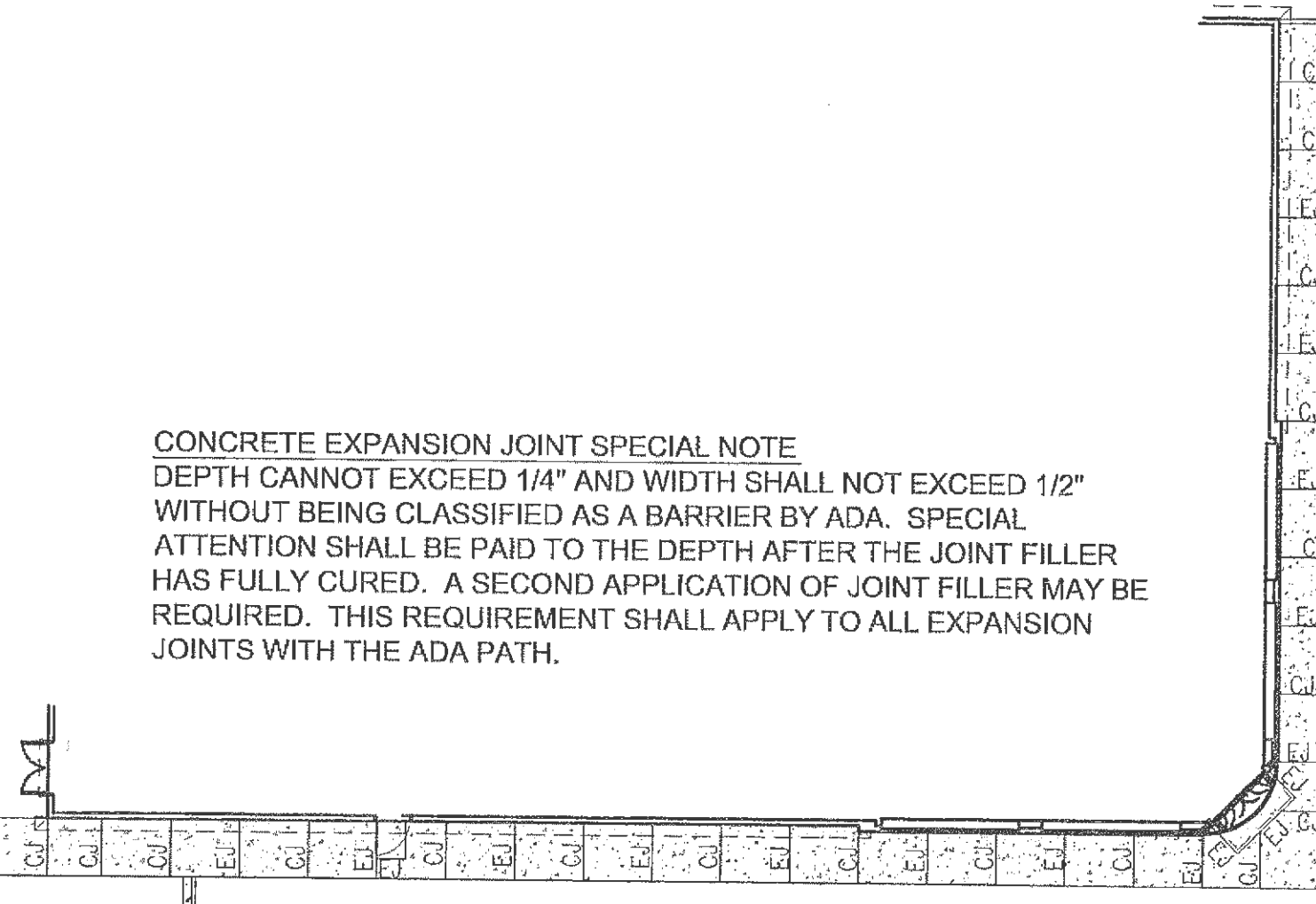
DETAIL OF PEDESTRIAN ACCESS THROUGH CURB
N.T.S.



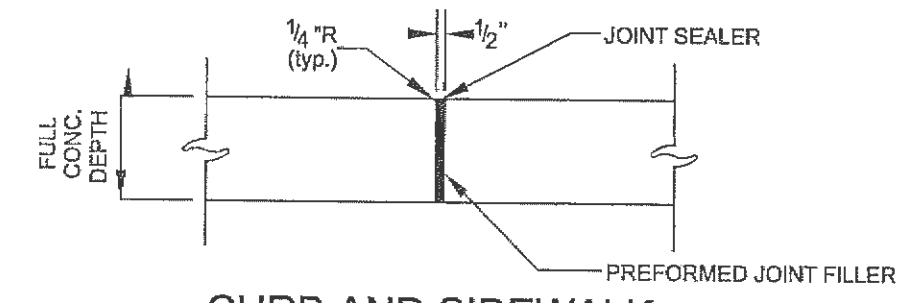
CONCRETE NOTES
1. AIR CONTENT TO BE 5% TO 7%
2. COMPRESSIVE STRENGTH=4,000 P.S.I. @ 28 DAYS
3. MAXIMUM SLUMP SHALL BE 4"
1.0' WIDE CONCRETE STRIP AT LANDSCAPE ISLANDS
N.T.S.



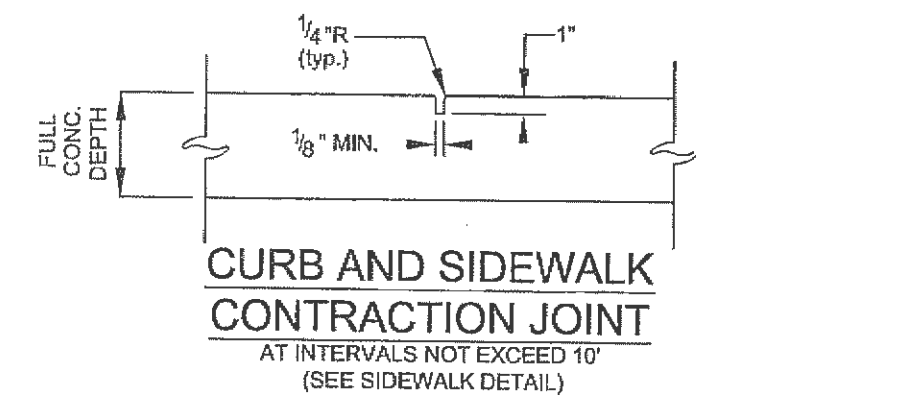
THICKENED EDGE AT SIDEWALK
N.T.S.



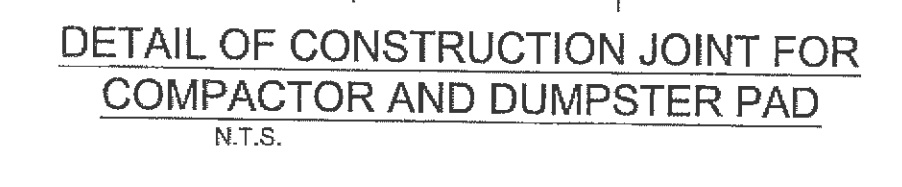
BUILDING SIDEWALK JOINT PATTERN AND SPACING DETAIL
1" = 20'



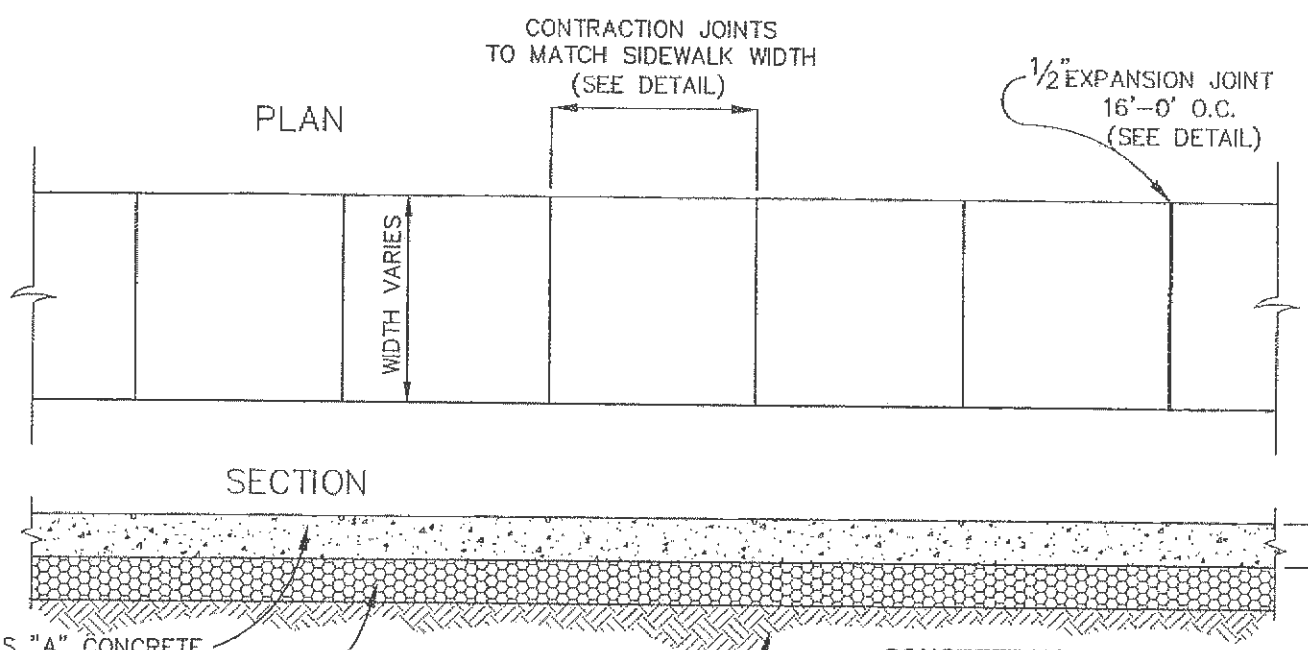
CURB AND SIDEWALK EXPANSION JOINT
AT P.T. & P.C. POINTS OF ROUNDINGS AND AT INTERVALS NOT EXCEED 30'
(SEE SIDEWALK DETAIL)



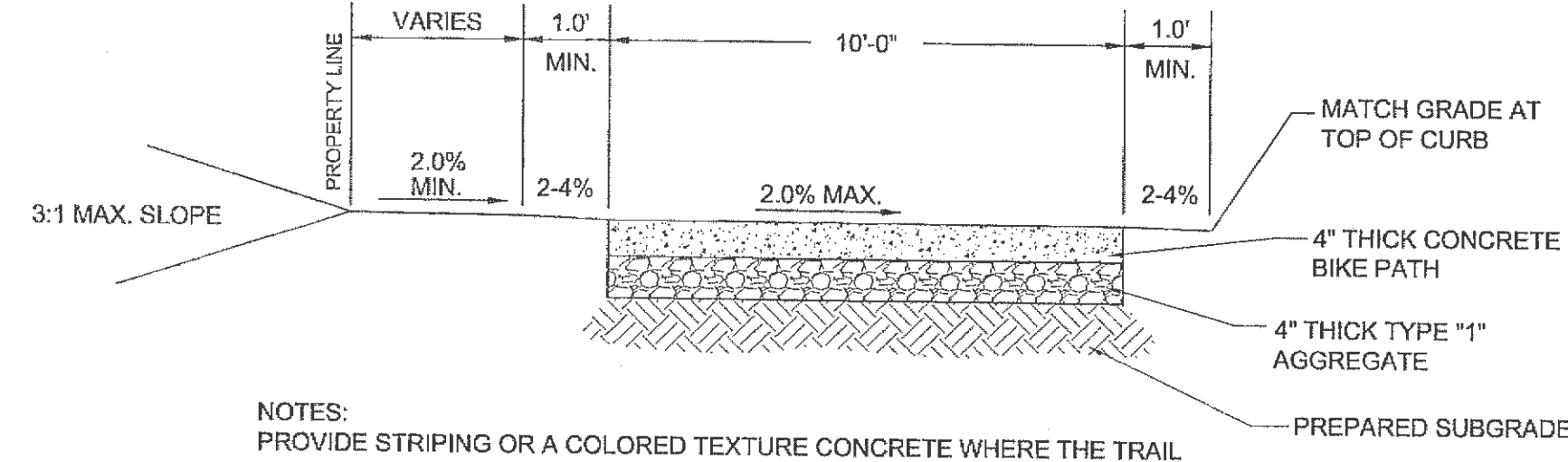
CURB AND SIDEWALK CONTRACTION JOINT
AT INTERVALS NOT EXCEED 10'
(SEE SIDEWALK DETAIL)



DETAIL OF CONSTRUCTION JOINT FOR COMPACTOR AND DUMPSTER PAD
N.T.S.

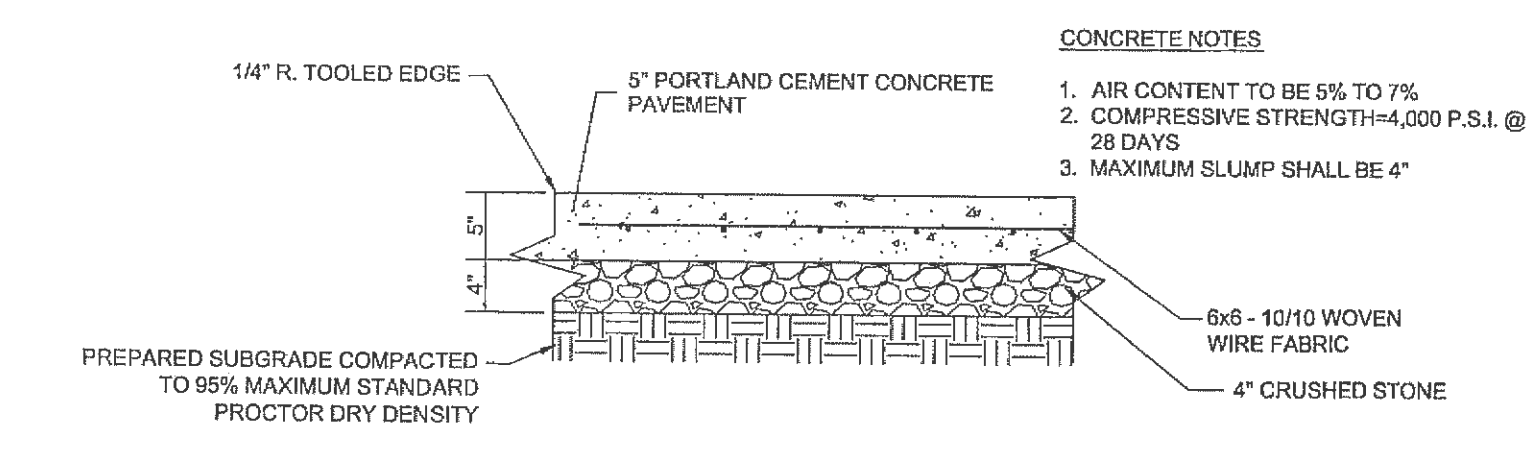


CONCRETE SIDEWALK DETAIL
N.T.S.
(NOT TO BE USED FOR BUILDING SIDEWALK)

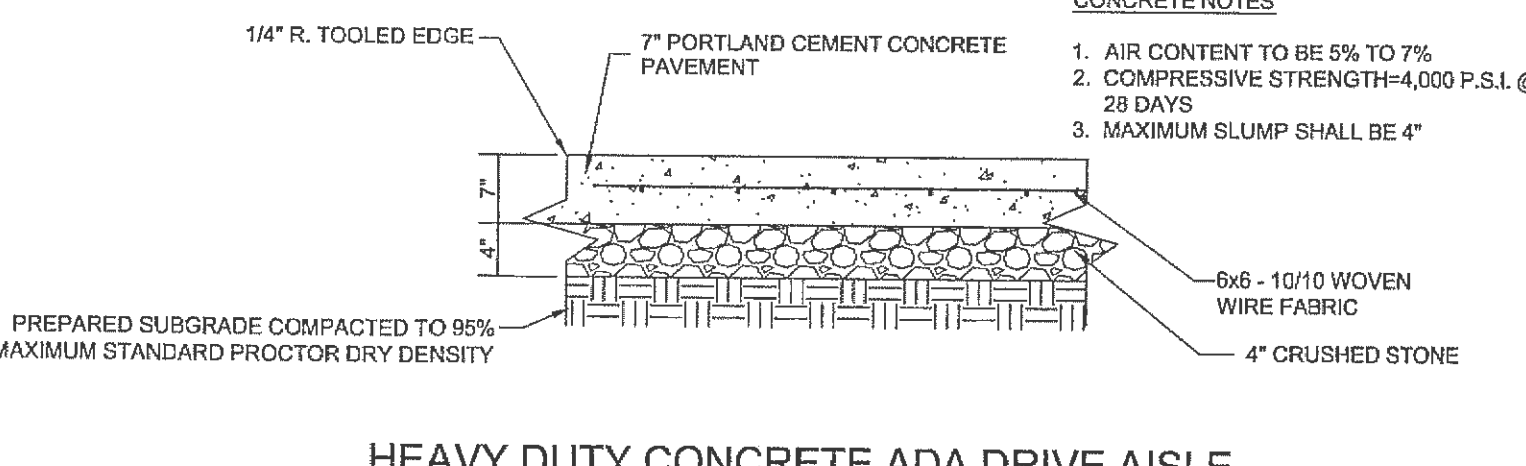


NOTES:
PROVIDE STRIPING OR A COLORED TEXTURE CONCRETE WHERE THE TRAIL INTERSECTS WITH ACCESS DRIVES INTO THE DEVELOPMENT.
MAXIMUM SLOPE OF THE PATH SHALL NOT EXCEED 8% AND 2% CROSS SLOPE PER CITY OF O'FALLON SPECIFICATIONS.
THE TRAIL SHALL BE CONSTRUCTED WITH A CONSISTENT SLOPE WITH VERTICAL CURVES A MINIMUM OF 50' IN LENGTH.
PROVIDE CONTRACTION JOINTS AT 10' INTERVALS AND EXPANSION JOINTS AT 30' INTERVALS. SEAL ALL EXPANSION JOINTS.

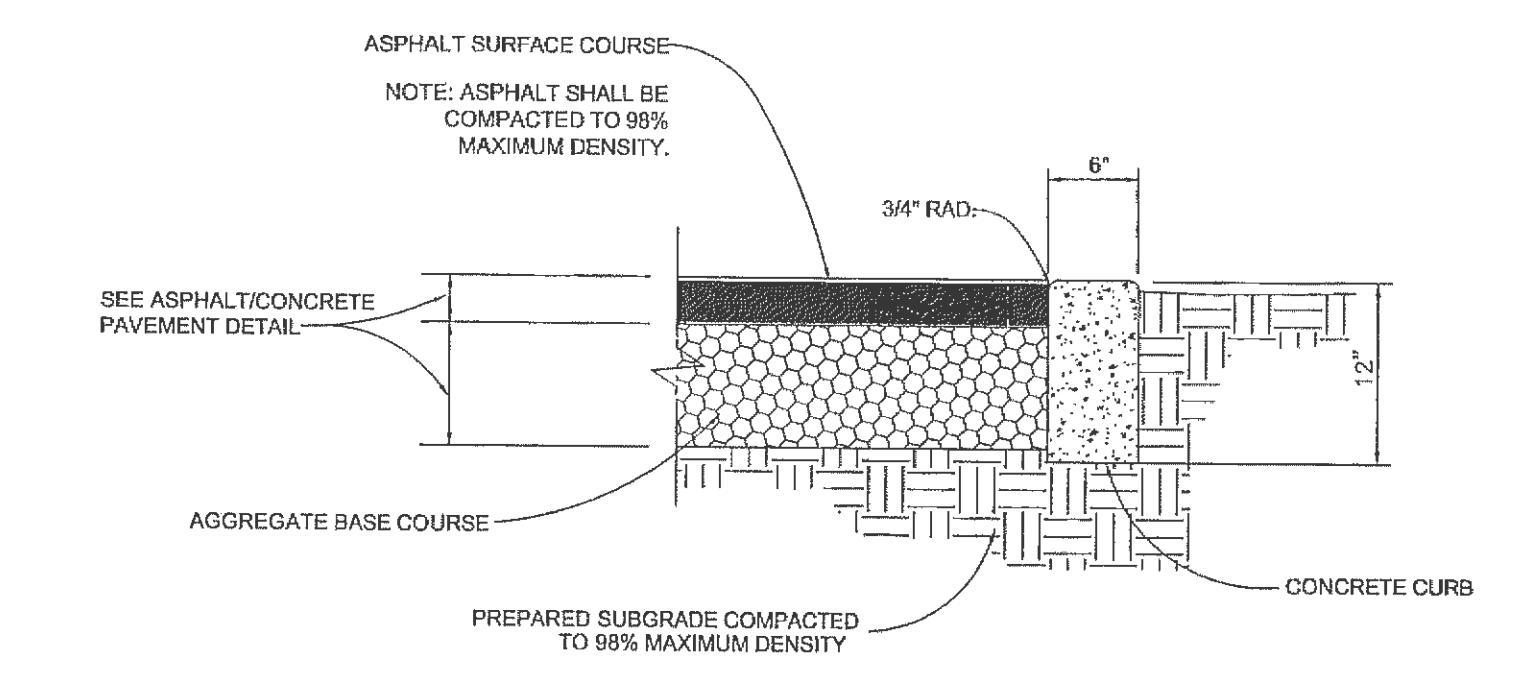
MULTI-USE TRAIL DETAIL
N.T.S.



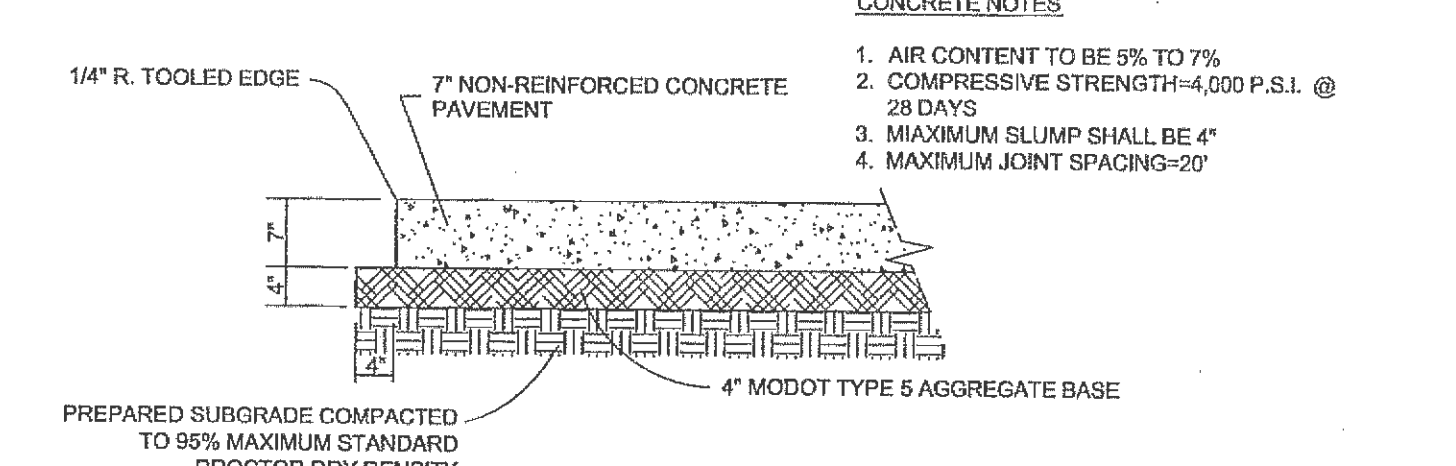
LIGHT DUTY ADA AISLE ACCESSIBLE PAVEMENT DETAIL AT PARKING SPACES
N.T.S.



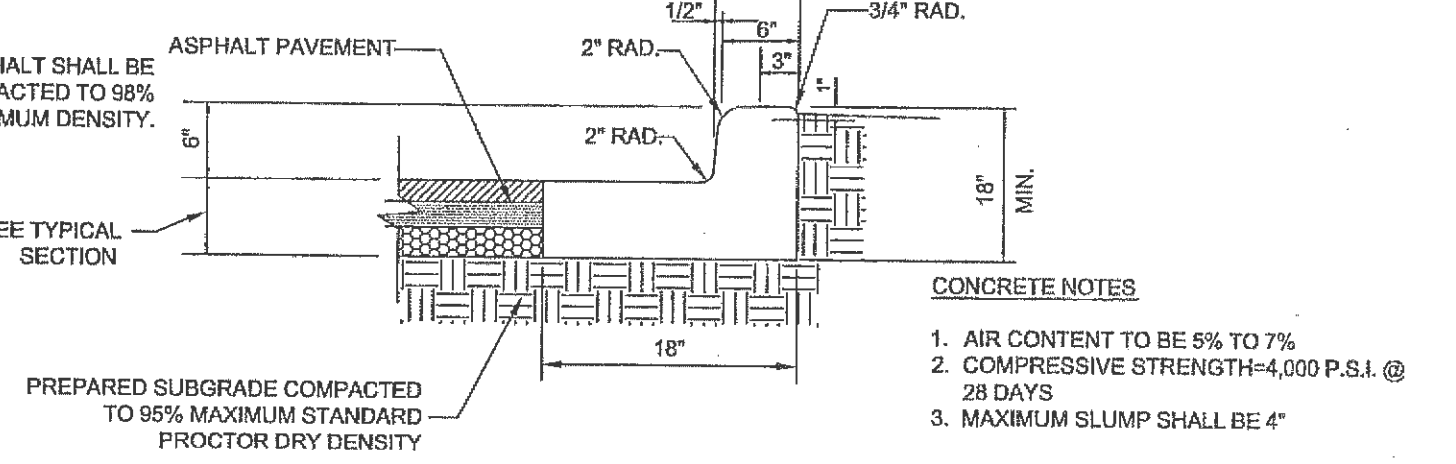
HEAVY DUTY CONCRETE ADA DRIVE AISLE PAVEMENT DETAIL AT DRIVING LANE
N.T.S.
PROVIDE CONTRACTION JOINTS AT 12' MAX. SPACING, PROVIDE EXPANSION JOINTS AT 30' MAX. SPACING. SEAL ALL EXPANSION JOINTS.



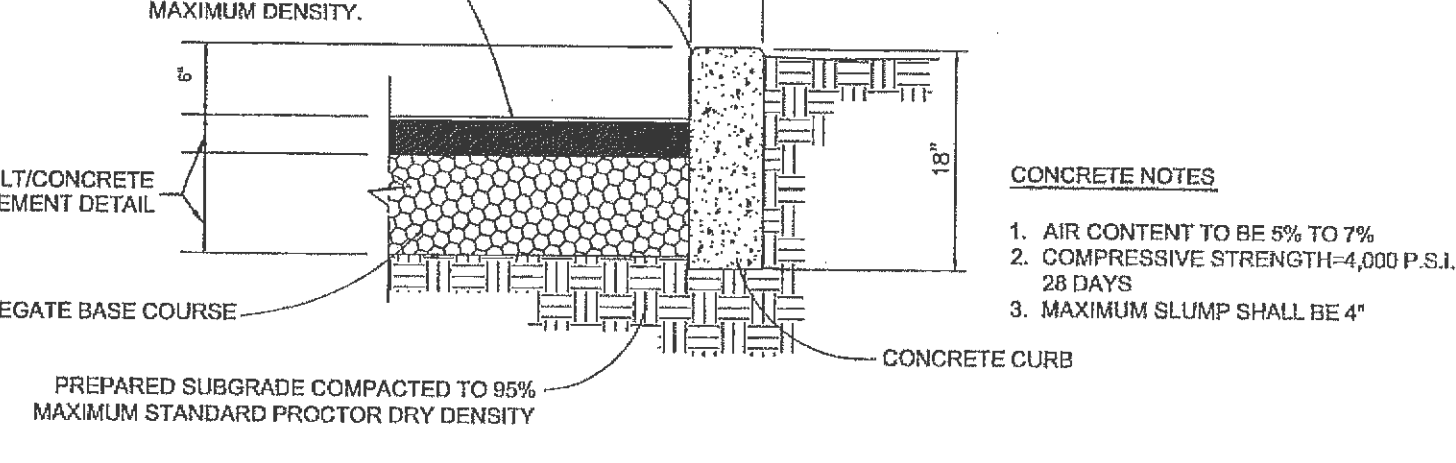
CONCRETE EDGE RESTRAINT
N.T.S.



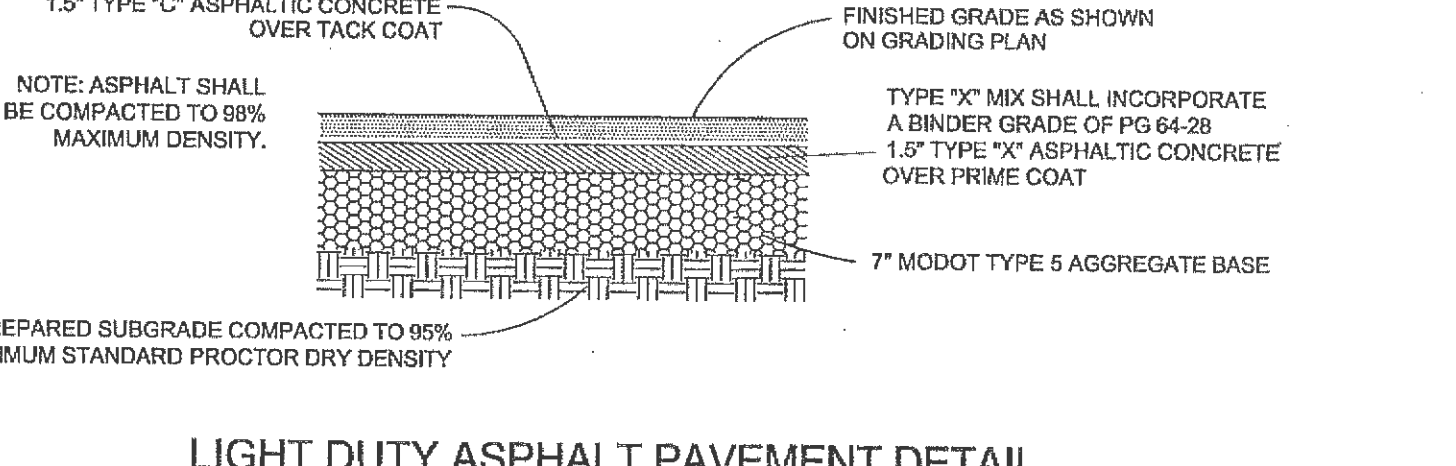
COMPACTOR AND DUMPSTER PAD CONCRETE PAVEMENT DETAIL
N.T.S.



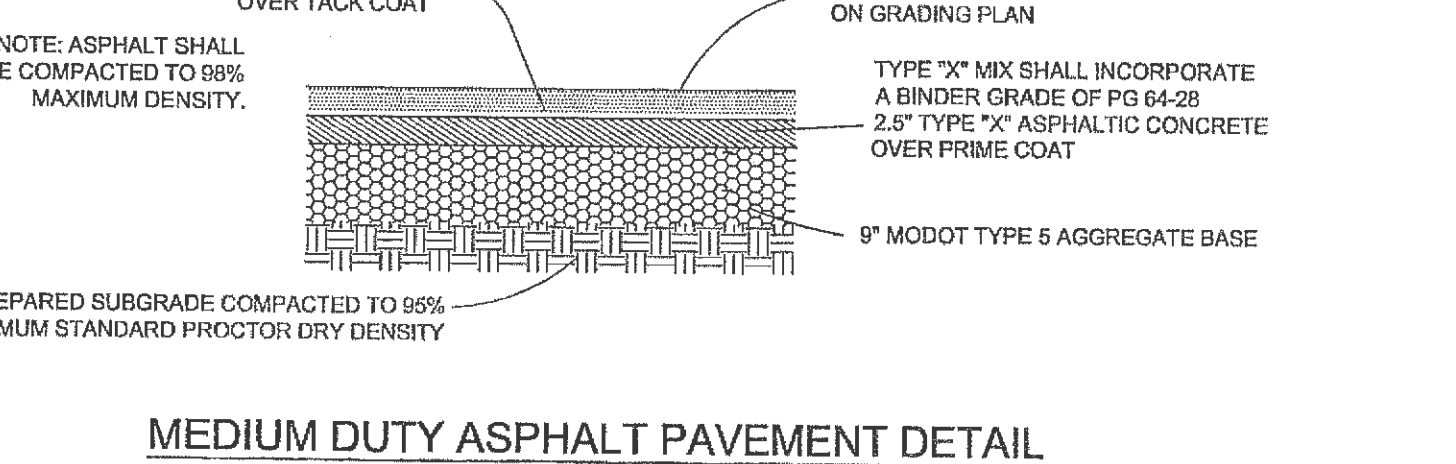
1.5' CONCRETE CURB & GUTTER
N.T.S.



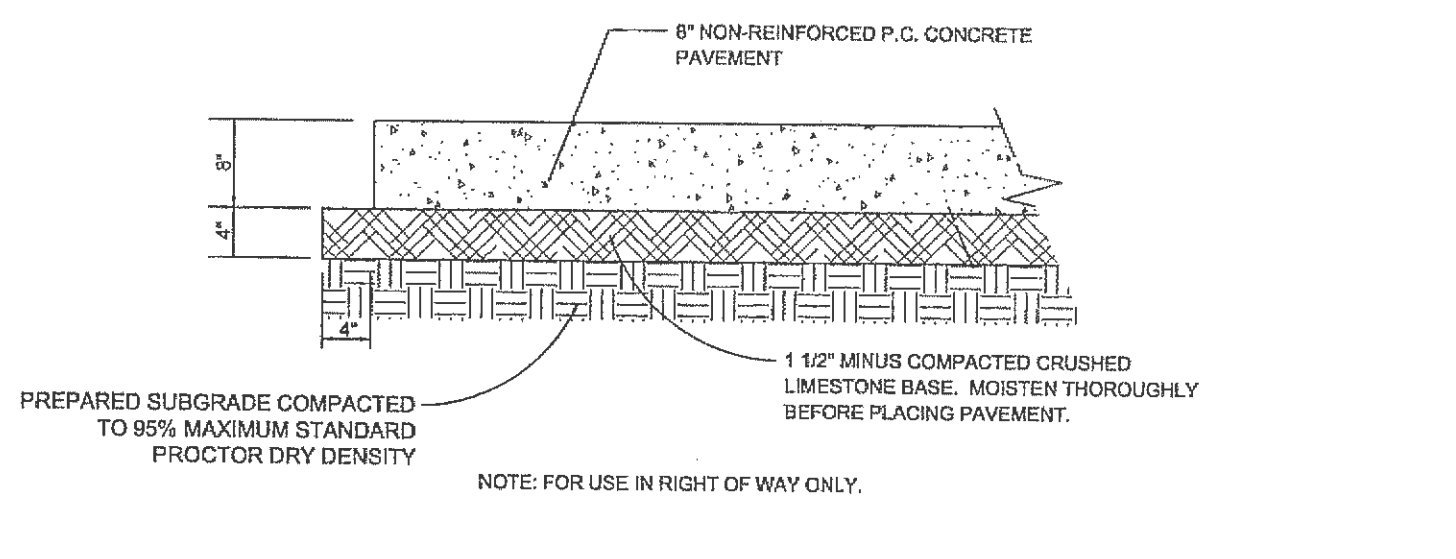
6" VERTICAL CONCRETE CURB
N.T.S.



LIGHT DUTY ASPHALT PAVEMENT DETAIL
N.T.S.



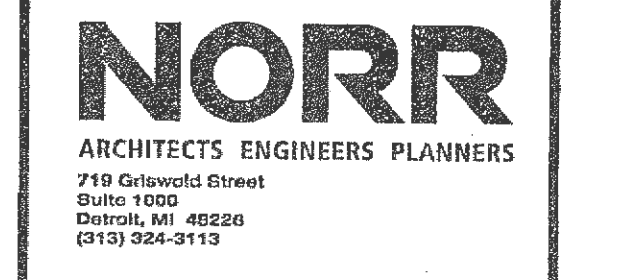
MEDIUM DUTY ASPHALT PAVEMENT DETAIL
N.T.S.



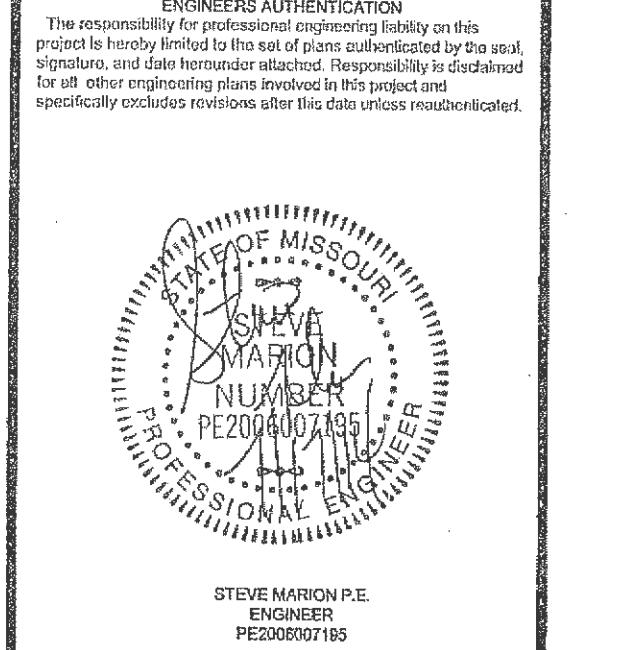
PROPOSED VETERAN'S MEMORIAL PARKWAY ENTRANCE CONCRETE PAVEMENT DETAIL
N.T.S.



PROJECT TITLE
NORTHERN 13,225-LEFT CHAMFER DRIVE-THRU
STORE NUMBER: 10134
SVC VETERAN'S MEMORIAL PARKWAY & HWY. K O'FALLON, MO
PROJECT TYPE NEW CONSTRUCTION
DEAL TYPE Fee for Service/Land/Type B
CS PROJECT NUMBER: 52332



PREMIER CIVIL ENGINEERING
308 TCV Court
Lake Saint Louis, MO 63367
Phone: (314) 925-7444 Fax: (314) 925-7457
Missouri Certificate of Authority # E-2011000034
Missouri Certificate of Authority # LS-201207849



Developer / Owner Information
T.M.
CROWLEY & ASSOCIATES
Pavement Details

P+Z No. 20-13
APPROVED 9-5-13
City No.
Sheet Number:
15
PCE PROJECT NO. 094201



NOTE
Underground utilities and structures have been plotted from available information and therefore, their location must be considered approximate only. It is the responsibility of the individual contractor to notify the utility companies before actual construction.