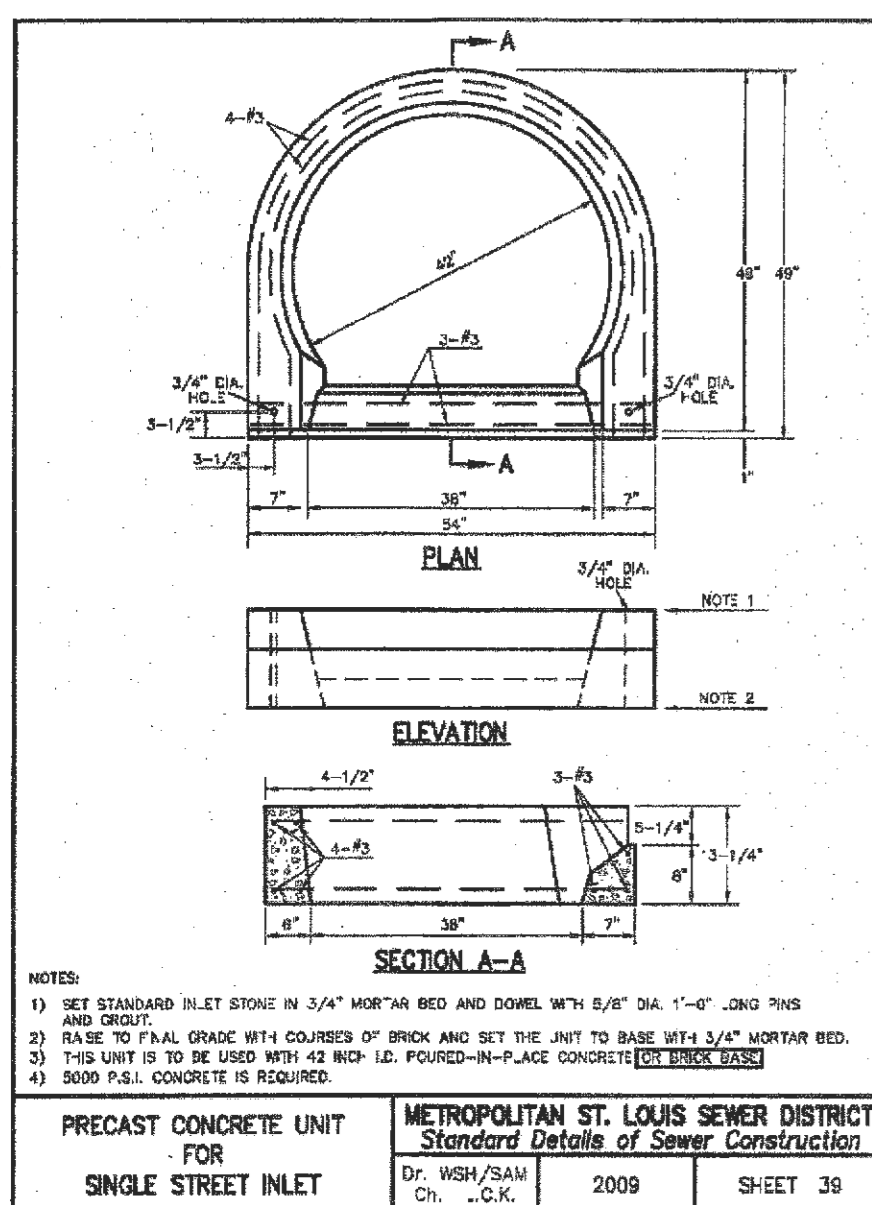
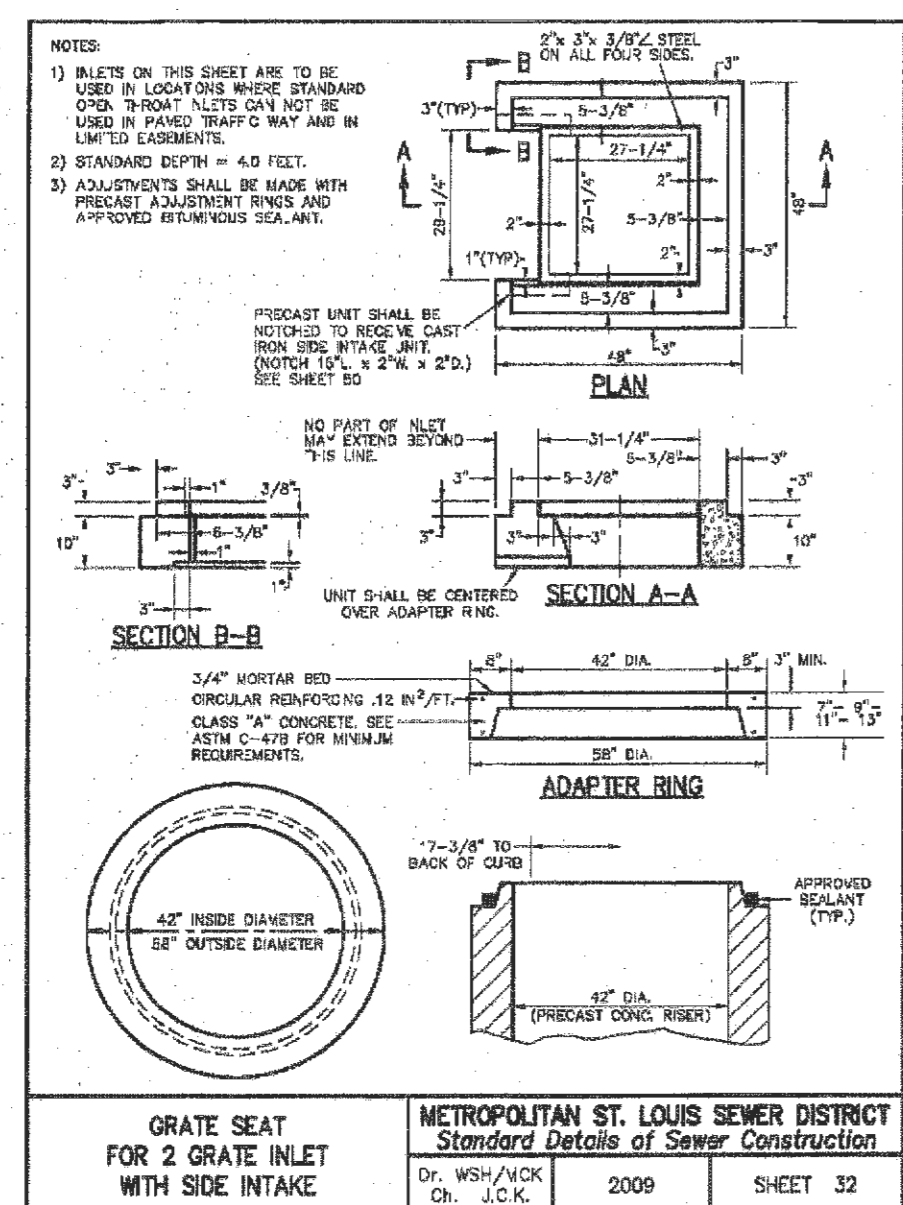


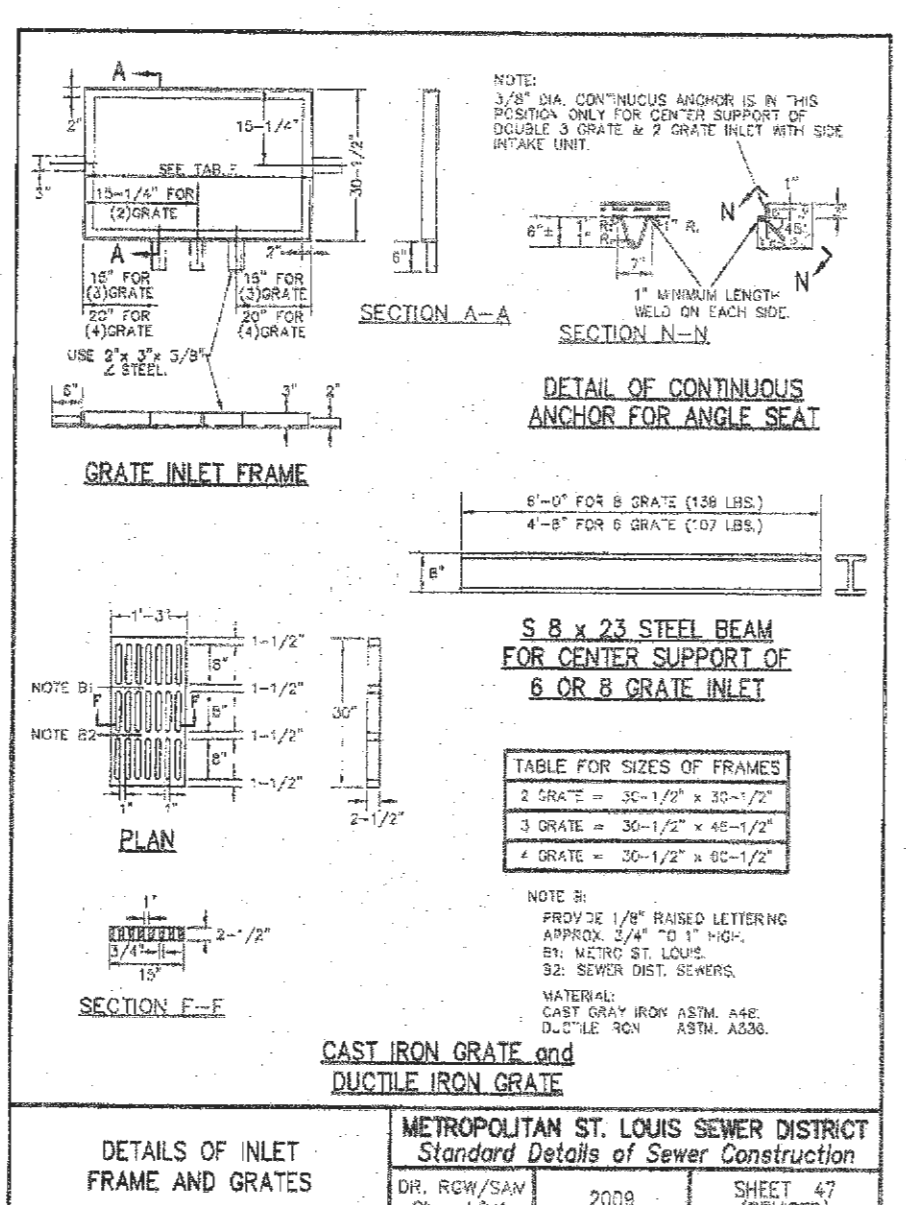
\\vafile01\va\civil\3D PROJECTS\2013\136101 NEC FEISE AND BRYAN\CONSTRUCTION DOCUMENTS\Erosion Control Details.dwg



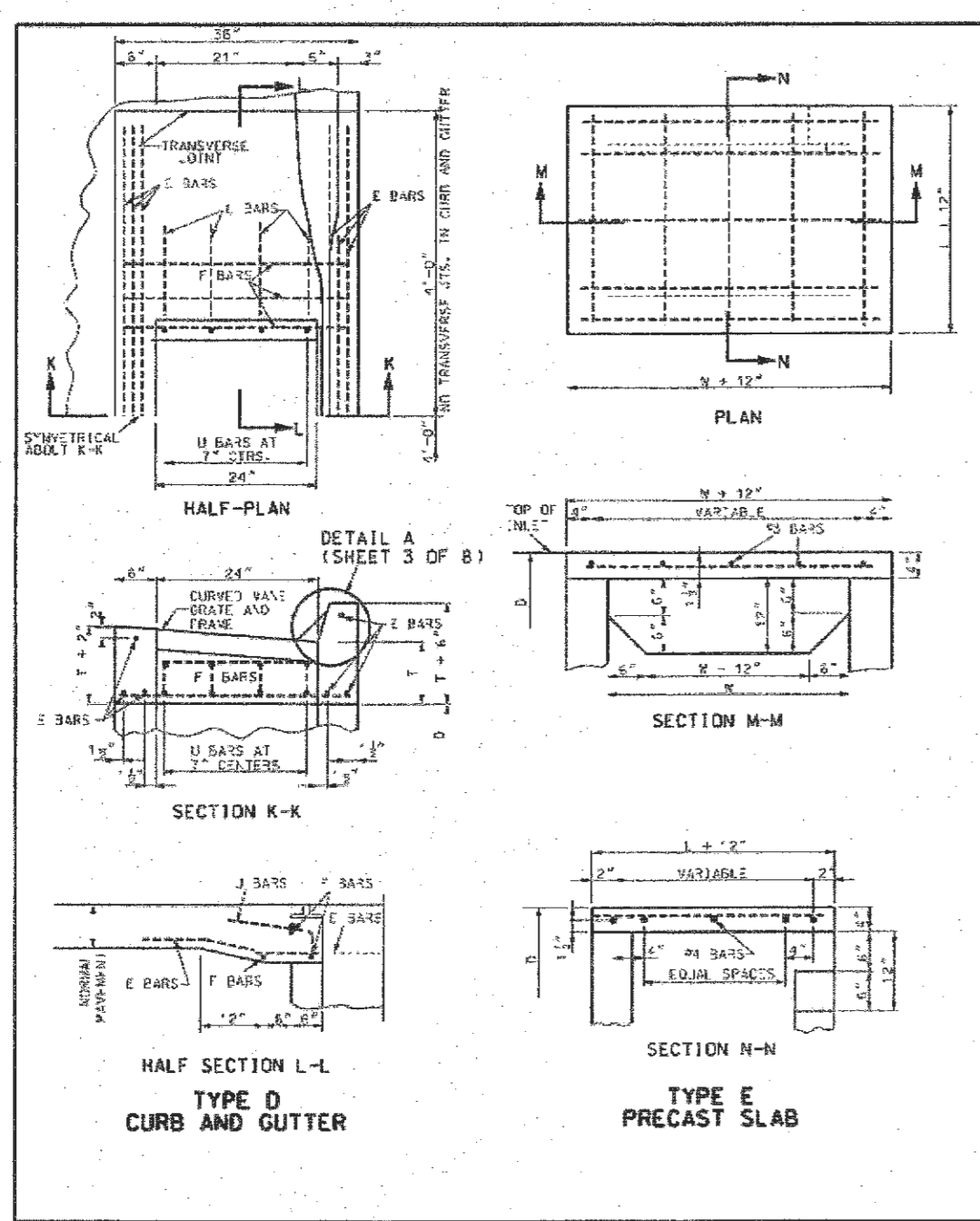
PRECAST CONCRETE UNIT FOR SINGLE STREET INLET
METROPOLITAN ST. LOUIS SEWER DISTRICT
Standard Details of Sewer Construction
Dr. WSH/SAM Ch. J.C.K. 2009 SHEET 39



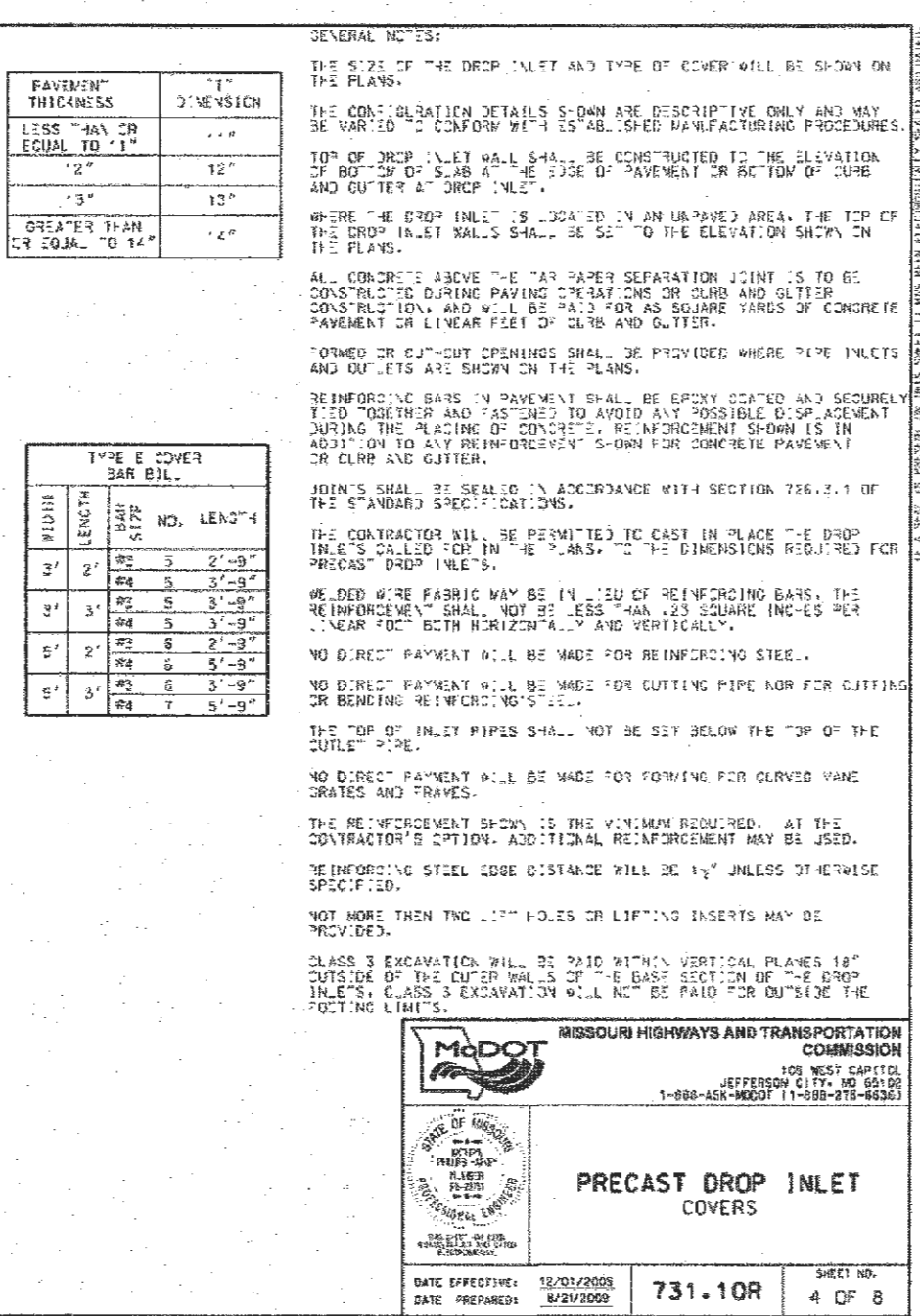
GRATE SEAT FOR 2 GRATE INLET WITH SIDE INTAKE
METROPOLITAN ST. LOUIS SEWER DISTRICT
Standard Details of Sewer Construction
Dr. WSH/SAM Ch. J.C.K. 2009 SHEET 32



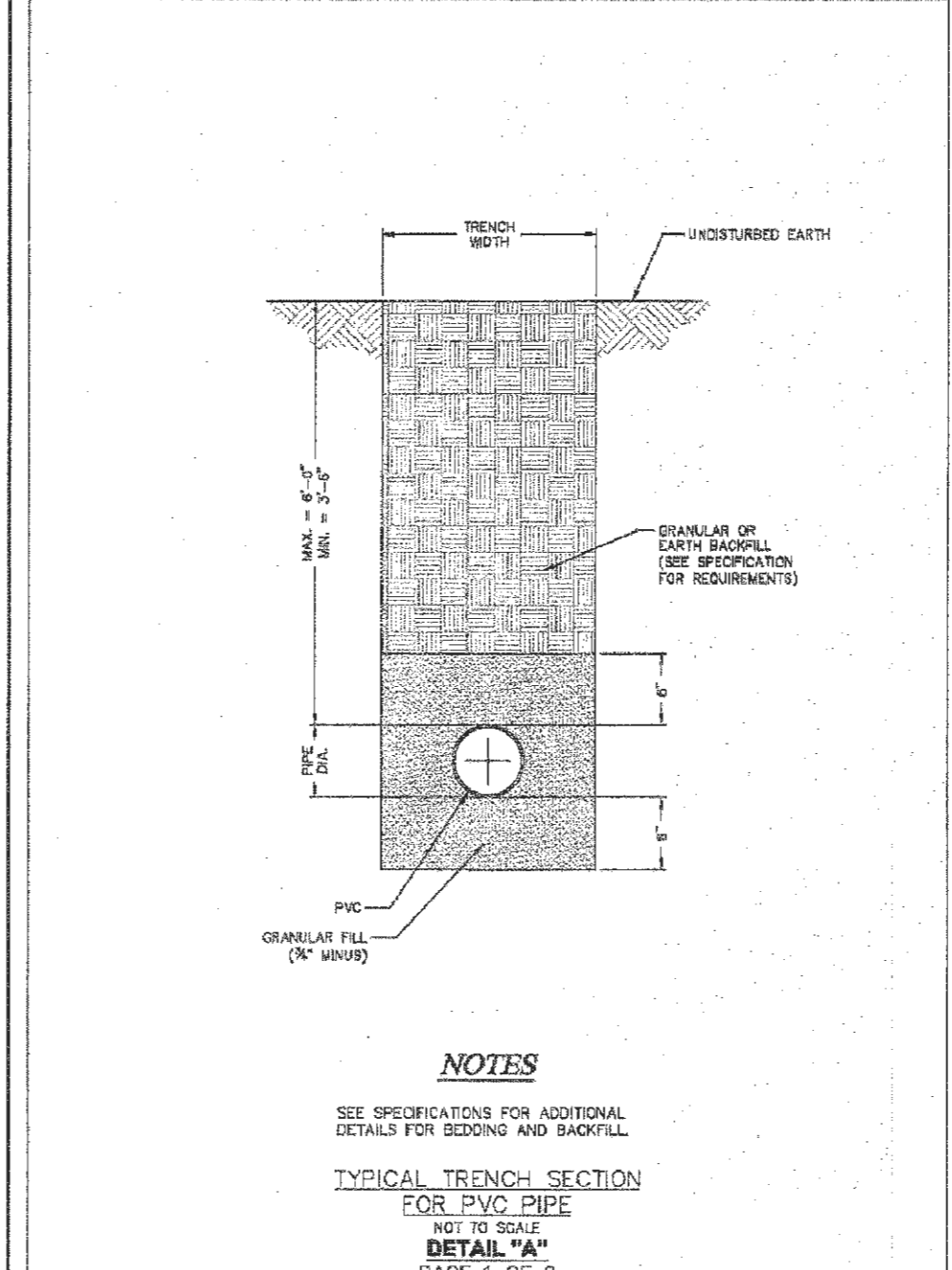
DETAILS OF INLET FRAME AND GRATES
METROPOLITAN ST. LOUIS SEWER DISTRICT
Standard Details of Sewer Construction
Dr. WSH/SAM Ch. J.C.K. 2009 SHEET 47 (REVISED)



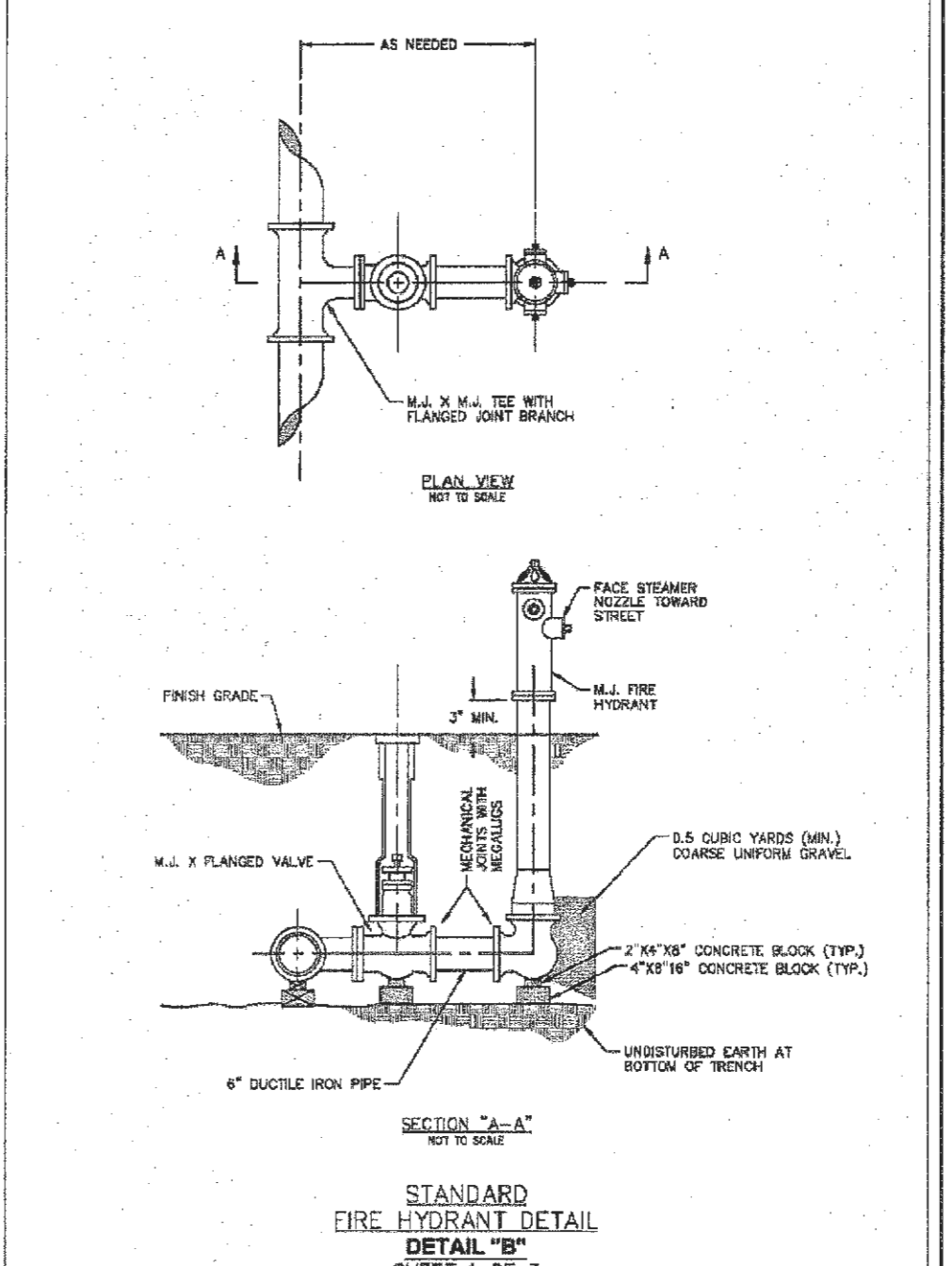
PRECAST DROP INLET COVERS
METROPOLITAN ST. LOUIS SEWER DISTRICT
Standard Details of Sewer Construction
Dr. WSH/SAM Ch. J.C.K. 2009 SHEET 40



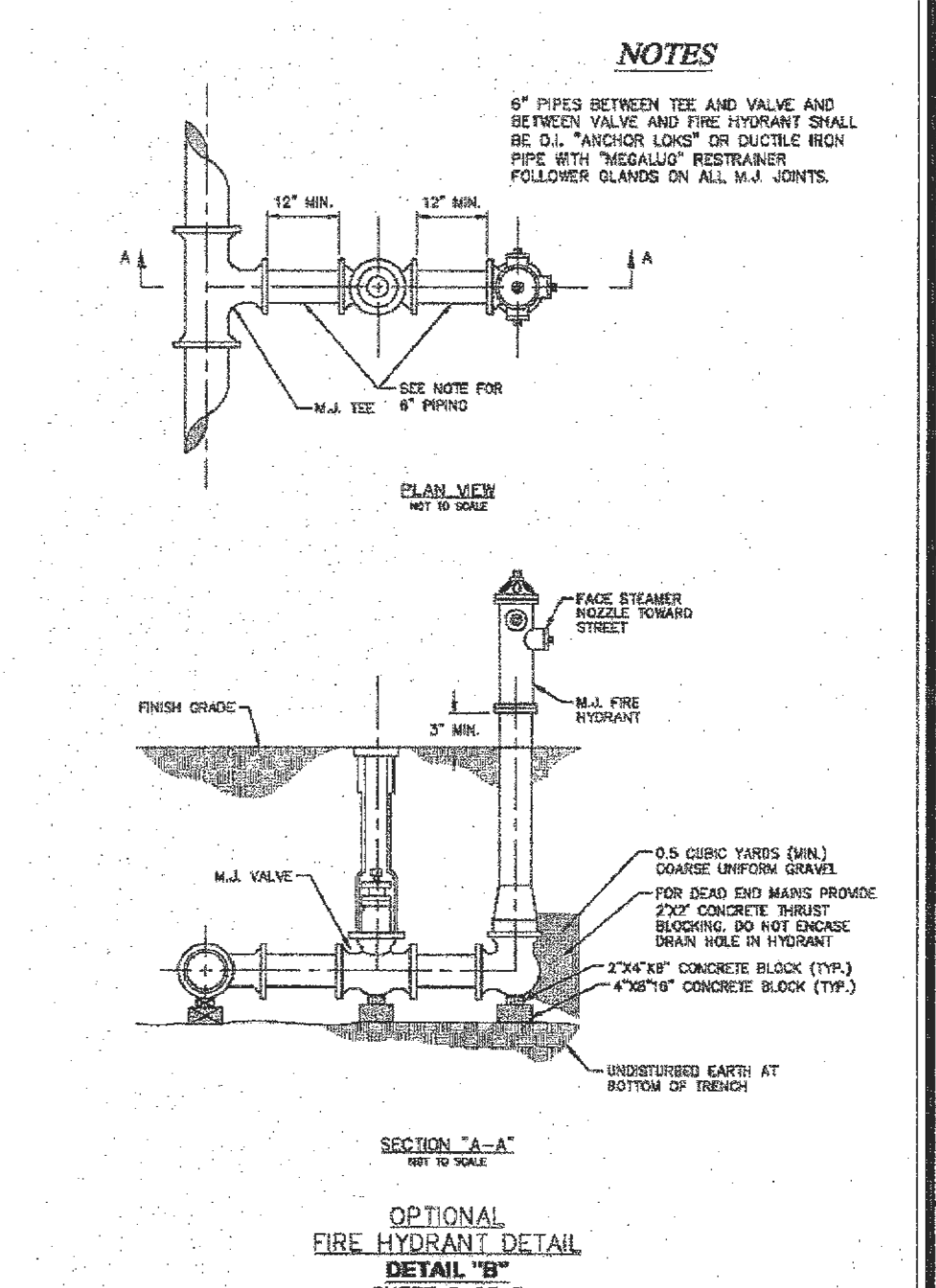
TYPICAL TRENCH SECTION FOR PVC PIPE
METROPOLITAN ST. LOUIS SEWER DISTRICT
Standard Details of Sewer Construction
Dr. WSH/SAM Ch. J.C.K. 2009 SHEET 41



STANDARD FIRE HYDRANT DETAIL
METROPOLITAN ST. LOUIS SEWER DISTRICT
Standard Details of Sewer Construction
Dr. WSH/SAM Ch. J.C.K. 2009 SHEET 42



TYPICAL 1 1/2" OR 2" WATER SERVICE METER PIT DETAIL
METROPOLITAN ST. LOUIS SEWER DISTRICT
Standard Details of Sewer Construction
Dr. WSH/SAM Ch. J.C.K. 2009 SHEET 43



TYPICAL COMMERCIAL SERVICE CONNECTION WITH FIRE PROTECTION DETAIL
METROPOLITAN ST. LOUIS SEWER DISTRICT
Standard Details of Sewer Construction
Dr. WSH/SAM Ch. J.C.K. 2009 SHEET 44

1-800-DIG-RITE
CALL BEFORE YOU DIG!
Underground utilities and structures have been plotted from available information and therefore, their location must be considered approximate only. It is the responsibility of the individual contractors to notify the utility companies before actual construction.

CVS pharmacy
NORTHERN 13,225-RIGHT CHAMFER DRIVE-THRU
STORE NUMBER 10546
10000 W. FALLOON, MO
PROJECT TYPE NEW CONSTRUCTION
DEAL TYPE Fee for Service
CS PROJECT NUMBER 69591

NORR
ARCHITECTS ENGINEERS PLANNERS
719 Chatham Street
Baltimore, MD 21202
(410) 528-4110

308 TOW COURT
LAKES SAINT LOUIS, MO 63367
Phone: (314) 925-7444 Fax: (314) 925-7457
Missouri Certificate of Authority # E-2011000351
Missouri Certificate of Authority # LS-201200769

ENGINEERS AUTHENTICATION
The responsibility for professional engineering liability on this project is hereby limited to the set of plans enclosed by the seal, signature, and date hereunder attached. Responsibility is disclaimed for all other engineering plans involved in this project and specifically excludes review after this date unless resubmitted.

STEVE MARION P.E.
ENGINEER
PC200607196

Developer / Owner Information
T.M.
GROWLEY & ASSOCIATES
Utility Details

P+Z No. 01-15 & 01.15.01
APPROVED 1-15-15
City No.
Sheet Number:
22
PCE PROJECT NO. 136101