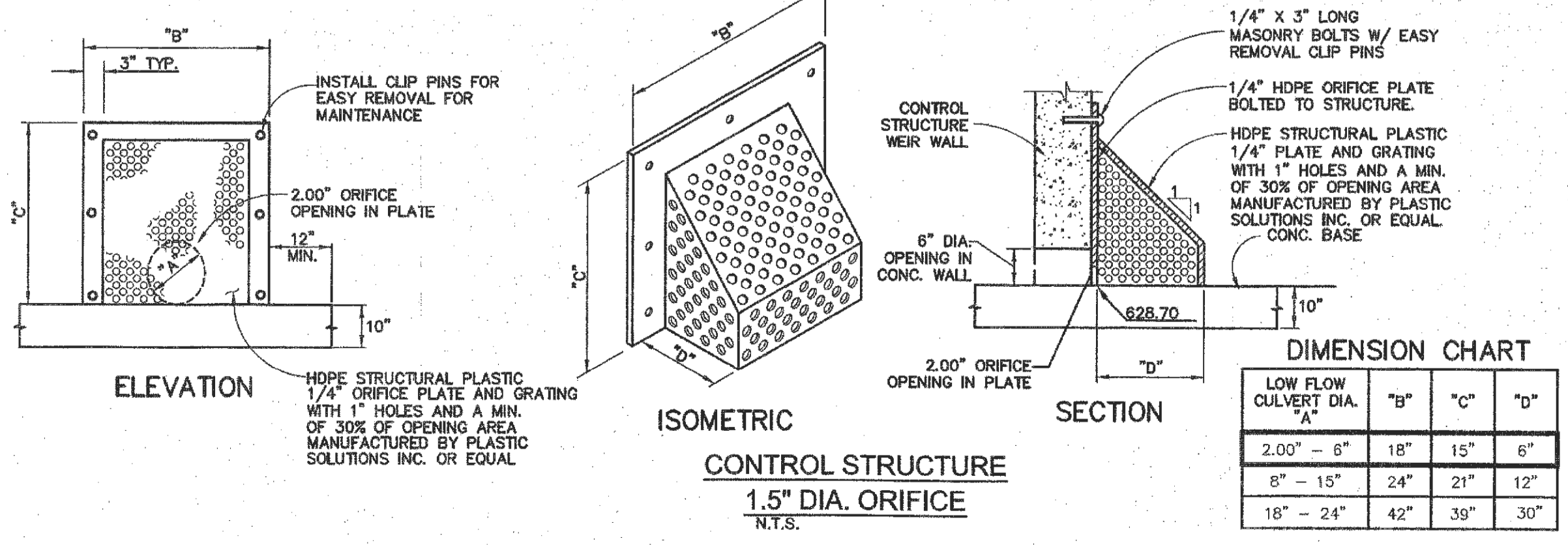


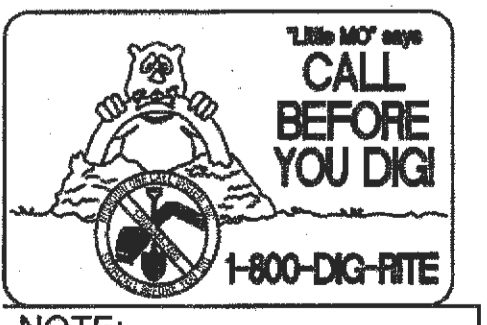
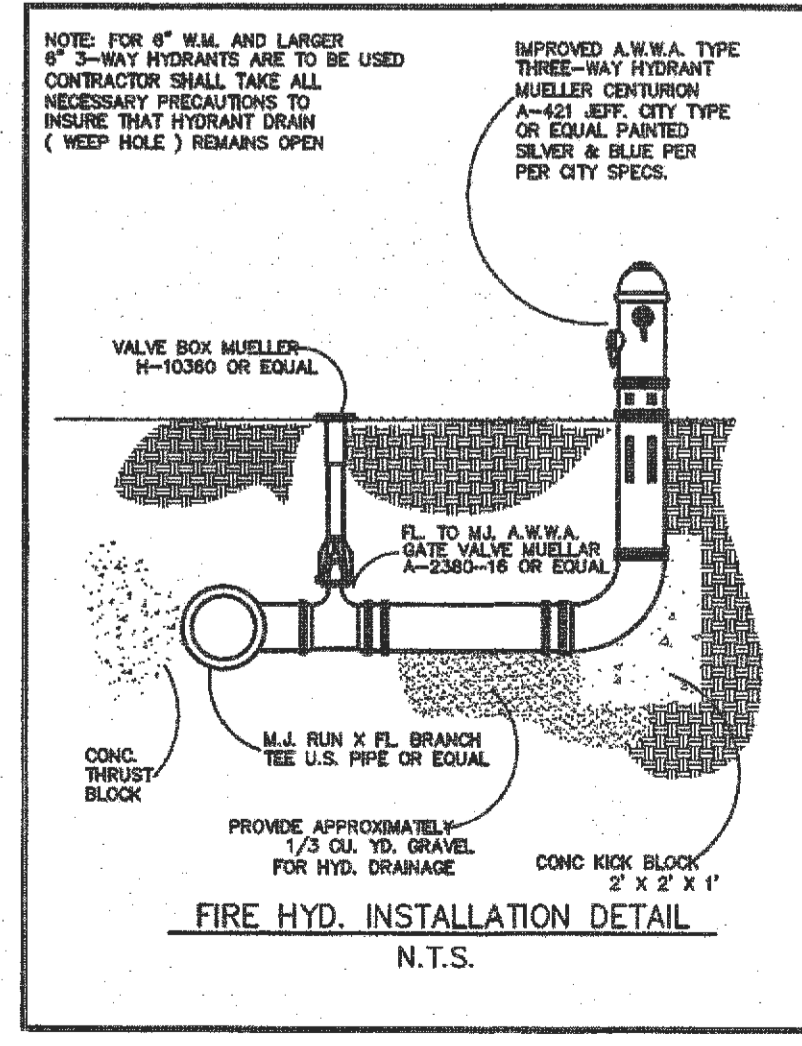
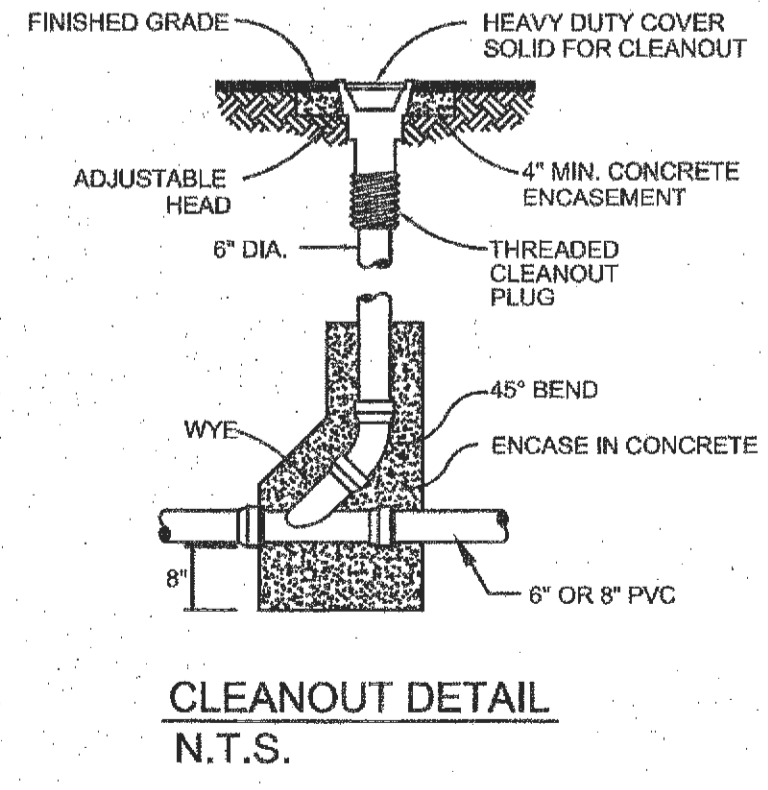
OUTFALL STRUCTURE OS 201 DETAIL
SCALE: 1" = 2'

SHOP DRAWING REVIEW NOTE:
ENGINEER APPROVED, SIGNED AND SEALED SHOP DRAWINGS MUST BE SUBMITTED TO THE CITY OF O'FALLON ENGINEER PRIOR TO CONSTRUCTION OF THIS STRUCTURE. CONTACT: JAY HERIGODT, ASSISTANT CITY ENGINEER. AT 636-379-5416



DIMENSION CHART

LOW FLOW CULVERT DIA. "A"	"B"	"C"	"D"
2.00" - 6"	18"	15"	6"
6" - 15"	24"	21"	12"
18" - 24"	42"	39"	30"



NOTE:
Underground utilities and structures have been plotted from available information and therefore, their location must be considered approximate only. It is the responsibility of the individual contractors to notify the utility companies before actual construction.

I:\vault\pvcivil\CIVIL_3D_PROJECTS\2013\136101_NEC_FEISE_AND_BRYANCONSTRUCTION_DOCUMENTS\Erosion_Control_Details.dwg