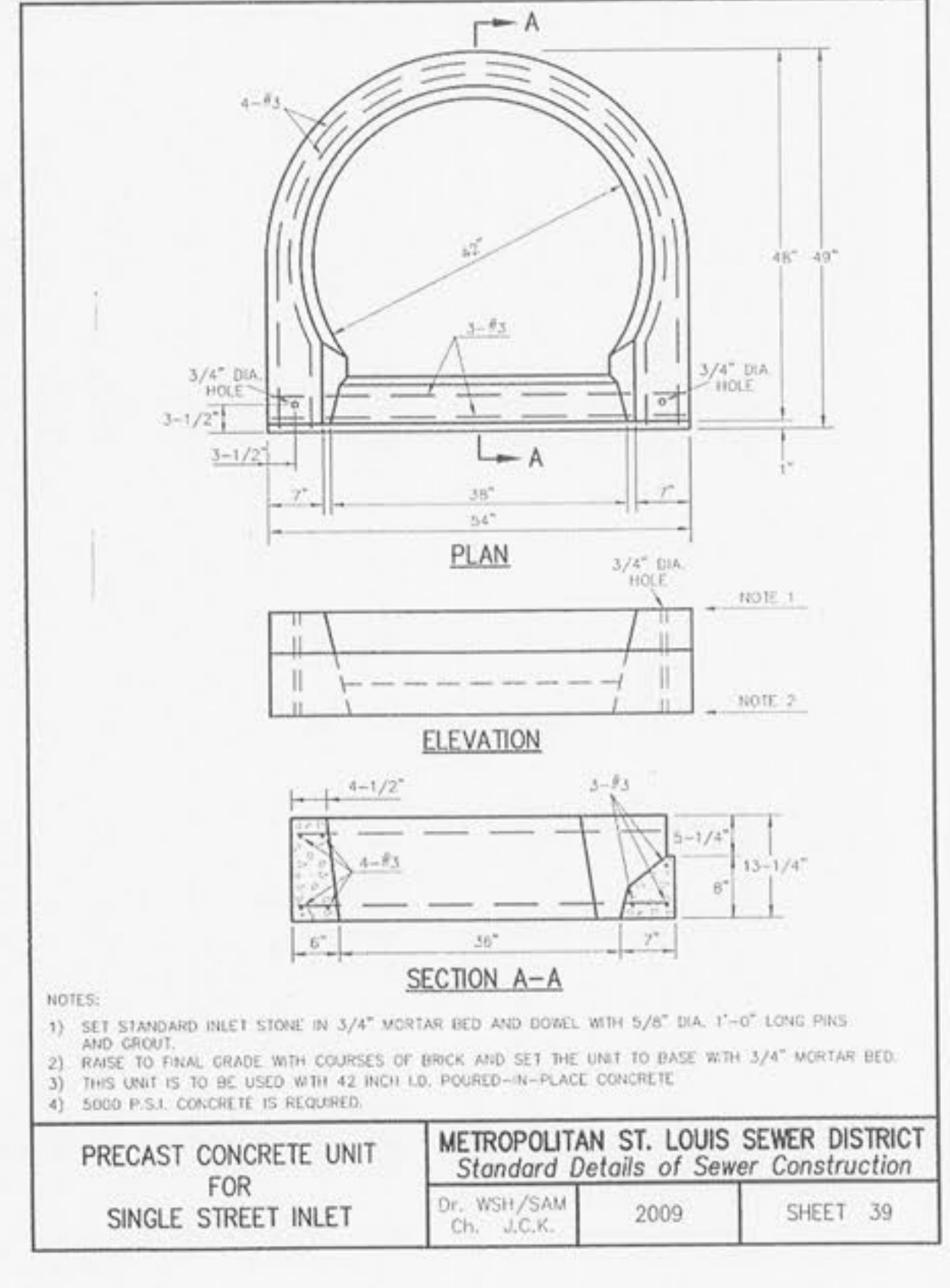
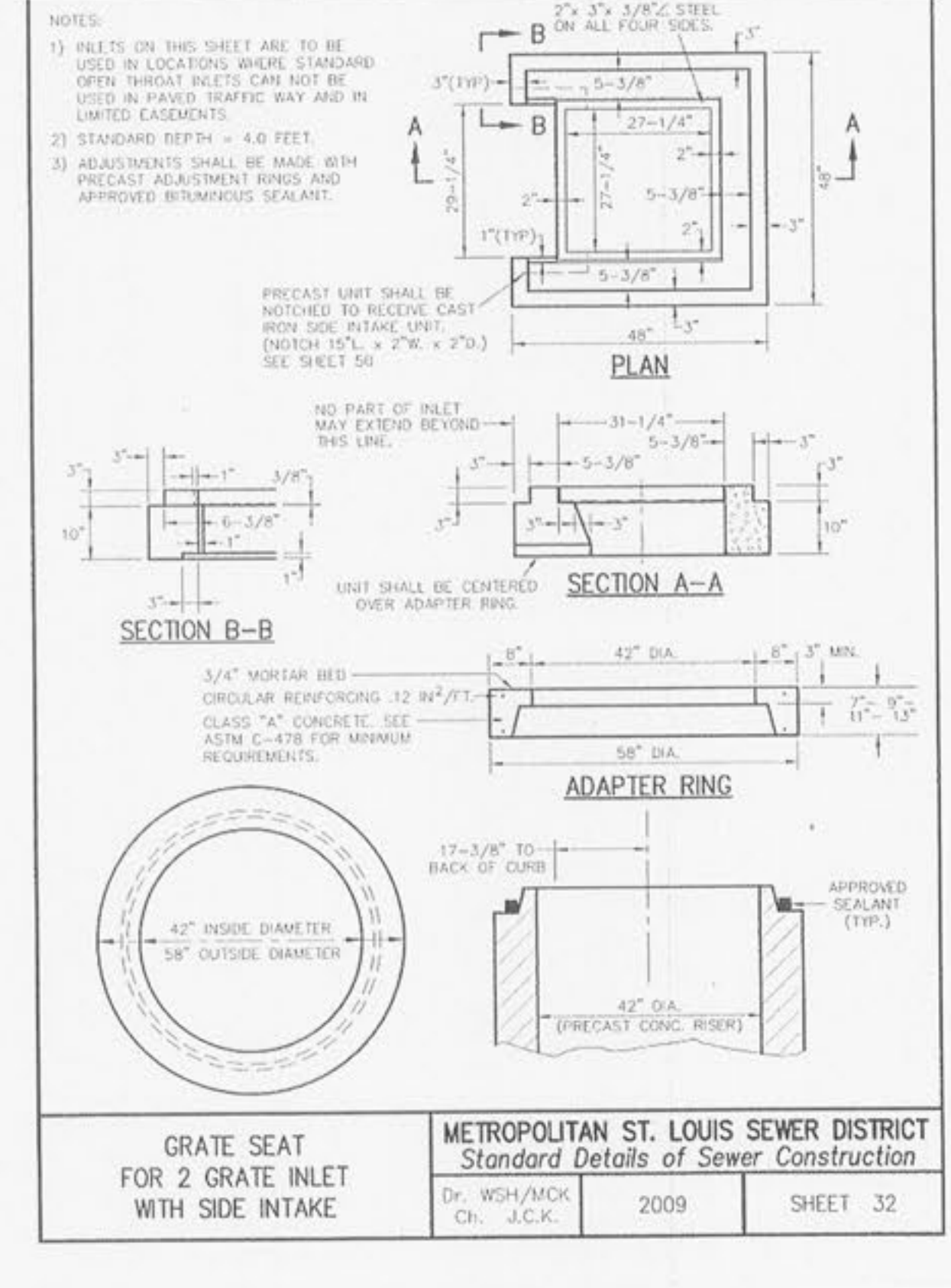


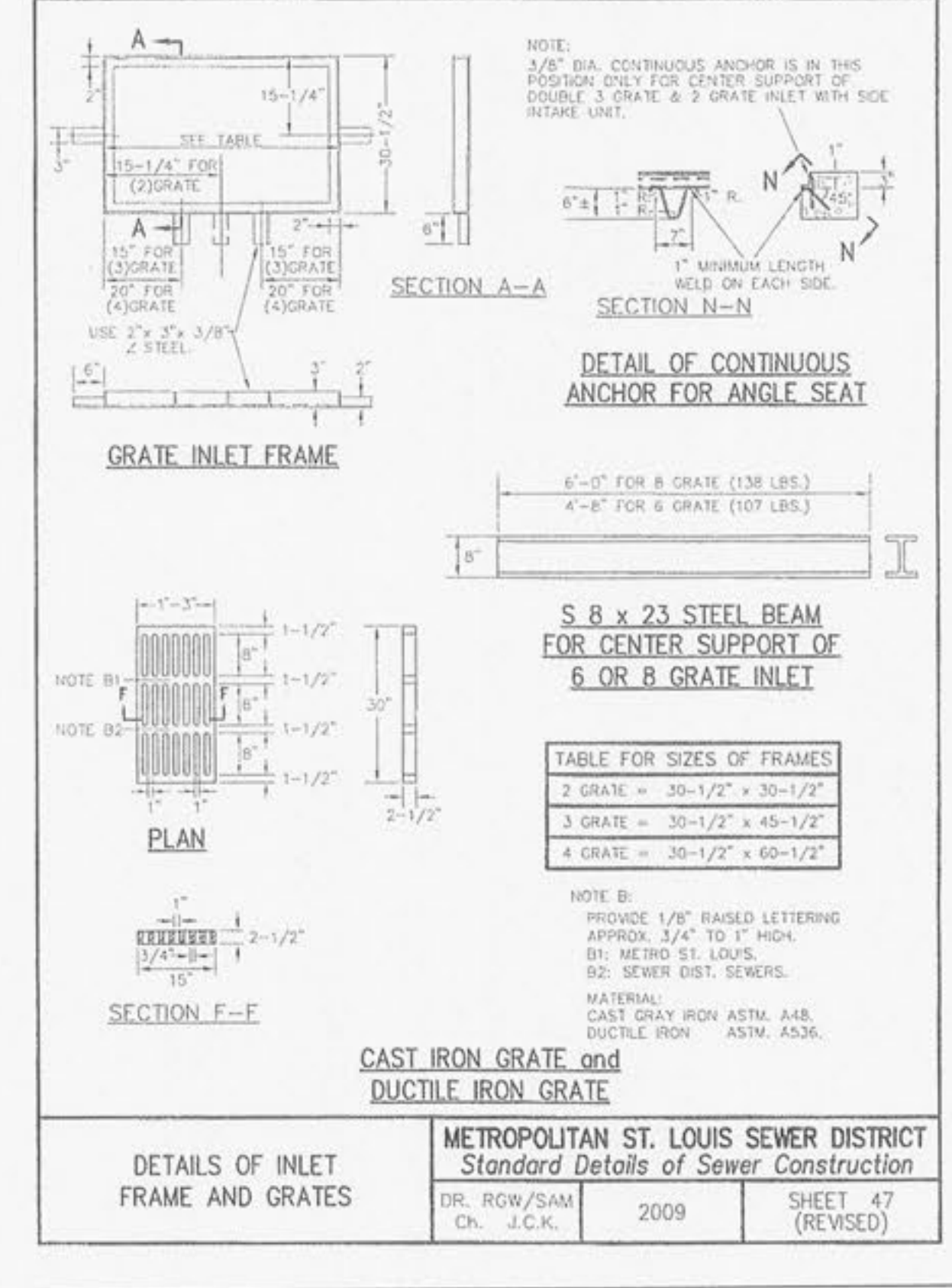
PRECAST MANHOLE ON EXIST. PIPE W/CONTINUOUS FLOW ONLY	METROPOLITAN ST. LOUIS SEWER DISTRICT Standard Details of Sewer Construction	Dr. S.A.M. Ch. P.W.S.	2009	SHEET 22
---	---	--------------------------	------	----------



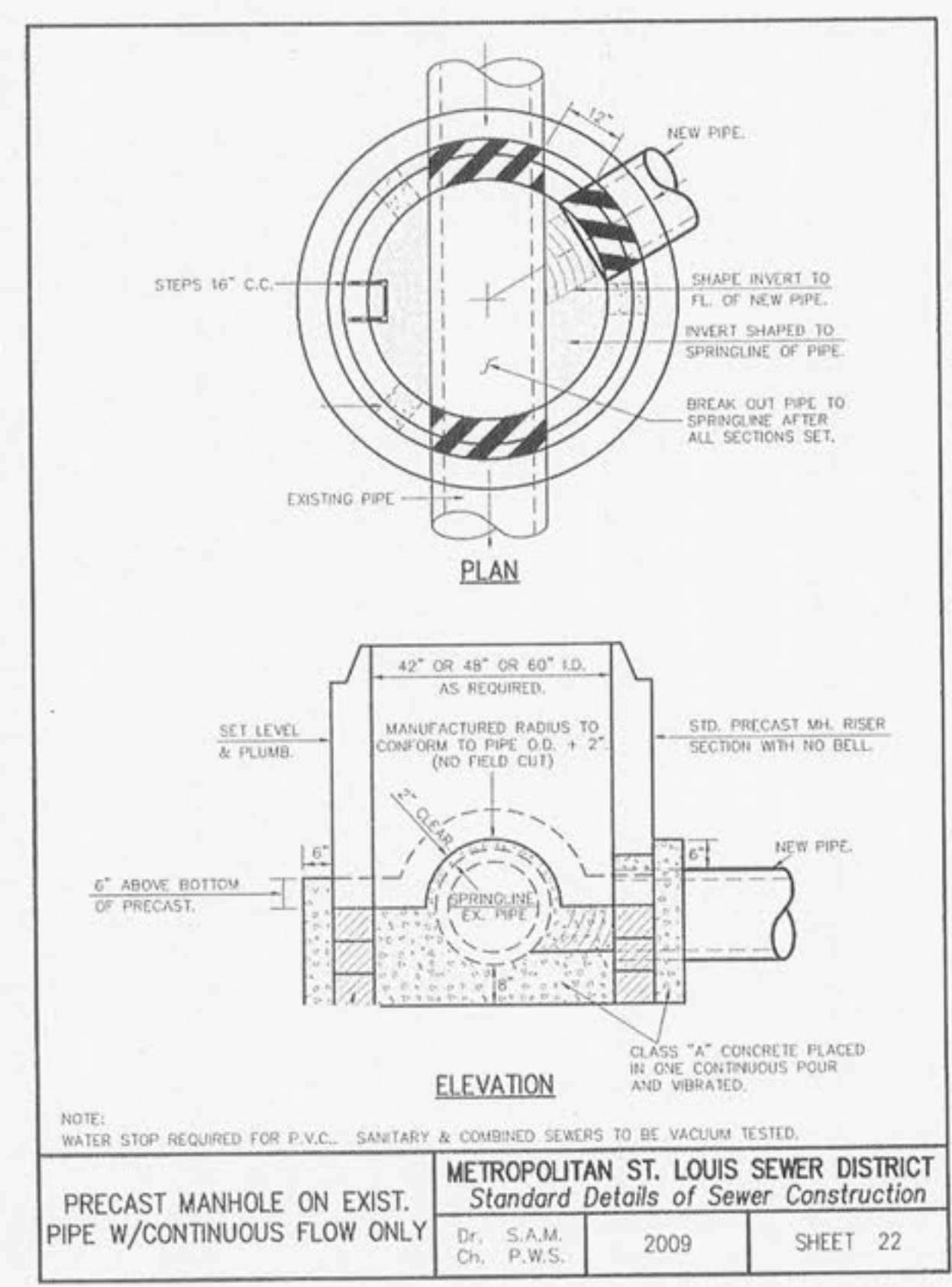
PRECAST CONCRETE UNIT FOR SINGLE STREET INLET	METROPOLITAN ST. LOUIS SEWER DISTRICT Standard Details of Sewer Construction	Dr. WSH/SAM Ch. J.C.K.	2009	SHEET 39
---	---	---------------------------	------	----------



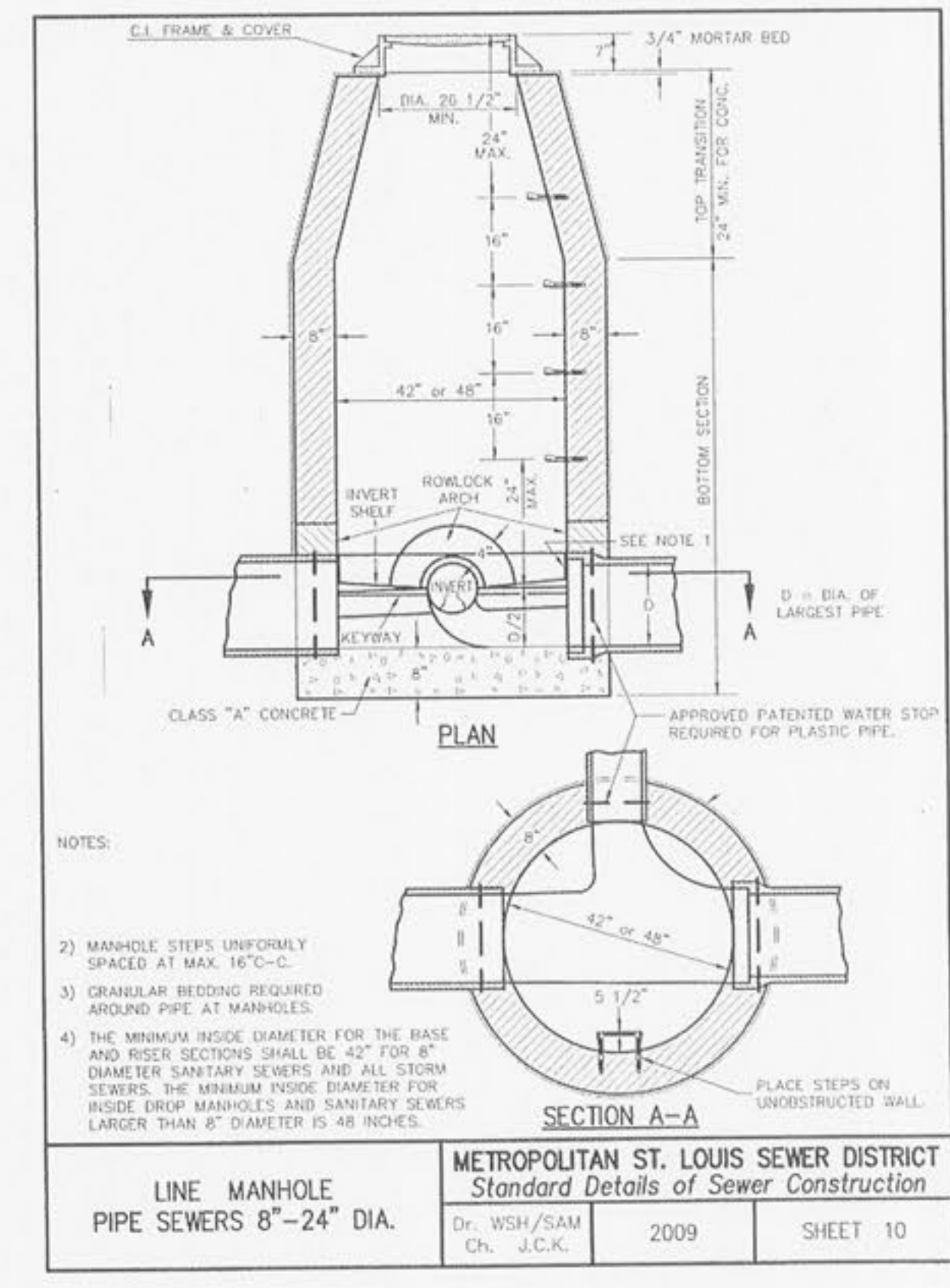
GRATE SEAT FOR 2 GRATE INLET WITH SIDE INTAKE	METROPOLITAN ST. LOUIS SEWER DISTRICT Standard Details of Sewer Construction	Dr. WSH/AMK Ch. J.C.K.	2009	SHEET 32
---	---	---------------------------	------	----------



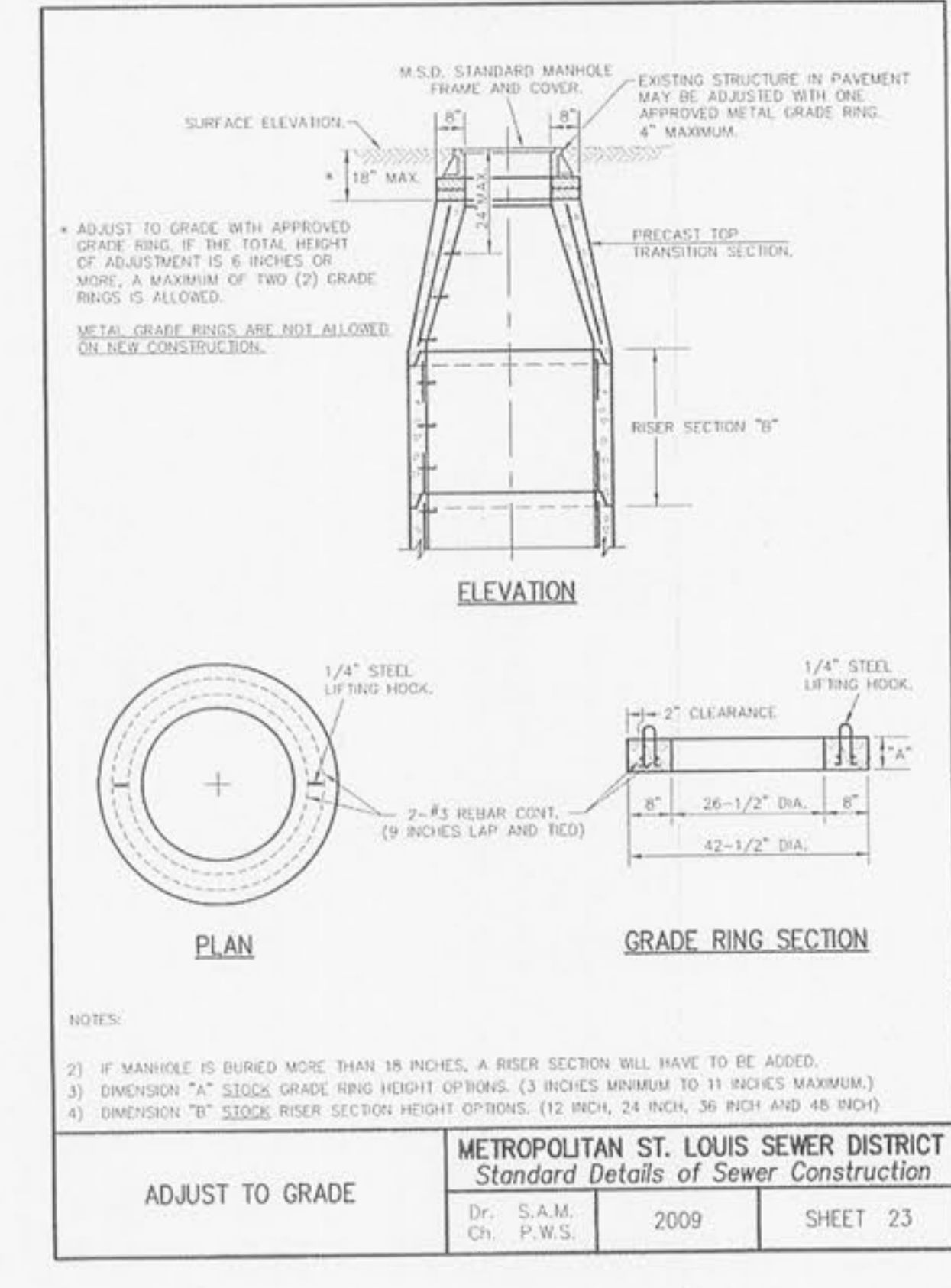
DETAILS OF INLET FRAME AND GRATES	METROPOLITAN ST. LOUIS SEWER DISTRICT Standard Details of Sewer Construction	Dr. RGW/SAM Ch. J.C.K.	2009	SHEET 47 (REVISED)
-----------------------------------	---	---------------------------	------	--------------------



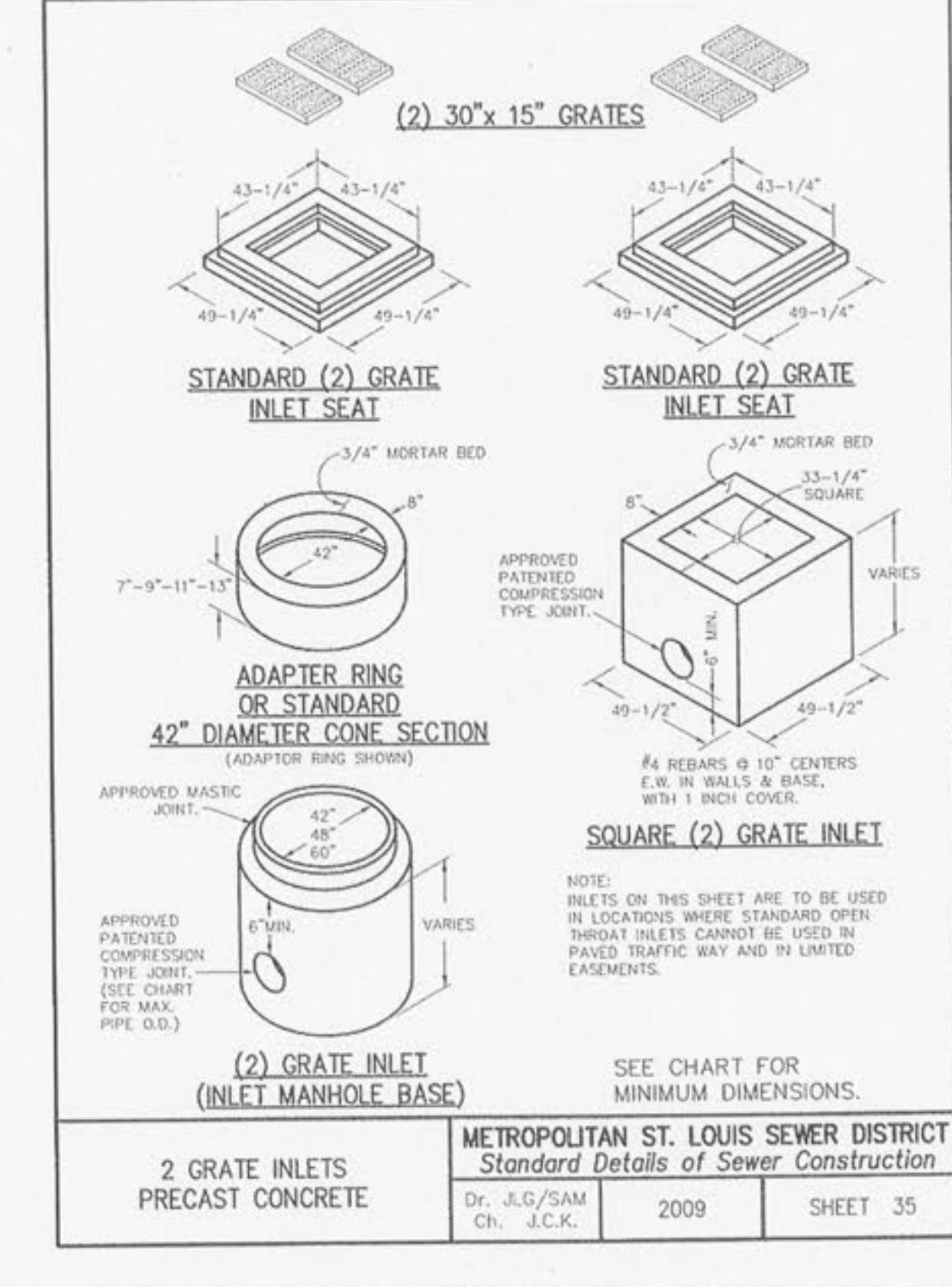
PRECAST MANHOLE ON EXIST. PIPE W/CONTINUOUS FLOW ONLY	METROPOLITAN ST. LOUIS SEWER DISTRICT Standard Details of Sewer Construction	Dr. S.A.M. Ch. P.W.S.	2009	SHEET 22
---	---	--------------------------	------	----------



LINE MANHOLE PIPE SEWERS 8-24\"/>	METROPOLITAN ST. LOUIS SEWER DISTRICT Standard Details of Sewer Construction	Dr. WSH/SAM Ch. J.C.K.	2009	SHEET 10
-----------------------------------	---	---------------------------	------	----------



ADJUST TO GRADE	METROPOLITAN ST. LOUIS SEWER DISTRICT Standard Details of Sewer Construction	Dr. S.A.M. Ch. P.W.S.	2009	SHEET 23
-----------------	---	--------------------------	------	----------



2 GRATE INLETS PRECAST CONCRETE	METROPOLITAN ST. LOUIS SEWER DISTRICT Standard Details of Sewer Construction	Dr. J.G./SAM Ch. J.C.K.	2009	SHEET 35
---------------------------------	---	----------------------------	------	----------