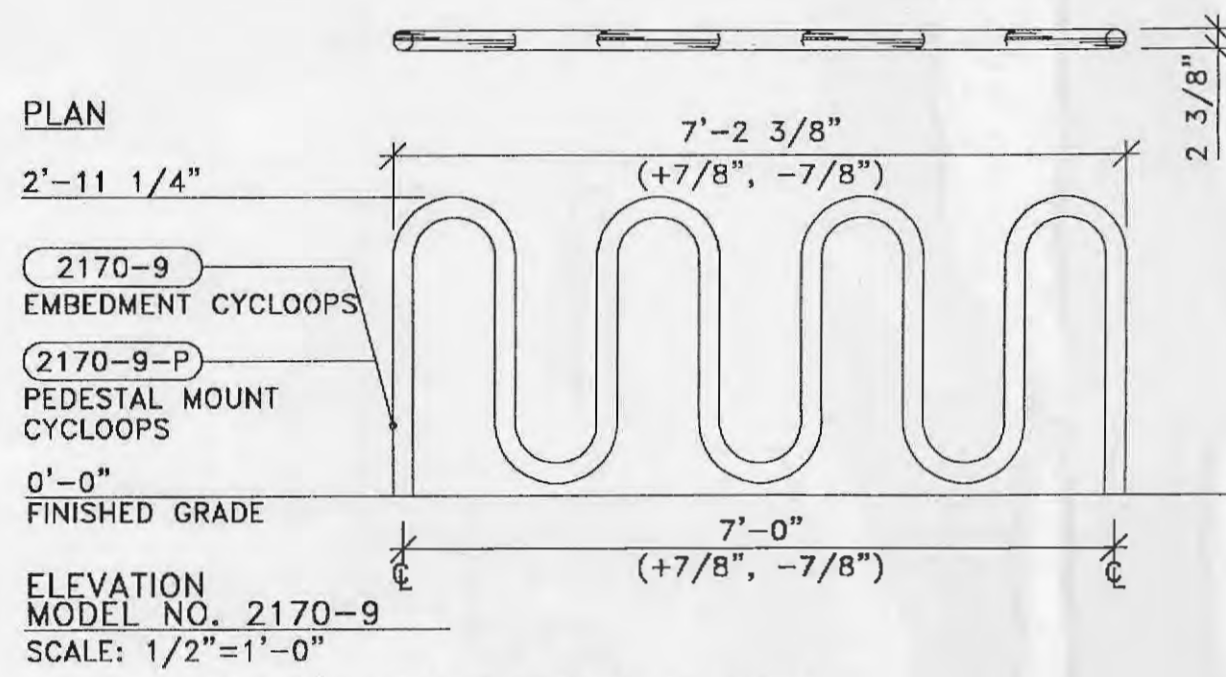
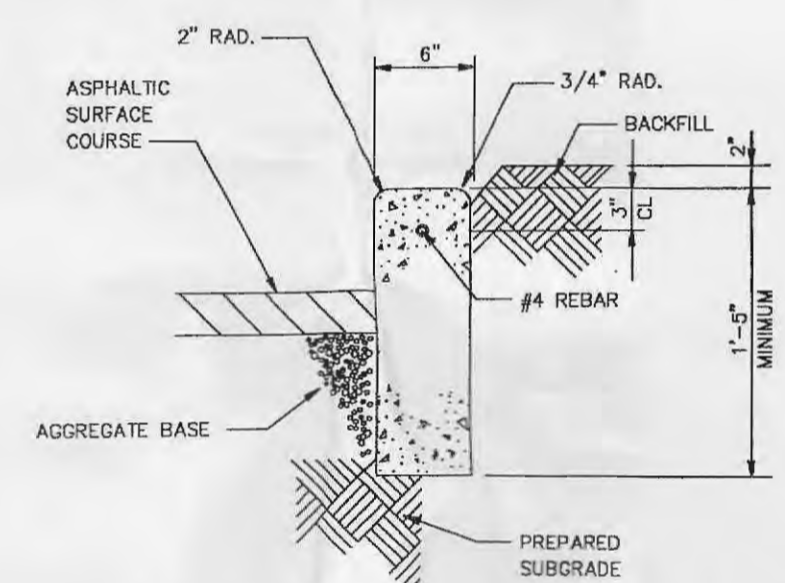


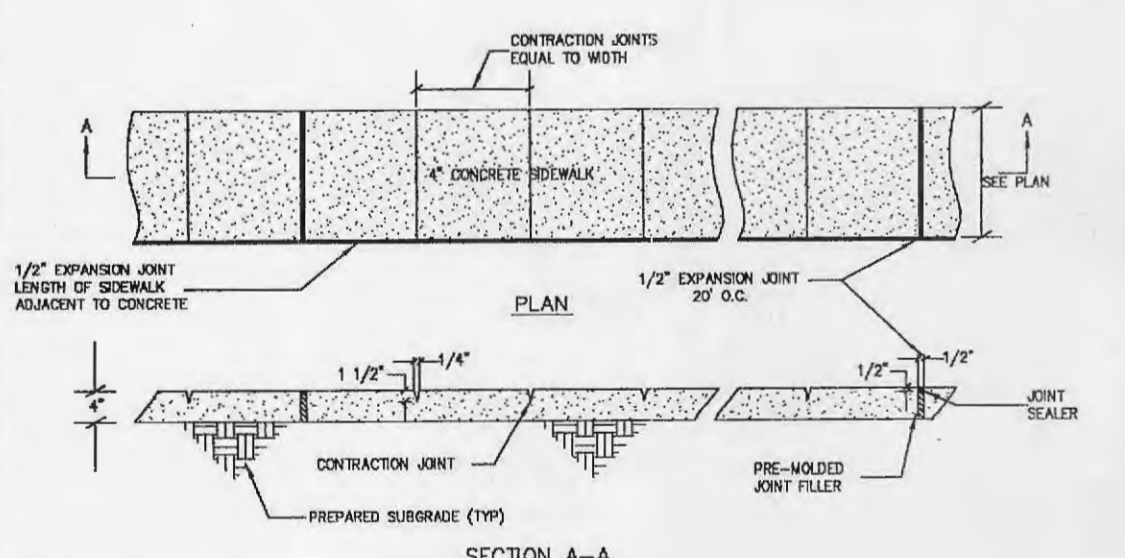
**17 CONCRETE PAVEMENT DETAIL**  
SCALE: N.T.S. REF. DWG.



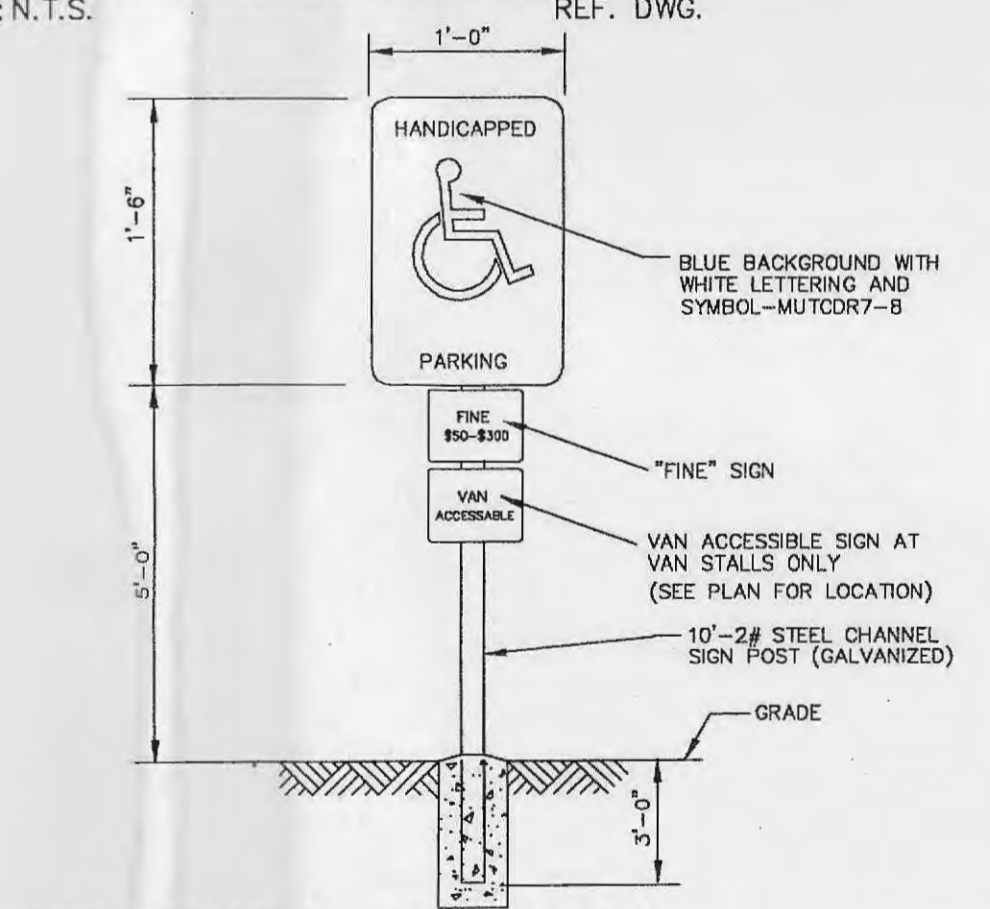
**16 BIKE RACK DETAIL (TYP.)**  
SCALE: N.T.S. REF. DWG.



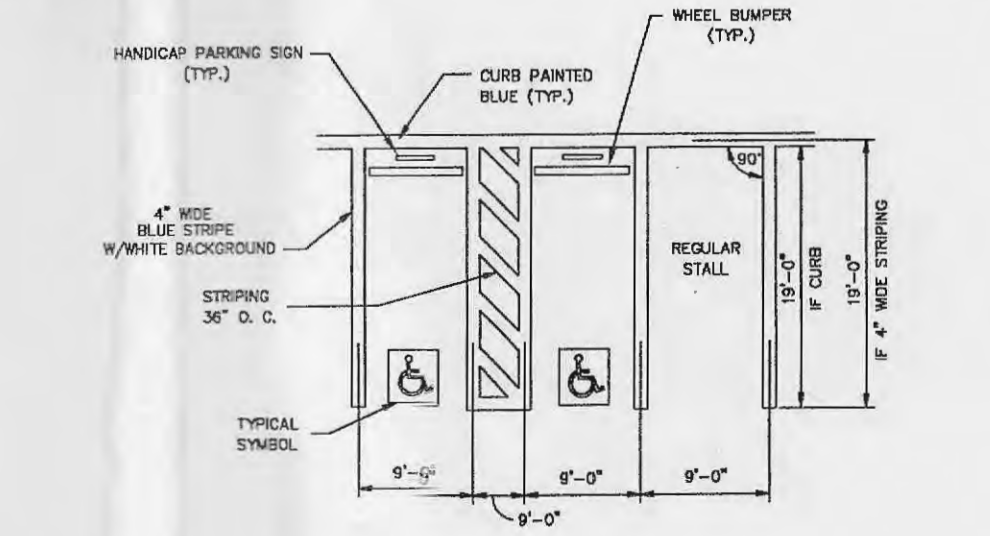
**15 CONC. VERTICAL CURB DETAIL**  
SCALE: N.T.S. REF. DWG.



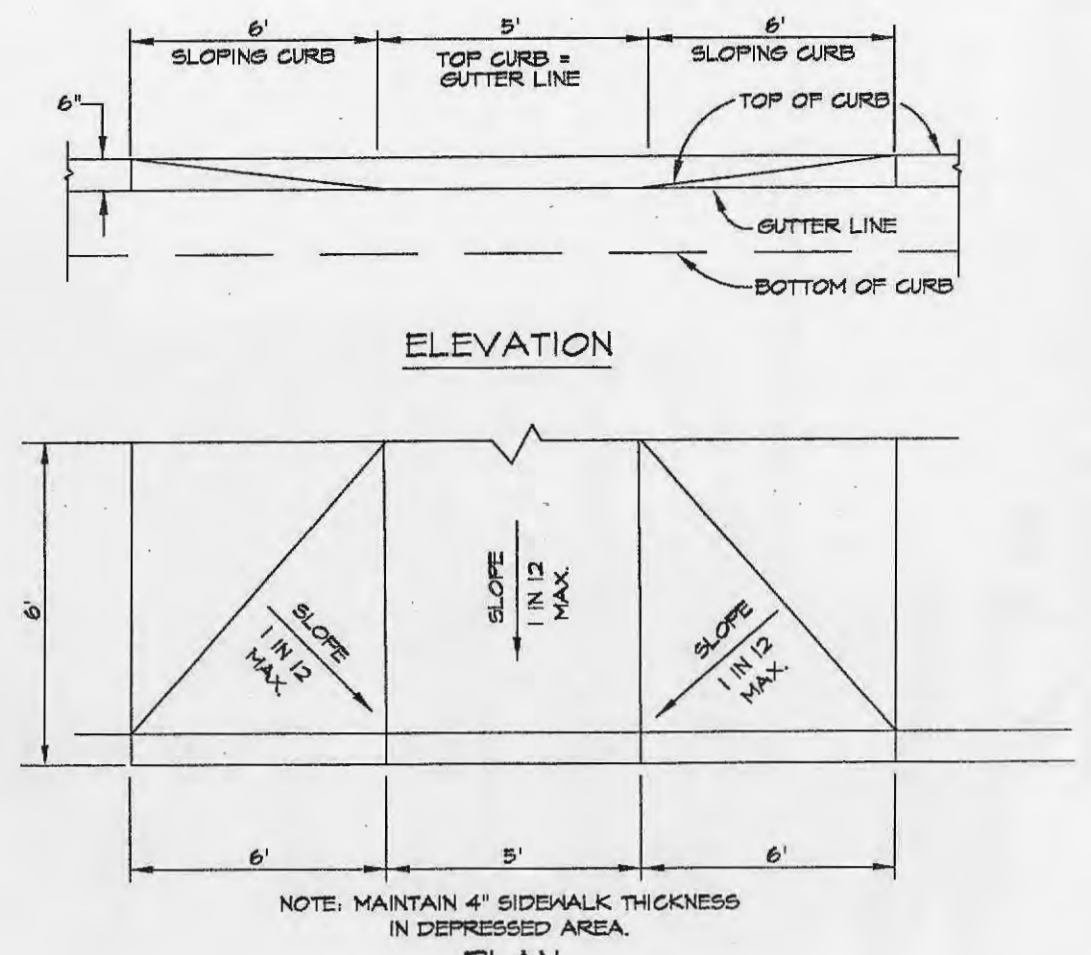
**18 SIDEWALK DETAIL**  
SCALE: N.T.S. REF. DWG.



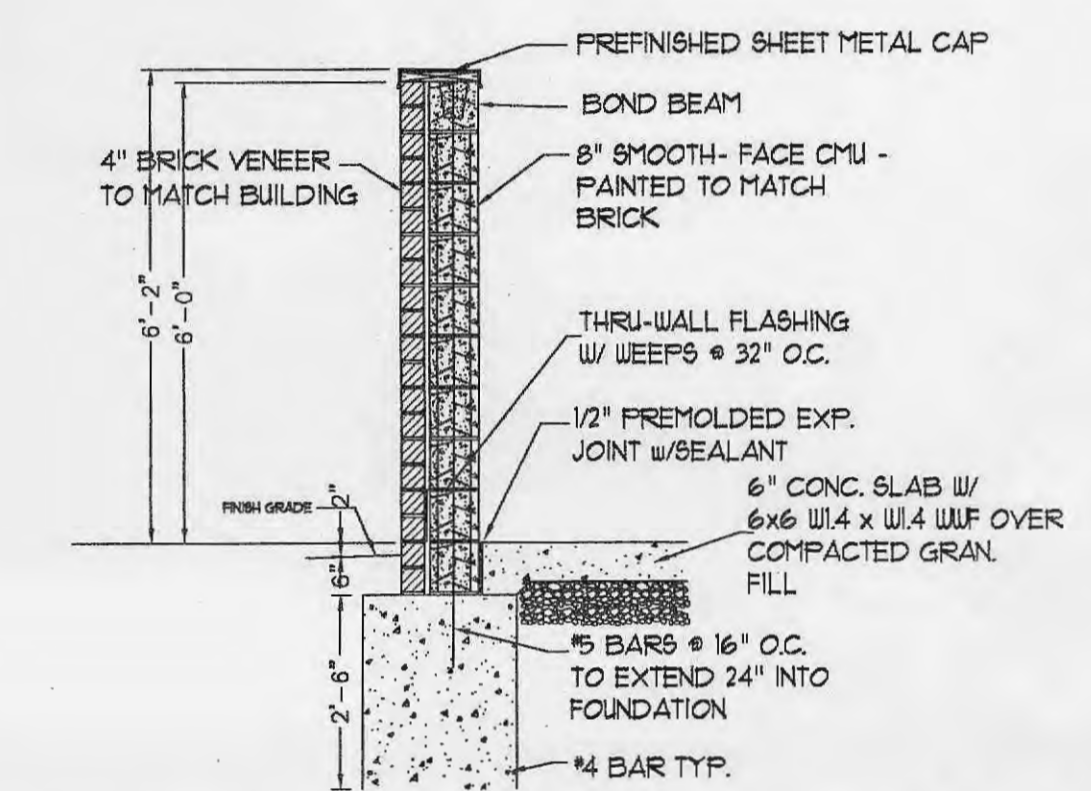
**14 HANDICAP SIGN DETAIL**  
SCALE: N.T.S. REF. DWG. CS.0



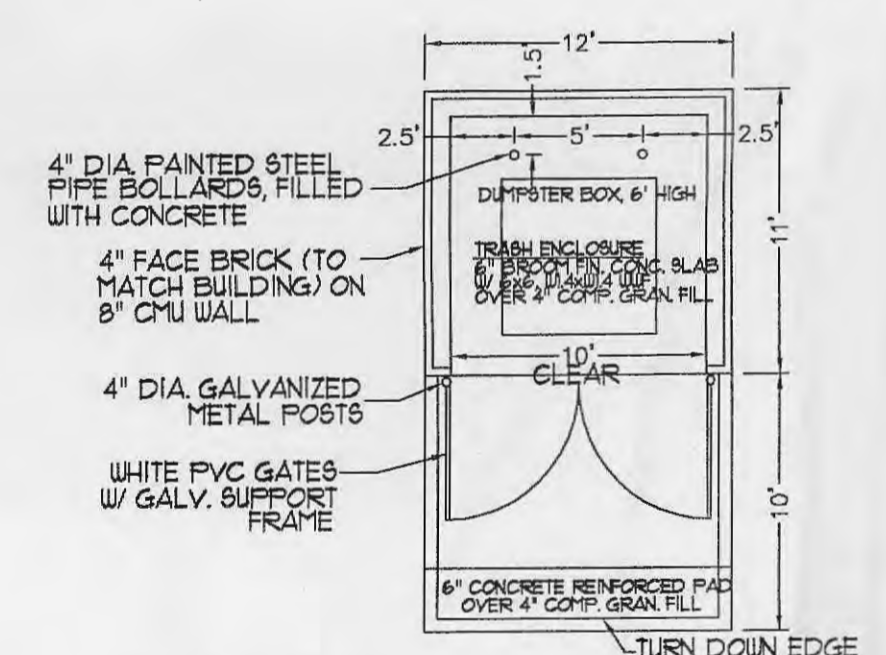
**13 HANDICAP STALL DETAIL**  
SCALE: N.T.S. REF. DWG.



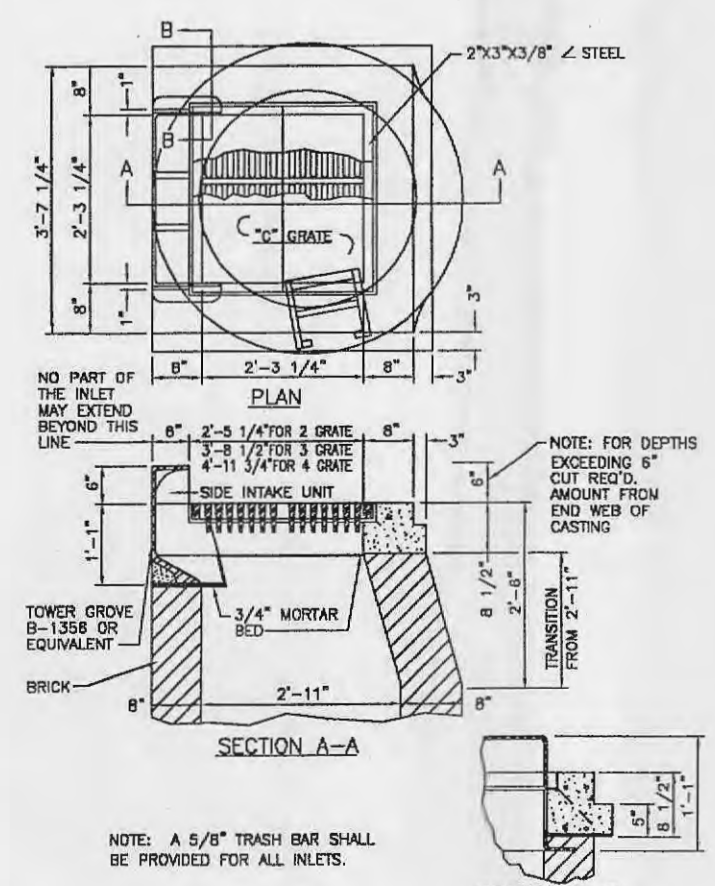
**12 HANDICAP RAMP DETAIL (TYPE 2)**  
SCALE: N.T.S. REF. DWG.



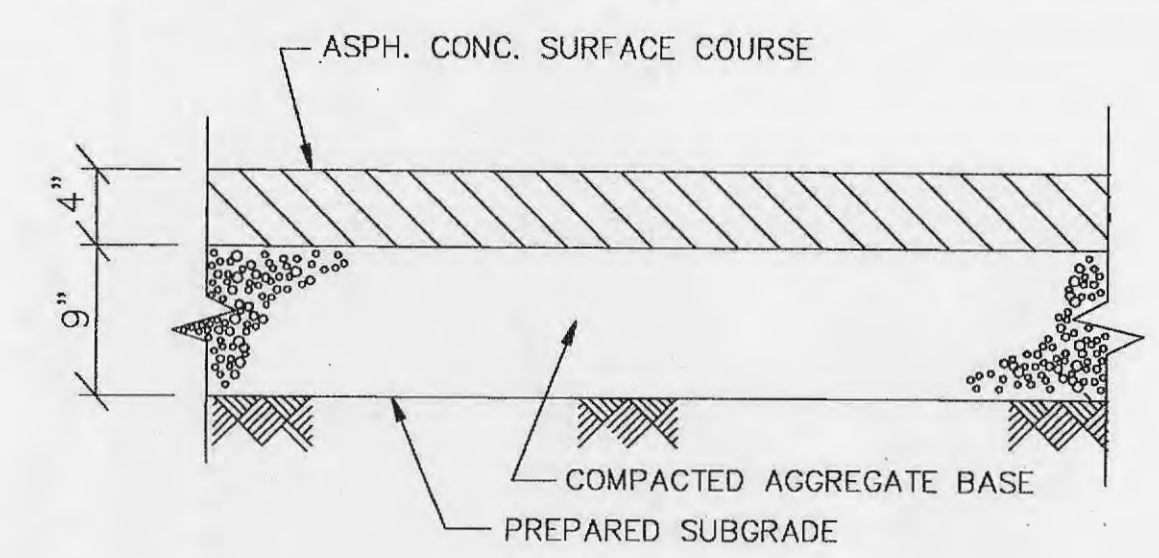
**11 WALL SECTION @ TRASH ENCLOSURE**  
SCALE: N.T.S. REF. DWG.



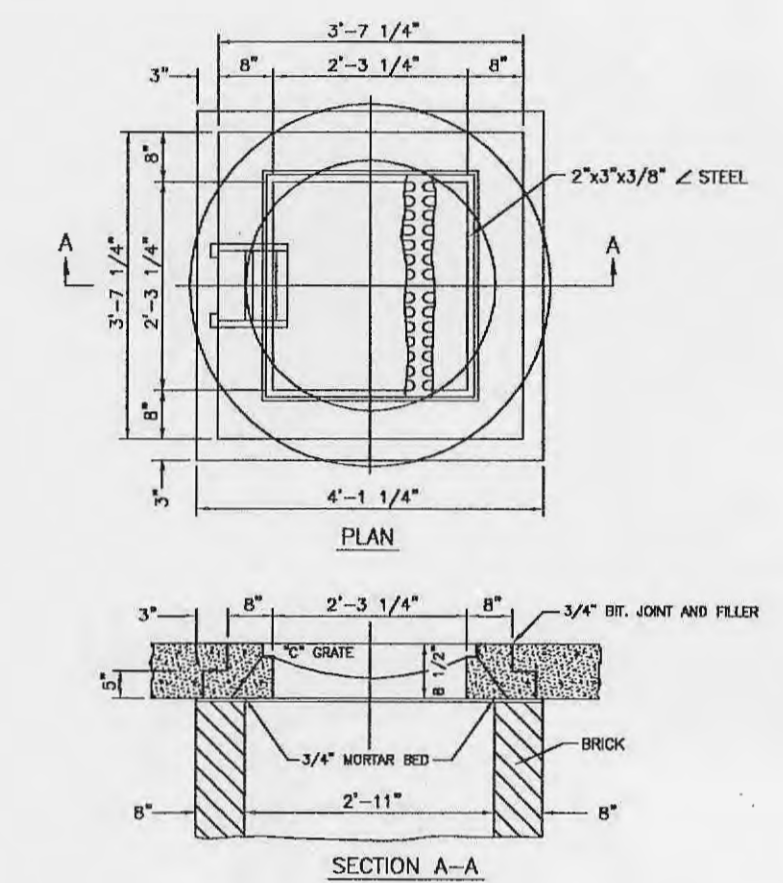
**10 TRASH ENCLOSURE**  
SCALE: N.T.S. REF. DWG.



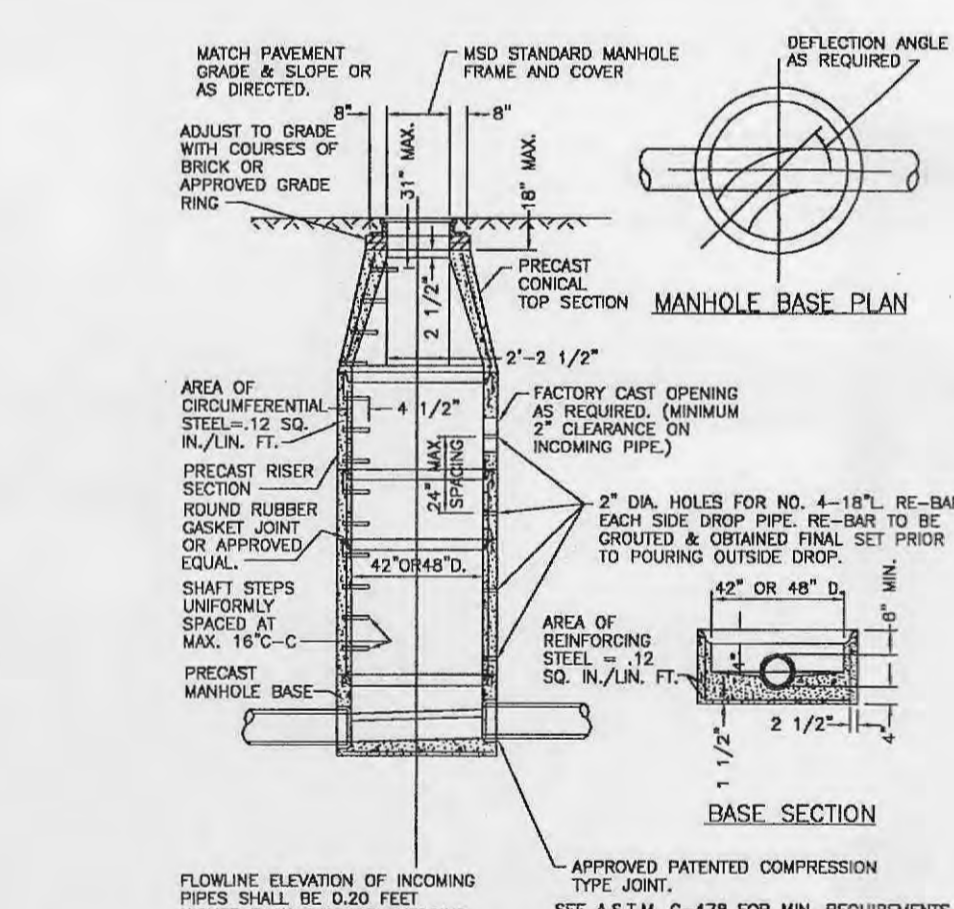
**9 2-GRATE INLET W/SIDE INTAKE**  
SCALE: N.T.S. REF. DWG.



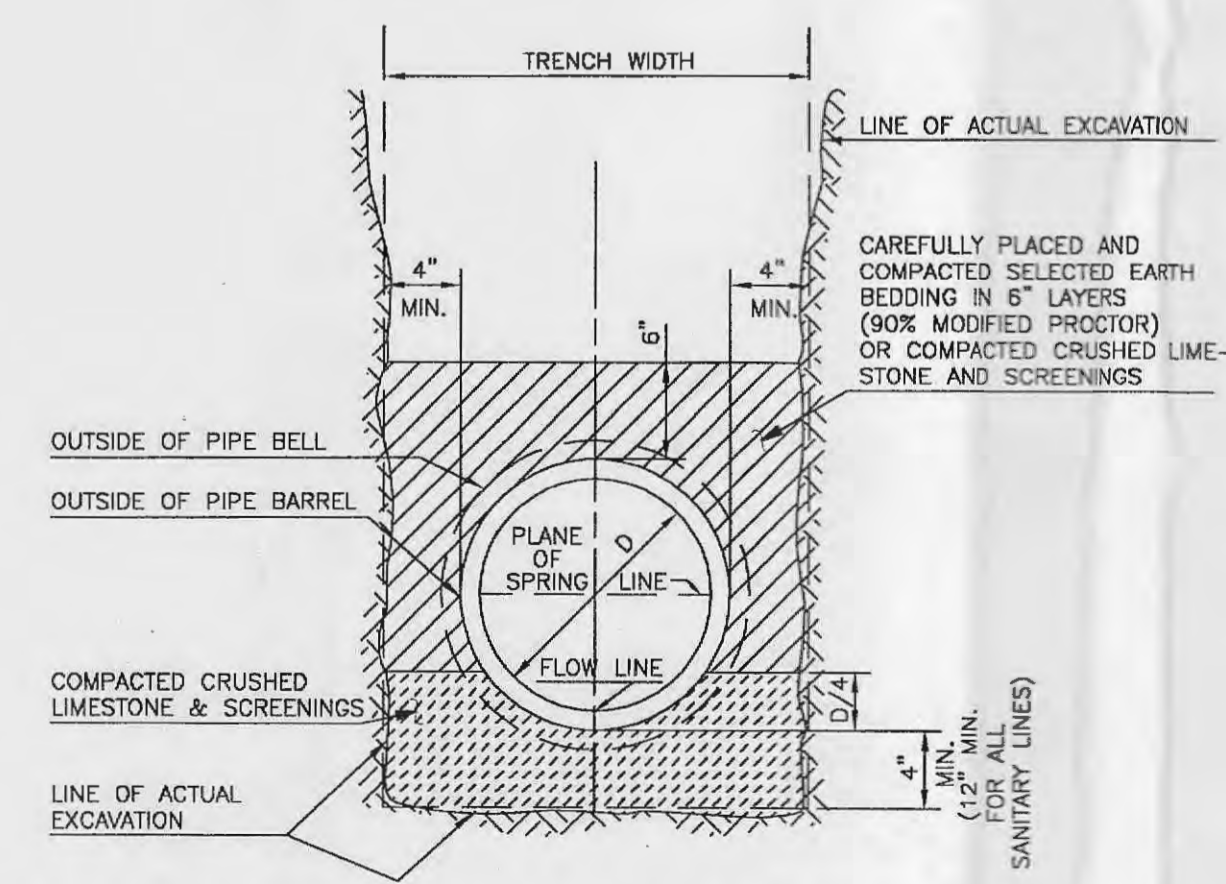
**8 HEAVY DUTY ASPHALT PAVEMENT DETAIL**  
SCALE: N.T.S. REF. DWG.



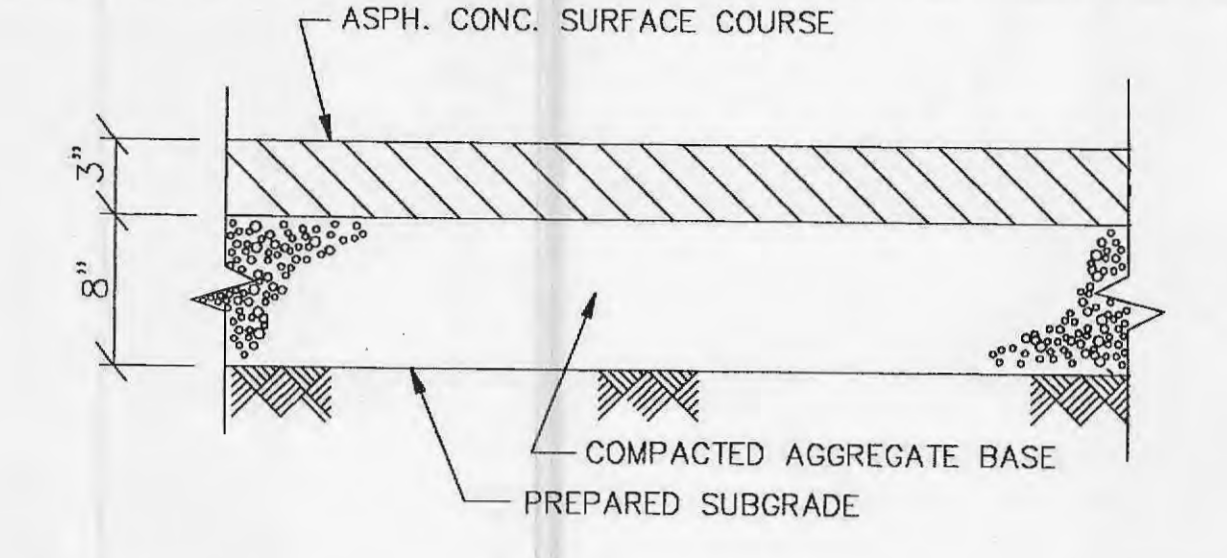
**7 2-GRATE INLET DETAIL**  
SCALE: N.T.S. REF. DWG.



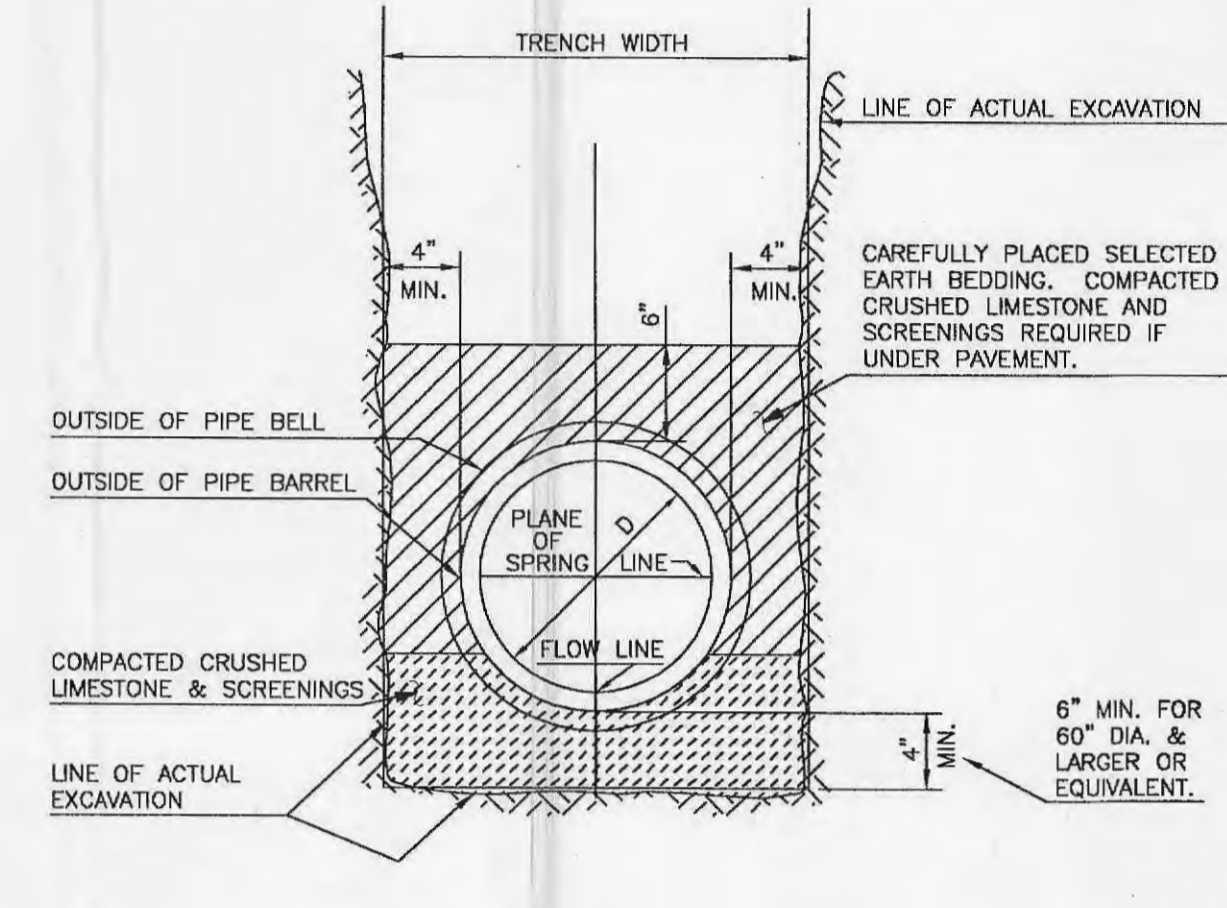
**6 MANHOLE DETAIL**  
SCALE: N.T.S. REF. DWG.



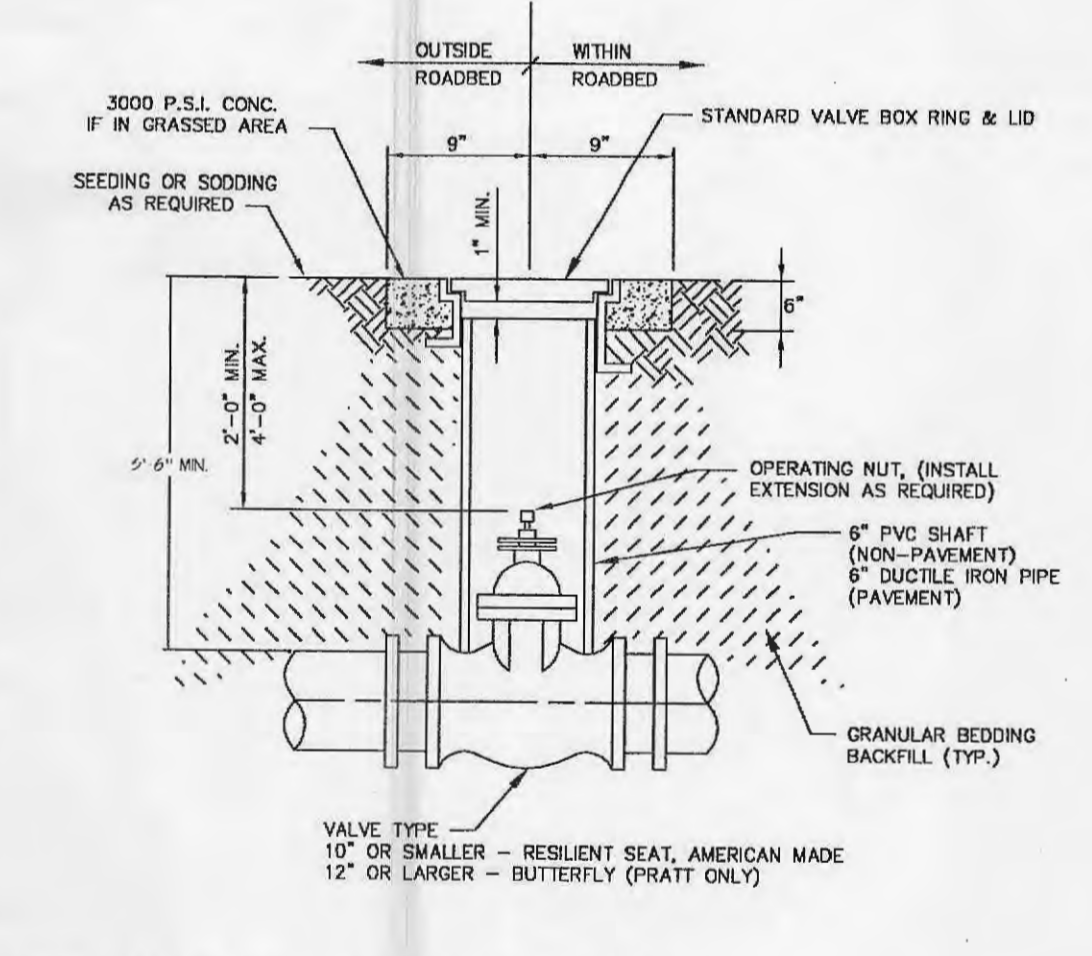
**5 PIPE BEDDING DETAIL (PVC)**  
SCALE: N.T.S. REF. DWG.



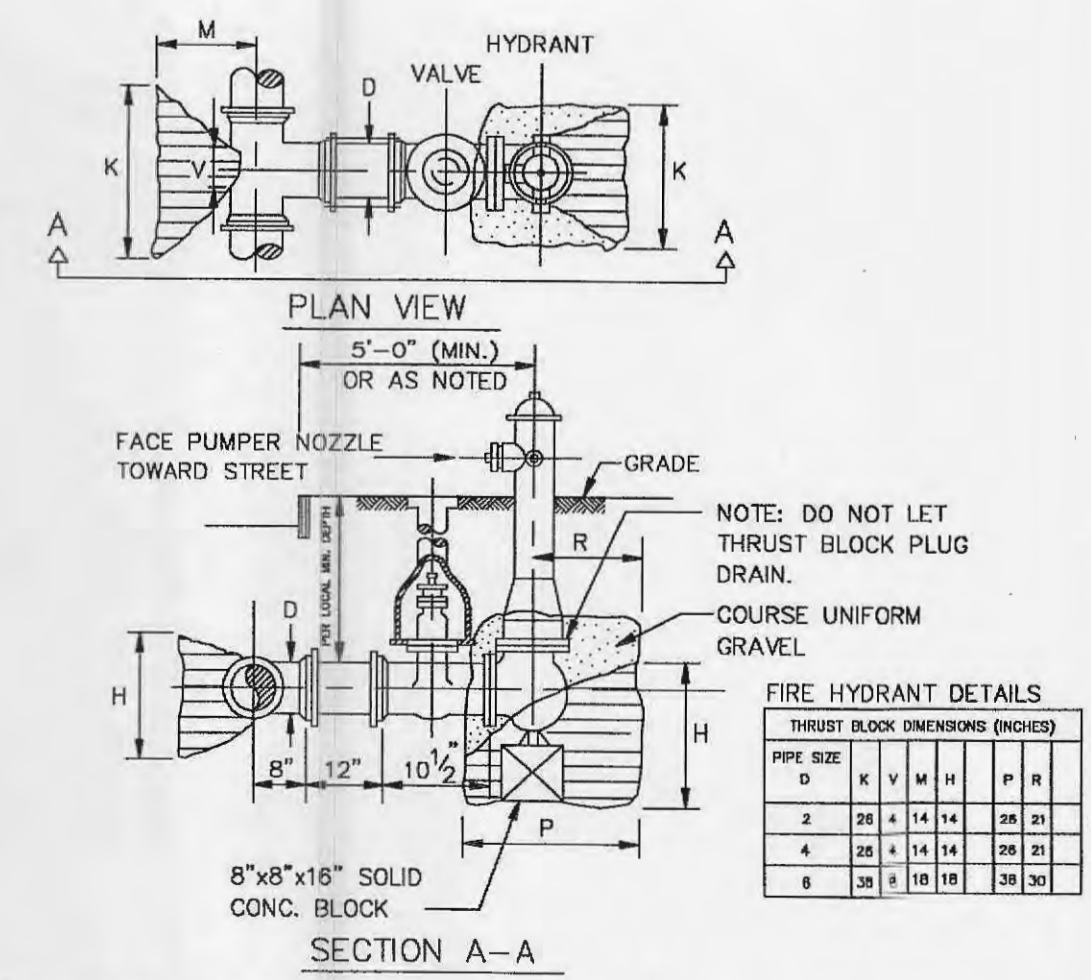
**4 LIGHT DUTY ASPHALT PAVEMENT DETAIL**  
SCALE: N.T.S. REF. DWG.



**3 PIPE BEDDING DETAIL (RCP)**  
SCALE: N.T.S. REF. DWG.



**2 WATER VALVE DETAIL**  
SCALE: N.T.S. REF. DWG.



**1 FIRE HYDRANT DETAIL**  
SCALE: N.T.S. REF. DWG.

**REVISIONS**

DATE	DESCRIPTION
9/26/04	ISSUE FOR BIDDING
12/29/04	ADD COMMENTS
1/2/05	CITY OF OTTAWA COMMENTS
1/26/05	ADD COMMENTS
2/1/05	CITY OF OTTAWA COMMENTS
2/1/05	ADD COMMENTS
2/1/05	CITY OF OTTAWA COMMENTS
2/1/05	ADD COMMENTS

DEVELOPER/OWNER:  
**WINGHAVEN LAND INVESTORS, LLC**  
C/O MC EAGLE DEVELOPMENT COMPANY  
1001 BOARDWALK SPRINGS PLACE  
OFF FALLON, MO 63366  
(636) 561-9300

STATE OF MISSOURI  
JAMES T. ROTH  
NUMBER  
E-2000150654  
SEAL OF PROFESSIONAL ENGINEER

**CALEDONIA**  
HIGHWAY 40/61 AND WINGHAVEN  
OFF FALLON, MO 63366

planning • engineering • surveying • landscape architecture  
**Cole and Associates Incorporated**  
10777 sunset office dr. suite 10  
saint louis, missouri 63127  
p: 314.984.9887 f: 314.984.0567

DESIGNED BY: PMH  
DRAWN BY: PMH  
CHECKED BY: KER/JTR  
DATE: 11/5/04  
Job Number: 03-309  
Sheet Number: C10.0