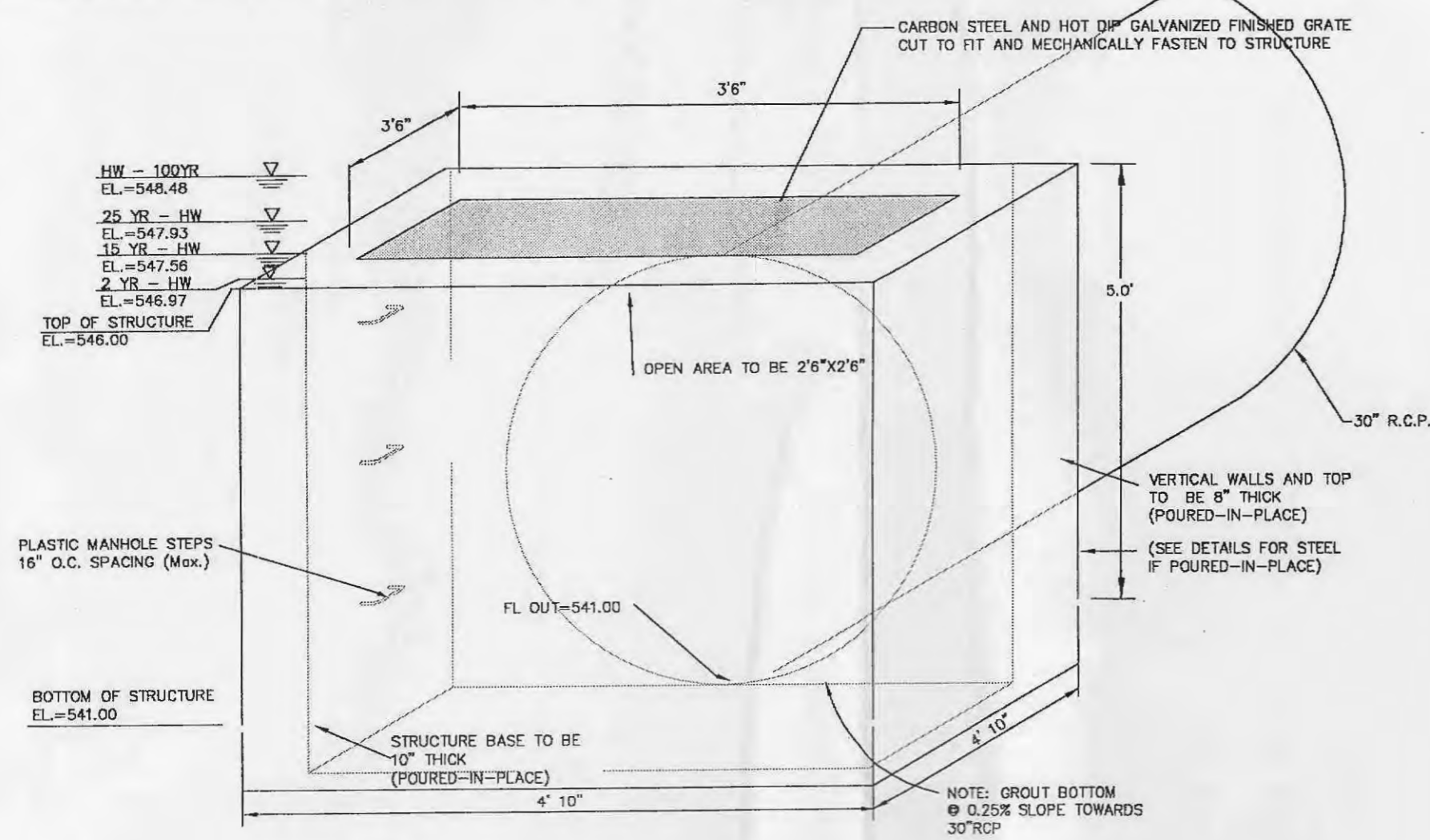
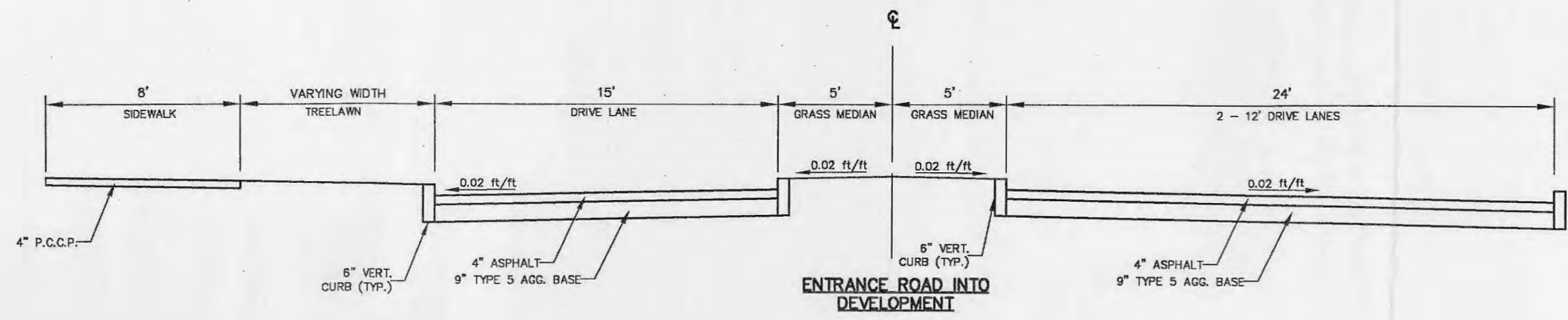


DETENSION BASIN OUTFALL STRUCTURE DETAIL

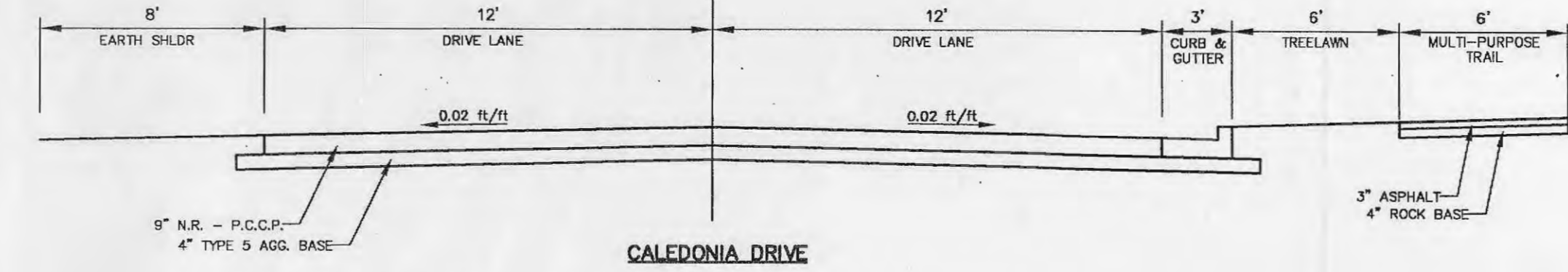


OUTFALL STRUCTURE #1

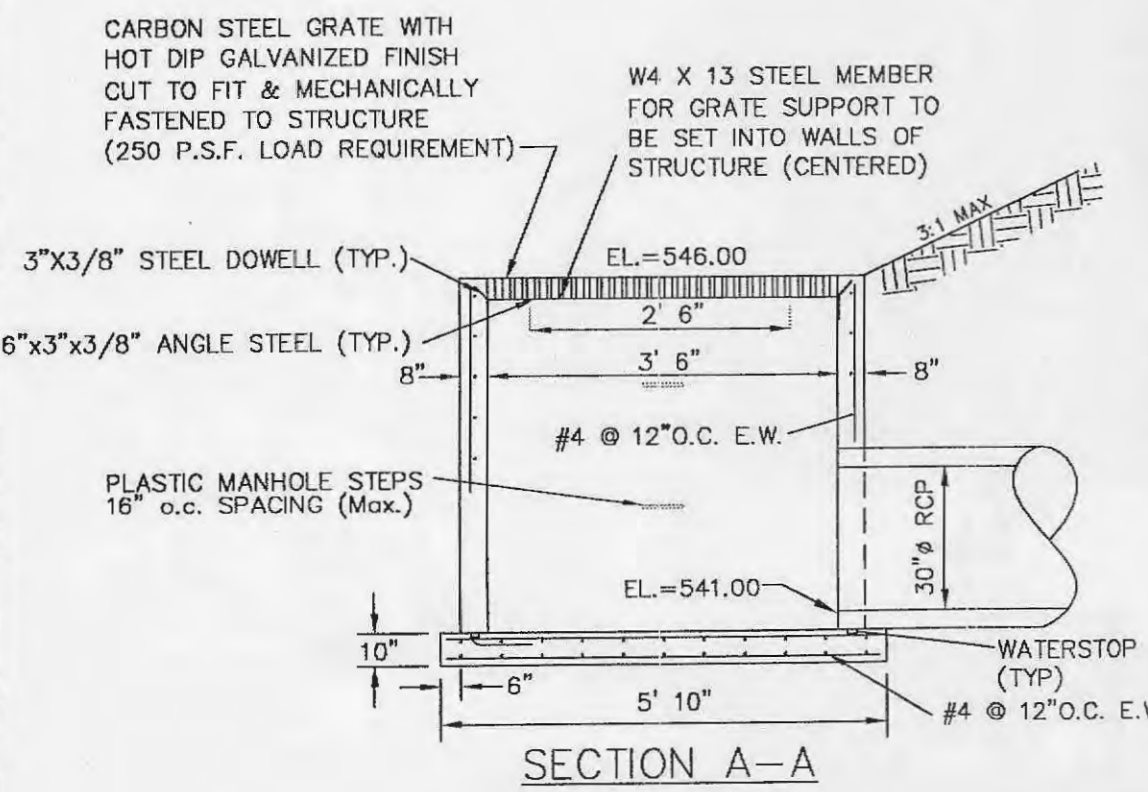
SCALE: N.T.S. REF. DWG. C4-C5



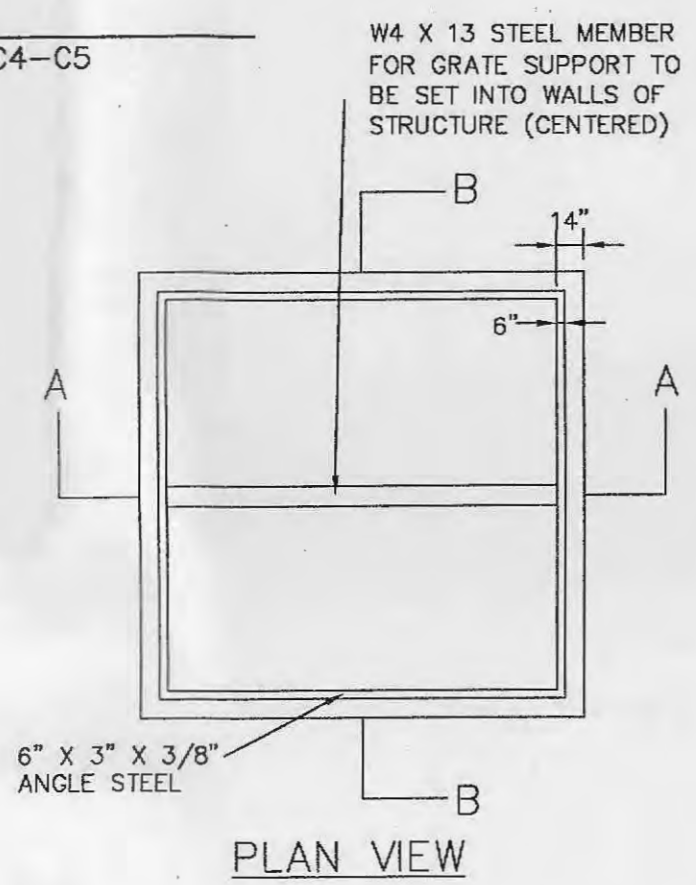
FOR REFERENCE ONLY
NOT FOR CONSTRUCTION



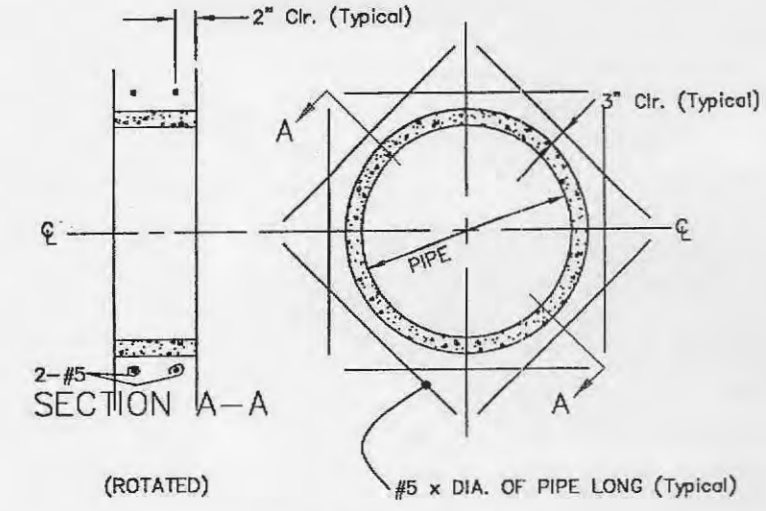
IMPROVEMENT PLANS SUBMITTED AS SEPARATE PROJECT
CONSTRUCTION OF ROAD IMPROVEMENTS AND DEVELOPMENT
TO OCCUR DURING SAME PHASE.



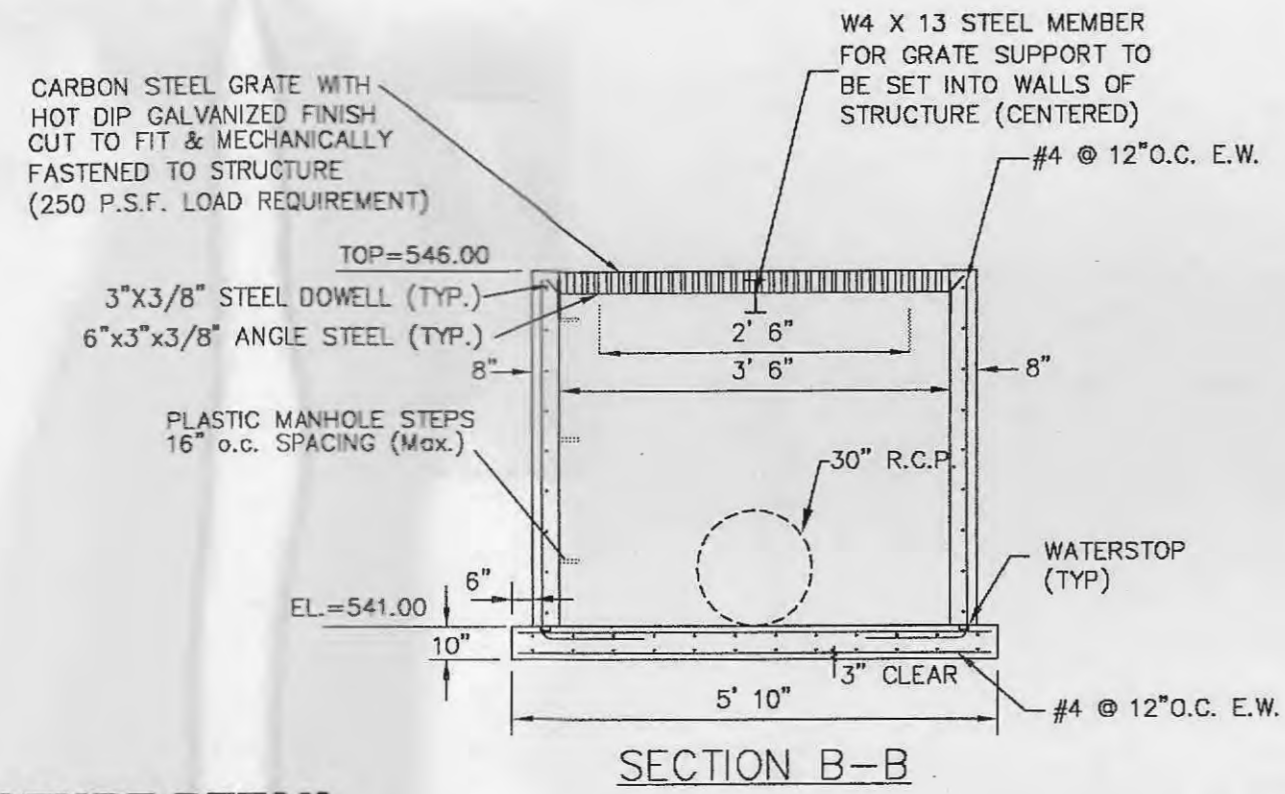
SECTION A-A



PLAN VIEW



REINFORCING
@ DISCHARGE PIPES
SCALE: N.T.S.



SECTION B-B

3 OUTFALL STRUCTURE DETAIL

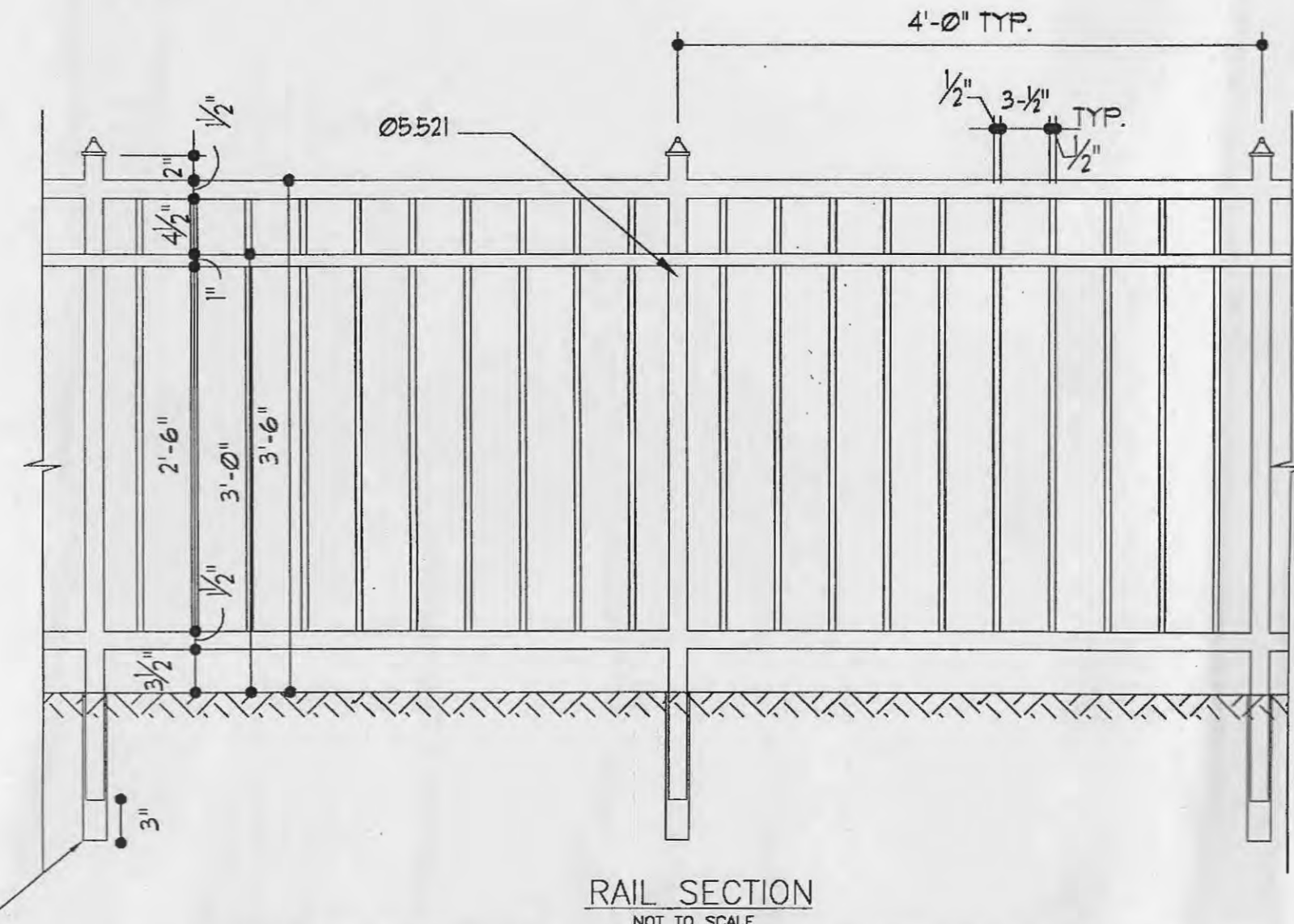
SCALE: N.T.S. REF. DWG.
NOTE: CONTRACTOR TO PROVIDE SHOP DRAWINGS FOR APPROVAL BY THE ENGINEER.



Bottom Left:
Rhodes Bench
Sizes 4' to 10' lengths. Castings in
aluminum, iron and bronze. Options:
Metal slat seat, custom sizes.

1 BENCH DETAIL

SCALE: N.T.S. REF. DWG.

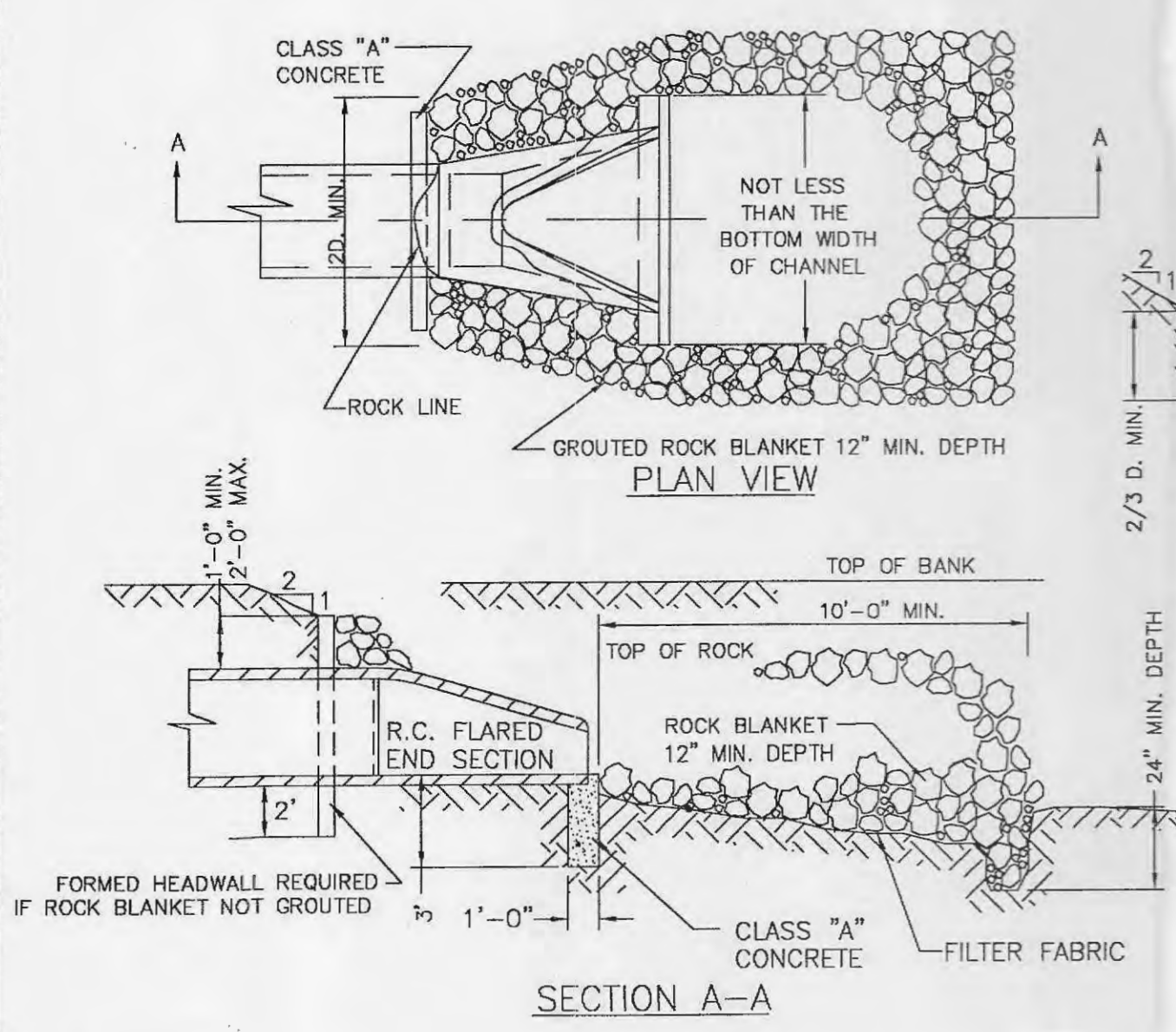


1 FENCE DETAIL

SCALE: N.T.S. REF. DWG.

2 FLARED END SECTION DETAIL

SCALE: N.T.S. REF. DWG.



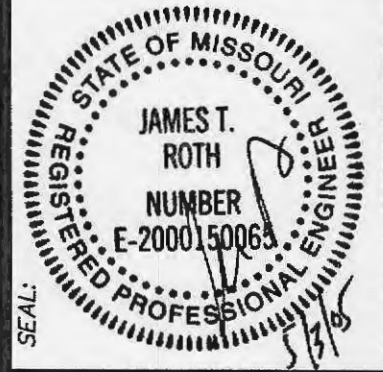
SECTION A-A

DATE: Apr 20, 2005 11:05am
DRAWING: S:\JOBS\Job2003\03-309\LD3_03-309.dwg C:\plans-photos1.dwg

NO.	DATE	DESCRIPTION
1	9/29/04	ISSUE FOR PERMITS
2	1/27/05	REVISIONS
3	1/27/05	REVISIONS
4	1/27/05	REVISIONS
5	2/17/05	REVISIONS
6	2/17/05	REVISIONS
7	2/17/05	REVISIONS
8	2/17/05	REVISIONS
9	2/17/05	REVISIONS
10	2/17/05	REVISIONS

DEVELOPER/OWNER:
WINGHAVEN LAND INVESTORS, L.L.C.
C/O MC EAGLE DEVELOPMENT COMPANY
1001 BOARDWALK SPRINGS PLACE
OFFFALLON, MO 63366
(636) 561-9300

THE PROFESSIONAL ENGINEER'S SEAL AND SIGNATURE ARE REQUIRED FOR ALL PLANS AND SPECIFICATIONS. THE ENGINEER'S RESPONSIBILITY IS LIMITED TO THE DESIGN AND CONSTRUCTION OF THE PROJECT TO WHICH THIS SEAL APPLIES. THE ENGINEER DOES NOT GUARANTEE THE ACCURACY OF THE INFORMATION PROVIDED TO HIM BY OTHERS. THE ENGINEER'S LIABILITY IS LIMITED TO THE PROJECT TO WHICH THIS SEAL APPLIES.



CALEDONIA
HIGHWAY 40/61 AND WINGHAVEN
OFFFALLON, MO 63366

DETAIL SHEET

planning • engineering • surveying • landscape architecture

Gole
and ASSOCIATES
INCORPORATED

10777 sunset office dr. suite 10
salt lake city, utah 84127
p. 314 984 9887 f. 314 984 0587

DESIGNED BY: PMH
DRAWN BY: PMH
CHECKED BY: KER/JTR
DATE: 11/5/04

Job Number
03-309
Sheet Number
C11.0