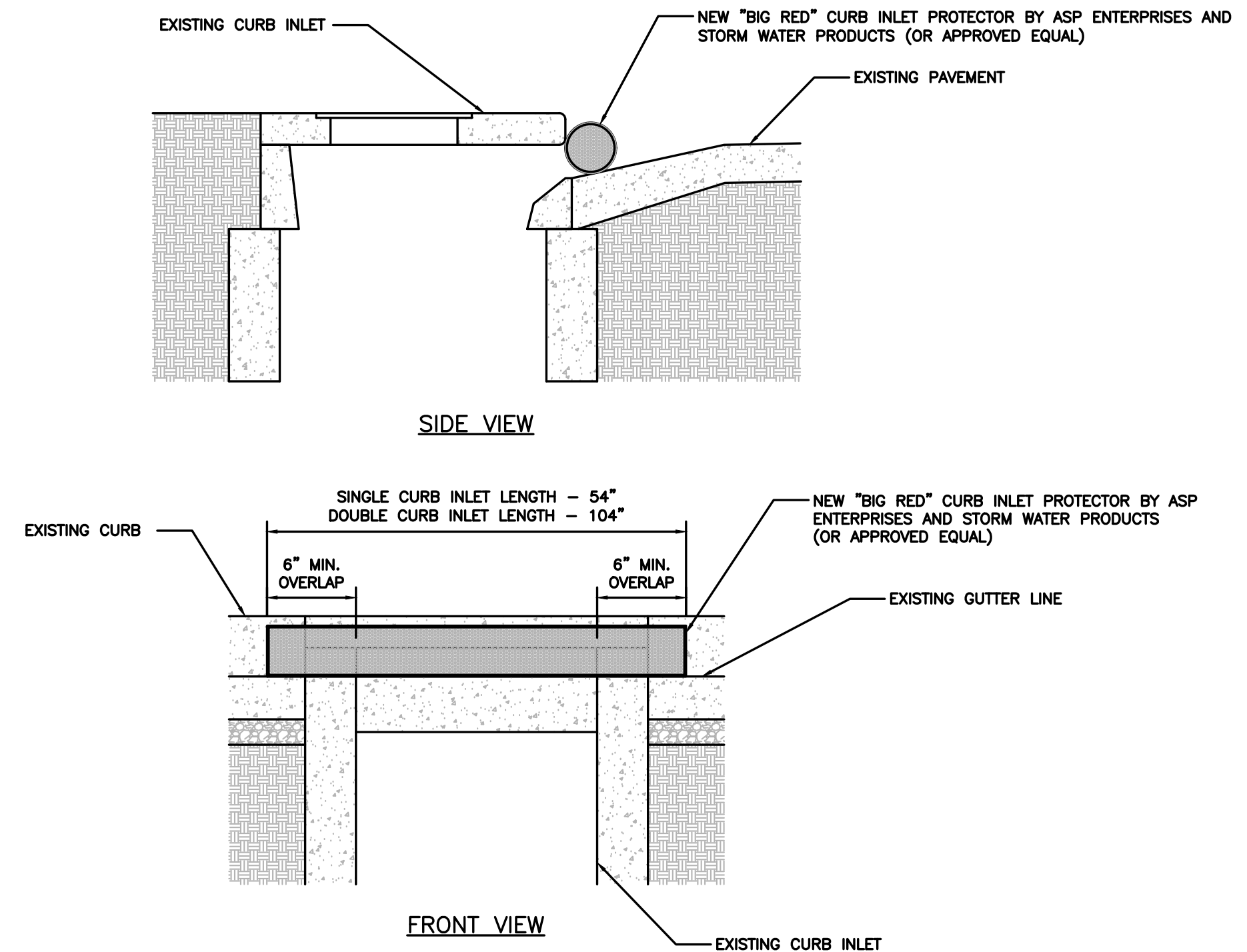


St. Charles County
Erosion & Sediment Controls
Standard Drawings

**CONSTRUCTION
TRAFFIC WASH-OFF
PAD**

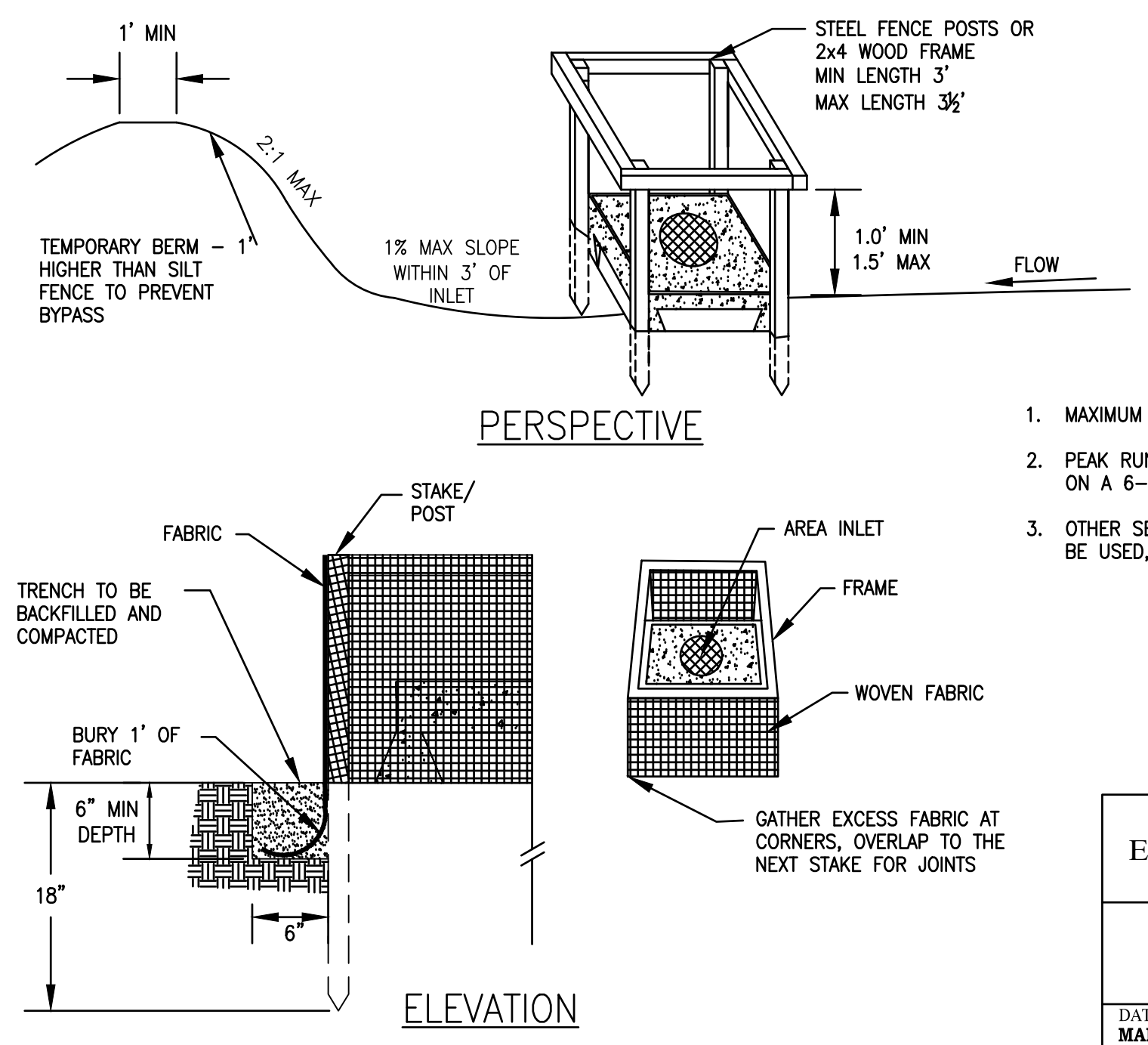
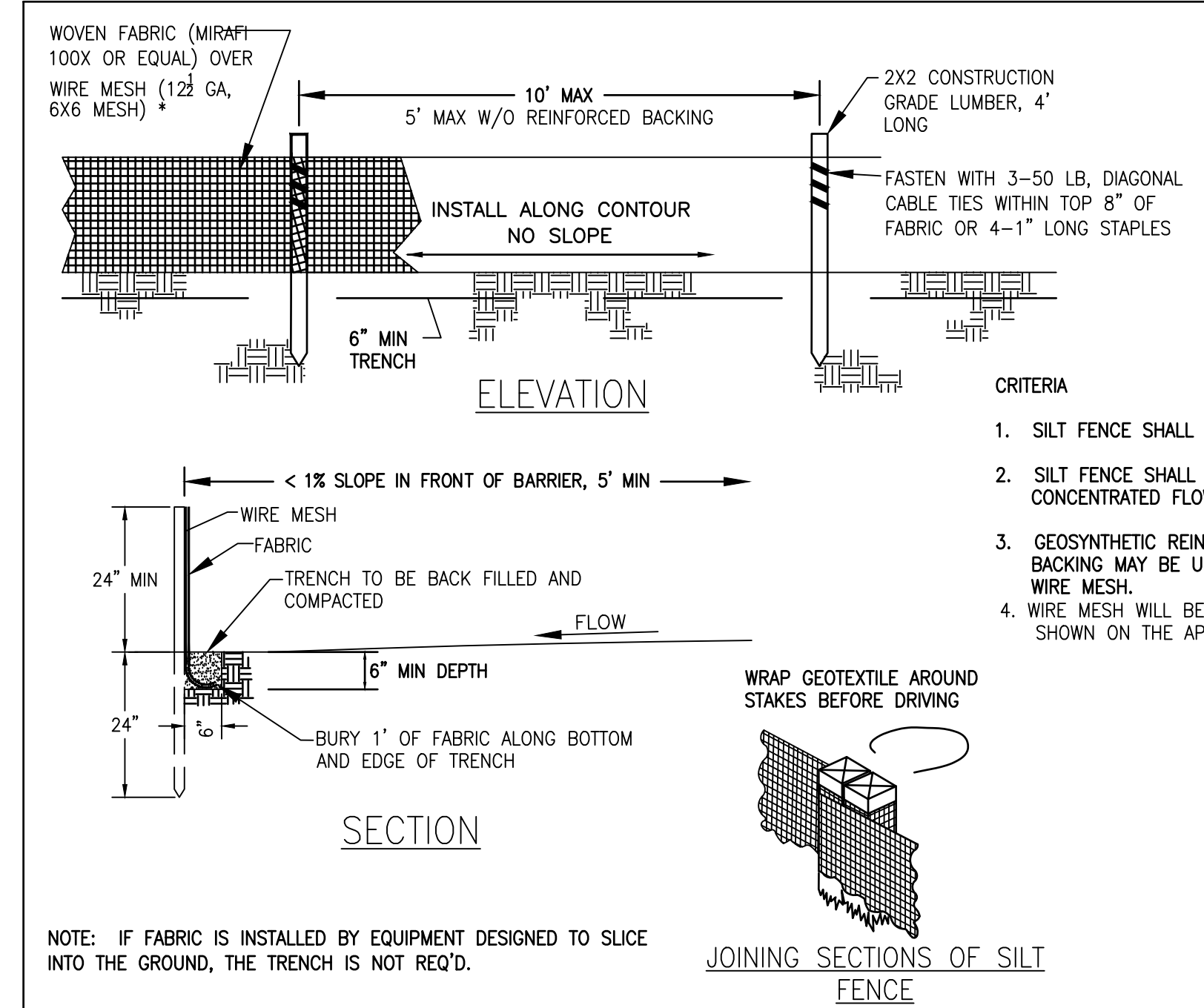
DATE: APRIL 2008 DRAWING: ESC-4



DETAIL NOTES:

- CURB INLET PROTECTOR SHALL BE PLACED IN FRONT OF THE CURB INLET LAYING IN THE CONTOUR WITH A MINIMUM 6" OVERLAP PAST THE EDGE OF THE INLET MOUTH.
- CURB INLET PROTECTOR SHALL BE INSTALLED AND MAINTAINED PER MANUFACTURER'S SPECIFICATIONS.

"BIG RED" CURB INLET PROTECTION (BR)



St. Charles County
Erosion & Sediment Controls
Standard Drawings

**AREA INLET
PROTECTION
FABRIC DROP**

DATE: MARCH 2008 DRAWING: ESC-14

DEVELOPER/OWNER:
40DD SPORTS, LLC
1 ASPEN CIRCLE DRIVE
INNSBROOK, MO 6390

CIVIL ENGINEERS
CORPORATE
ENGINEERING
DESIGN
MATTHEW G. STEUBER
PE-2019017899
NO. OF SHEETS: 10
DATE: 05/19/2021

CALEDONIA CENTER PHASE 2
O'FALLON, MO

SWPPP DETAILS

ST. CHARLES
1520 S. Fifth Street
Suite 307
St. Charles, MO 63303
636.970.2500
636.970.2500 FAX
CIVIL ENGINEERING / SURVEYING / PLANNING / LANDSCAPE ARCHITECTURE
Coles & Associates, Inc. is a Missouri Corporation. All other designations, trade names & product names are registered trademarks of their respective owners.

COLE

DESIGN/CALC BY: MGS
DRAWN BY: MGS
CHECKED BY: EWM
DRAWING SCALE: AS SHOWN
DATE: 05/19/2021
Job Number: 21-0017
Sheet Number: C9.2

USER: Matt Steuber TAB: C9.2 SWPPP DETAILS
DATE: May 19, 2021 12:07:28 PM
DRAWING: S:\JOBS\Job2021\21-0017\CAD\Drawings\Pool\Sheet\0_Plan_SWPPP_21-0017.dwg