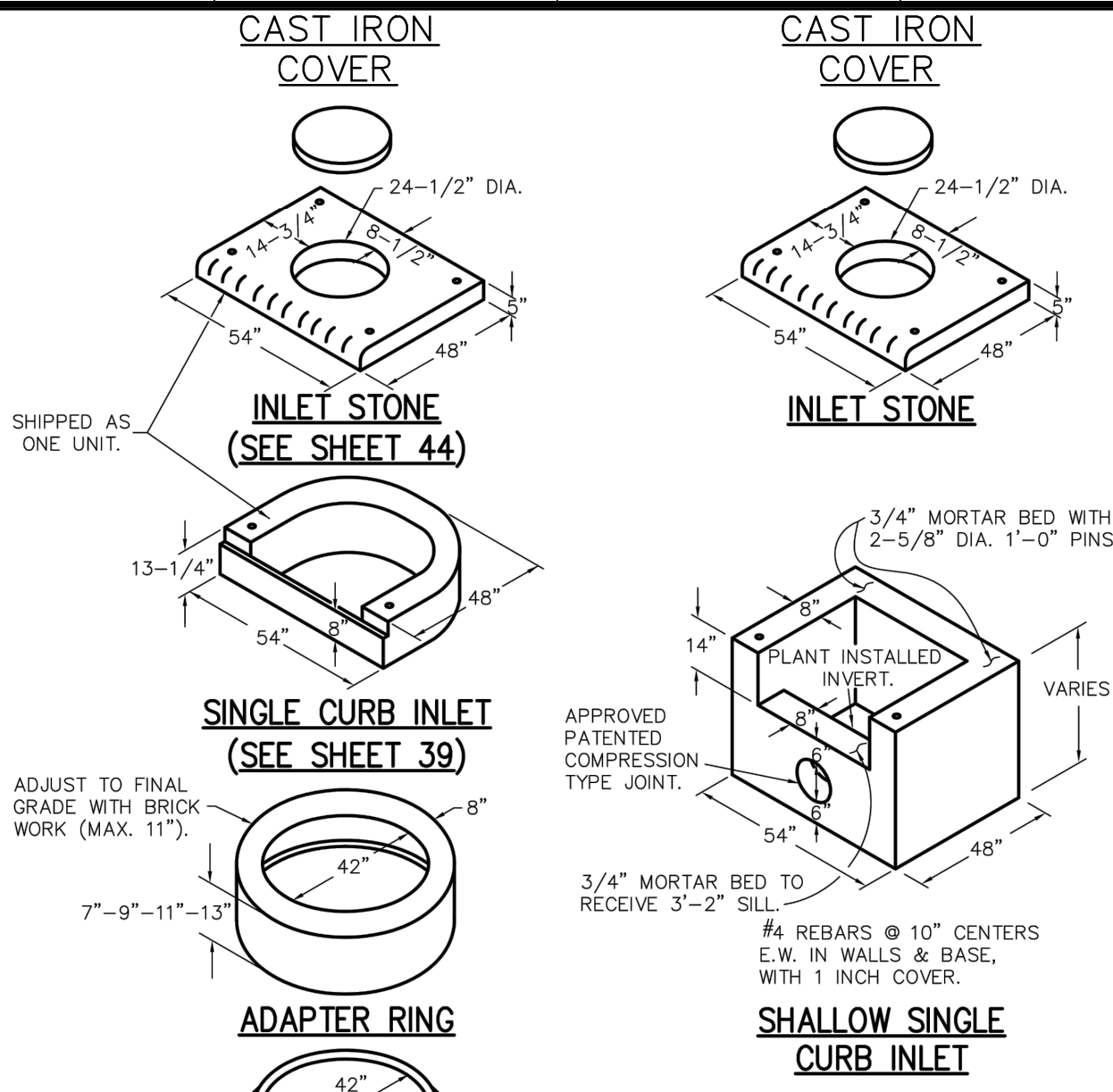


NOTES:

- 1) THE MINIMUM INSIDE DIAMETER FOR THE BASE AND RISER SECTIONS SHALL BE 42 INCHES FOR 8 INCH DIAMETER SANITARY SEWERS AND ALL STORM SEWERS. THE MINIMUM INSIDE DIAMETER FOR SANITARY SEWERS LARGER THAN 8 INCH DIAMETER IS 48 INCHES. MANHOLE SHALL MEET ASTM C-478 REQUIREMENTS.
- 2) FLOWLINE ELEVATION OF INCOMING PIPES SHALL BE 1 INCH HIGHER THAN THAT OF OUTGOING PIPE.
- 3) PIPE SIZES LARGER THAN 24 INCH DIAMETER MAY REQUIRE MANHOLE DIAMETERS OF 60 INCH, 72 INCH OR 96 INCH AS DETERMINED BY OUTSIDE DIAMETERS AND ORIENTATIONS OF CONNECTING PIPES.
- 4) ECCENTRIC CONES SHALL BE USED ON DIAMETERS 60 INCH AND LARGER. STEPS SHALL EXTEND DOWN VERTICAL WALL OF CONE.
- 5) PRIOR TO FABRICATION, SHOP DRAWINGS SHALL BE SUBMITTED TO THE DISTRICT FOR APPROVAL OF MANHOLES ON PIPE DIAMETERS LARGER THAN 24 INCH AND ALSO FOR THOSE STRUCTURES WITH A DROP PIPE CONNECTION.

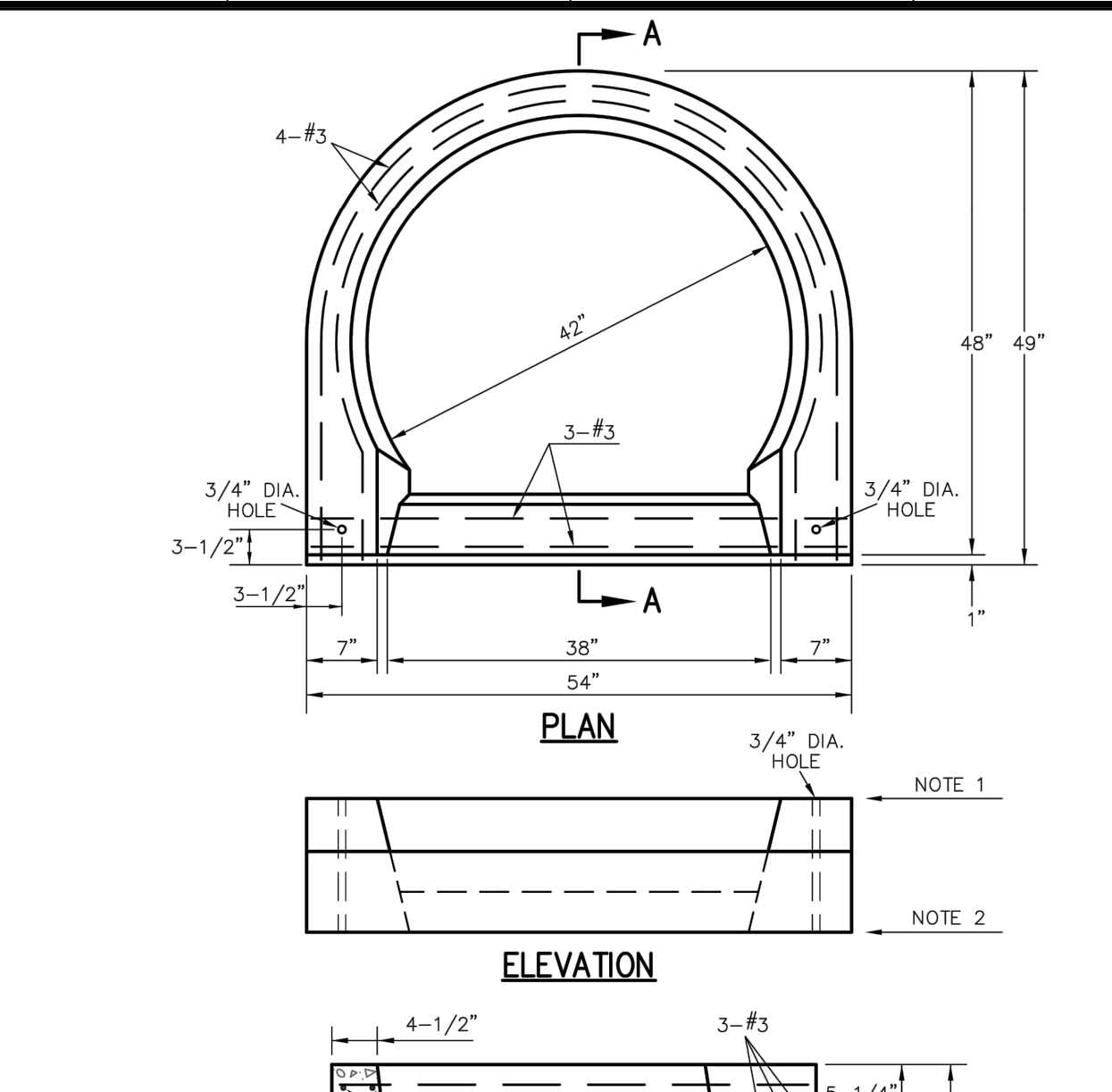
PRECAST CONCRETE MANHOLE	METROPOLITAN ST. LOUIS SEWER DISTRICT Standard Details of Sewer Construction		
Dr. WSH/SAM Ch. J.C.K.	2009	SHEET 21 (REV)	



NOTES:

- 1) SET STANDARD INLET STONE IN 3/4" MORTAR BED AND DOWEL WITH 5/8" DIA. 1'-0" LONG PINS AND GROUT.
- 2) RAISE TO FINAL GRADE WITH COURSES OF BRICK AND SET THE UNIT TO BASE WITH 3/4" MORTAR BED.
- 3) THIS UNIT IS TO BE USED WITH 42 INCH I.D. POURED-IN-PLACE CONCRETE OR BRICK BASE.
- 4) 5000 P.S.I. CONCRETE IS REQUIRED.

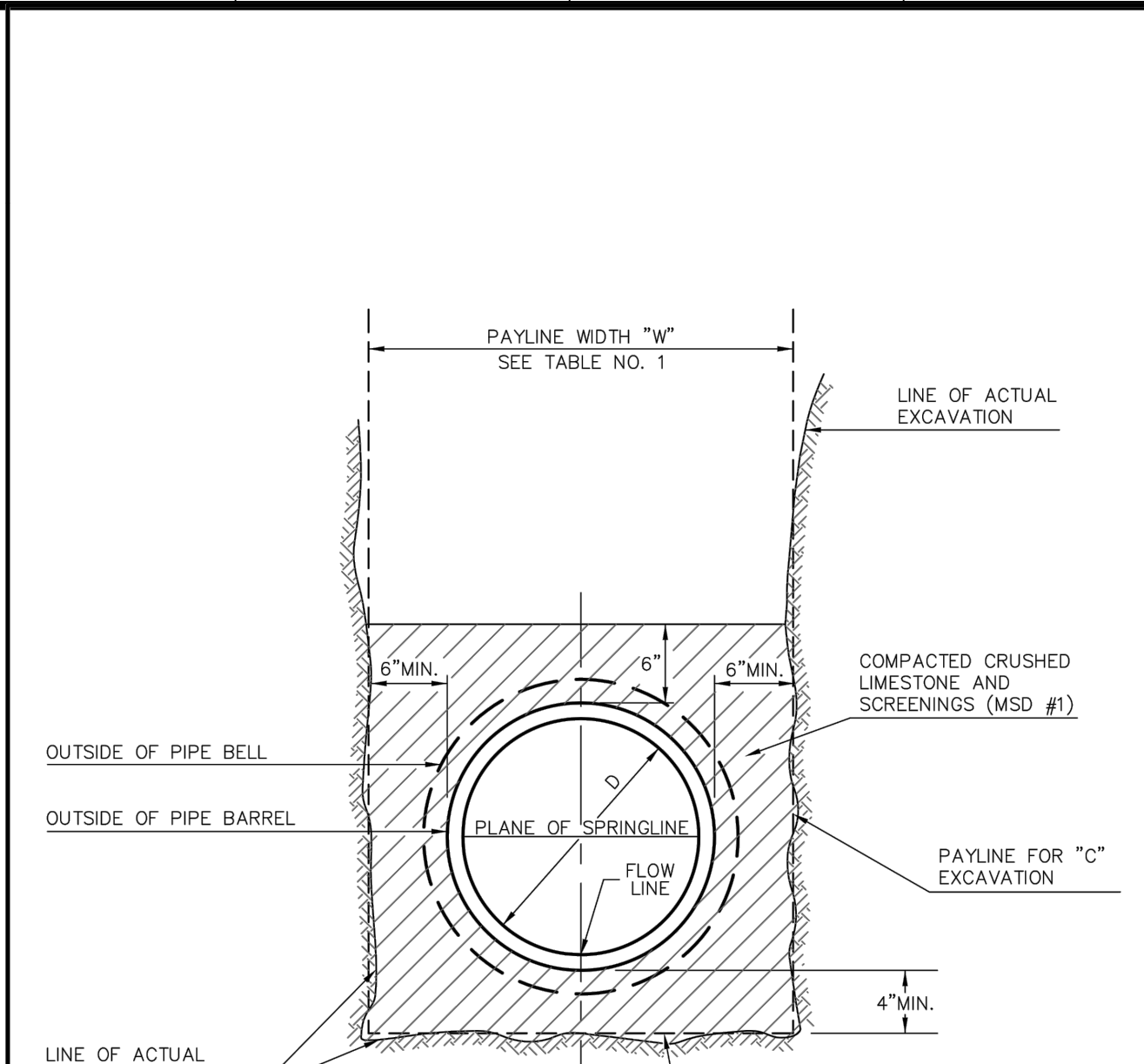
SINGLE STREET INLETS PRECAST CONCRETE	METROPOLITAN ST. LOUIS SEWER DISTRICT Standard Details of Sewer Construction		
Dr. JLG/SAM Ch. J.C.K.	2009	SHEET 36	



NOTES:

- 1) SET STANDARD INLET STONE IN 3/4" MORTAR BED AND DOWEL WITH 5/8" DIA. 1'-0" LONG PINS AND GROUT.
- 2) RAISE TO FINAL GRADE WITH COURSES OF BRICK AND SET THE UNIT TO BASE WITH 3/4" MORTAR BED.
- 3) THIS UNIT IS TO BE USED WITH 42 INCH I.D. POURED-IN-PLACE CONCRETE OR BRICK BASE.
- 4) 5000 P.S.I. CONCRETE IS REQUIRED.

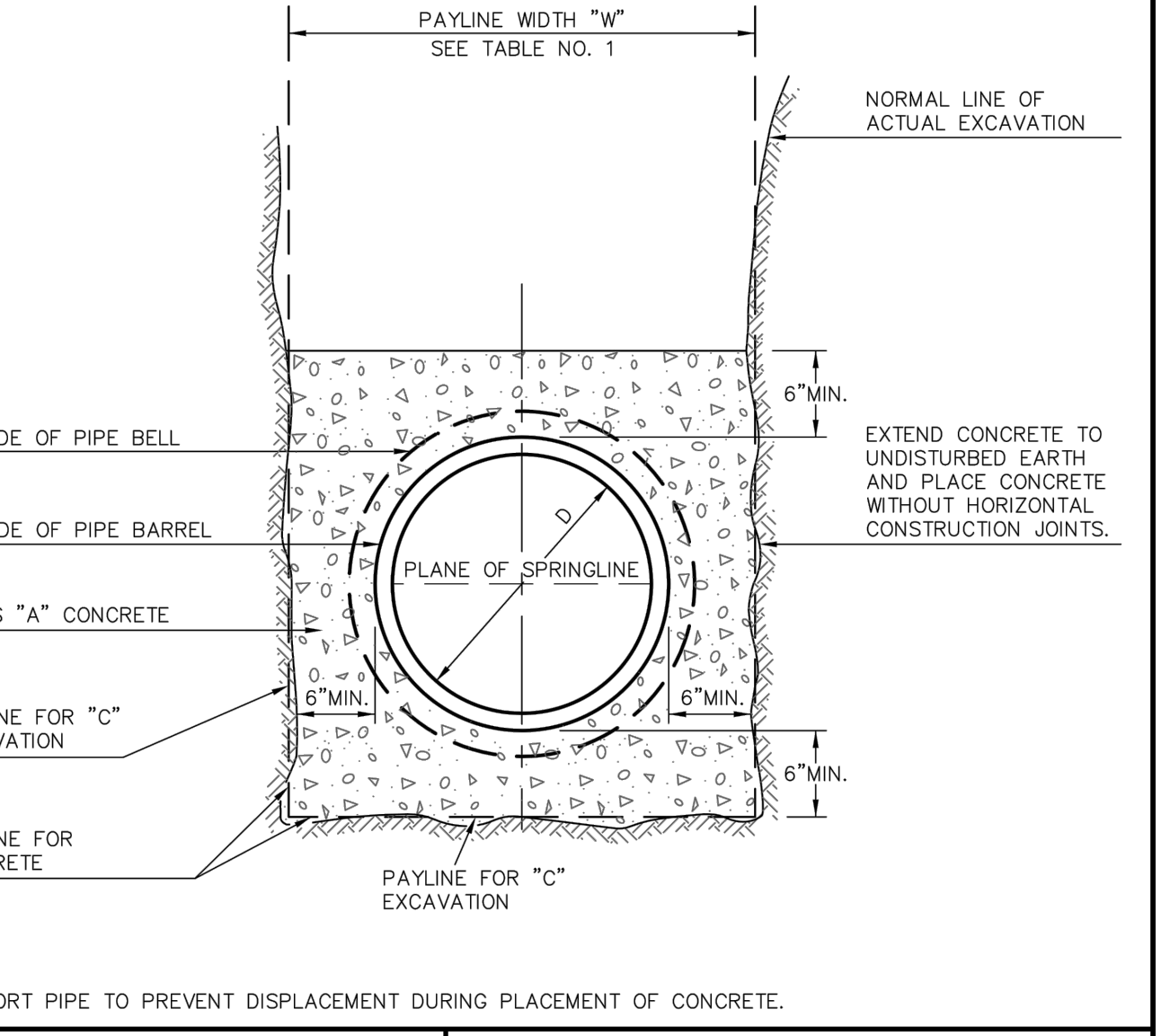
PRECAST CONCRETE UNIT FOR SINGLE STREET INLET	METROPOLITAN ST. LOUIS SEWER DISTRICT Standard Details of Sewer Construction		
Dr. WSH/SAM Ch. J.C.K.	2009	SHEET 39	



NOTES:

- 1) THE MINIMUM INSIDE DIAMETER FOR THE BASE AND RISER SECTIONS SHALL BE 42 INCHES FOR 8 INCH DIAMETER SANITARY SEWERS AND ALL STORM SEWERS. THE MINIMUM INSIDE DIAMETER FOR SANITARY SEWERS LARGER THAN 8 INCH DIAMETER IS 48 INCHES. MANHOLE SHALL MEET ASTM C-478 REQUIREMENTS.
- 2) FLOWLINE ELEVATION OF INCOMING PIPES SHALL BE 1 INCH HIGHER THAN THAT OF OUTGOING PIPE.
- 3) PIPE SIZES LARGER THAN 24 INCH DIAMETER MAY REQUIRE MANHOLE DIAMETERS OF 60 INCH, 72 INCH OR 96 INCH AS DETERMINED BY OUTSIDE DIAMETERS AND ORIENTATIONS OF CONNECTING PIPES.
- 4) ECCENTRIC CONES SHALL BE USED ON DIAMETERS 60 INCH AND LARGER. STEPS SHALL EXTEND DOWN VERTICAL WALL OF CONE.
- 5) PRIOR TO FABRICATION, SHOP DRAWINGS SHALL BE SUBMITTED TO THE DISTRICT FOR APPROVAL OF MANHOLES ON PIPE DIAMETERS LARGER THAN 24 INCH AND ALSO FOR THOSE STRUCTURES WITH A DROP PIPE CONNECTION.

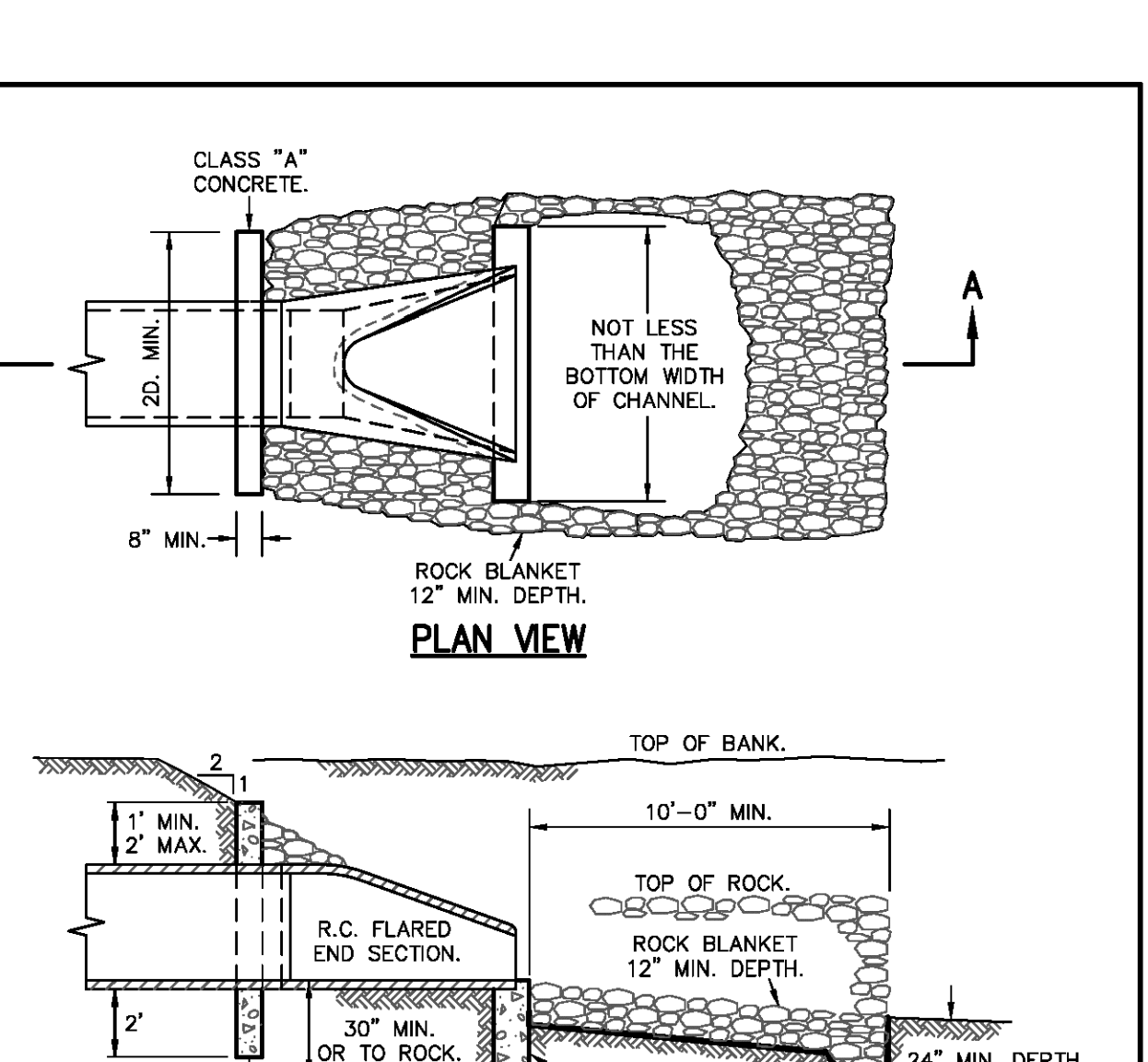
PIPE BEDDING CLASS "C" (FOR ALL 6" TO 18" PIPE EXCEPT REINFORCED CONCRETE PIPE)	METROPOLITAN ST. LOUIS SEWER DISTRICT Standard Details of Sewer Construction		
Dr. W.S.H. Ch. J.C.K.	2009	SHEET 4	



NOTES:

- 1) TO BE USED AT INTAKE AND DISCHARGE END OF PIPE. GRADE OF ROCK BLANKET TO BE ADJUSTED ACCORDINGLY.
- 2) GROUDED ROCK BLANKET OR CONC. HEADWALL REQUIRED.

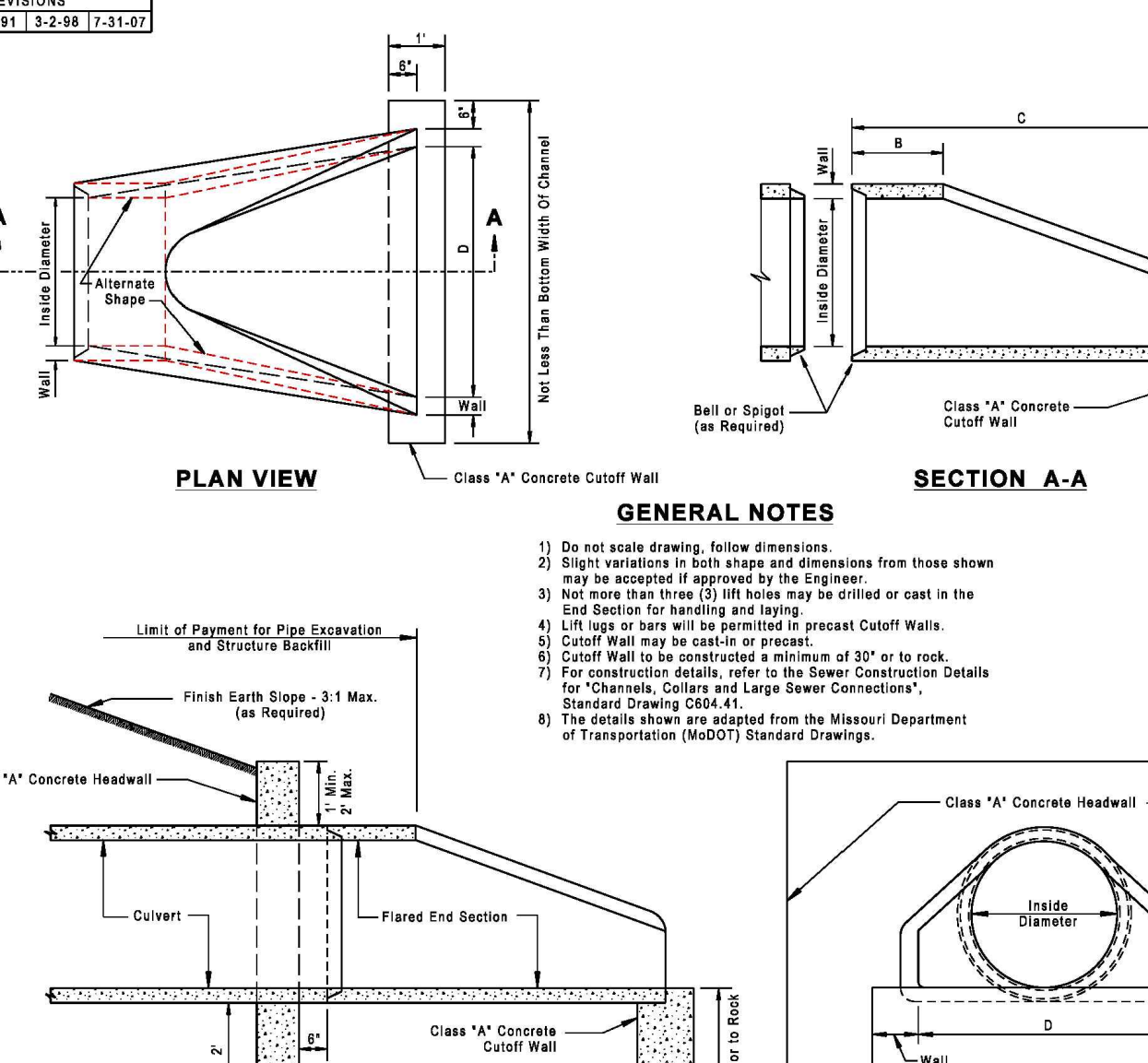
CONCRETE ENCASEMENT	METROPOLITAN ST. LOUIS SEWER DISTRICT Standard Details of Sewer Construction		
Dr. W.S.H. Ch. J.C.K.	2009	SHEET 8	



NOTES:

- 1) TO BE USED AT INTAKE AND DISCHARGE END OF PIPE. GRADE OF ROCK BLANKET TO BE ADJUSTED ACCORDINGLY.
- 2) GROUDED ROCK BLANKET OR CONC. HEADWALL REQUIRED.

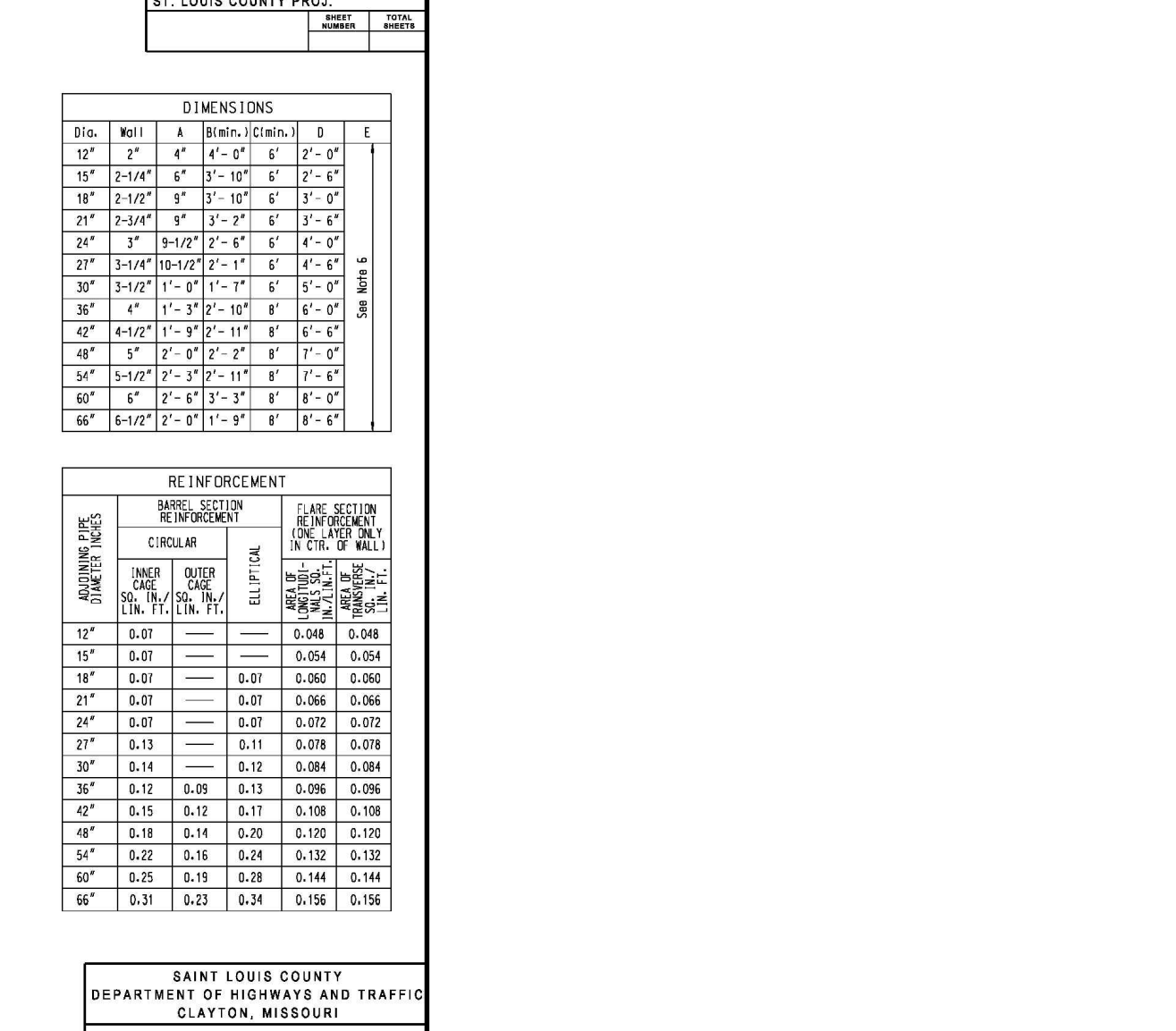
FLARED END SECTION	METROPOLITAN ST. LOUIS SEWER DISTRICT Standard Details of Sewer Construction		
Dr. WSH/SAM Ch. J.C.K.	2009	SHEET 61	



NOTES:

- 1) TO BE USED AT INTAKE AND DISCHARGE END OF PIPE. GRADE OF ROCK BLANKET TO BE ADJUSTED ACCORDINGLY.
- 2) GROUDED ROCK BLANKET OR CONC. HEADWALL REQUIRED.

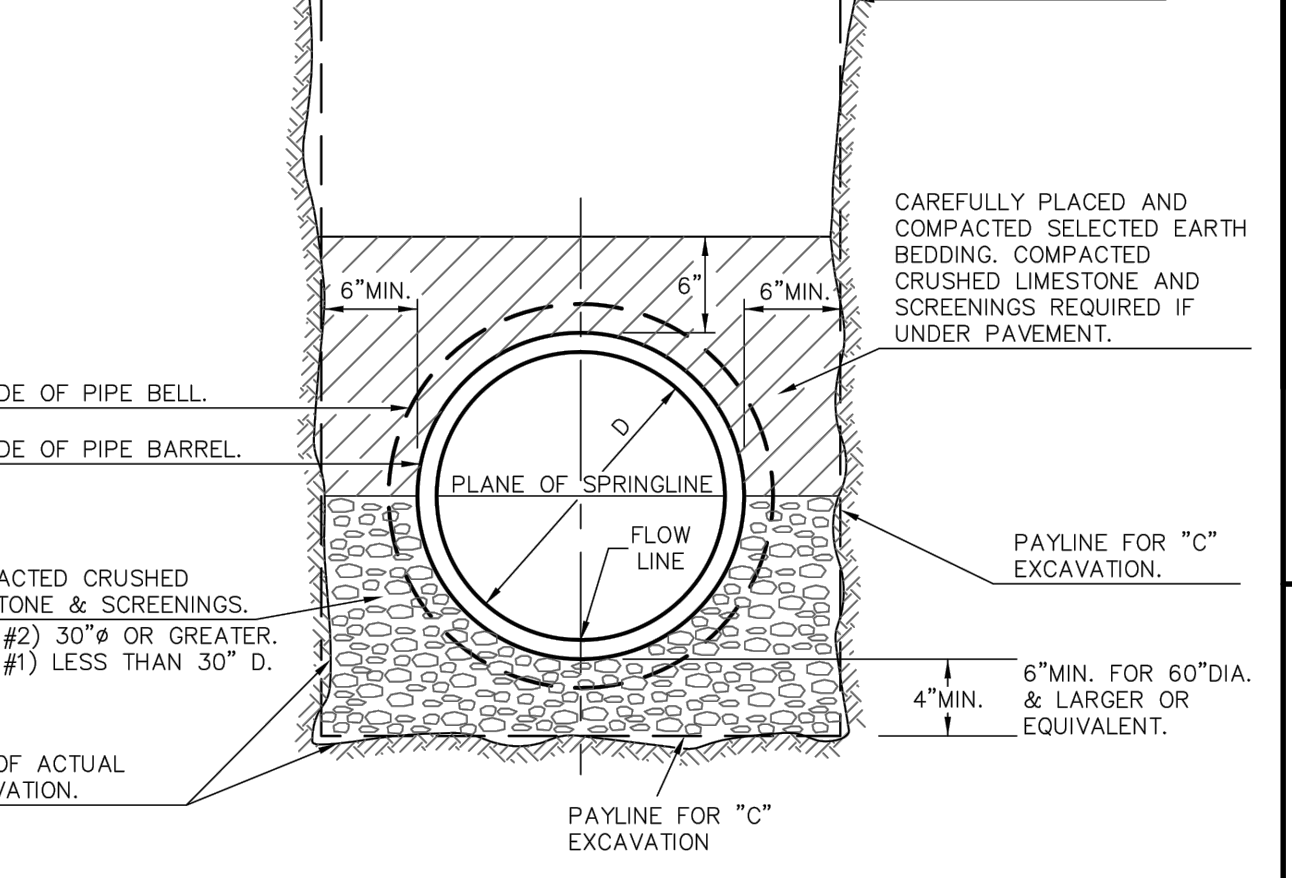
FLARED END SECTION	METROPOLITAN ST. LOUIS SEWER DISTRICT Standard Details of Sewer Construction		
Dr. WSH/SAM Ch. J.C.K.	2009	SHEET 61	



NOTES:

- 1) TO BE USED AT INTAKE AND DISCHARGE END OF PIPE. GRADE OF ROCK BLANKET TO BE ADJUSTED ACCORDINGLY.
- 2) GROUDED ROCK BLANKET OR CONC. HEADWALL REQUIRED.

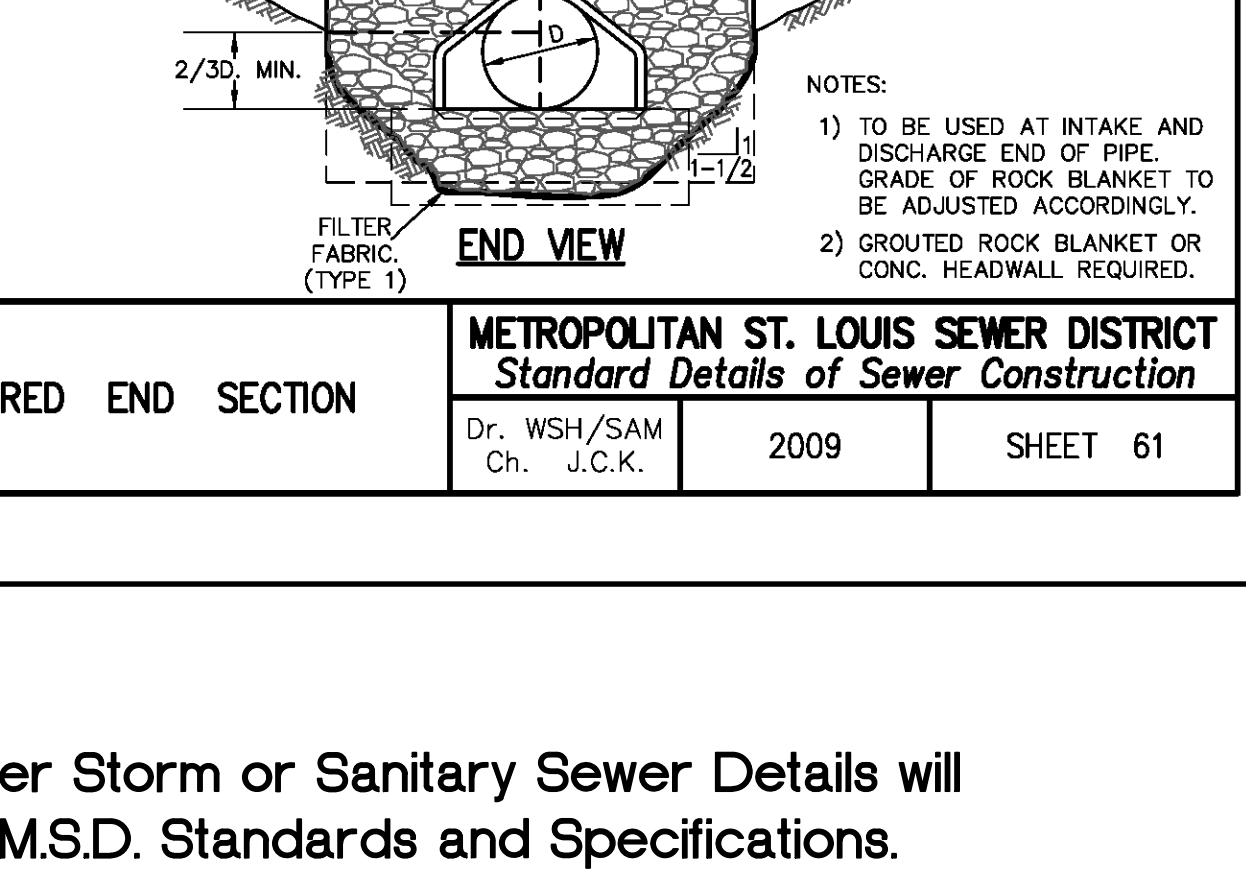
FLARED END SECTION (PRECAST CONCRETE)	METROPOLITAN ST. LOUIS SEWER DISTRICT Standard Details of Sewer Construction		
Dr. WSH/SAM Ch. J.C.K.	2009	SHEET 61	



NOTES:

- 1) TO BE USED AT INTAKE AND DISCHARGE END OF PIPE. GRADE OF ROCK BLANKET TO BE ADJUSTED ACCORDINGLY.
- 2) GROUDED ROCK BLANKET OR CONC. HEADWALL REQUIRED.

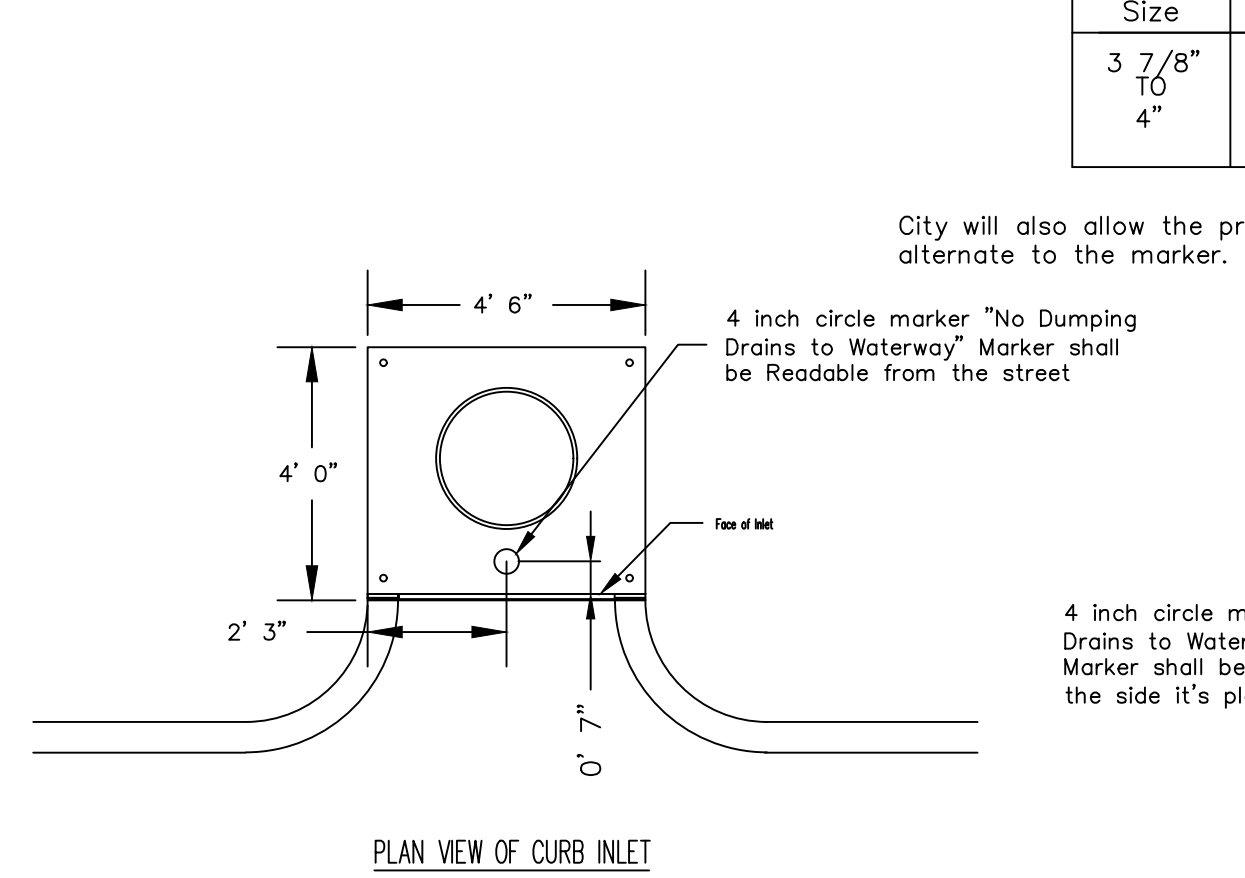
PIPE BEDDING CLASS "C" (MODIFIED FOR REINFORCED CONCRETE PIPE)	METROPOLITAN ST. LOUIS SEWER DISTRICT Standard Details of Sewer Construction		
Dr. W.S.H. Ch. J.C.K.	2009	SHEET 5	



NOTES:

- 1) TO BE USED AT INTAKE AND DISCHARGE END OF PIPE. GRADE OF ROCK BLANKET TO BE ADJUSTED ACCORDINGLY.
- 2) GROUDED ROCK BLANKET OR CONC. HEADWALL REQUIRED.

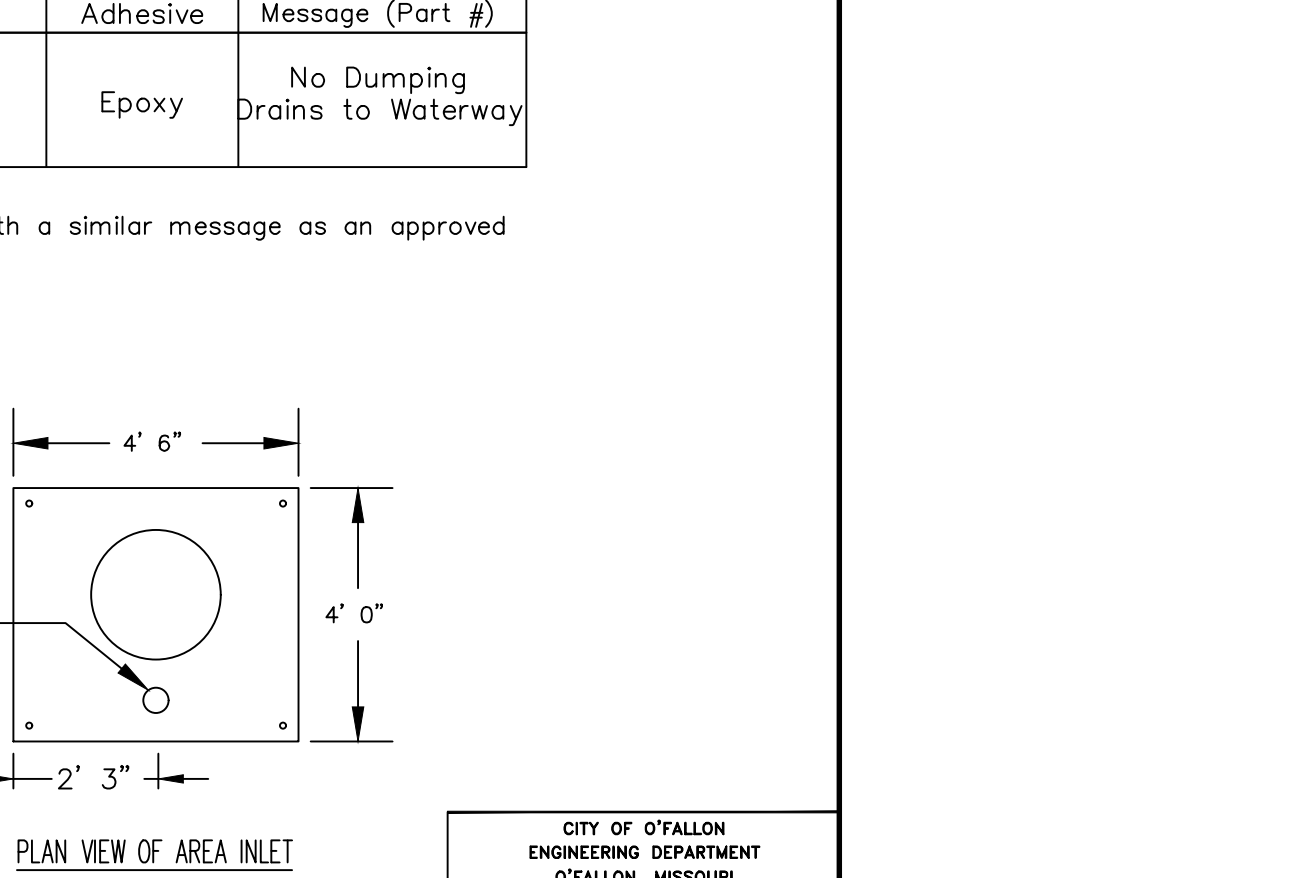
FLARED END SECTION	METROPOLITAN ST. LOUIS SEWER DISTRICT Standard Details of Sewer Construction		
Dr. WSH/SAM Ch. J.C.K.	2009	SHEET 61	



NOTES:

- 1) TO BE USED AT INTAKE AND DISCHARGE END OF PIPE. GRADE OF ROCK BLANKET TO BE ADJUSTED ACCORDINGLY.
- 2) GROUDED ROCK BLANKET OR CONC. HEADWALL REQUIRED.

FLARED END SECTION	METROPOLITAN ST. LOUIS SEWER DISTRICT Standard Details of Sewer Construction		
Dr. WSH/SAM Ch. J.C.K.	2009	SHEET 61	



NOTES:

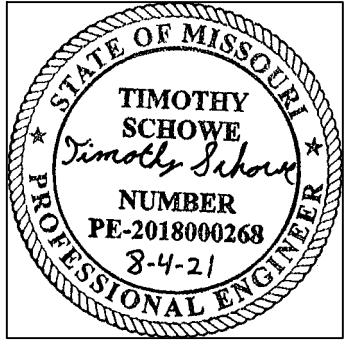
- 1) TO BE USED AT INTAKE AND DISCHARGE END OF PIPE. GRADE OF ROCK BLANKET TO BE ADJUSTED ACCORDINGLY.
- 2) GROUDED ROCK BLANKET OR CONC. HEADWALL REQUIRED.

FLARED END SECTION	METROPOLITAN ST. LOUIS SEWER DISTRICT Standard Details of Sewer Construction		
Dr. WSH/SAM Ch. J.C.K.	2009	SHEET 61	

636-594-0540 (tel.)
636-594-0512 (fax)
mailto:ochran@ochran.com
330A E. Independence Dr.
Union, Missouri 63084



Missouri State Certificate
of Authority Numbers:
Survey: 000380
Engineering: 001655
Architecture: 200214240



THE STREETS OF CALEDONIA
POOL CLUBHOUSE
O'FALLON, MISSOURI

DATE:	08-18-21	APP'D BY:	JMM	ERR
REVISION:		CITY COMMENTS/CLARIFICATIONS:		
DATE:		APP'D BY:	JMM	ERR
DATE:	AUG. 04, 2021	SCALE:	1" = 20'	
PROJ. NO.:	17-6821			
DWG. NO.:	C7.03			

DWG NAME: F:\17-6821 - 260 Acre Tract along Hwy 40, O'Fallon, MO\AutoCAD Drawings\Pool & Clubhouse Plans\07-Detail Sheet - Pool Clubhouse.dwg LAYOUT TAB: C7.03 PLOTTED ON: Aug 19, 2021 - 8:22am PLOTTED BY: jfmeier