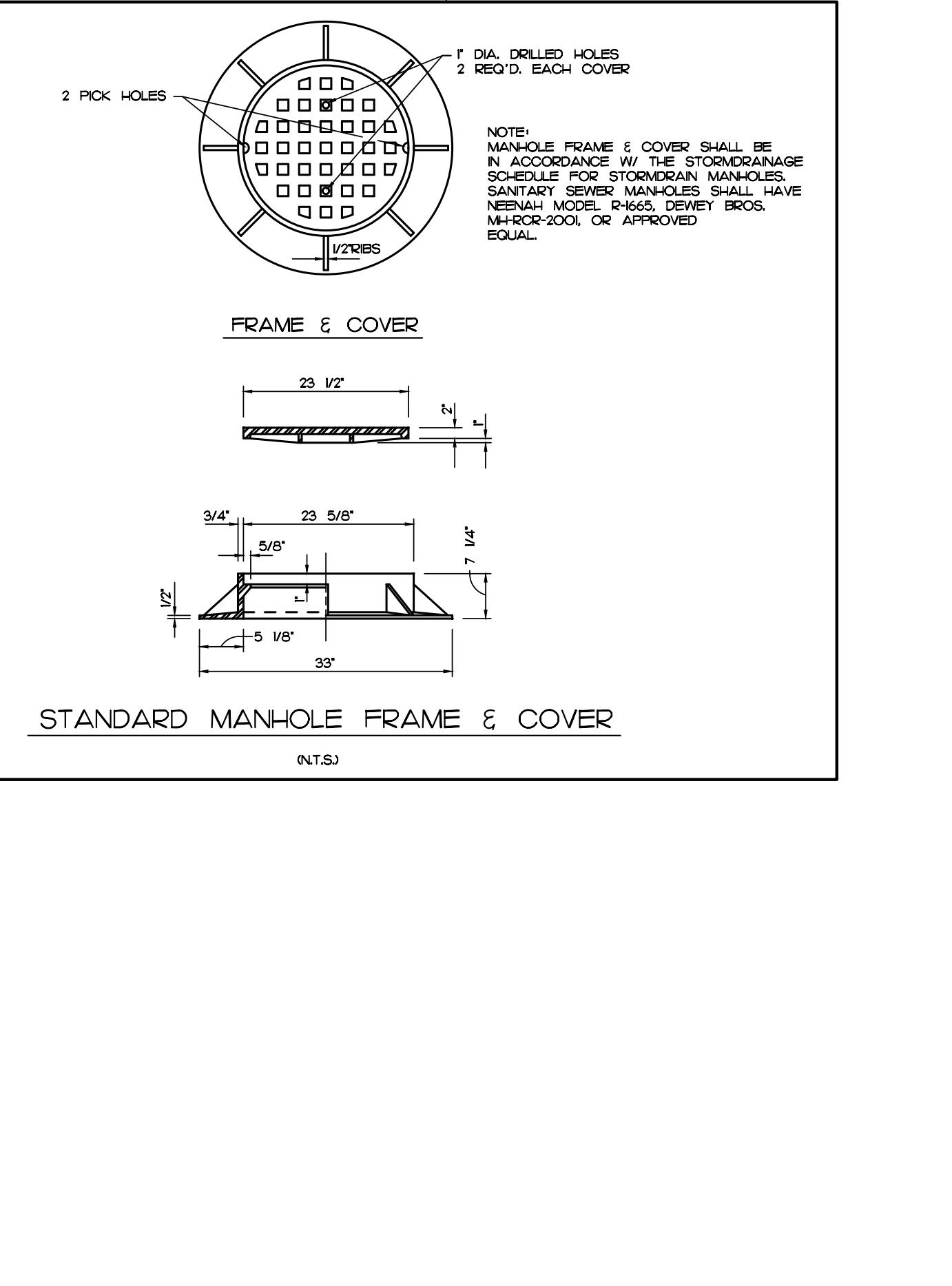
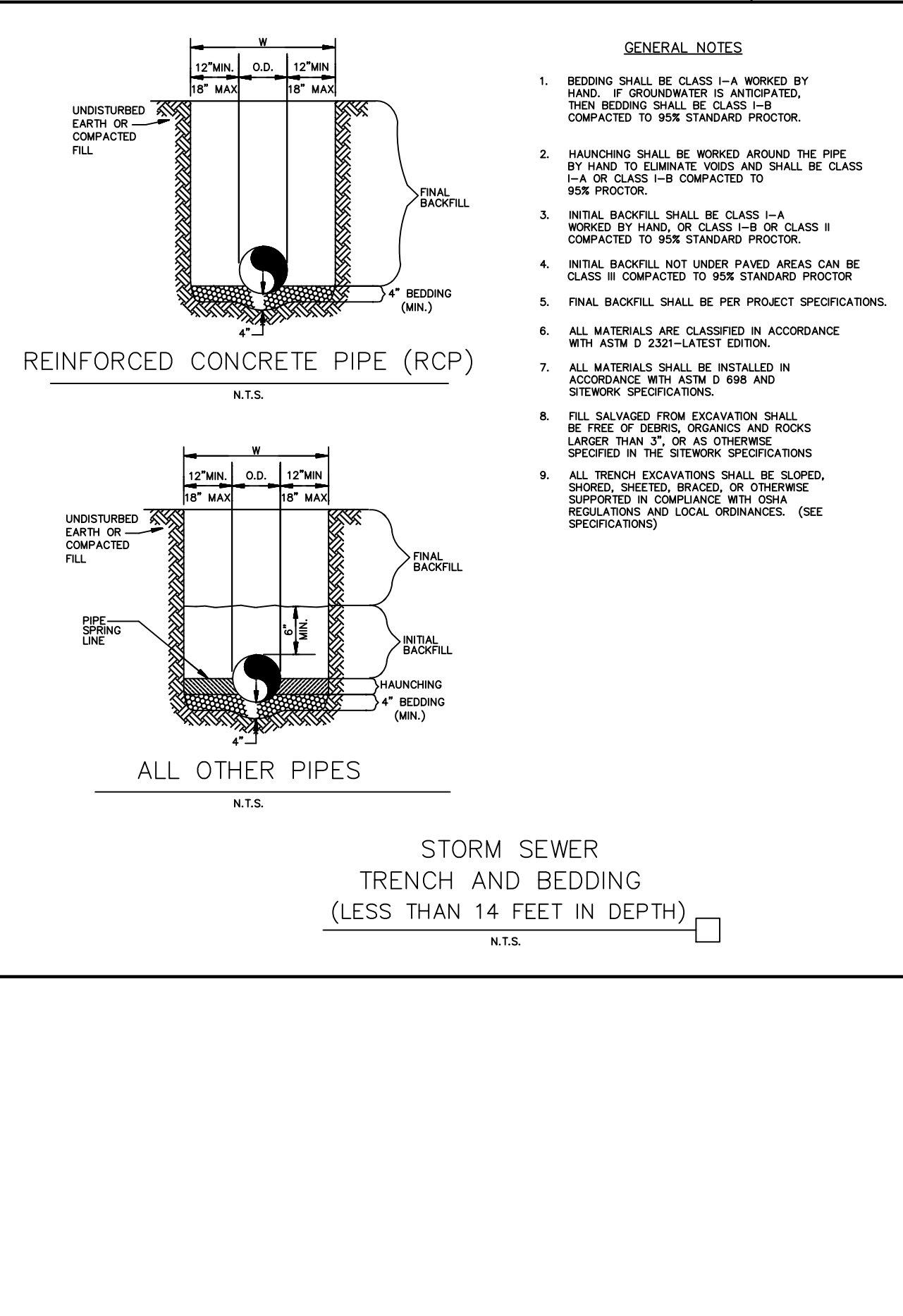
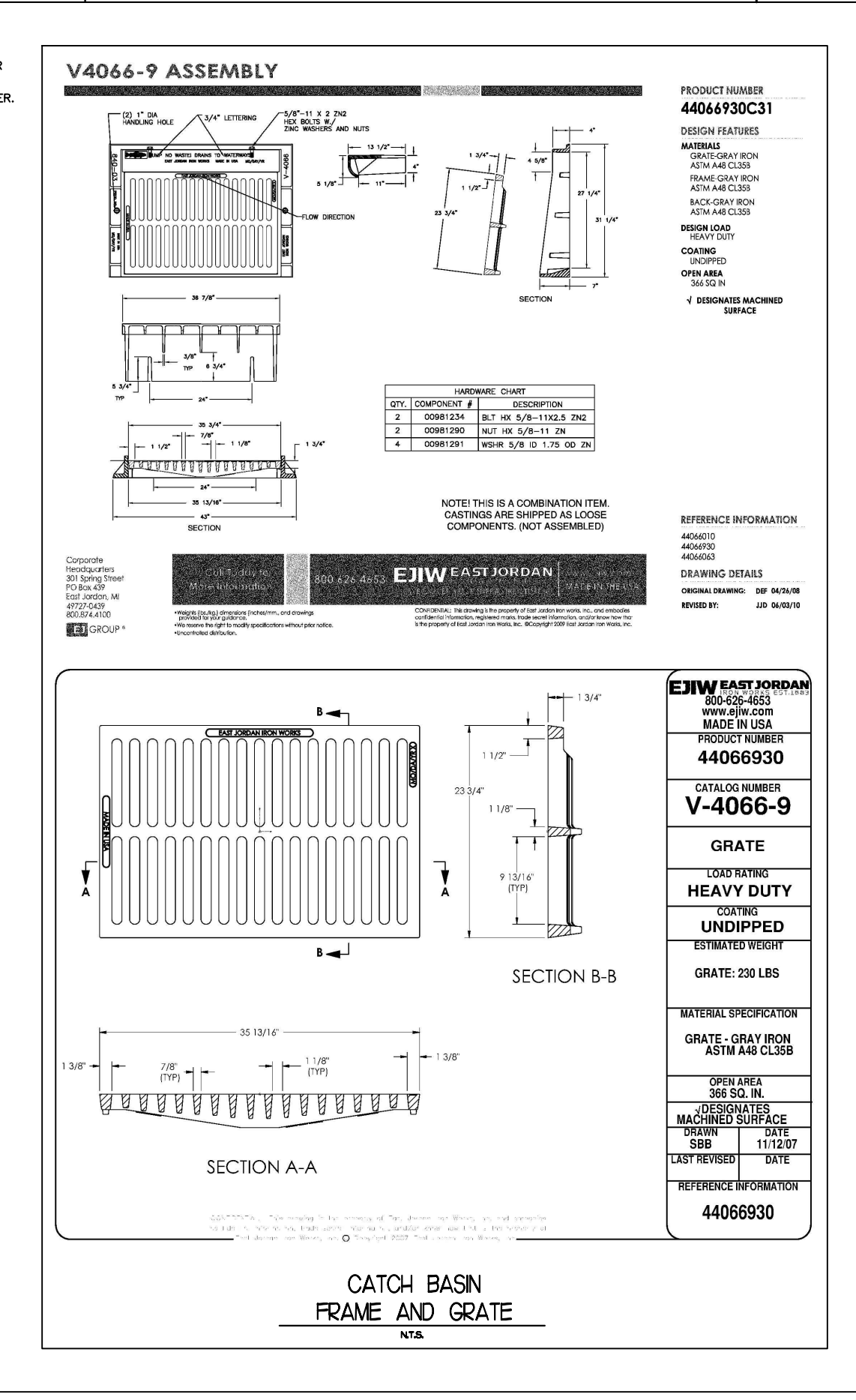
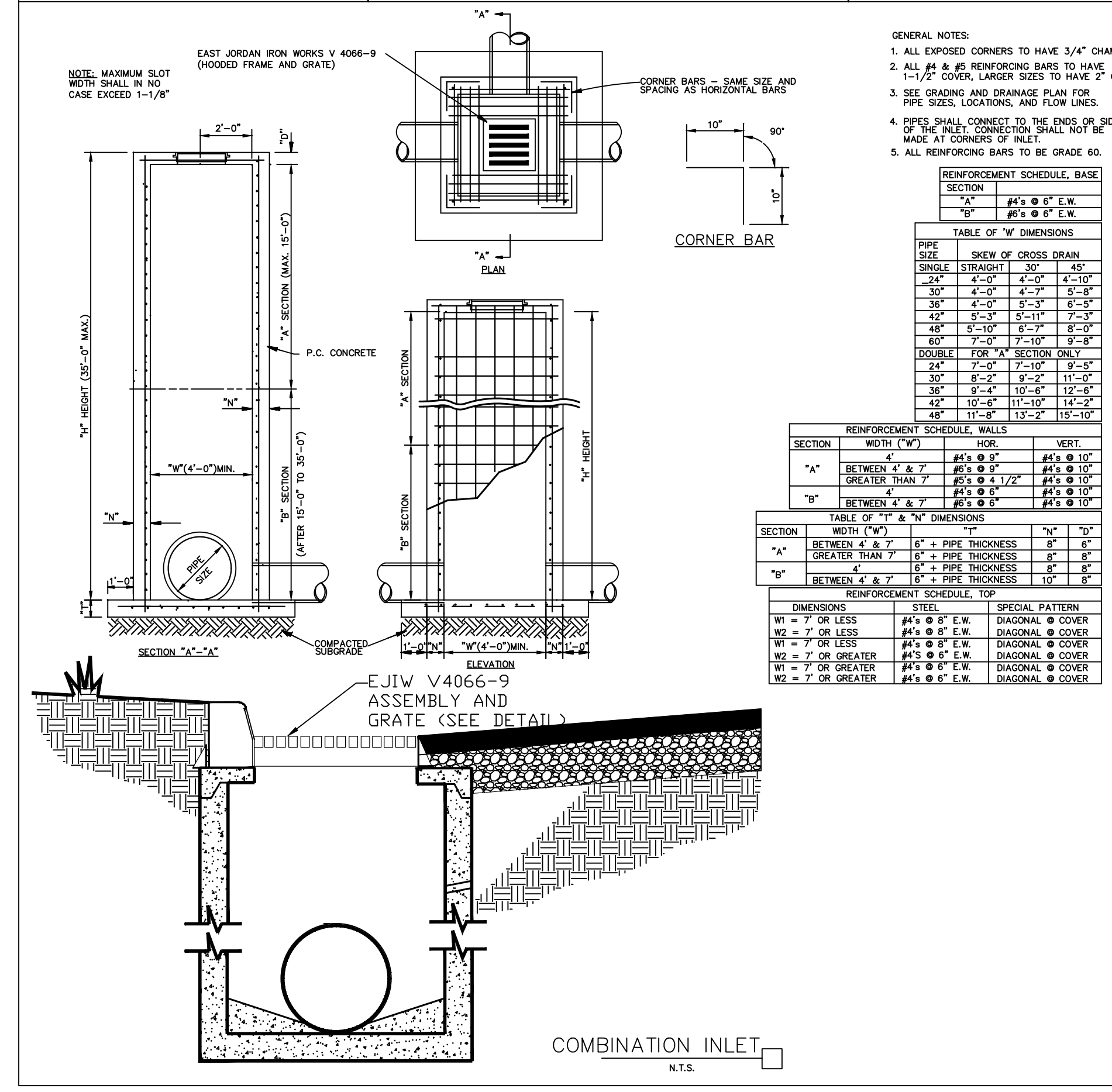
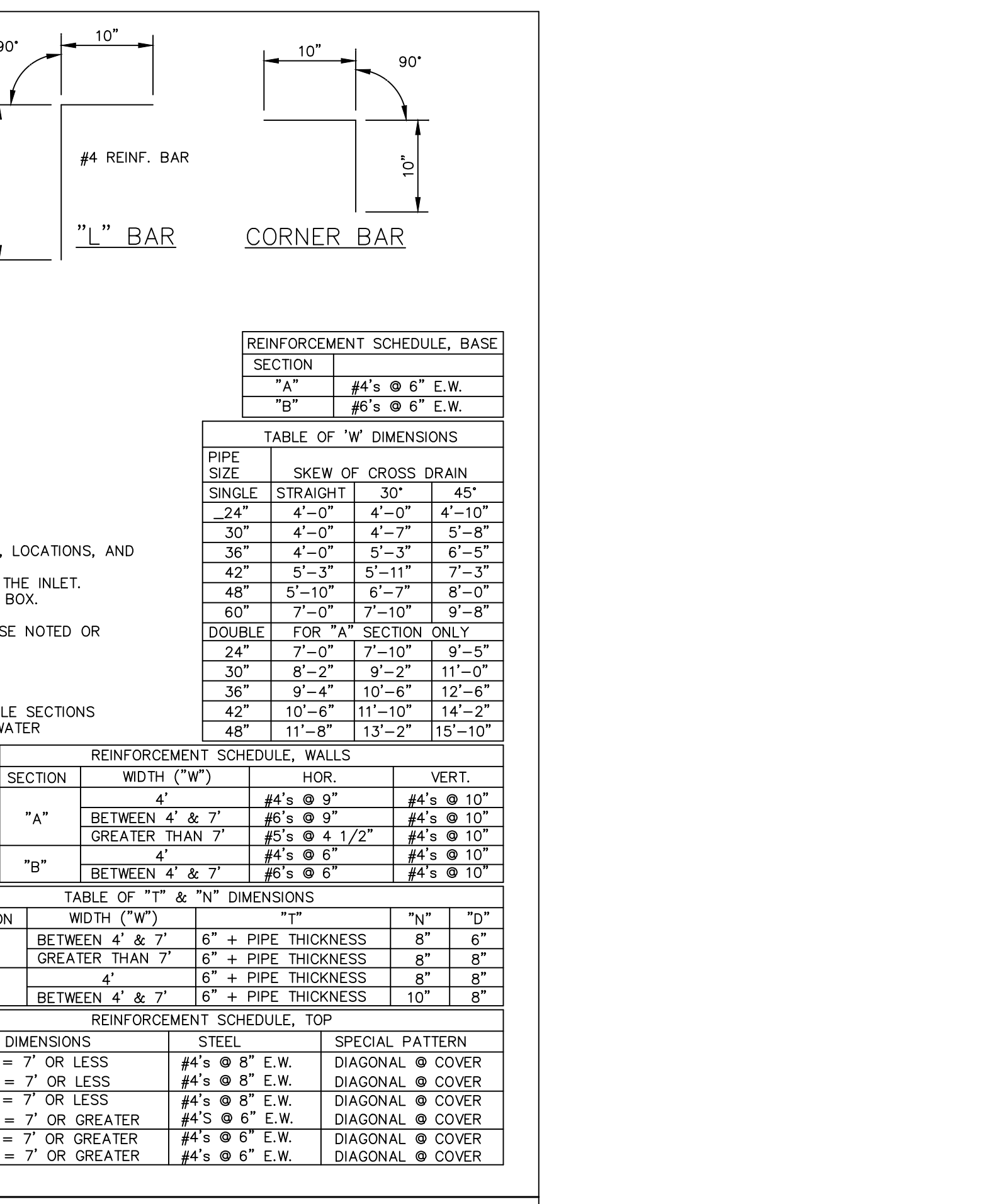
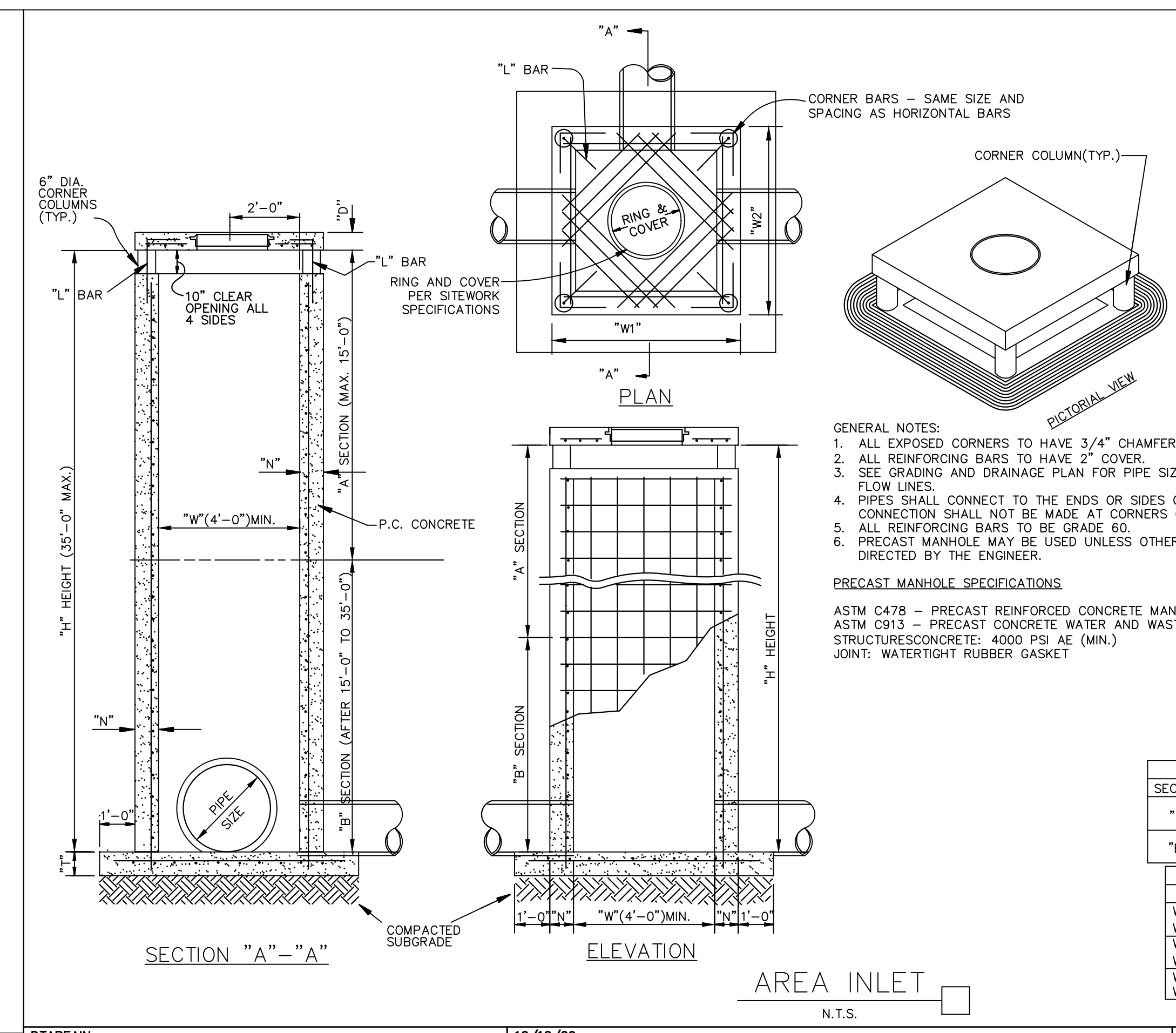
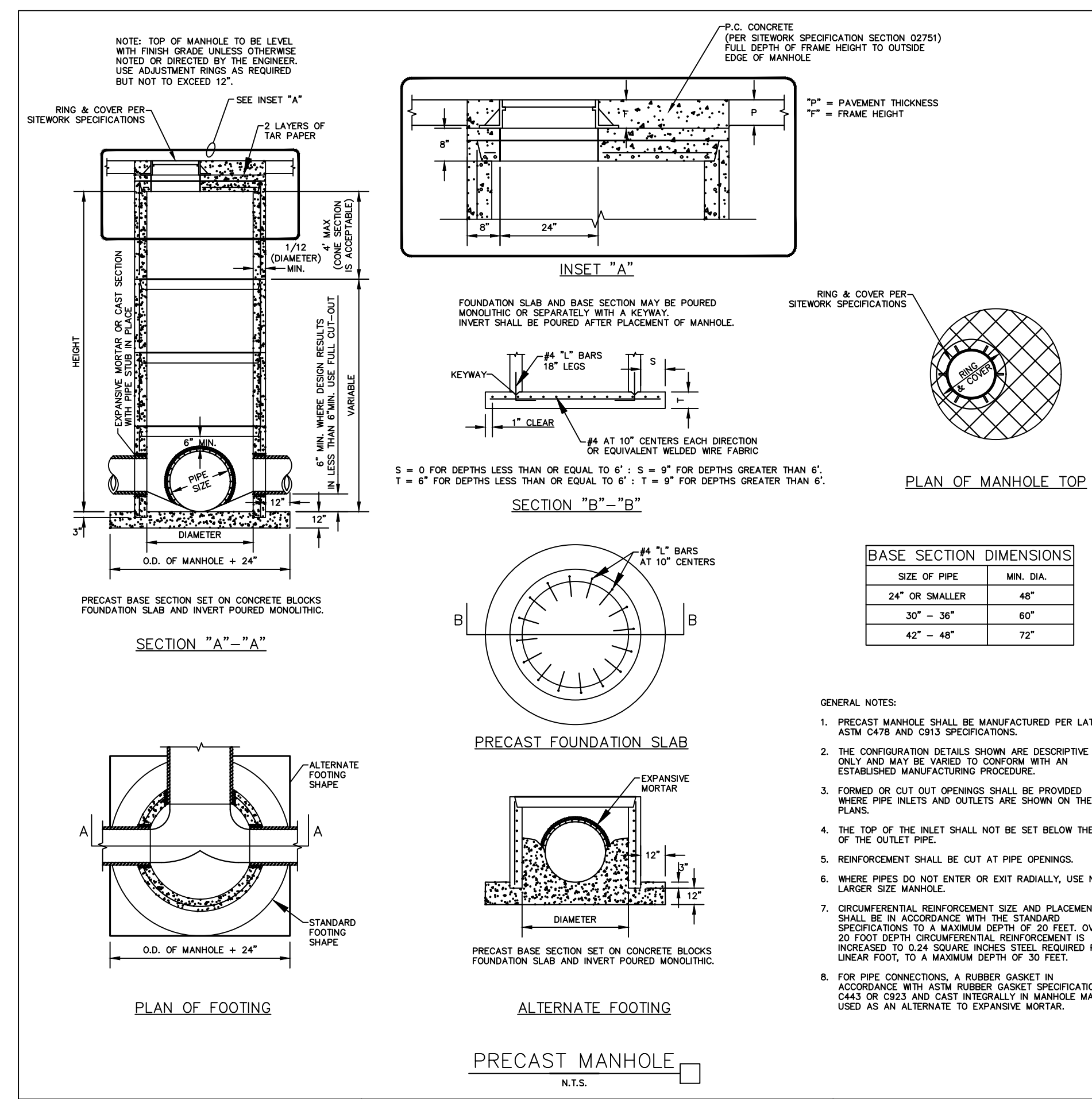
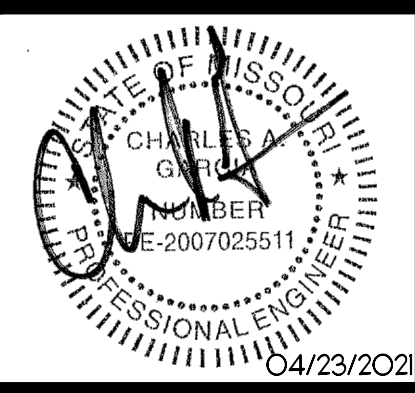


REVISIONS	BY



NOTE: PRE-CAST STRUCTURES MEETING ALL GDOT REQUIREMENTS MAY BE SUBSTITUTED FOR ANY CAST-IN-PLACE STRUCTURES SHOWN HEREON. IT IS THE CONTRACTOR'S RESPONSIBILITY TO INSURE THAT ALL STRUCTURES ARE PRODUCED IN SUCH A MANNER TO ACCOMMODATE THE APPROPRIATE STRUCTURE TOP (FRAMES, GRATES, ETC.).

PLANS PREPARED BY:
 Charles A. Garcia, P.E.
 Missouri Professional Engineering License #2007025511
 209 West Stone Avenue
 Greenville, South Carolina 29609
 864-233-5497



CALIBER COLLISION
 700 CORPORATE CENTRE DRIVE
 O'FALLON, MO 63368
 CROSS DEVELOPMENT CO. OF FALLON, LLC.
 4838 MARSH RIDGE ROAD
 CARROLLTON, TX 75010
 TEL: (214) 614-8252

DRAWN: BAC
 CHECKED: TMB
 DATE: 03/19/2021
 SCALE:

DRAWING: 18

STORMWATER DETAILS