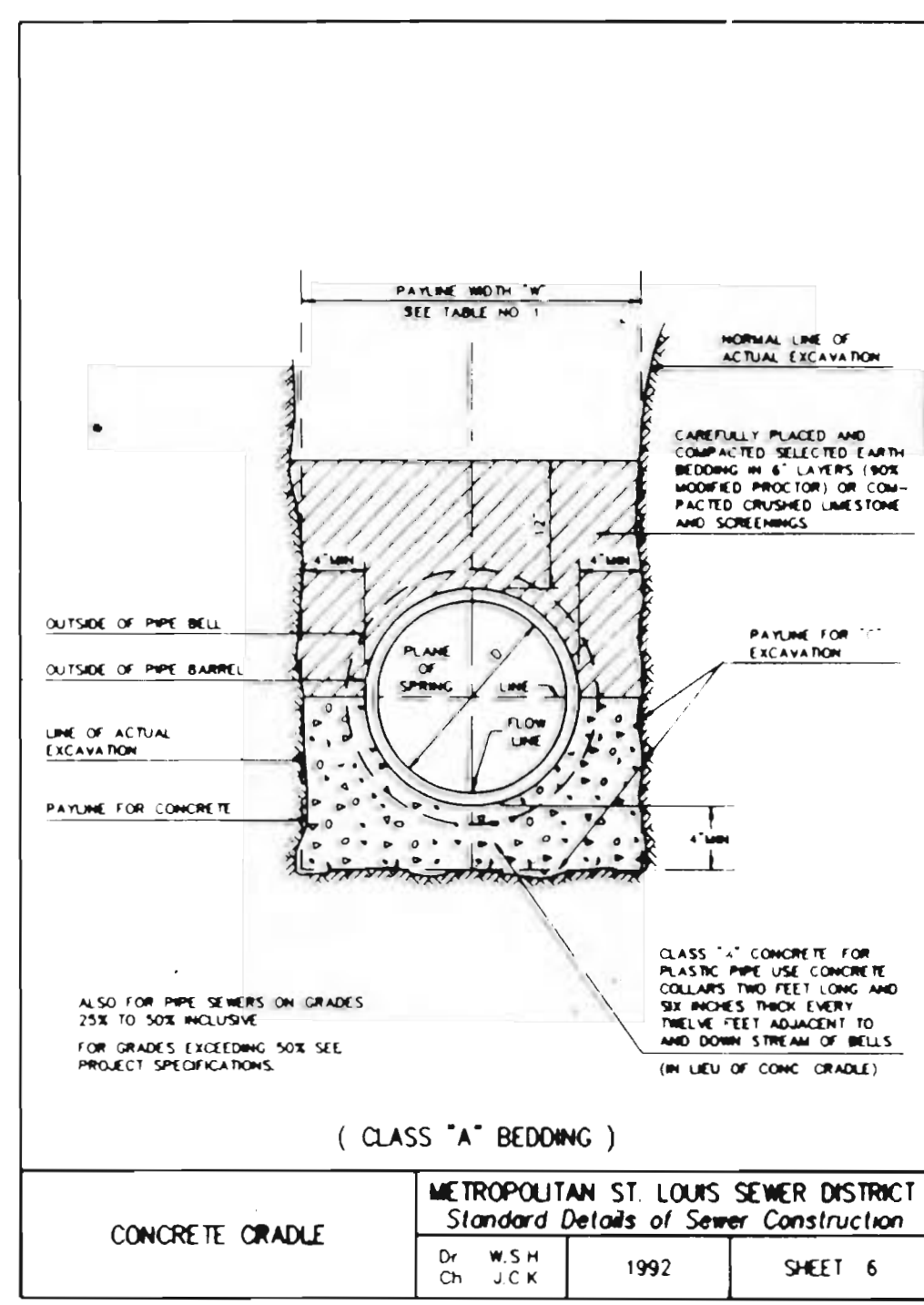
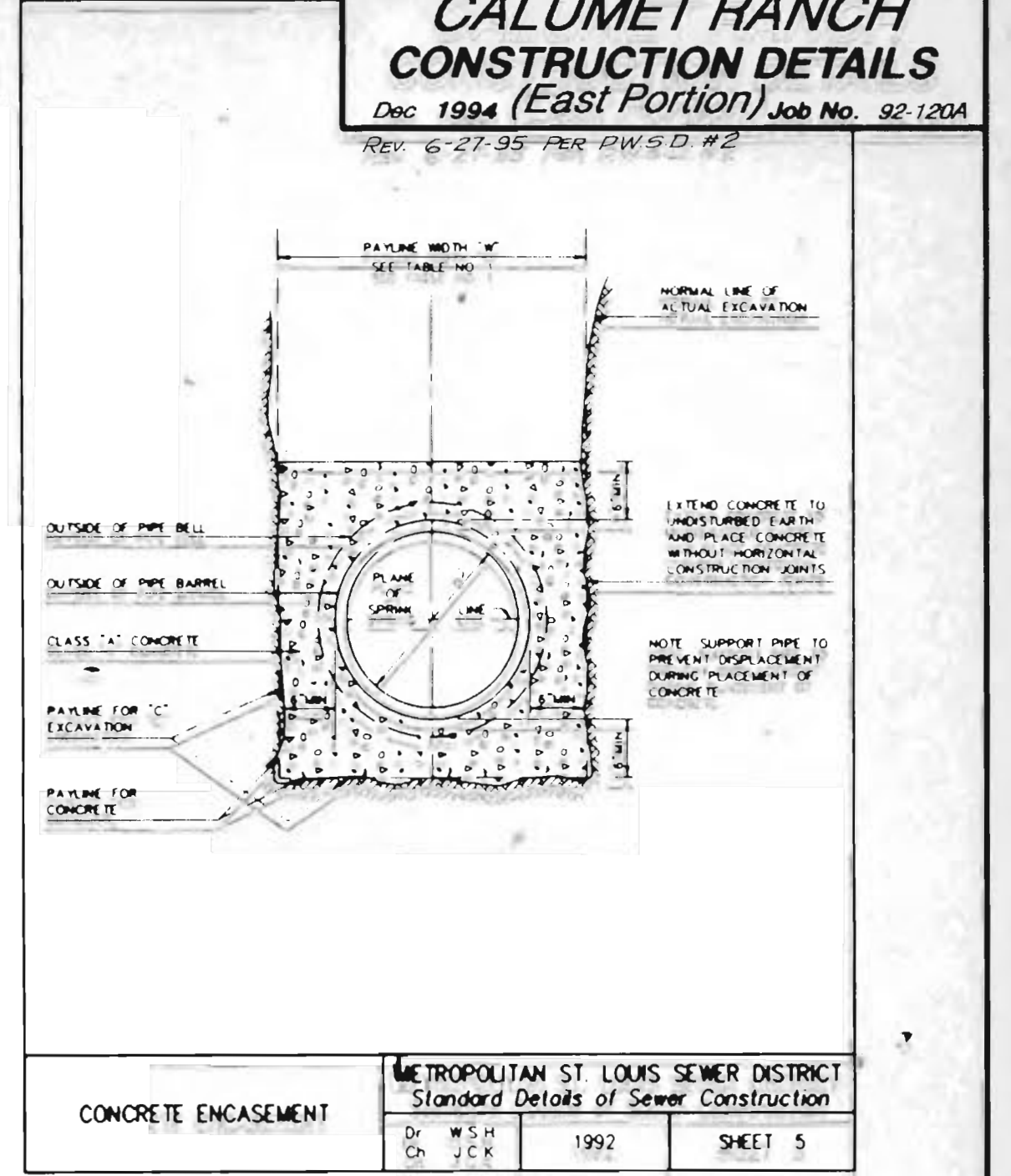
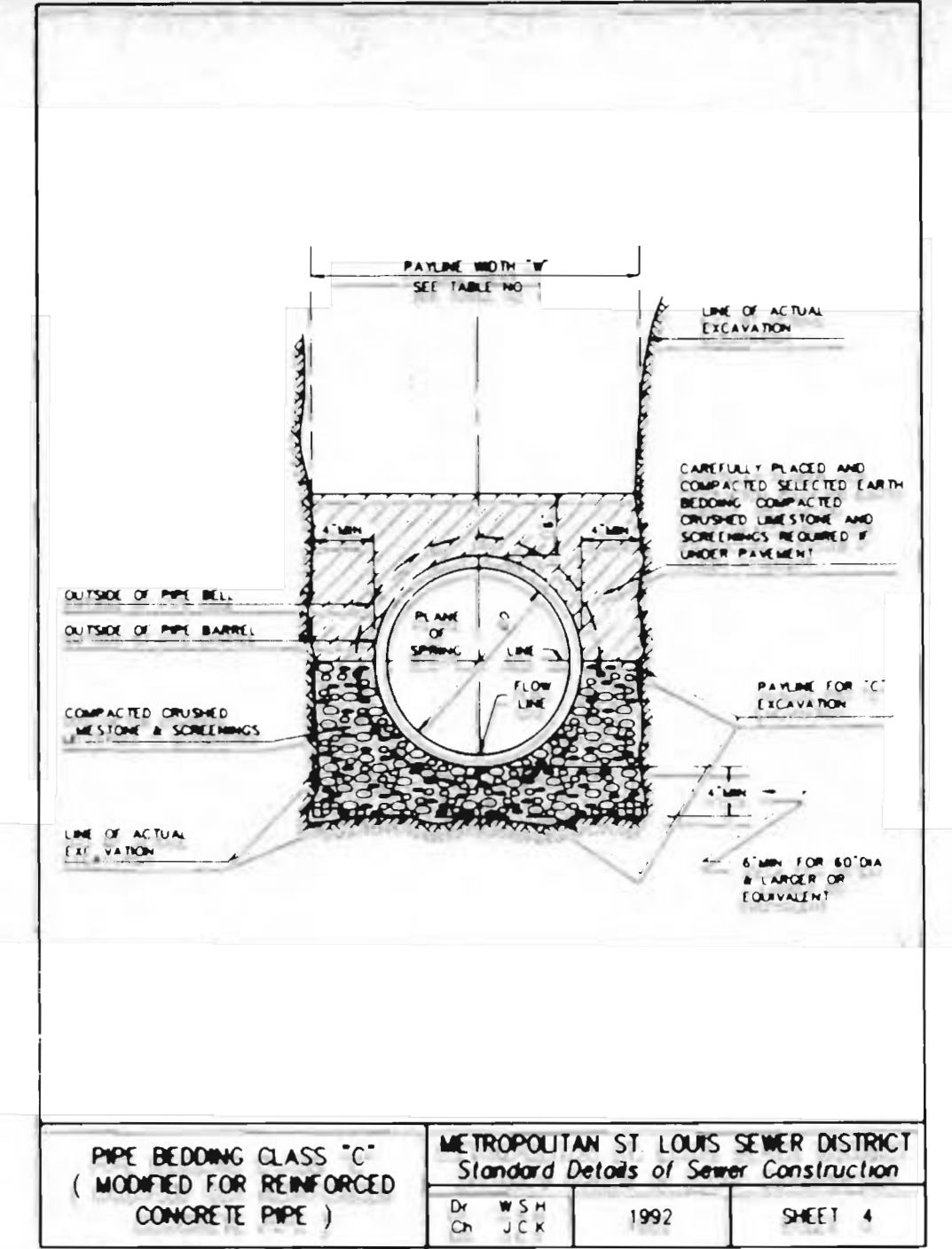
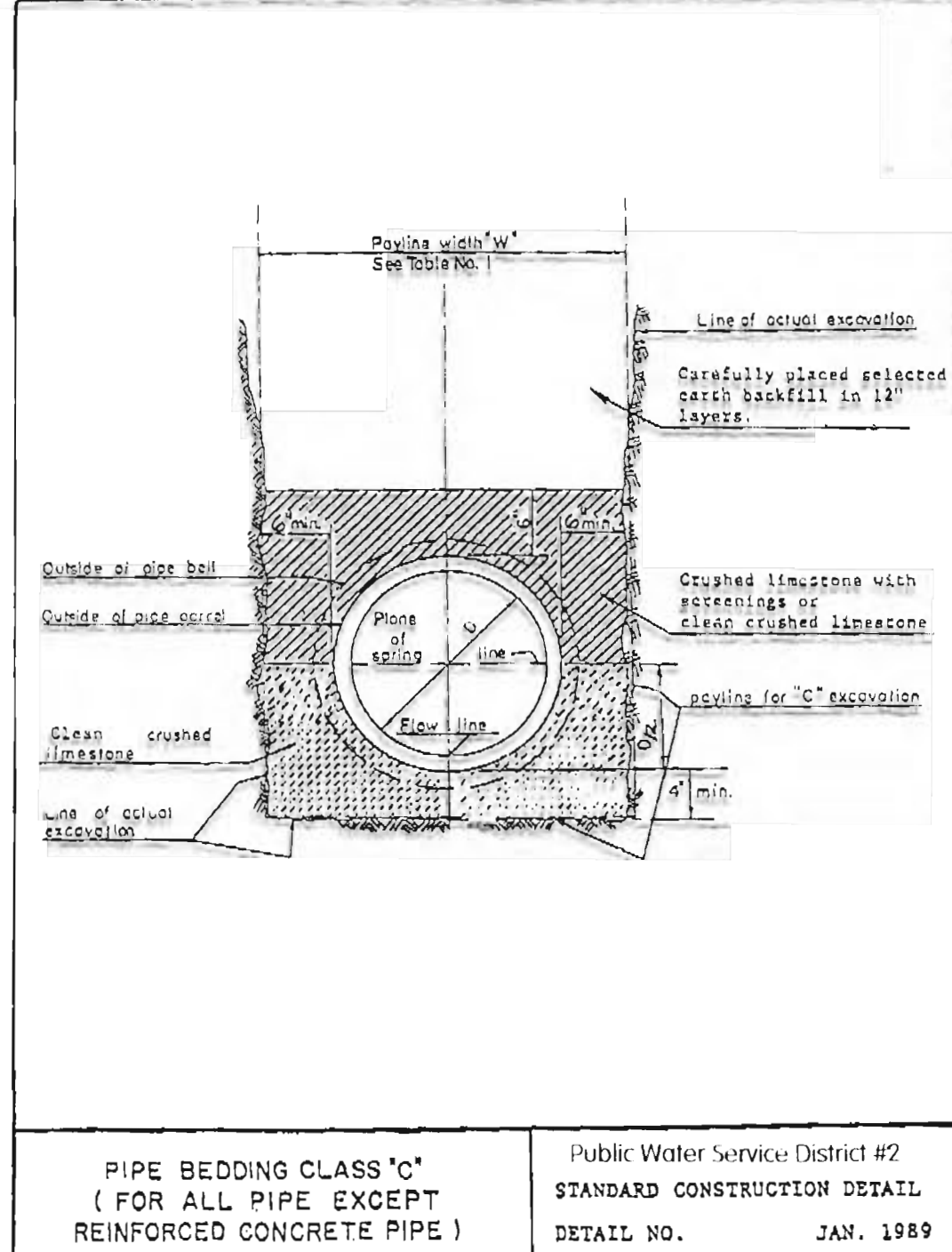
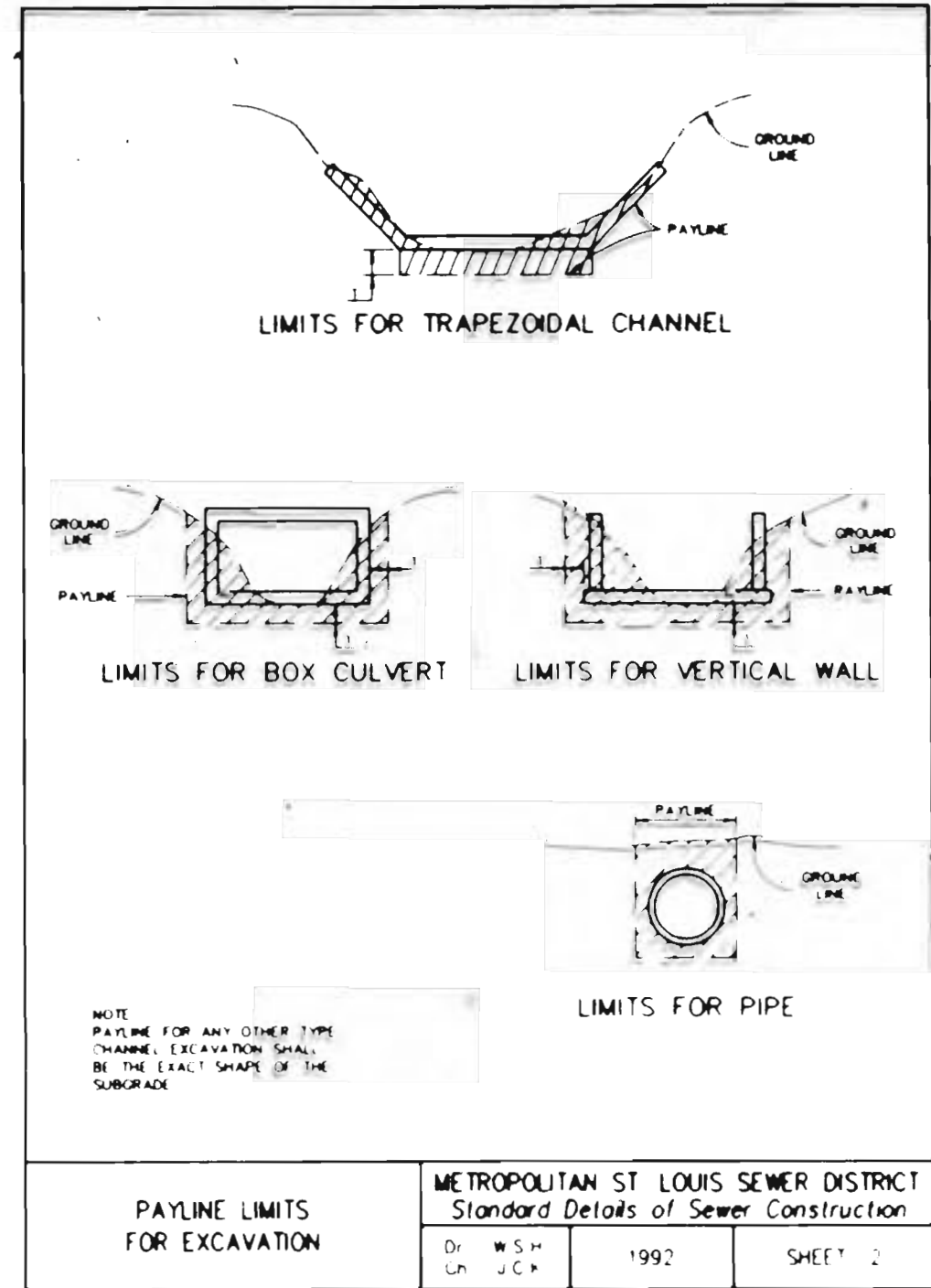


ROUND PIPE				HORIZONTAL ELLIPTICAL PIPE			
INCHES	"W"	"H"	PAY-LINE	INCHES	"W"	"H"	PAY-LINE
DIAMETER	WIDTH	HEIGHT	OF TRENCH	WIDTH	WIDTH	HEIGHT	OF TRENCH
(INCHES)	(INCHES)	(FEET)	CONCRETE	(INCHES)	(INCHES)	(FEET)	CONCRETE
			ENCASEMENT				ENCASEMENT
4	30	2.50	3.28				
5	30	2.50	3.59				
6	30	2.50	3.87				
8	30	2.50	4.09				
10	30	2.50	4.25				
12	36	3.00	5.55				
15	36	3.00	5.77	14 x 23	41	3.42	5.94
21	36	3.00	6.61				
24	42	3.50	7.39	18 x 30	49	4.08	7.68
27	42	3.50	8.18	22 x 34	53	4.42	8.81
30	48	4.08	9.30	24 x 38	58	4.83	9.70
33	53	4.42	10.53	27 x 42	62	5.17	10.71
36	54	4.67	11.43	29 x 45	66	5.50	11.72
39				32 x 49	71	5.92	13.14
42	63	5.25	13.38	34 x 53	75	6.25	14.05
48	70	5.83	15.87	38 x 60	83	6.92	16.18
54	77	6.42	18.15	43 x 68	92	7.67	18.81
60	84	7.00	20.73	48 x 78	101	8.42	21.59
66	91	7.58	23.45	53 x 83	109	9.08	24.35
72	98	8.17	26.37	58 x 91	118	9.83	27.45
78	105	8.75	29.39	63 x 98	128	10.50	30.50
84	112	9.33	32.57	68 x 106	135	11.25	33.91
90	119	9.92	35.90	72 x 113	143	11.92	36.99
96	126	10.50	39.37	77 x 121	153	12.67	40.89
102	133	11.08	42.89	82 x 128	160	13.32	44.45
108	140	11.67	46.75	87 x 136	168	14.00	47.76
114	147	12.25	50.84	92 x 143	176	14.67	51.70
120	154	12.83	54.72	97 x 151	185	15.42	56.01
126	161	13.42	58.92				
132	168	14.00	63.27	106 x 166	202	16.83	64.48
144	182	15.17	72.40	116 x 180	218	18.17	73.59

TABLE 1
 PAYLINE WIDTHS OF TRENCH AND PAY-QUANTITIES OF CONCRETE

METROPOLITAN ST. LOUIS SEWER DISTRICT
 Standard Details of Sewer Construction
 Dr. B.E.B. Ch. J.C.K. 1992 SHEET 1



SECTION OF MANHOLE			
TOP	UPPER	26 1/2" DIA	
TRANSITION	LOWER	42" DIA	
BOTTOM SECTION	8" THRU 24" DIA PIPE	42" DIA	
BOTTOM SECTION	27" THRU 36" DIA PIPE	42" SQUARE	

TABLE NO. 2
 STANDARD MANHOLE DIMENSIONS

METROPOLITAN ST. LOUIS SEWER DISTRICT
 Standard Details of Sewer Construction
 Dr. R.G.W. Ch. J.C.K. 1992 SHEET 7

