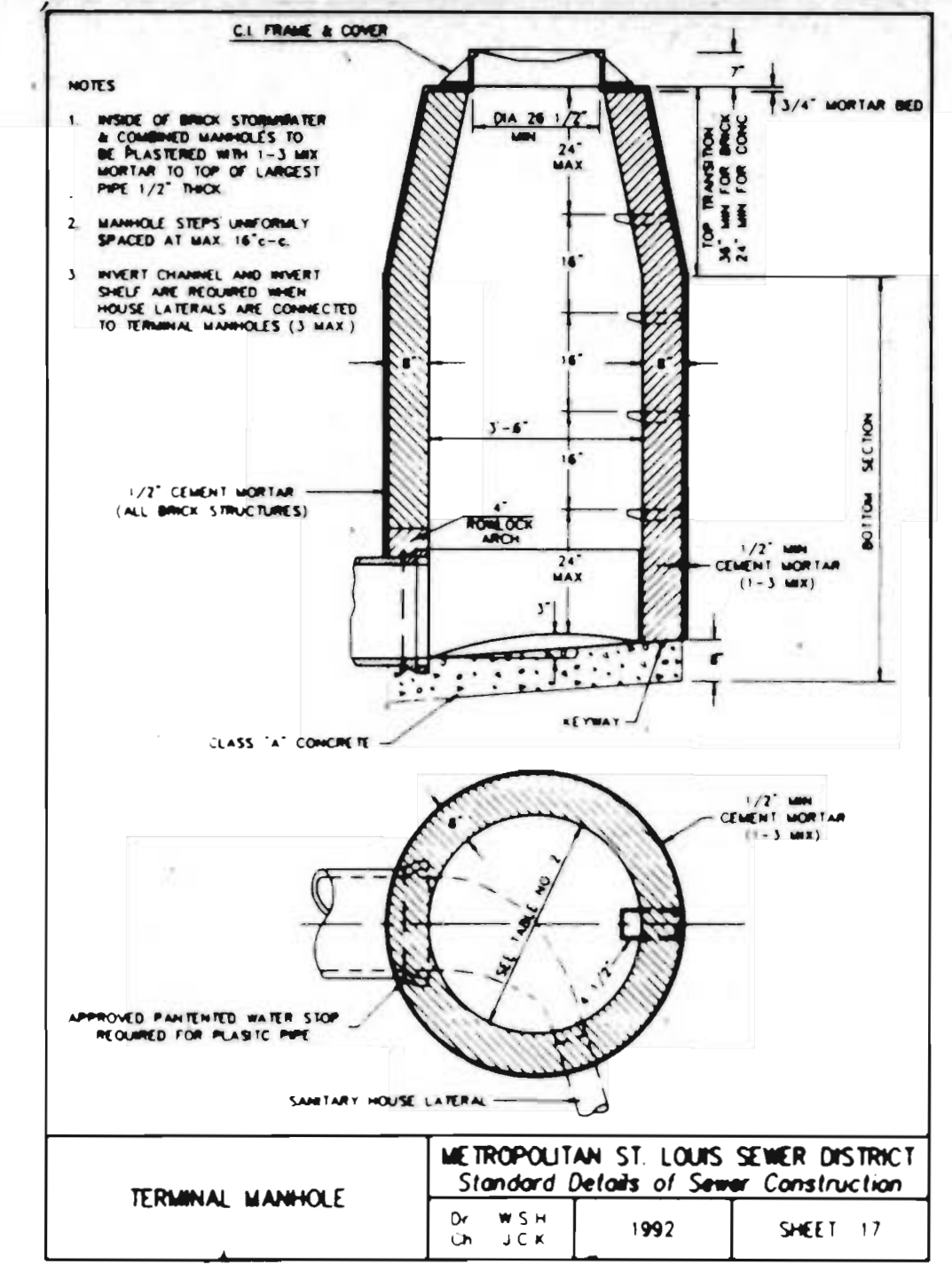
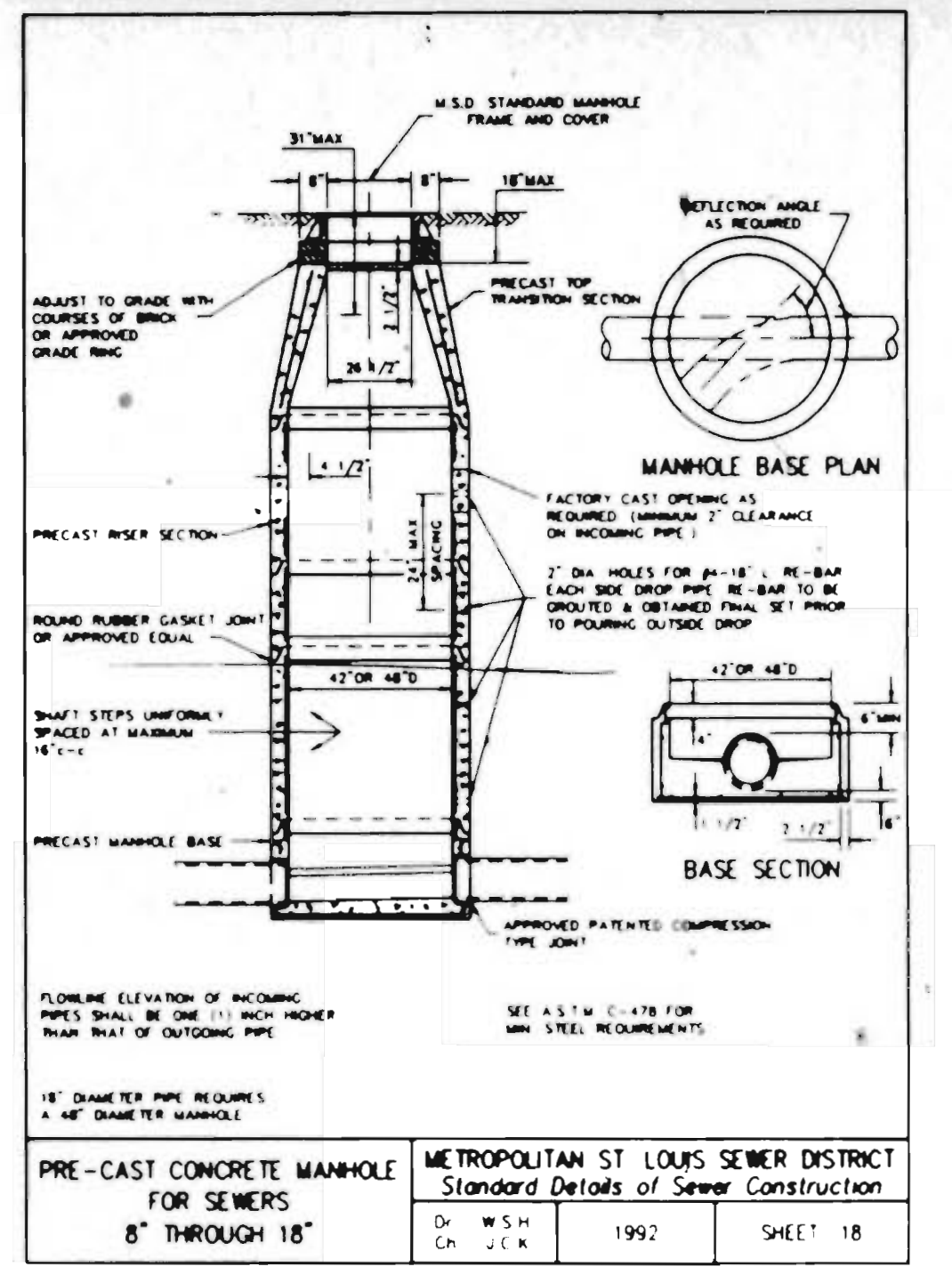


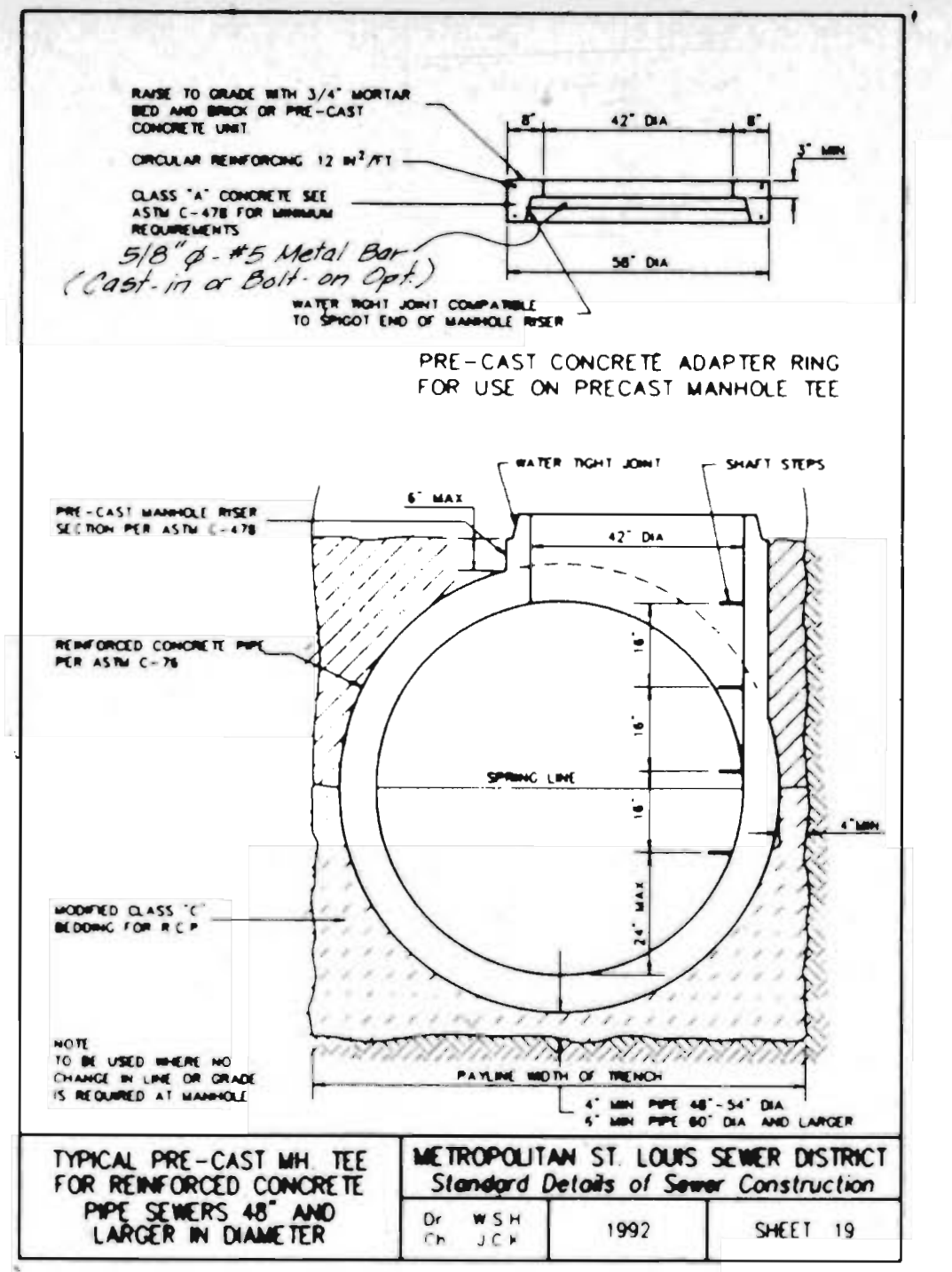
INSIDE FOULWATER DROP MANHOLE (FOR FREE-FALL)
 METROPOLITAN ST. LOUIS SEWER DISTRICT
 Standard Details of Sewer Construction
 D: W.S.H. / Ch: J.C.K. / 1992 / SHEET 16



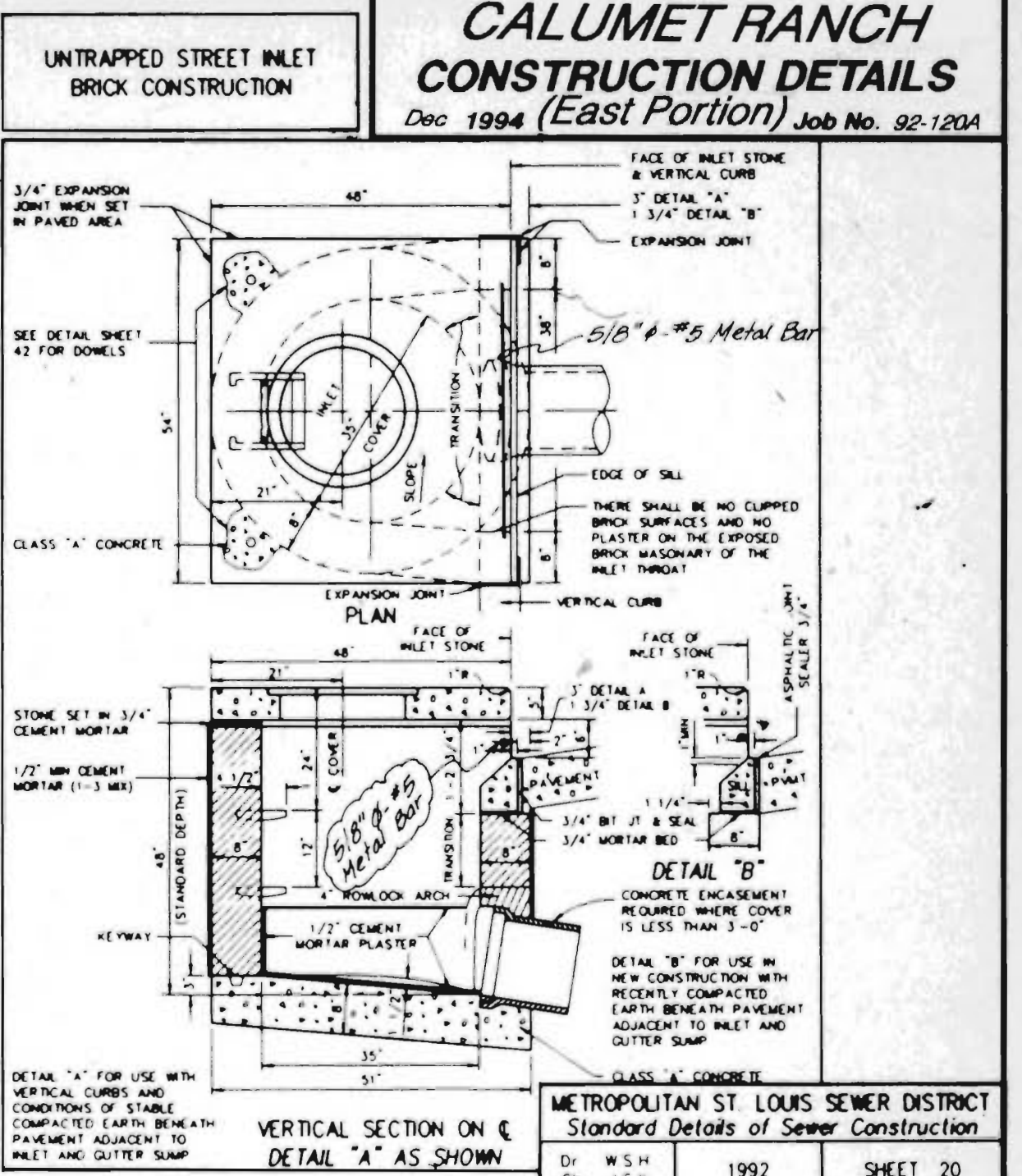
TERMINAL MANHOLE
 METROPOLITAN ST. LOUIS SEWER DISTRICT
 Standard Details of Sewer Construction
 D: W.S.H. / Ch: J.C.K. / 1992 / SHEET 17



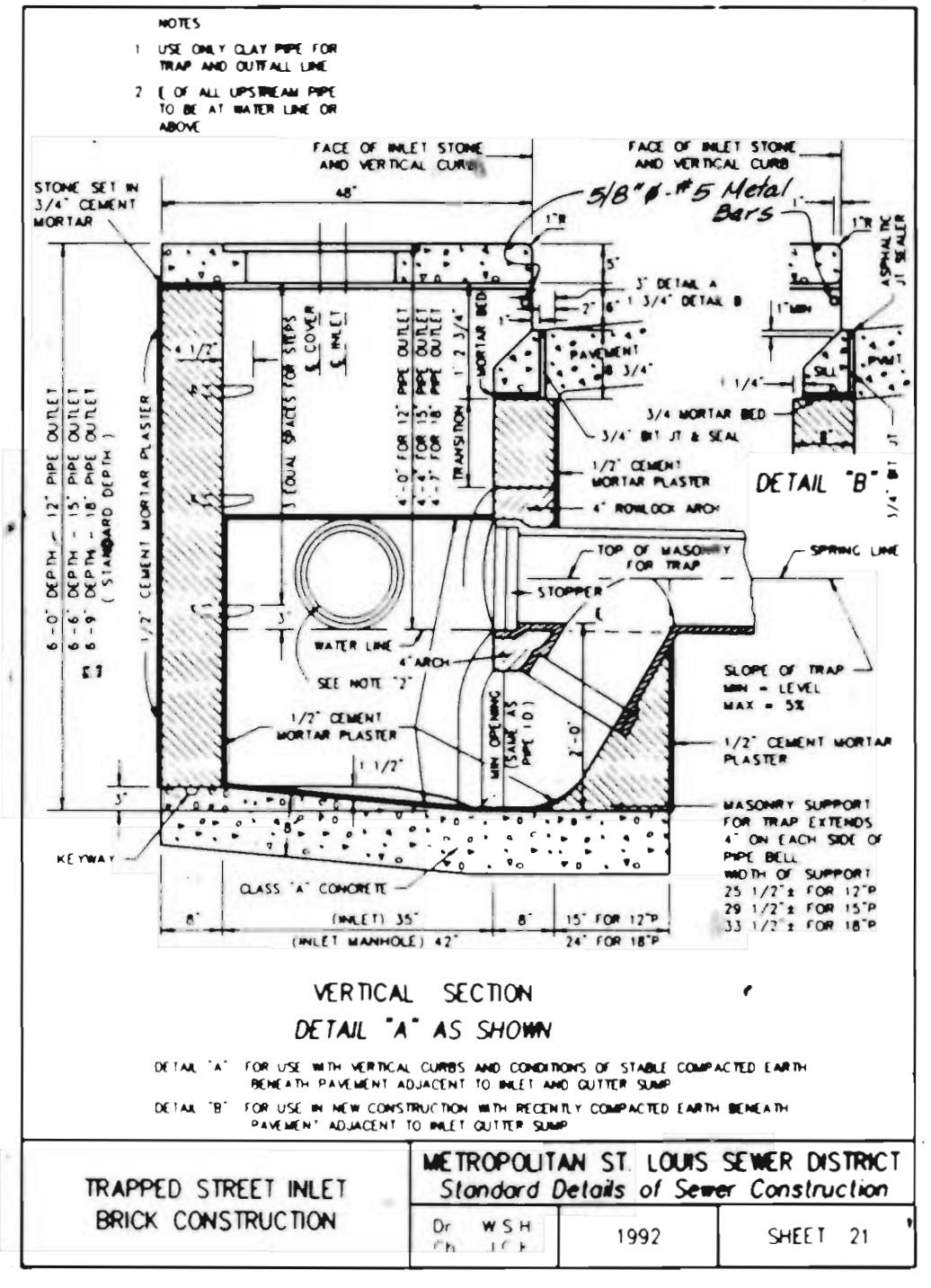
**PRE-CAST CONCRETE MANHOLE FOR SEWERS 8\"/>
 METROPOLITAN ST. LOUIS SEWER DISTRICT
 Standard Details of Sewer Construction
 D: W.S.H. / Ch: J.C.K. / 1992 / SHEET 18**



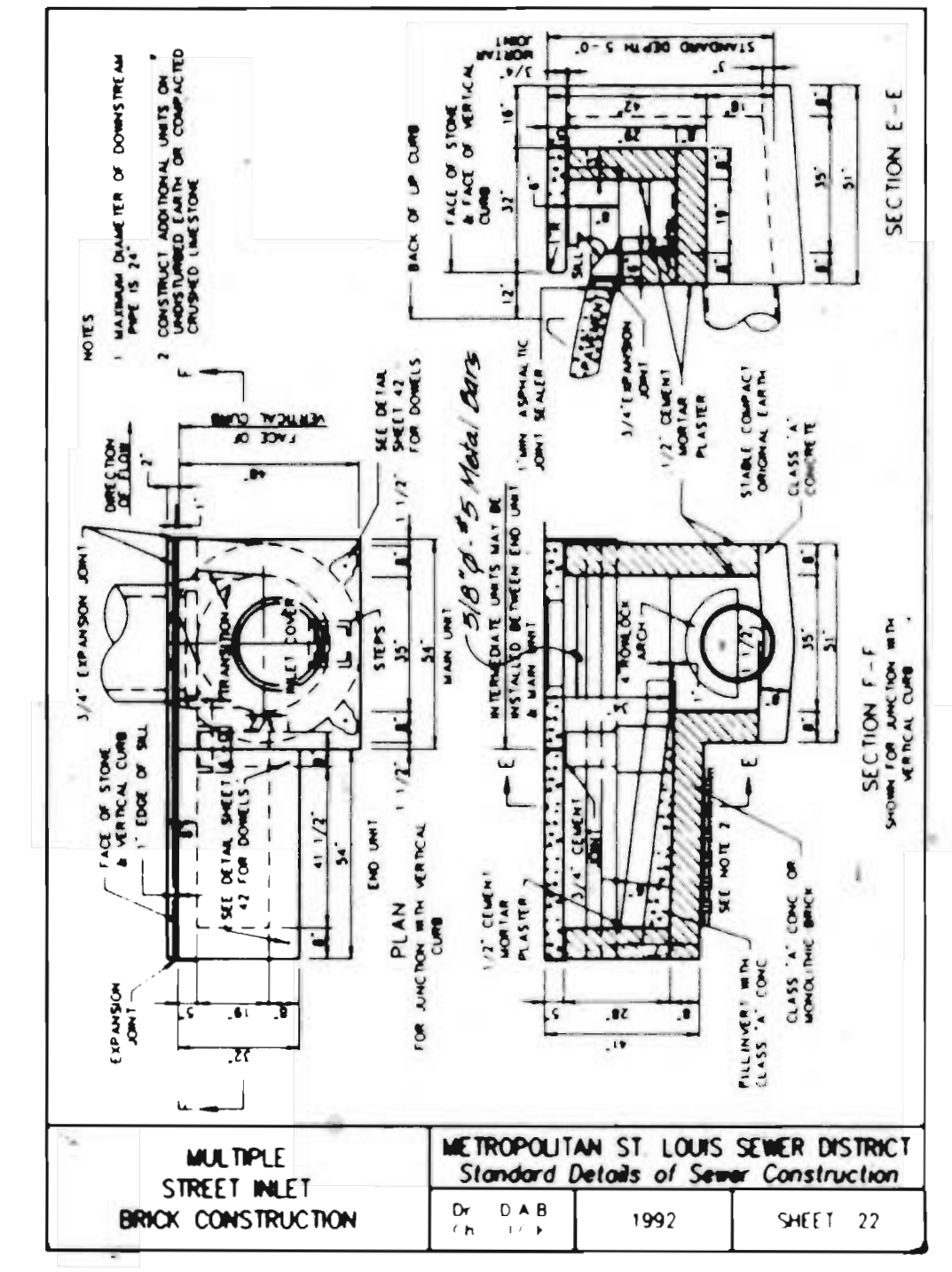
**TYPICAL PRE-CAST MH TEE FOR REINFORCED CONCRETE PIPE SEWERS 48\"/>
 METROPOLITAN ST. LOUIS SEWER DISTRICT
 Standard Details of Sewer Construction
 D: W.S.H. / Ch: J.C.K. / 1992 / SHEET 19**



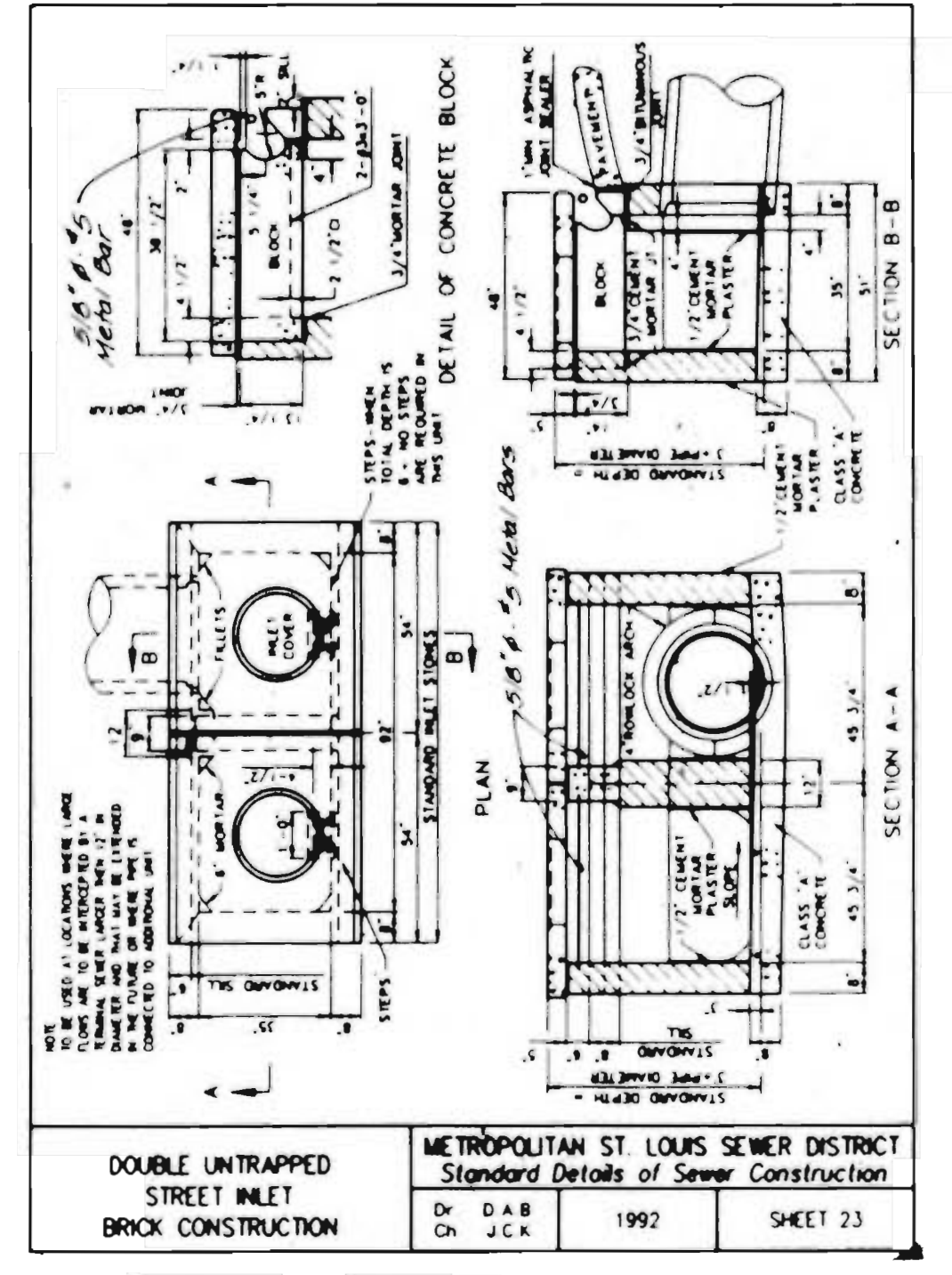
UNTRAPPED STREET INLET BRICK CONSTRUCTION
 METROPOLITAN ST. LOUIS SEWER DISTRICT
 Standard Details of Sewer Construction
 D: W.S.H. / Ch: J.C.K. / 1992 / SHEET 20



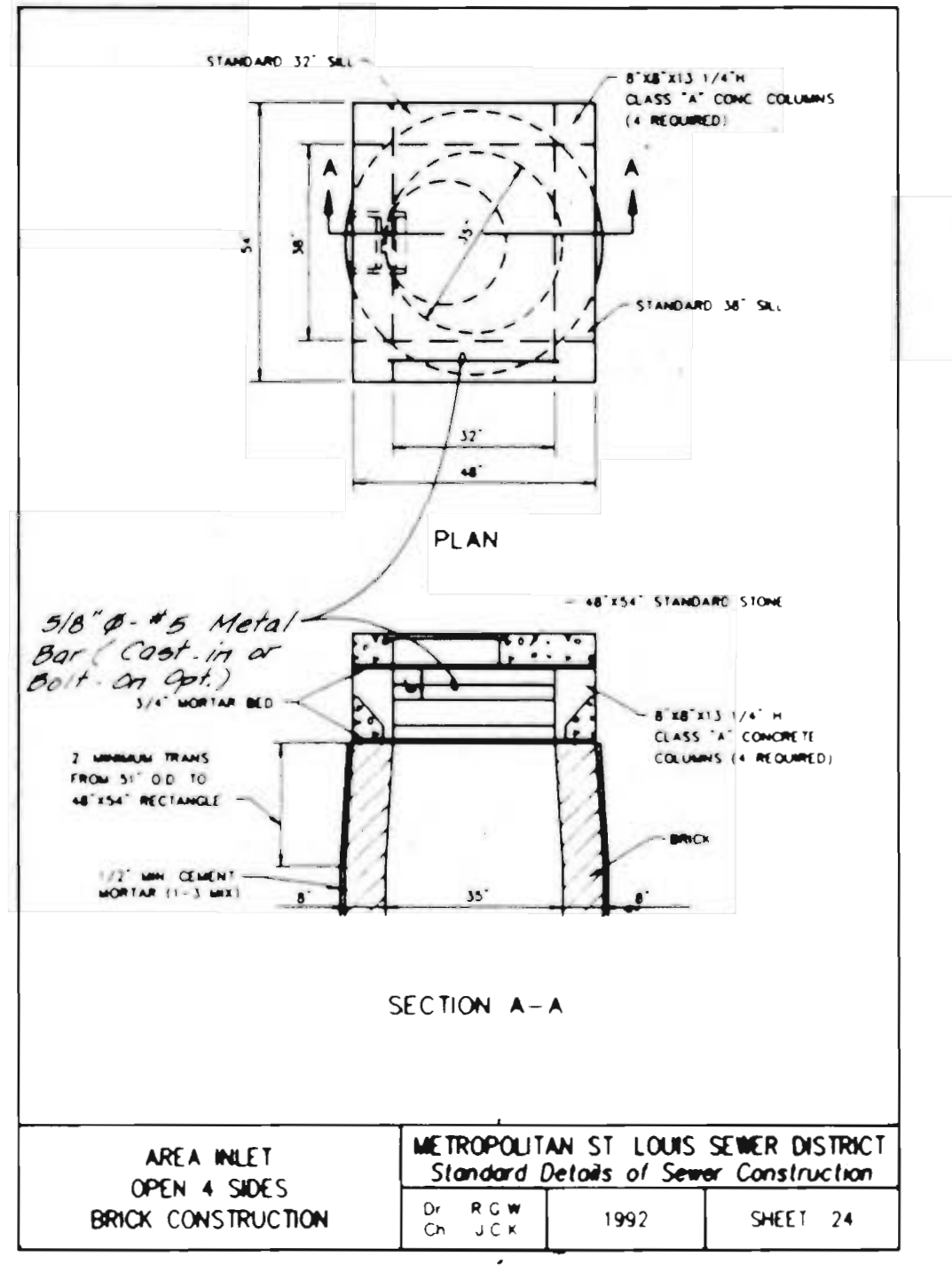
TRAPPED STREET INLET BRICK CONSTRUCTION
 METROPOLITAN ST. LOUIS SEWER DISTRICT
 Standard Details of Sewer Construction
 D: W.S.H. / Ch: J.C.K. / 1992 / SHEET 21



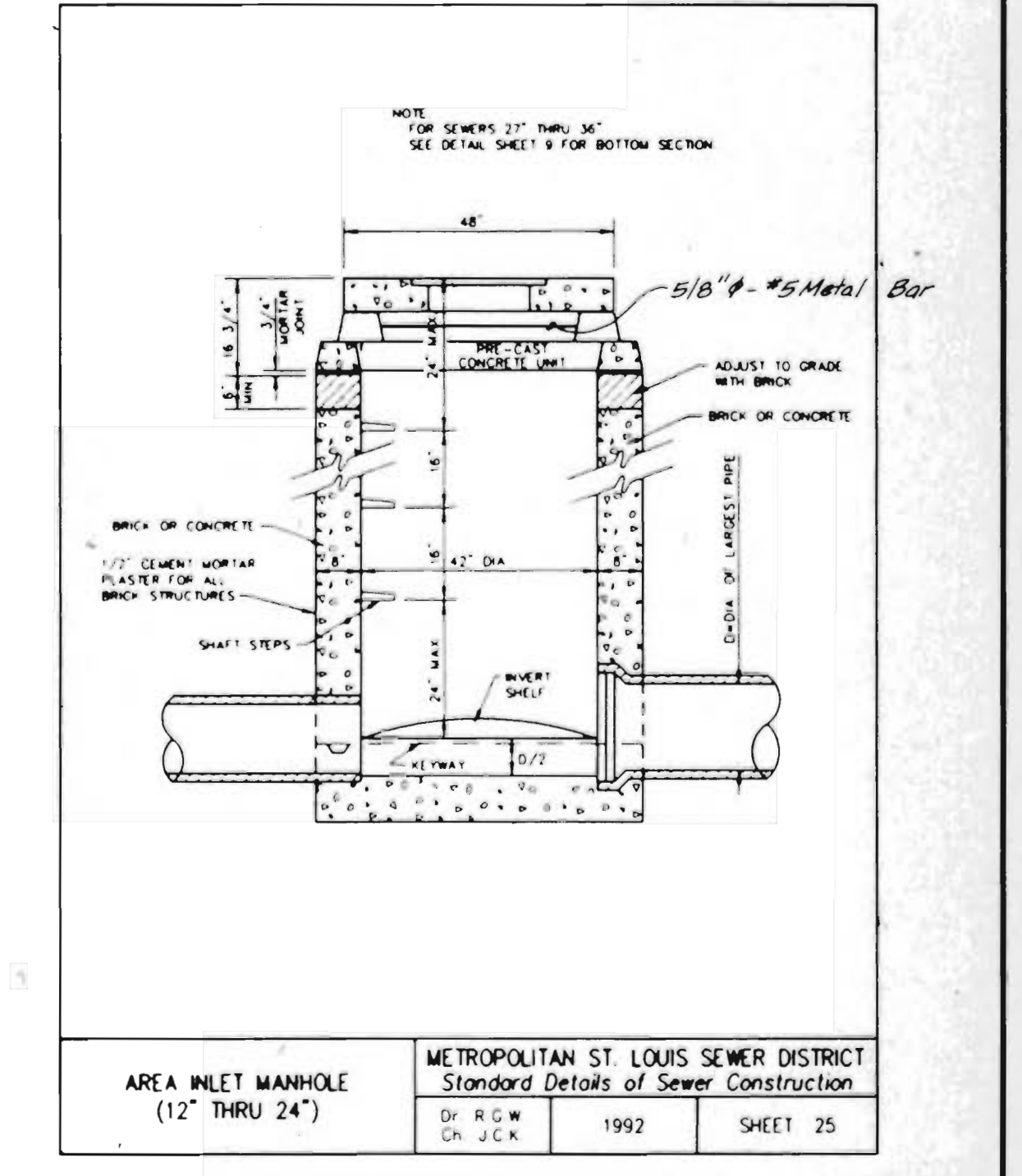
MULTIPLE STREET INLET BRICK CONSTRUCTION
 METROPOLITAN ST. LOUIS SEWER DISTRICT
 Standard Details of Sewer Construction
 D: D.A.B. / Ch: J.C.K. / 1992 / SHEET 22



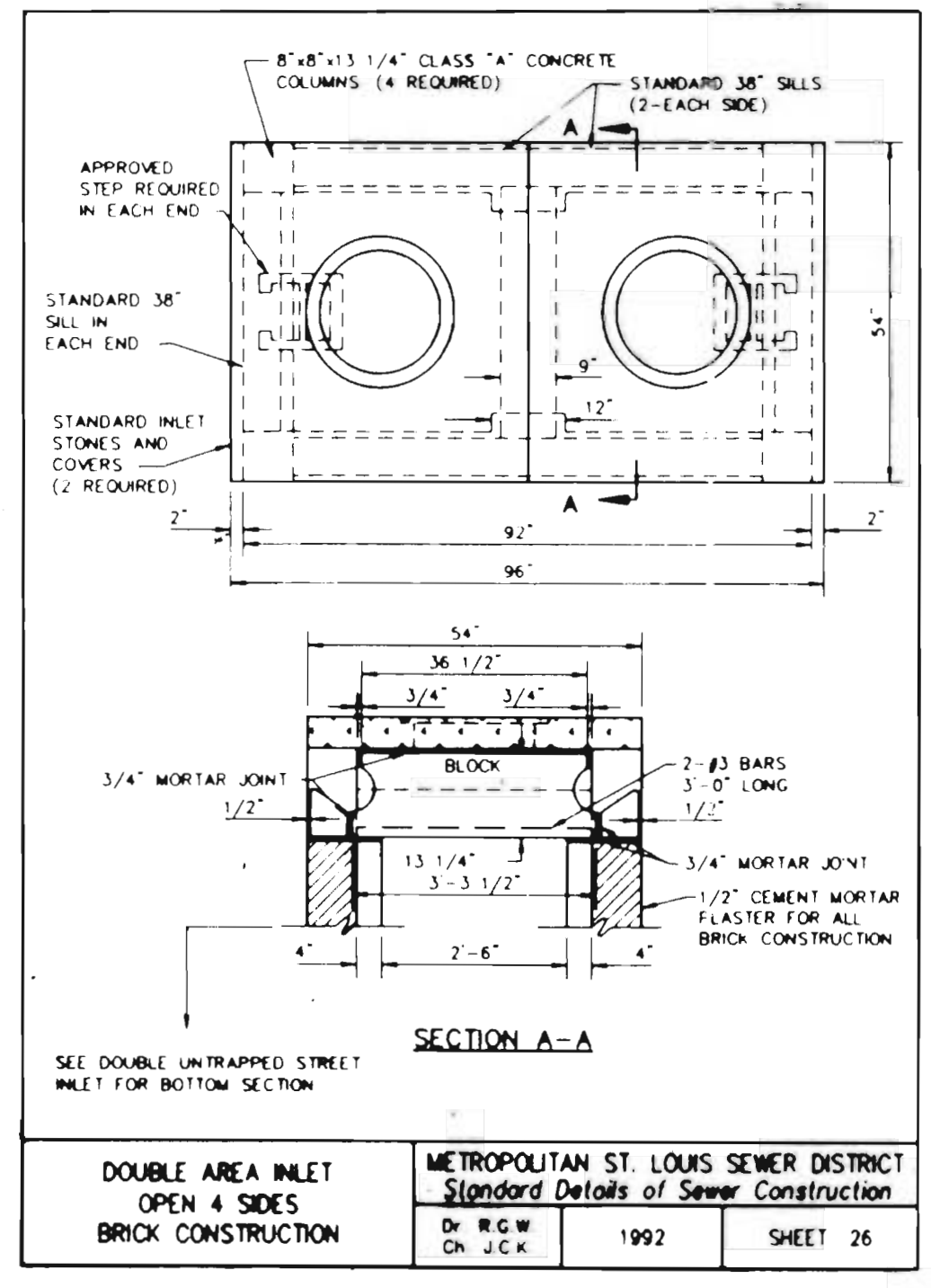
DOUBLE UNTRAPPED STREET INLET BRICK CONSTRUCTION
 METROPOLITAN ST. LOUIS SEWER DISTRICT
 Standard Details of Sewer Construction
 D: D.A.B. / Ch: J.C.K. / 1992 / SHEET 23



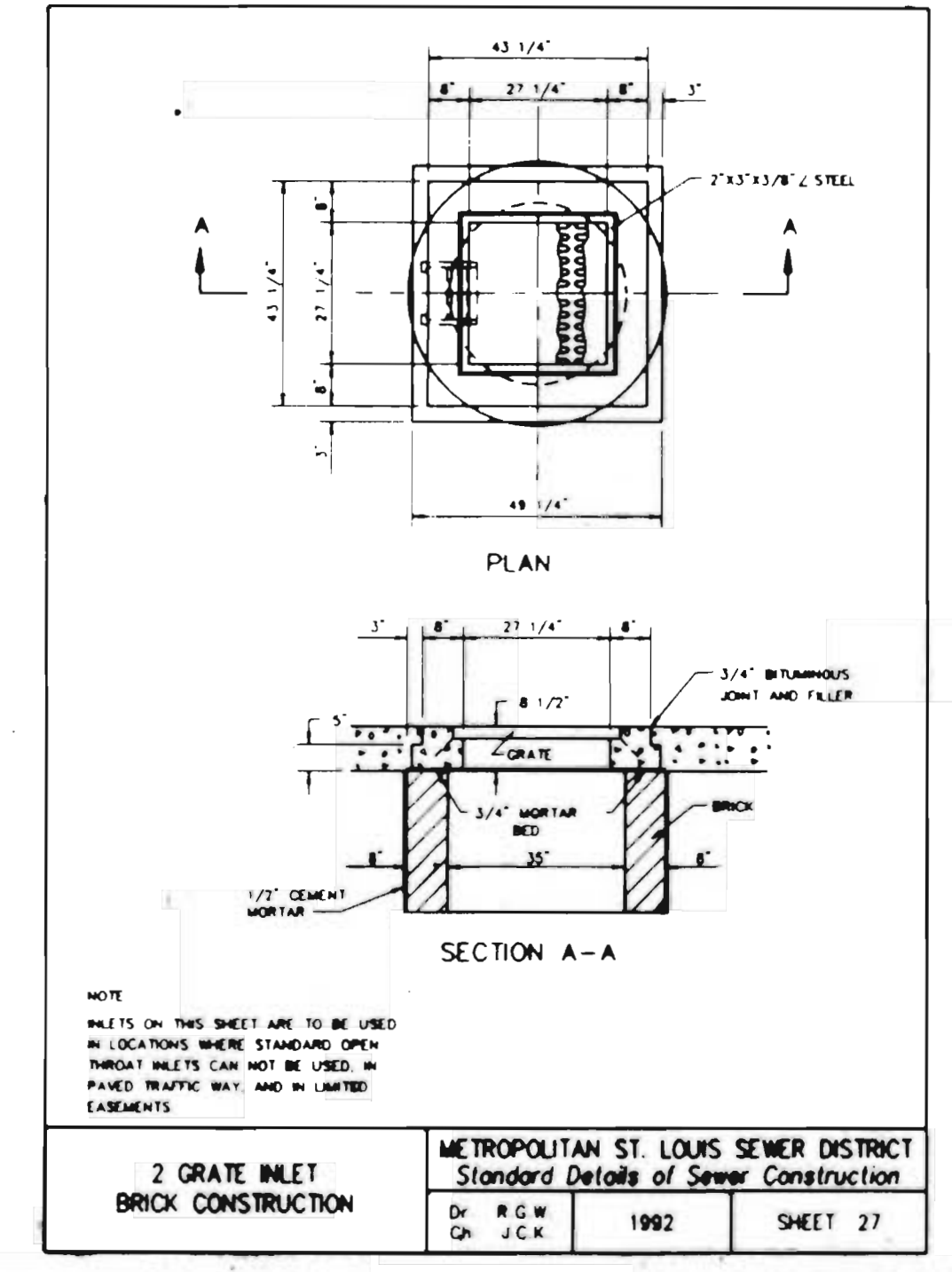
AREA INLET OPEN 4 SIDES BRICK CONSTRUCTION
 METROPOLITAN ST. LOUIS SEWER DISTRICT
 Standard Details of Sewer Construction
 D: R.G.W. / Ch: J.C.K. / 1992 / SHEET 24



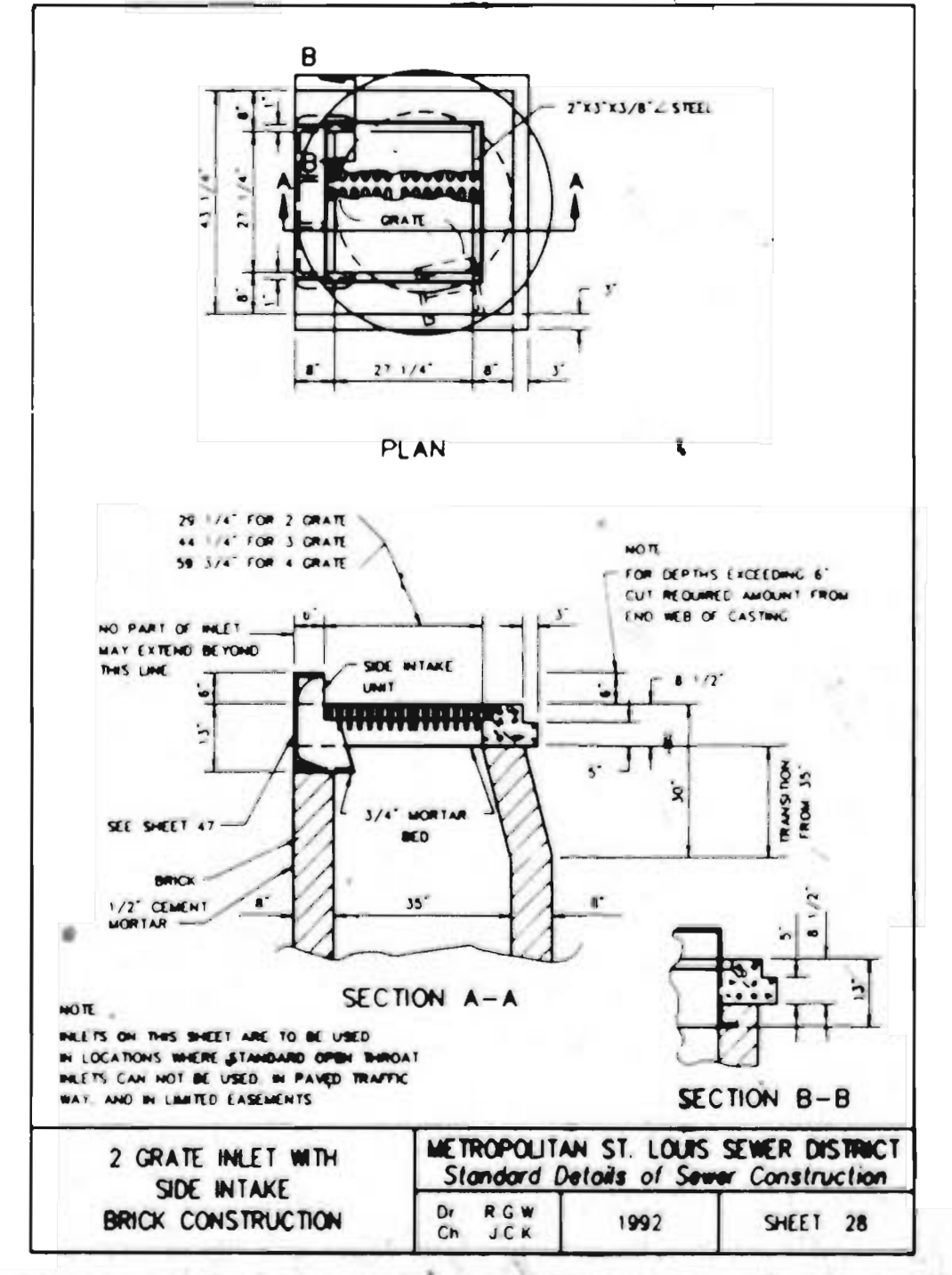
**AREA INLET MANHOLE (12\"/>
 METROPOLITAN ST. LOUIS SEWER DISTRICT
 Standard Details of Sewer Construction
 D: R.G.W. / Ch: J.C.K. / 1992 / SHEET 25**



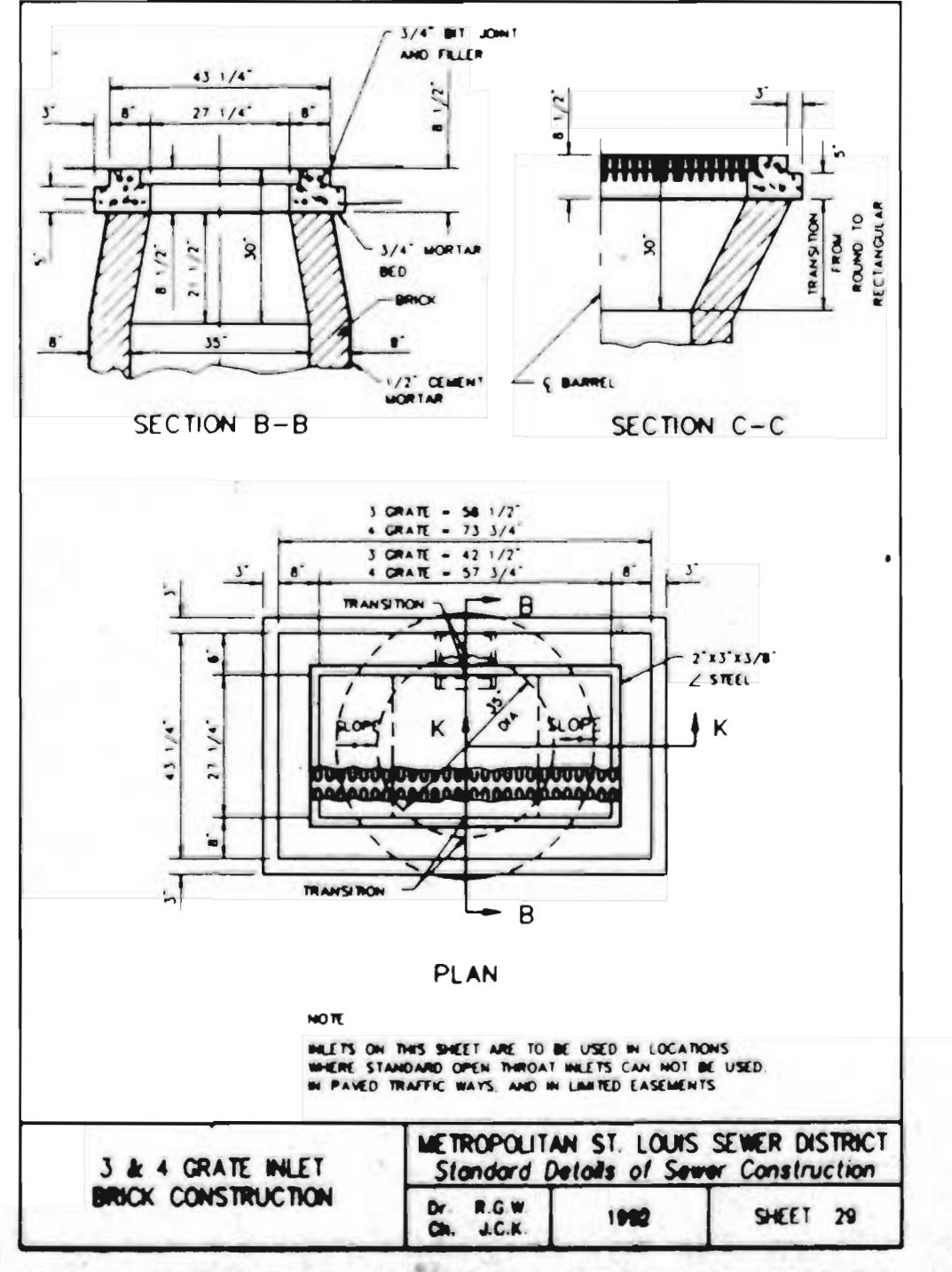
DOUBLE AREA INLET OPEN 4 SIDES BRICK CONSTRUCTION
 METROPOLITAN ST. LOUIS SEWER DISTRICT
 Standard Details of Sewer Construction
 D: R.G.W. / Ch: J.C.K. / 1992 / SHEET 26



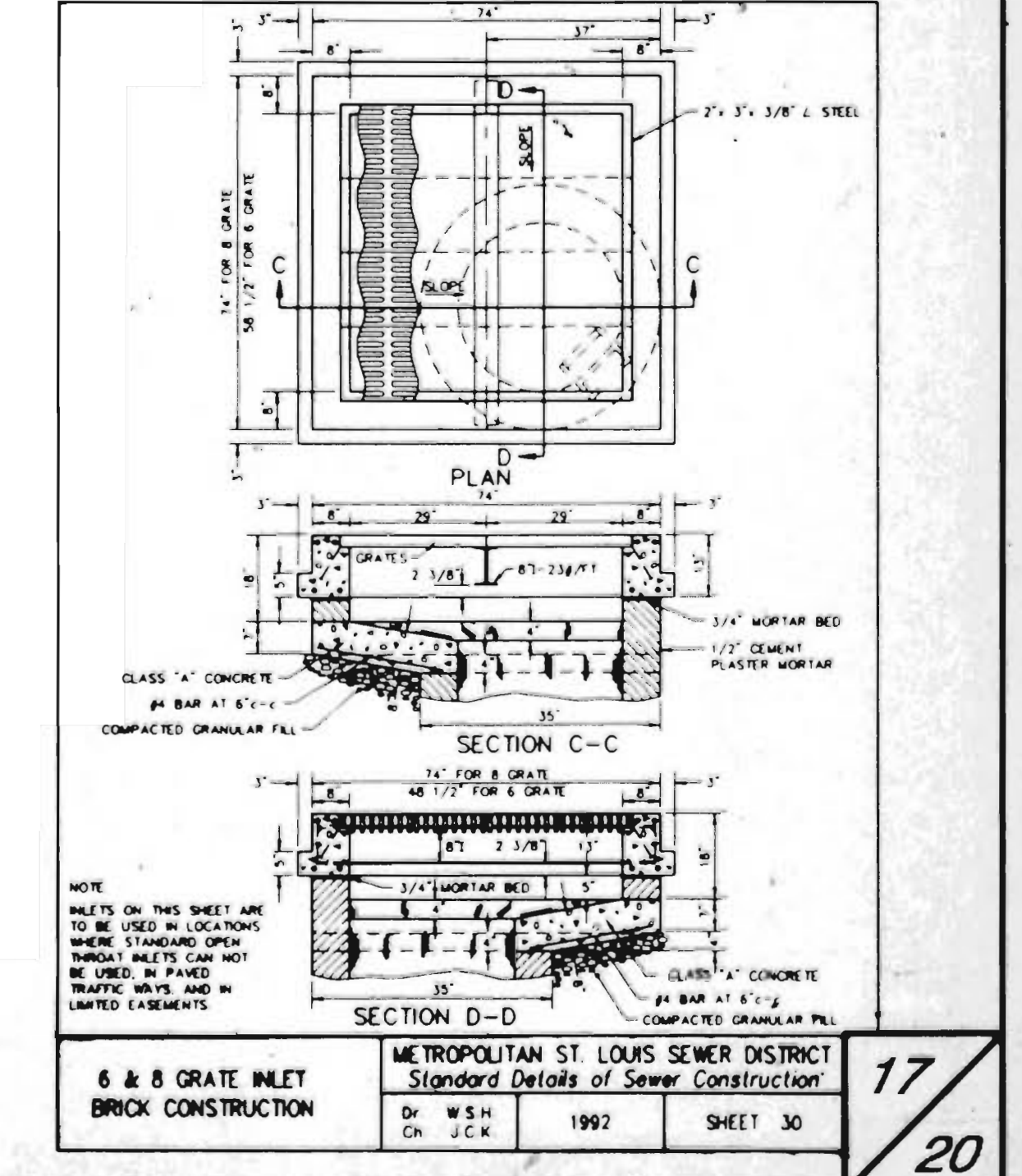
2 GRATE INLET BRICK CONSTRUCTION
 METROPOLITAN ST. LOUIS SEWER DISTRICT
 Standard Details of Sewer Construction
 D: R.G.W. / Ch: J.C.K. / 1992 / SHEET 27



2 GRATE INLET WITH SIDE INTAKE BRICK CONSTRUCTION
 METROPOLITAN ST. LOUIS SEWER DISTRICT
 Standard Details of Sewer Construction
 D: R.G.W. / Ch: J.C.K. / 1992 / SHEET 28



3 & 4 GRATE INLET BRICK CONSTRUCTION
 METROPOLITAN ST. LOUIS SEWER DISTRICT
 Standard Details of Sewer Construction
 D: R.G.W. / Ch: J.C.K. / 1992 / SHEET 29



6 & 8 GRATE INLET BRICK CONSTRUCTION
 METROPOLITAN ST. LOUIS SEWER DISTRICT
 Standard Details of Sewer Construction
 D: W.S.H. / Ch: J.C.K. / 1992 / SHEET 30