

PRECAST CONCRETE STORMWATER STRUCTURES

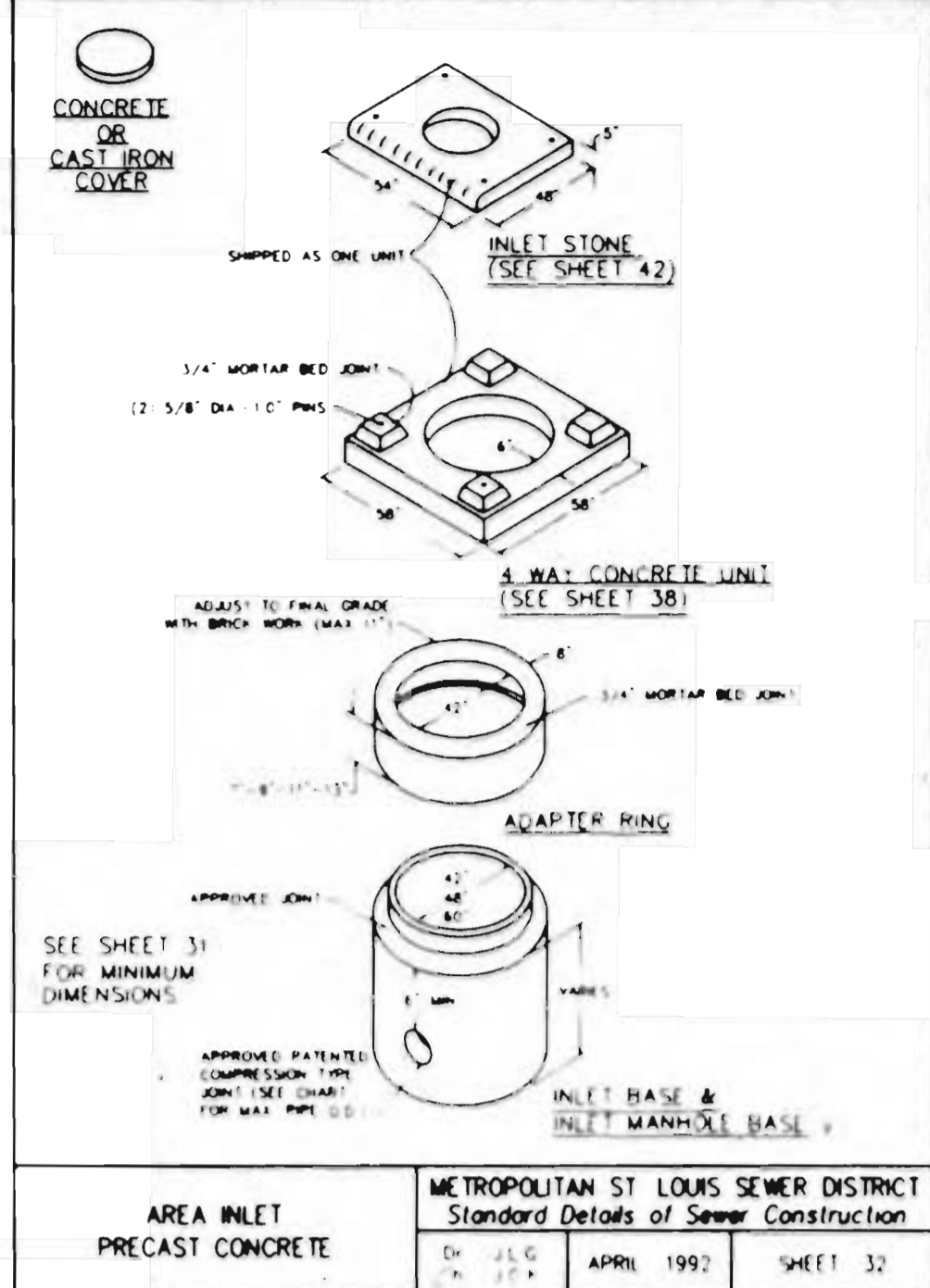
MINIMUM DISTANCE FLOWLINE TO TOP OF STONE OR GRATE

PIPE NO. NOMINAL INCHES	AREA INLET		2 GRATE INLET		SINGLE STREET INLET	
	CIRCULAR BASE DIA.	SQUARE CIRCULAR BASE DIA.	CIRCULAR BASE DIA.	SQUARE CIRCULAR BASE DIA.	CIRCULAR BASE DIA.	RECTANGULAR BASE DIA.
12"	45"	36"	31"	48"	48"	48"
15"	48"	41"	34"	51"	51"	51"
18"	52"	44"	37"	55"	55"	55"
21"	55"	47"	40"	58"	58"	58"
24"	58"	50"	43"	61"	61"	61"
27"	61"	53"	46"	64"	64"	64"
30"	64"	56"	49"	67"	67"	67"
33"	67"	59"	52"	70"	70"	70"

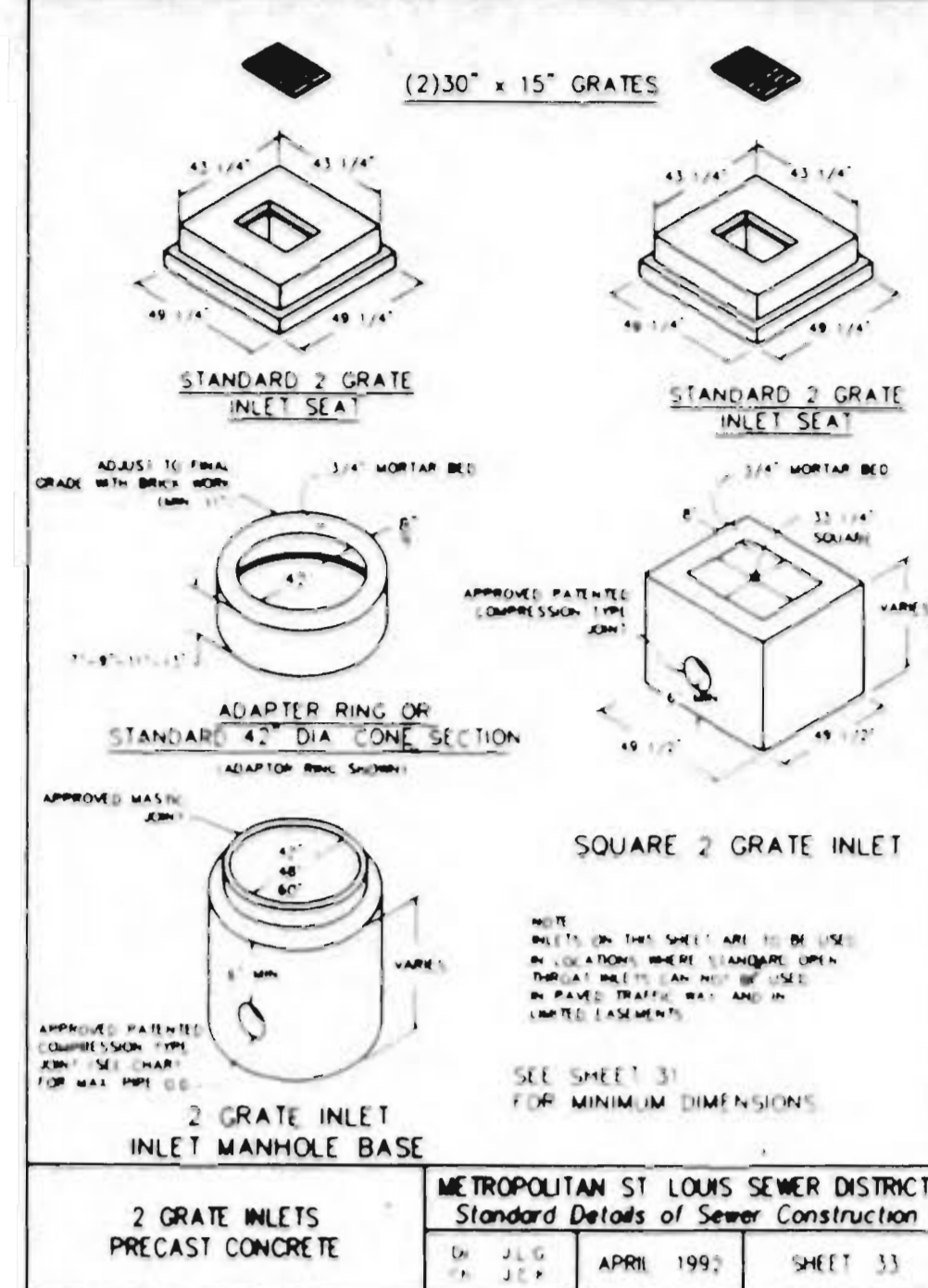
(SEE SHEET 32 FOR DETAILS) (SEE SHEET 33 FOR DETAILS) (SEE SHEET 34 FOR DETAILS)

NOTE: 1. 48" DIA. BASE REQUIRES 7" HIGH TRANSITION SECTION TO 42" DIA. SIMILAR TO ADAPTER RING SHEET 32.
2. 60" DIA. BASE REQUIRES 24" HIGH CONCENTRIC REDUCER TRANSITION TO 42" DIA. SIMILAR TO ADAPTER RING SHEET 32.

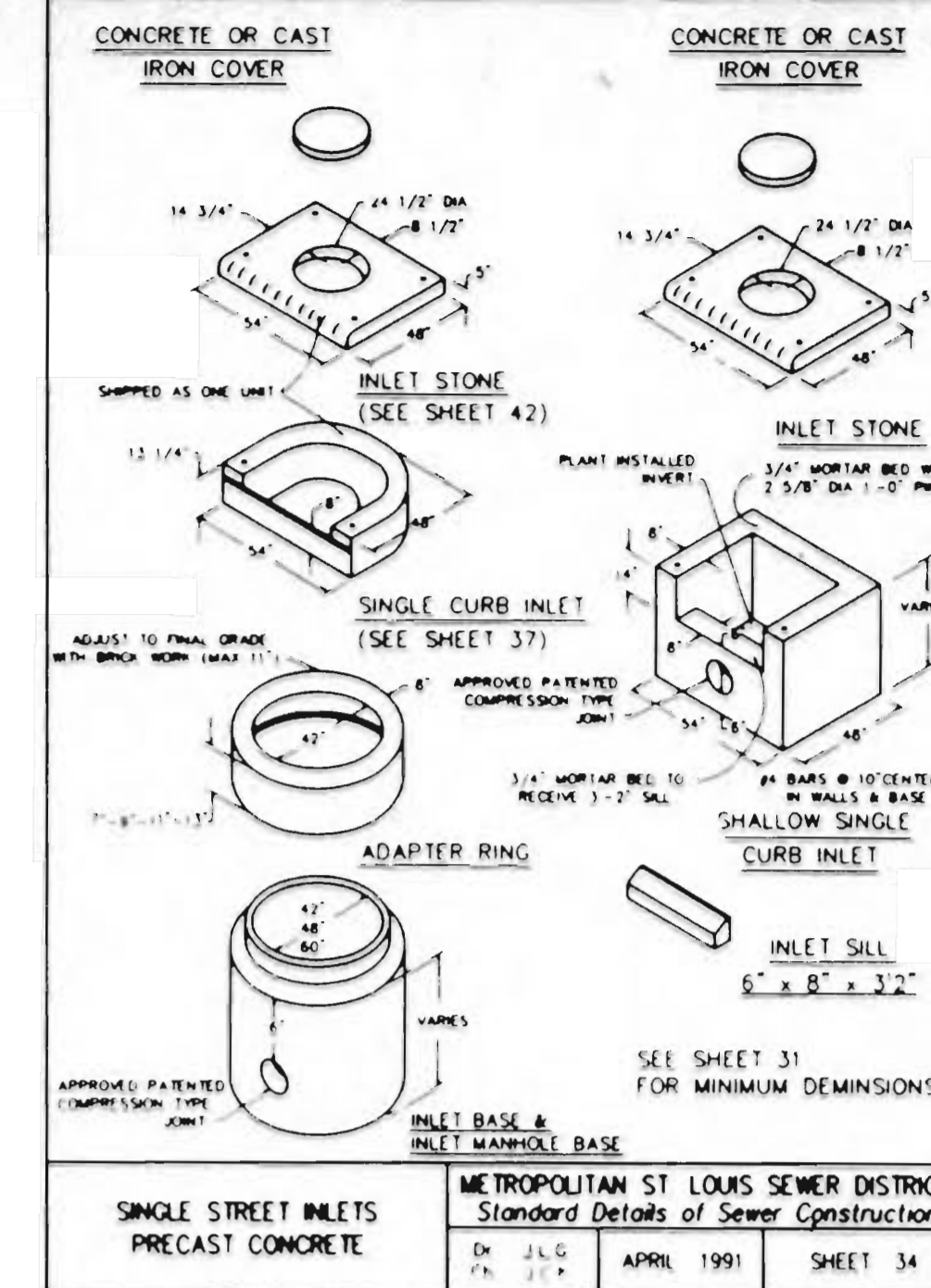
PRECAST CONCRETE STORMWATER STRUCTURES
METROPOLITAN ST. LOUIS SEWER DISTRICT
Standard Details of Sewer Construction
Dr. J.L.G. Sept 1990
Cn. J.C.A. SHEET 31



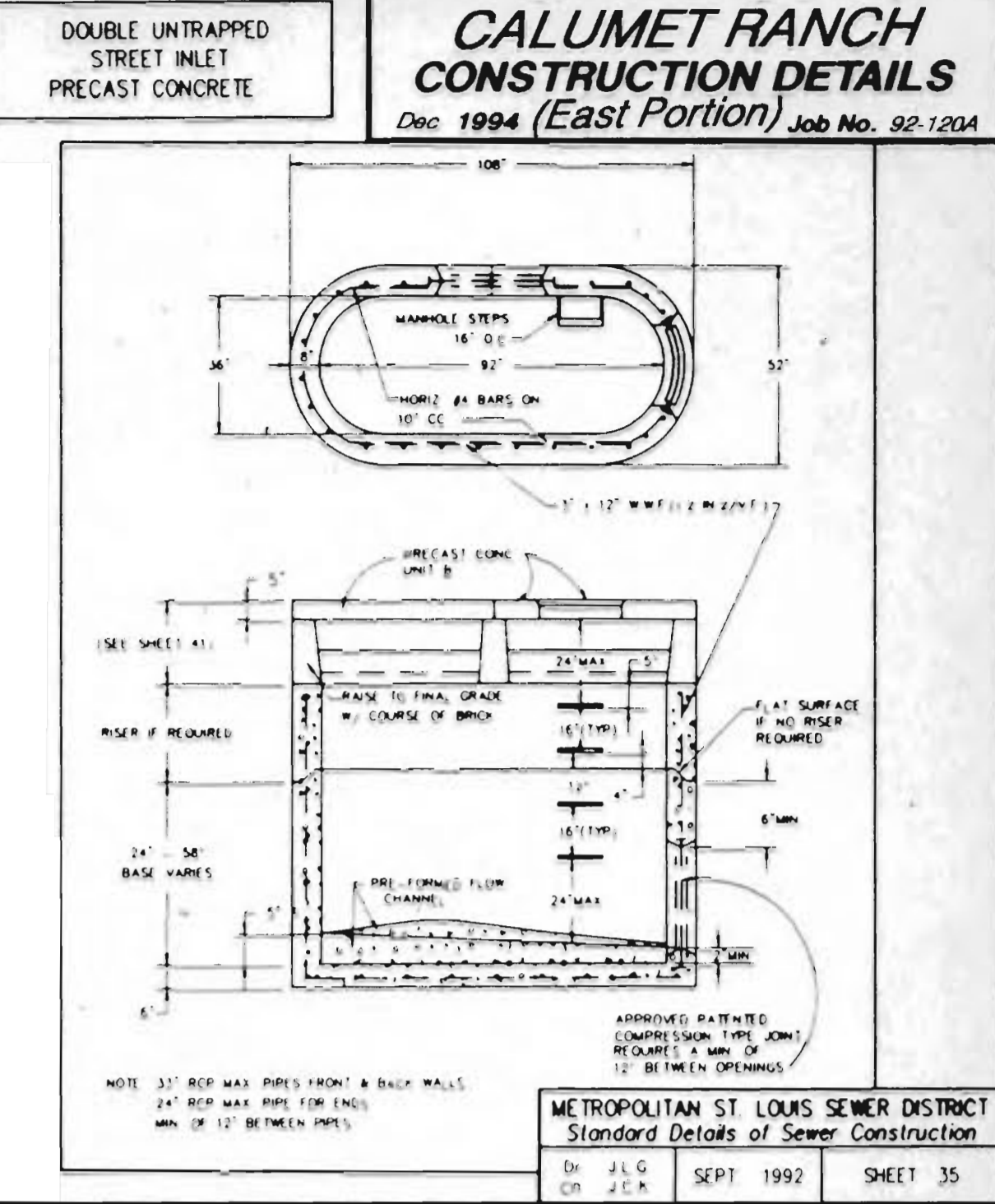
AREA INLET PRECAST CONCRETE
METROPOLITAN ST. LOUIS SEWER DISTRICT
Standard Details of Sewer Construction
Dr. J.L.G. April 1992
Cn. J.C.A. SHEET 32



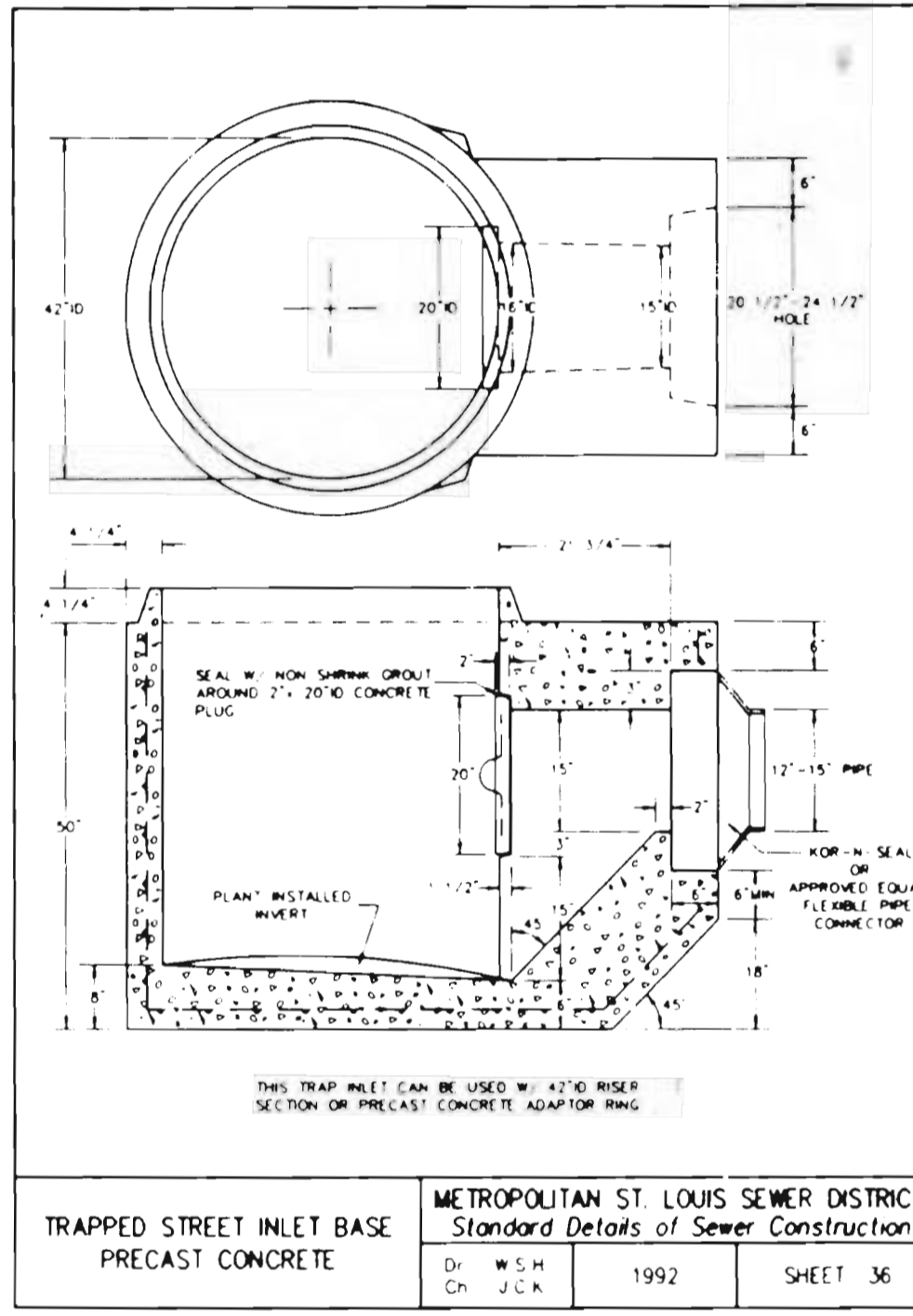
2 GRATE INLETS PRECAST CONCRETE
METROPOLITAN ST. LOUIS SEWER DISTRICT
Standard Details of Sewer Construction
Dr. J.L.G. April 1992
Cn. J.C.A. SHEET 33



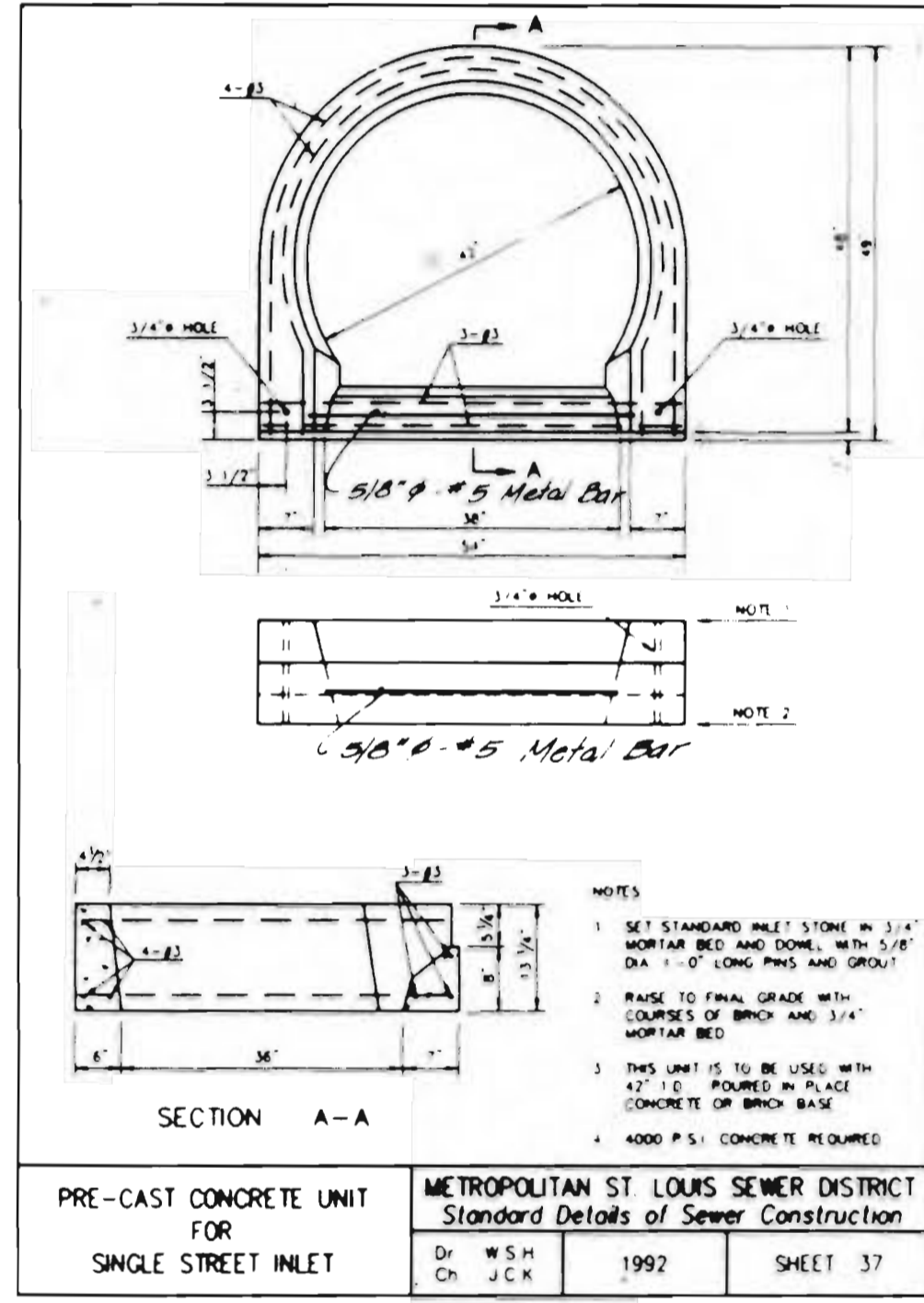
SINGLE STREET INLETS PRECAST CONCRETE
METROPOLITAN ST. LOUIS SEWER DISTRICT
Standard Details of Sewer Construction
Dr. J.L.G. April 1991
Cn. J.C.A. SHEET 34



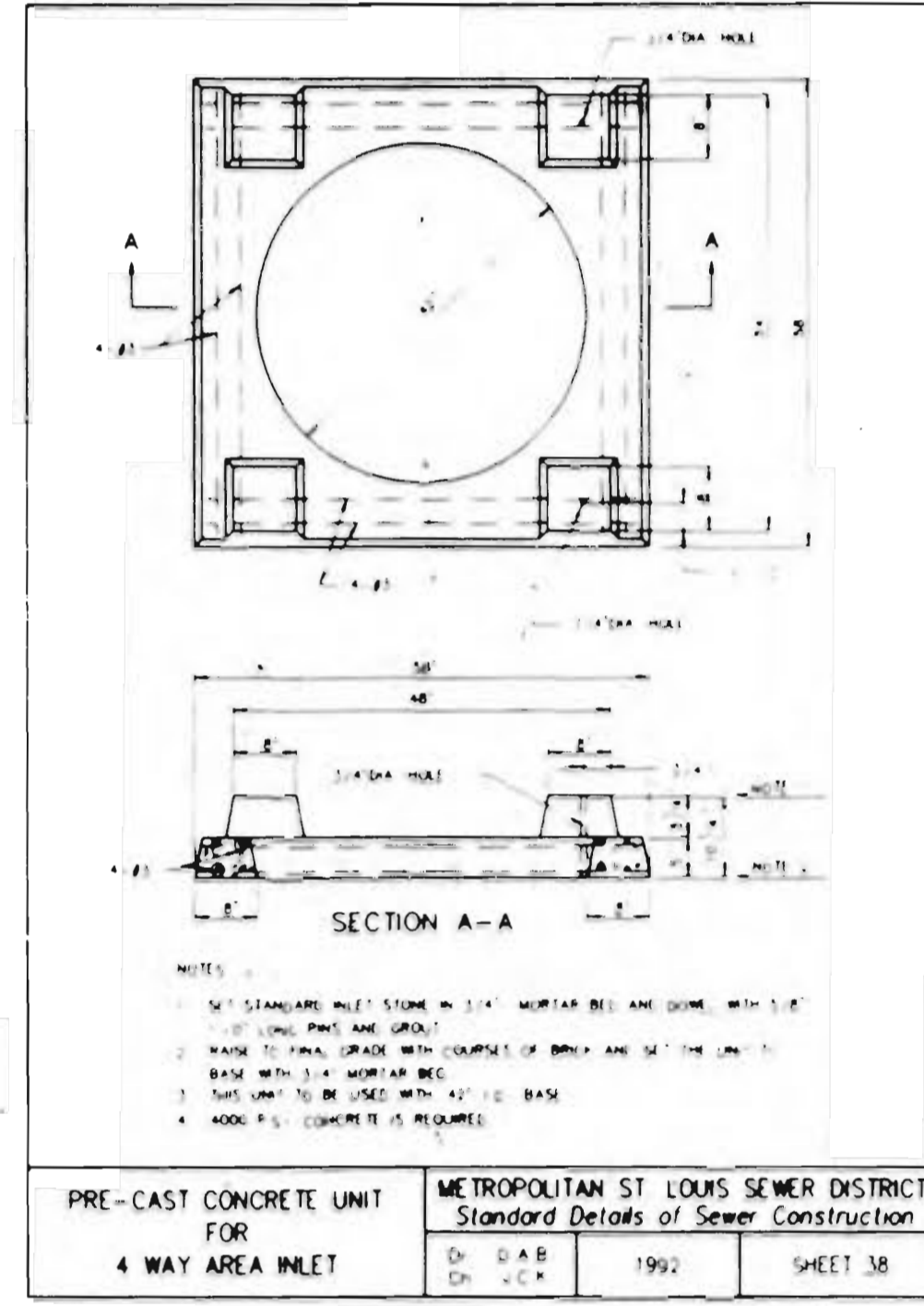
DOUBLE UNTRAPPED STREET INLET PRECAST CONCRETE
CALUMET RANCH CONSTRUCTION DETAILS
Dec 1994 (East Portion) Job No. 92-120A
METROPOLITAN ST. LOUIS SEWER DISTRICT
Standard Details of Sewer Construction
Dr. J.L.G. Sept 1992
Cn. J.C.A. SHEET 35



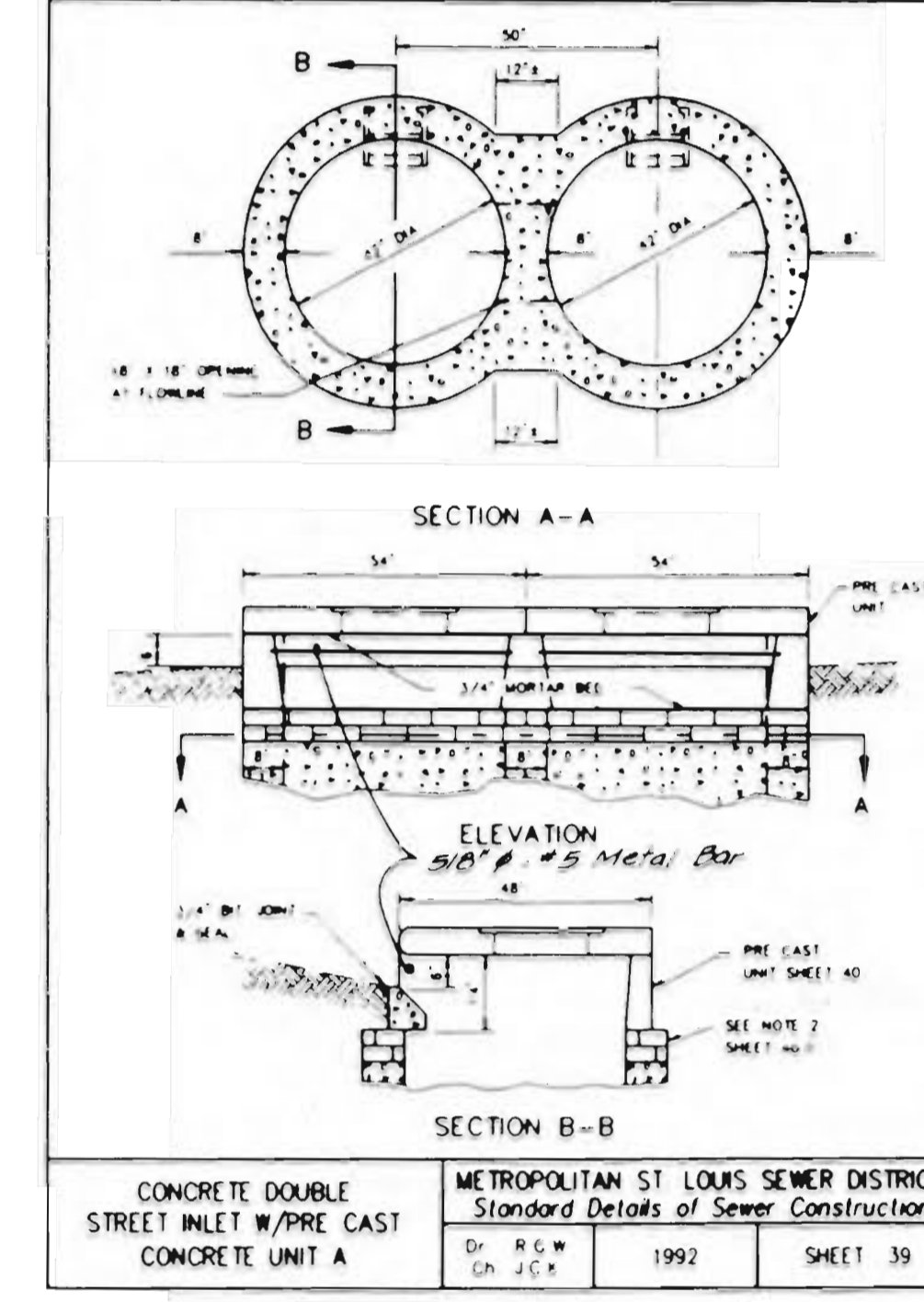
TRAPPED STREET INLET BASE PRECAST CONCRETE
METROPOLITAN ST. LOUIS SEWER DISTRICT
Standard Details of Sewer Construction
Dr. W.S.H. 1992
Cn. J.C.A. SHEET 36



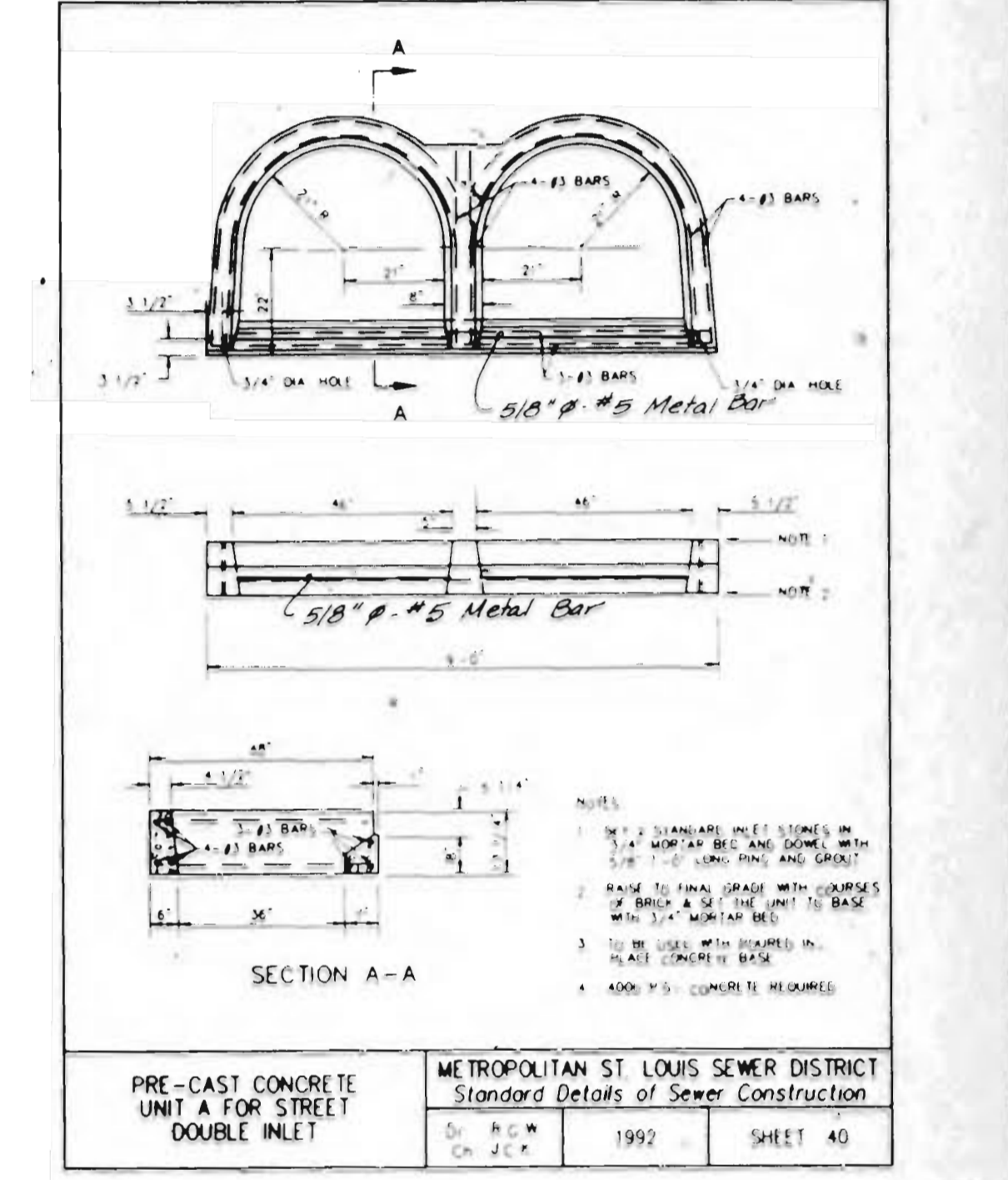
PRE-CAST CONCRETE UNIT FOR SINGLE STREET INLET
METROPOLITAN ST. LOUIS SEWER DISTRICT
Standard Details of Sewer Construction
Dr. W.S.H. 1992
Cn. J.C.A. SHEET 37



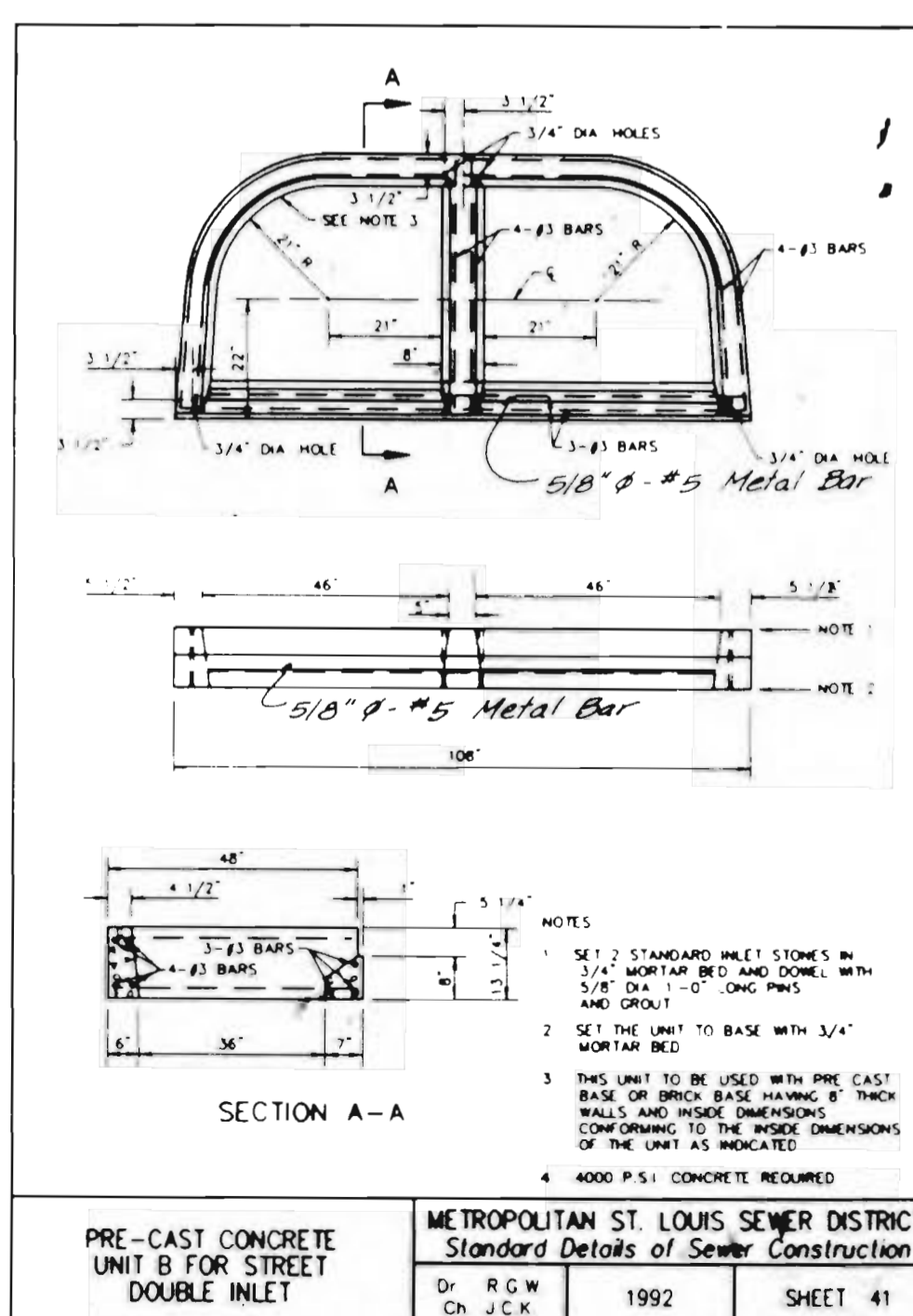
PRE-CAST CONCRETE UNIT FOR 4 WAY AREA INLET
METROPOLITAN ST. LOUIS SEWER DISTRICT
Standard Details of Sewer Construction
Dr. D.A.B. 1992
Cn. J.C.A. SHEET 38



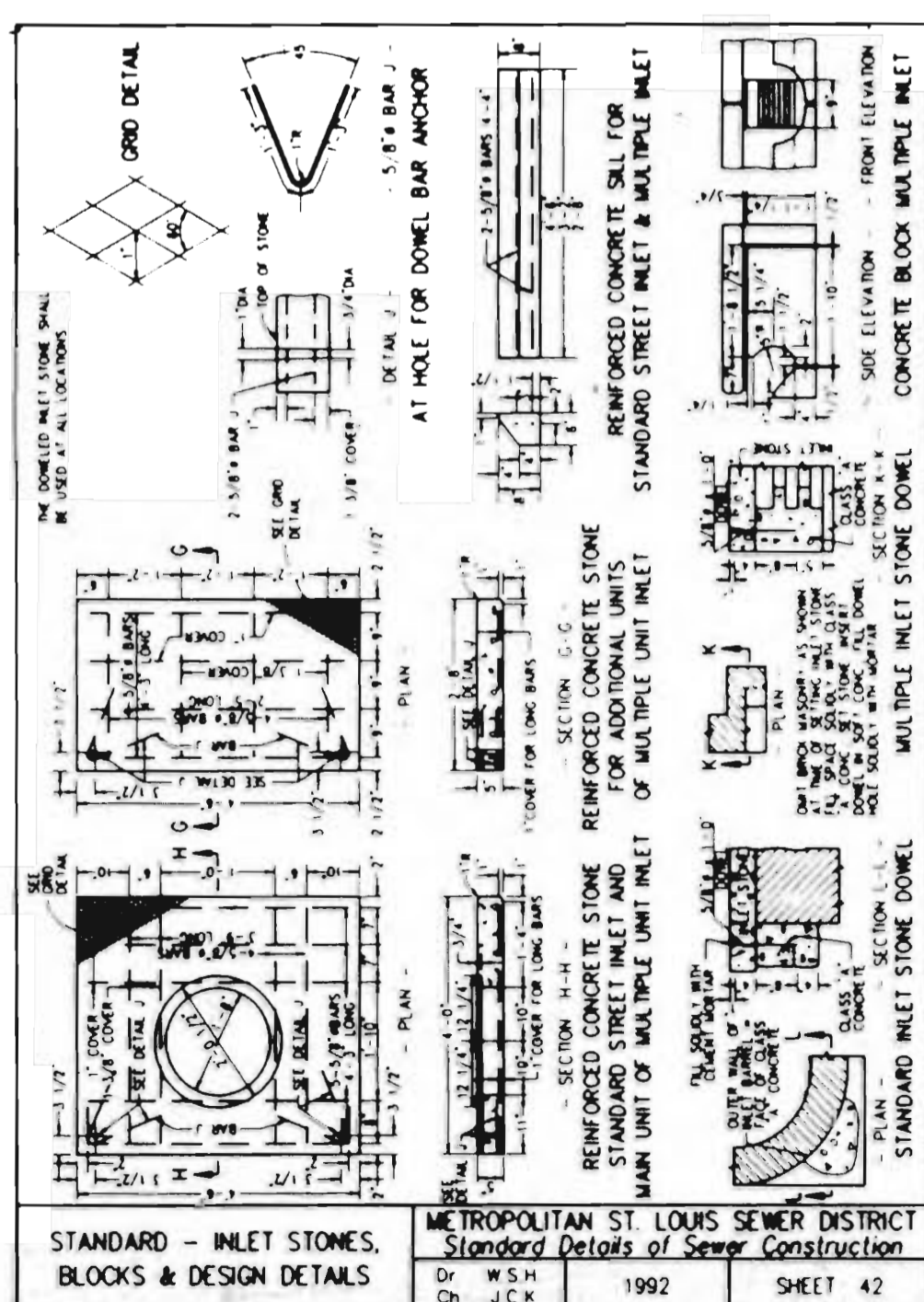
CONCRETE DOUBLE STREET INLET W/PRE CAST CONCRETE UNIT A
METROPOLITAN ST. LOUIS SEWER DISTRICT
Standard Details of Sewer Construction
Dr. R.G.W. 1992
Cn. J.C.A. SHEET 39



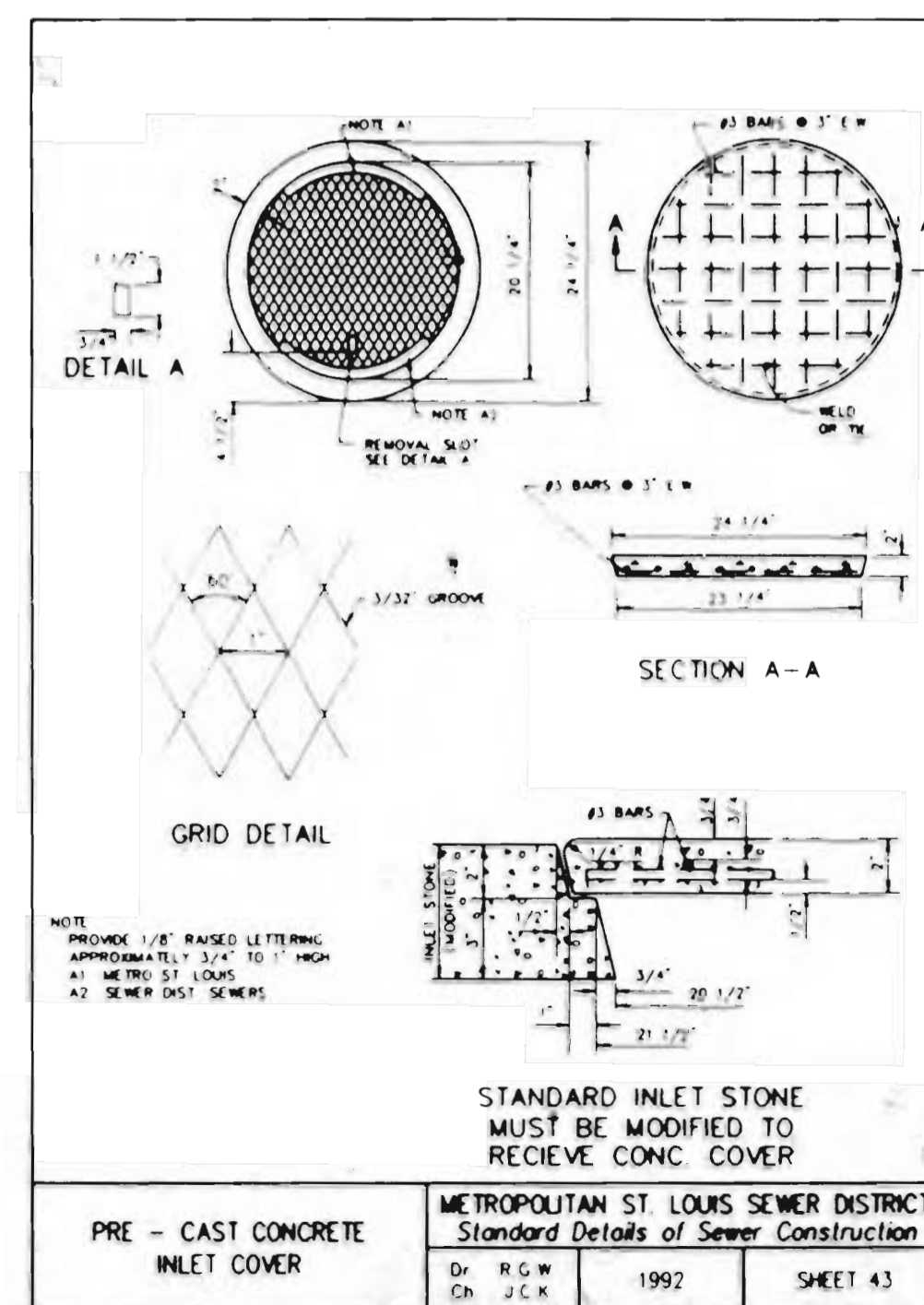
PRE-CAST CONCRETE UNIT A FOR STREET DOUBLE INLET
METROPOLITAN ST. LOUIS SEWER DISTRICT
Standard Details of Sewer Construction
Dr. R.G.W. 1992
Cn. J.C.A. SHEET 40



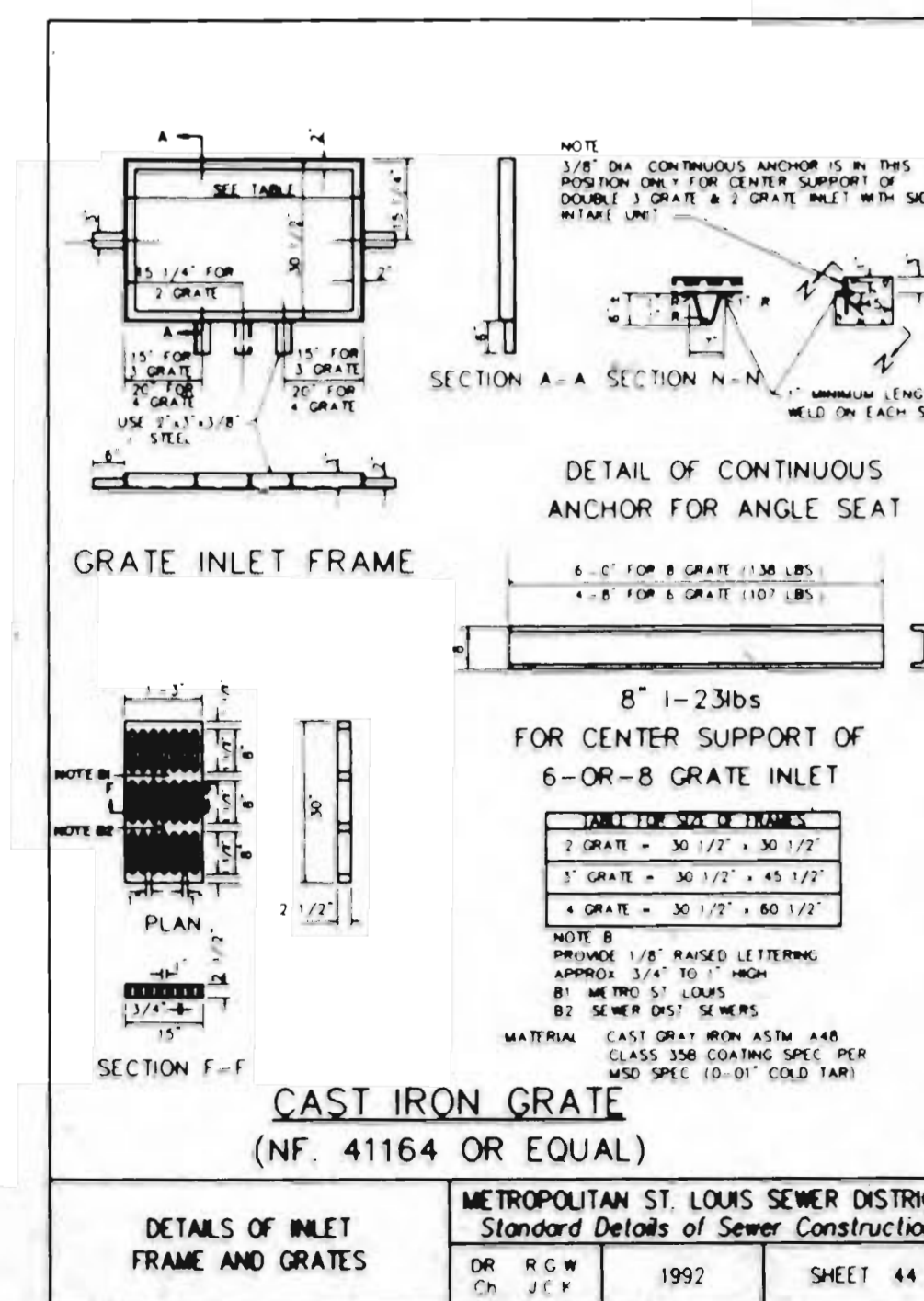
PRE-CAST CONCRETE UNIT B FOR STREET DOUBLE INLET
METROPOLITAN ST. LOUIS SEWER DISTRICT
Standard Details of Sewer Construction
Dr. R.G.W. 1992
Cn. J.C.A. SHEET 41



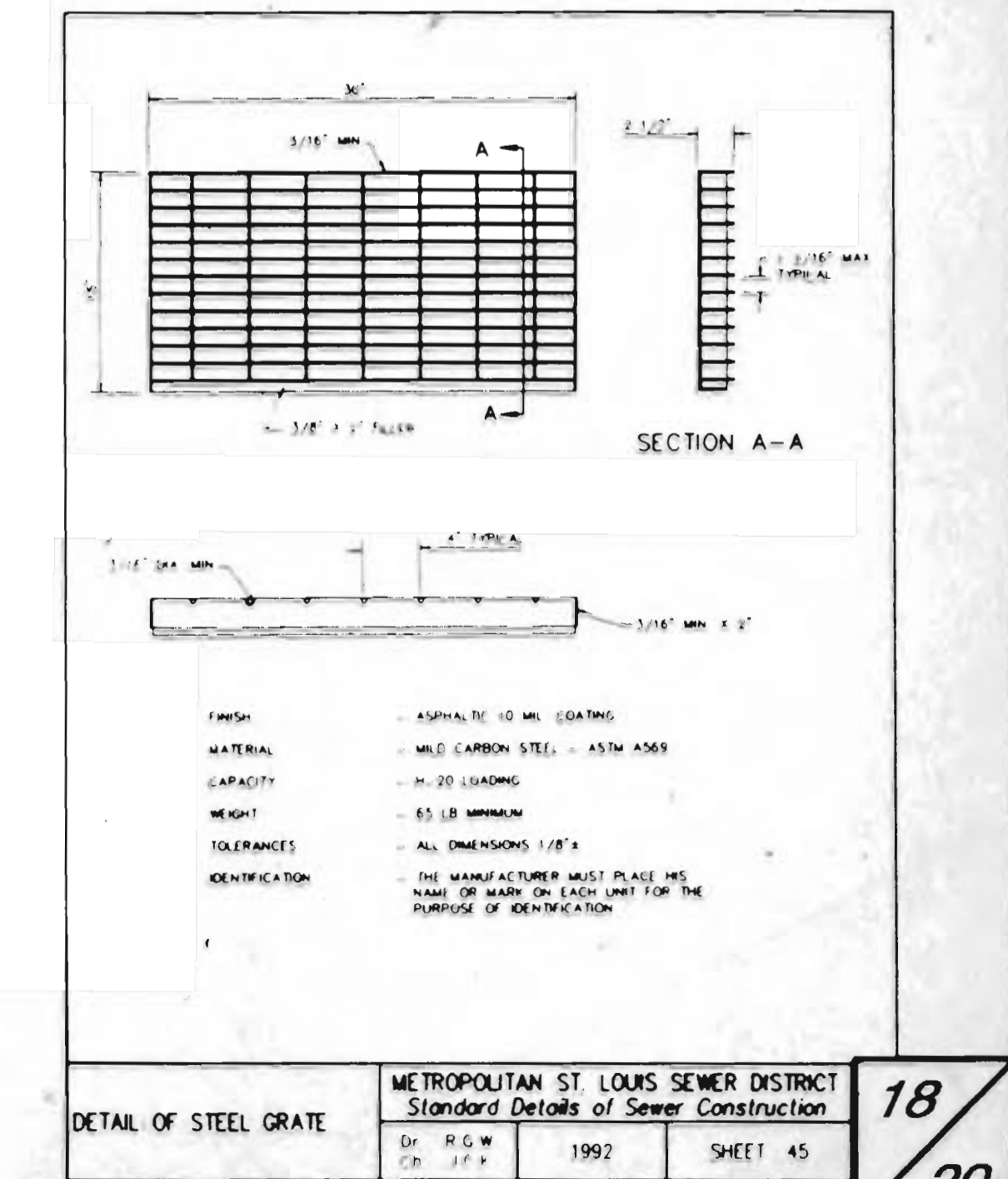
STANDARD - INLET STONES, BLOCKS & DESIGN DETAILS
METROPOLITAN ST. LOUIS SEWER DISTRICT
Standard Details of Sewer Construction
Dr. W.S.H. 1992
Cn. J.C.A. SHEET 42



PRE-CAST CONCRETE INLET COVER
METROPOLITAN ST. LOUIS SEWER DISTRICT
Standard Details of Sewer Construction
Dr. R.S.W. 1992
Cn. J.C.A. SHEET 43



DETAILS OF INLET FRAME AND GRATES
METROPOLITAN ST. LOUIS SEWER DISTRICT
Standard Details of Sewer Construction
Dr. R.G.W. 1992
Cn. J.C.A. SHEET 44



DETAIL OF STEEL GRATE
METROPOLITAN ST. LOUIS SEWER DISTRICT
Standard Details of Sewer Construction
Dr. R.G.W. 1992
Cn. J.C.A. SHEET 45