

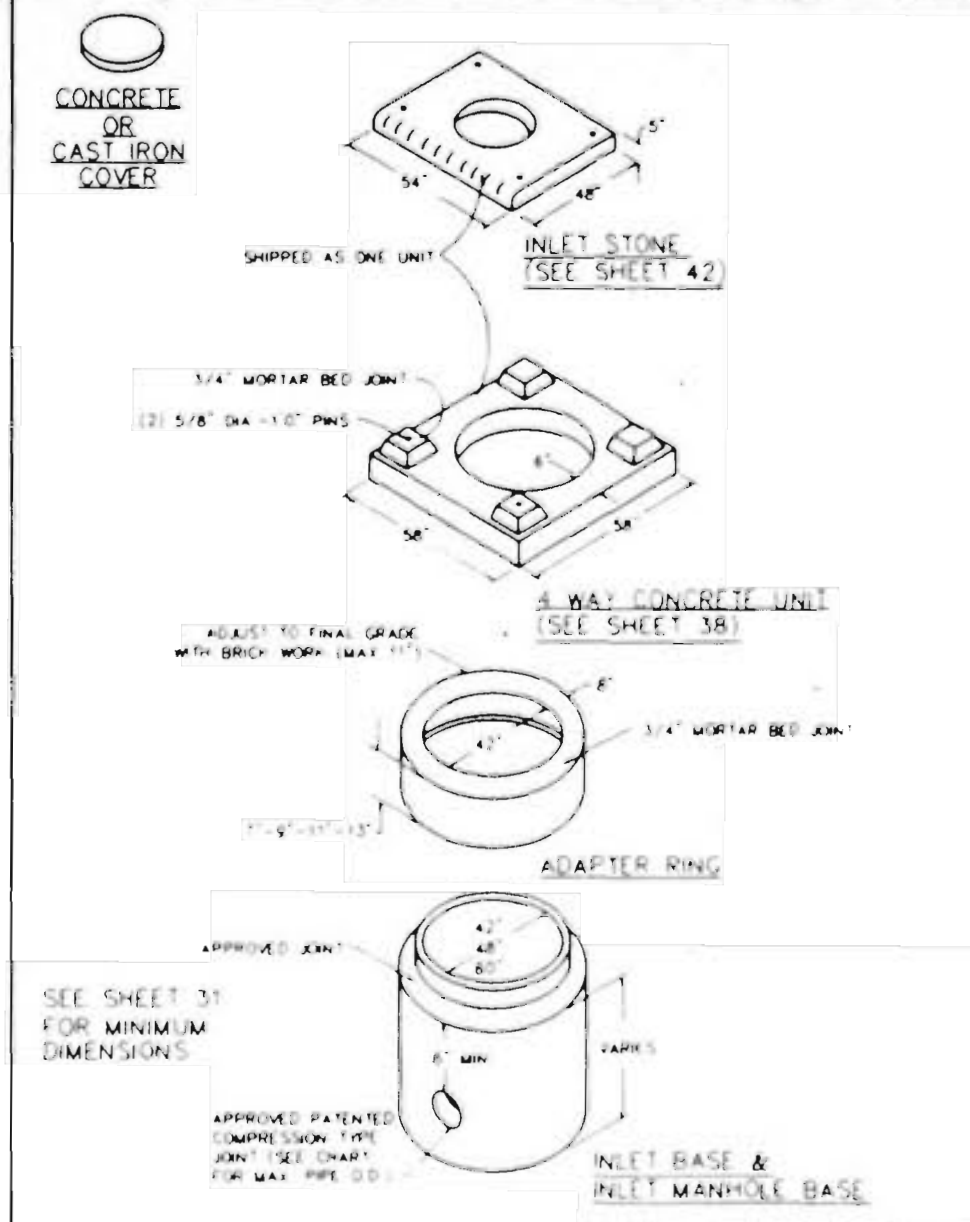
PRECAST CONCRETE STORMWATER STRUCTURES

MINIMUM DISTANCE FLOWLINE TO TOP OF STONE OR GRATE

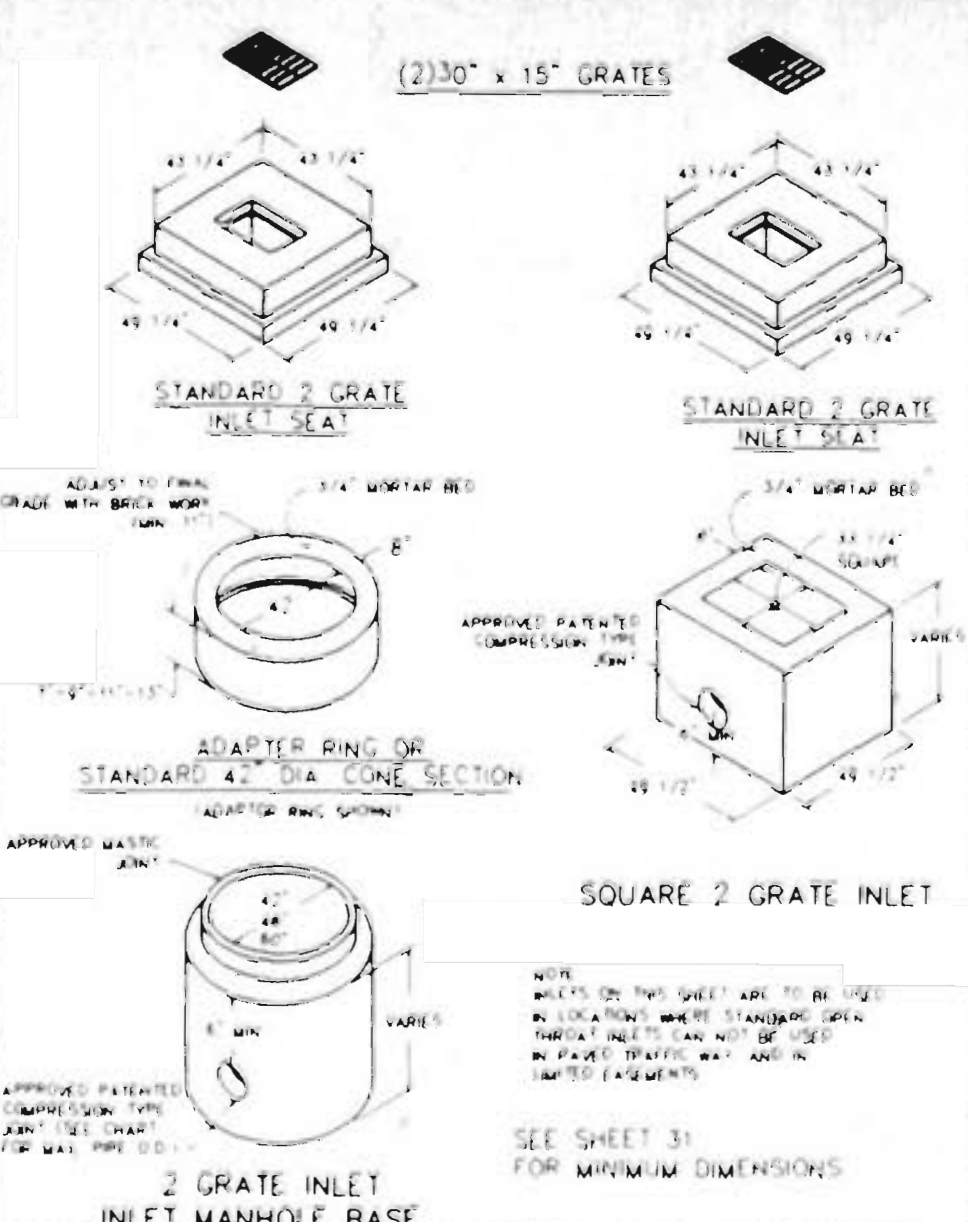
PIPE ID NOMINAL SIZE	AREA INLET CIRCULAR BASE DIA.	2 GRATE INLET CIRCULAR BASE DIA.	SQUARE CIRCULAR BASE DIA. (MAX.)	SINGLE STREET INLET CIRCULAR BASE DIA. (MAX.)
12"	45"	38"	34"	41"
15"	48"	41"	37"	44"
18"	52"	44"	39"	47"
21"	55"	47"	40"	50"
24"	58"	51"	44"	54"
27"	62"	54"	47"	58"
30"	65"	57"	50"	61"
33"	68"	60"	53"	64"

NOTE: 1. 48" DIA. BASE REQUIRES 1" HIGH TRANSITION SECTION TO 42" DIA. SIMILAR TO ADAPTER RING SHEET 32.
2. 60" DIA. BASE REQUIRES 2 1/4" HIGH CONCENTRIC REDUCER TRANSITION TO 42" DIA. SIMILAR TO ADAPTER RING SHEET 32.

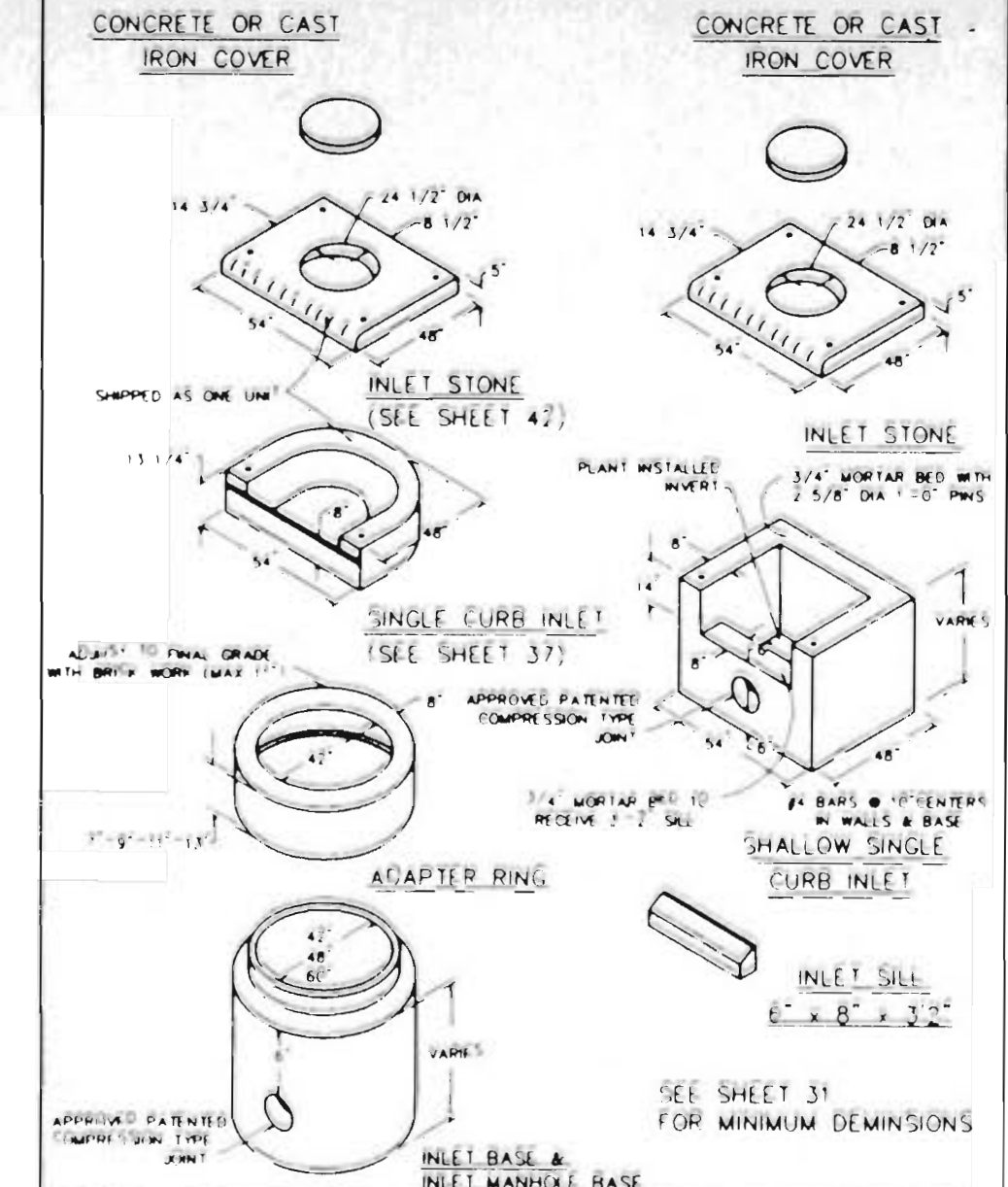
PRECAST CONCRETE STORMWATER STRUCTURES
METROPOLITAN ST. LOUIS SEWER DISTRICT
Standard Details of Sewer Construction
DR. J.L.G. OR. J.C.K. SEPT. 1990 SHEET 31



AREA INLET PRECAST CONCRETE
METROPOLITAN ST. LOUIS SEWER DISTRICT
Standard Details of Sewer Construction
DR. J.L.G. OR. J.C.K. APRIL 1992 SHEET 32

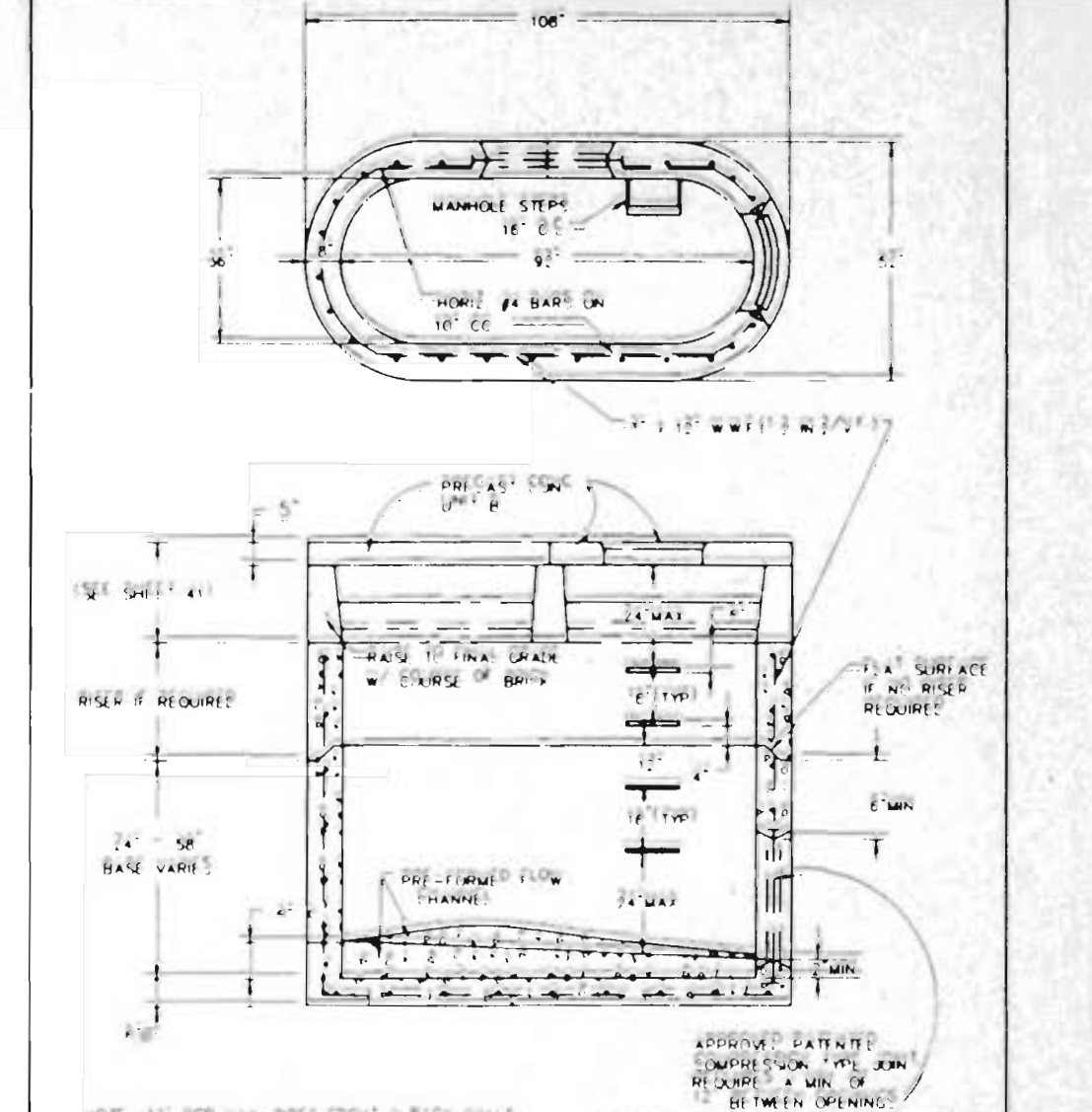


2 GRATE INLETS PRECAST CONCRETE
METROPOLITAN ST. LOUIS SEWER DISTRICT
Standard Details of Sewer Construction
DR. J.L.G. OR. J.C.K. APRIL 1992 SHEET 33

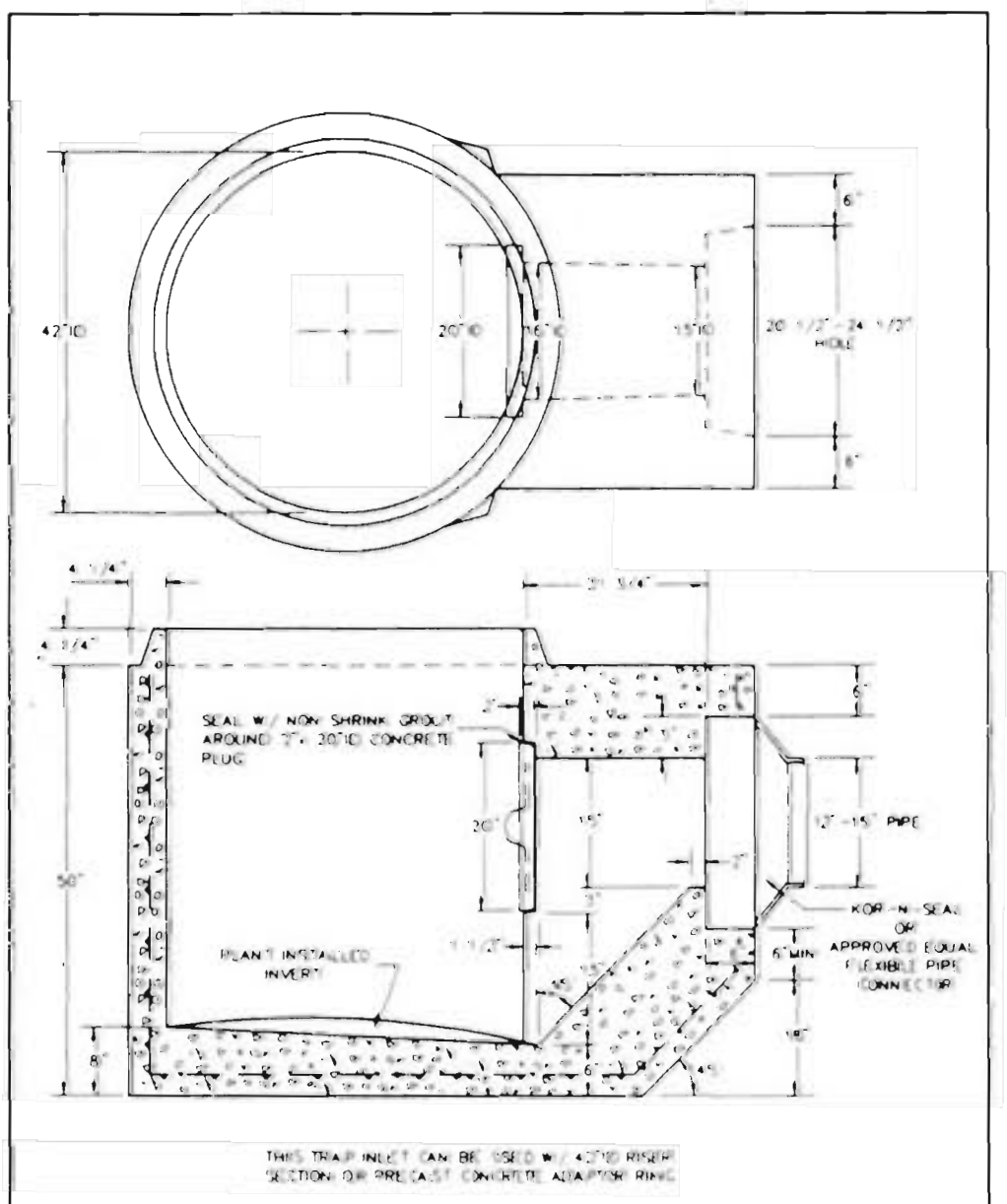


SINGLE STREET INLETS PRECAST CONCRETE
METROPOLITAN ST. LOUIS SEWER DISTRICT
Standard Details of Sewer Construction
DR. J.L.G. OR. J.C.K. APRIL 1991 SHEET 34

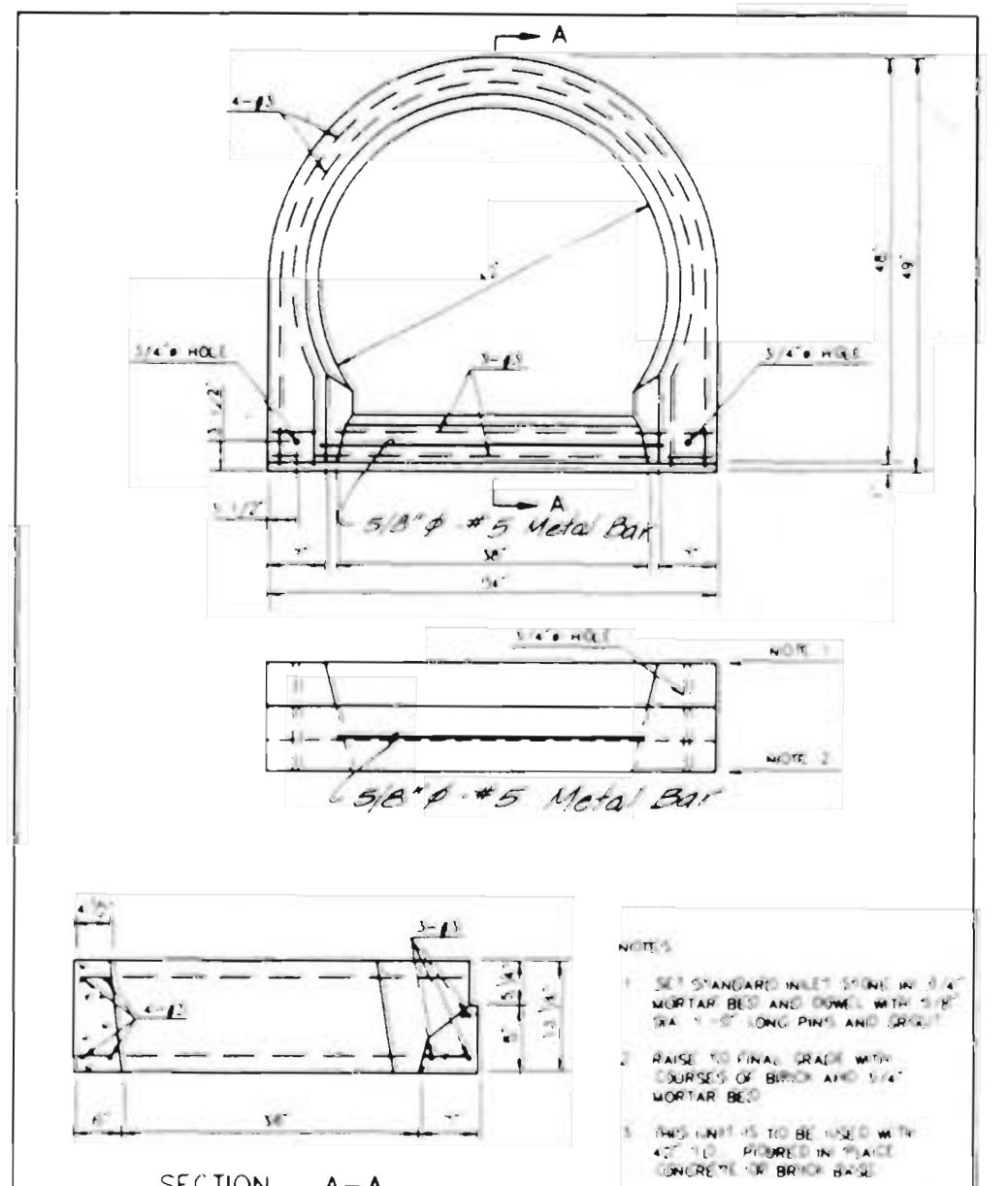
CALUMET RANCH CONSTRUCTION DETAILS
March, 1995 (West Portion) Job No. 92-120A



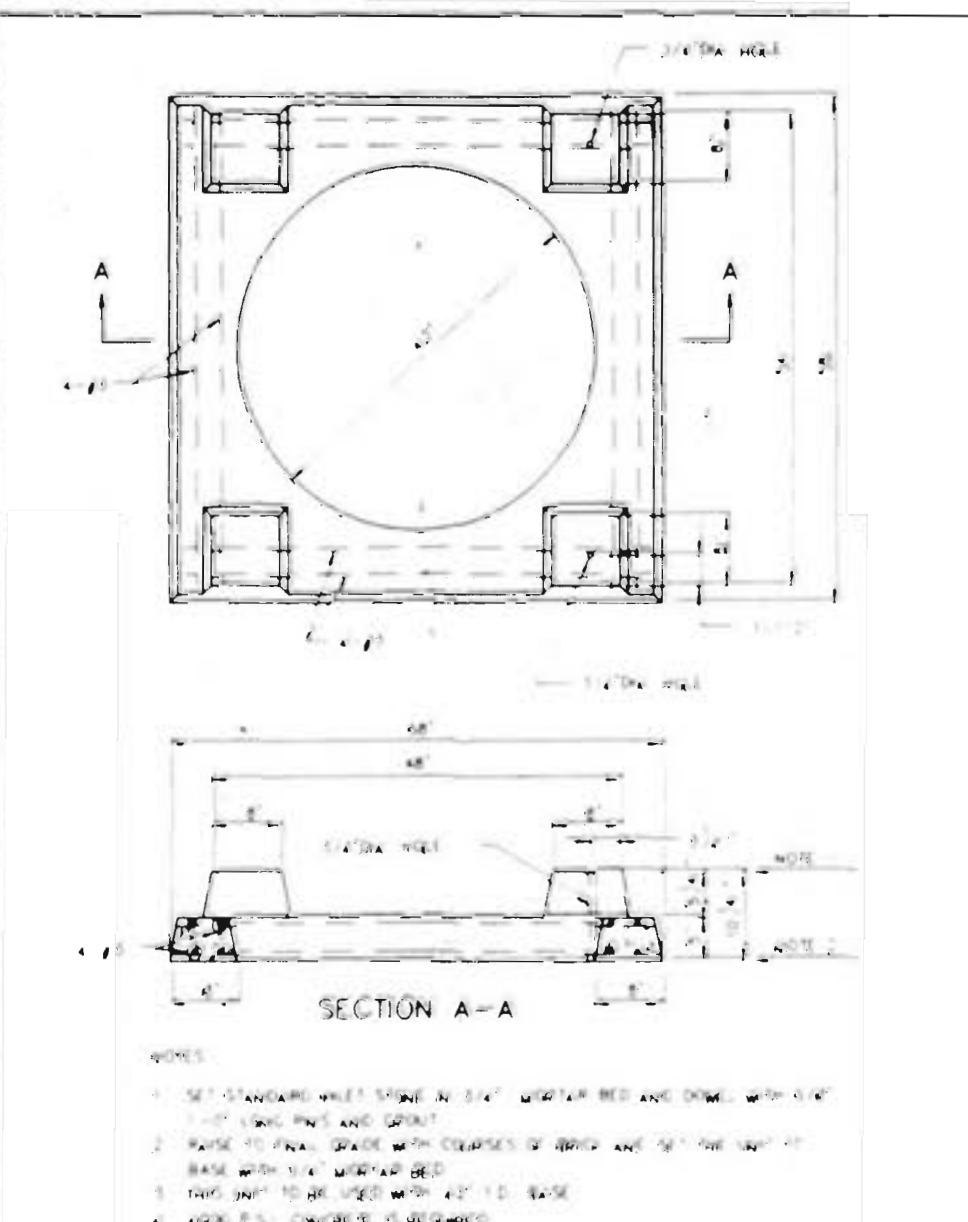
DOUBLE UNTRAPPED STREET INLET PRECAST CONCRETE
METROPOLITAN ST. LOUIS SEWER DISTRICT
Standard Details of Sewer Construction
DR. J.L.G. OR. J.C.K. SEPT. 1992 SHEET 35



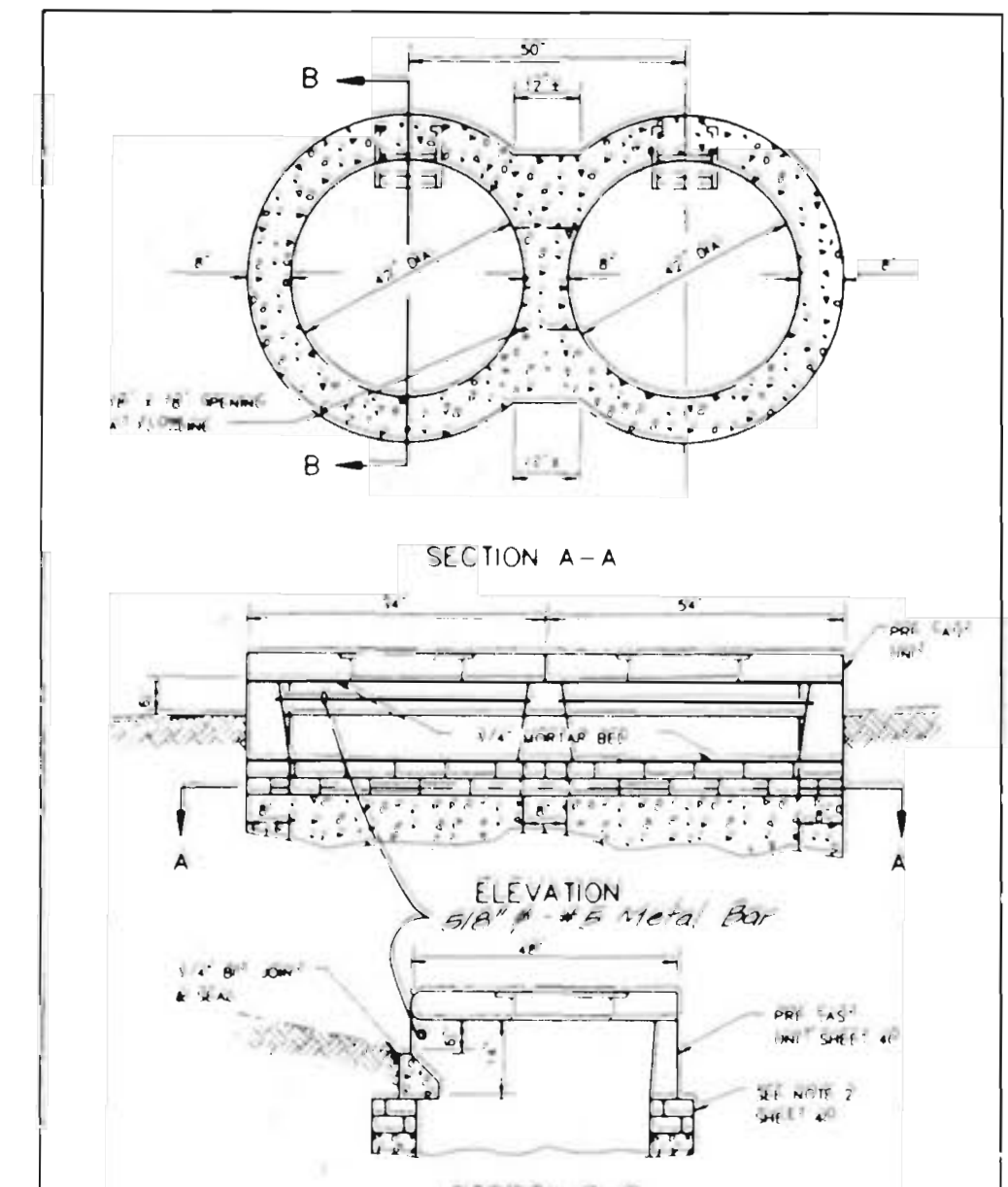
TRAPPED STREET INLET BASE PRECAST CONCRETE
METROPOLITAN ST. LOUIS SEWER DISTRICT
Standard Details of Sewer Construction
DR. W.S.H. OR. J.C.K. 1992 SHEET 36



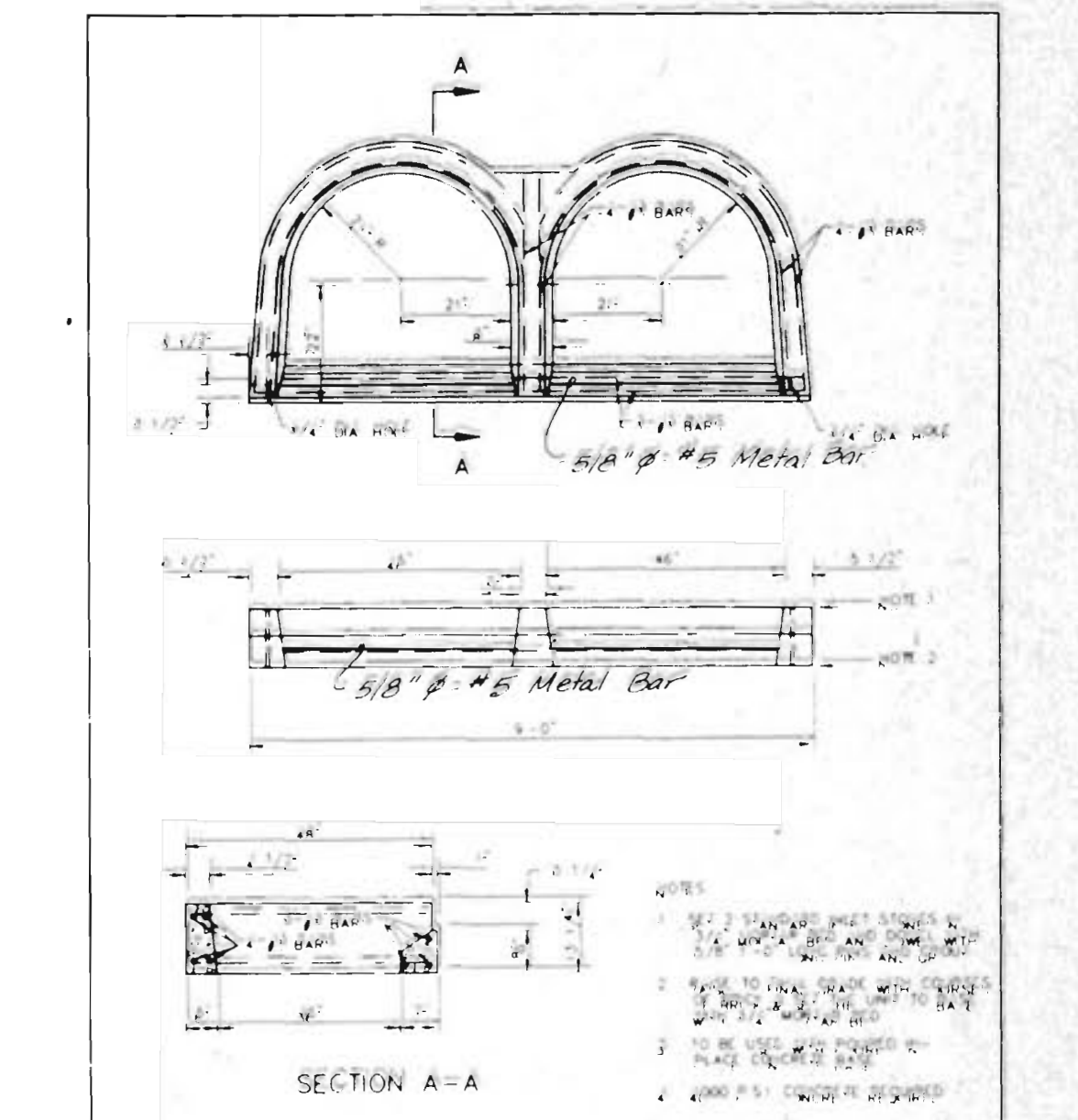
PRE-CAST CONCRETE UNIT FOR SINGLE STREET INLET
METROPOLITAN ST. LOUIS SEWER DISTRICT
Standard Details of Sewer Construction
DR. W.S.H. OR. J.C.K. 1992 SHEET 37



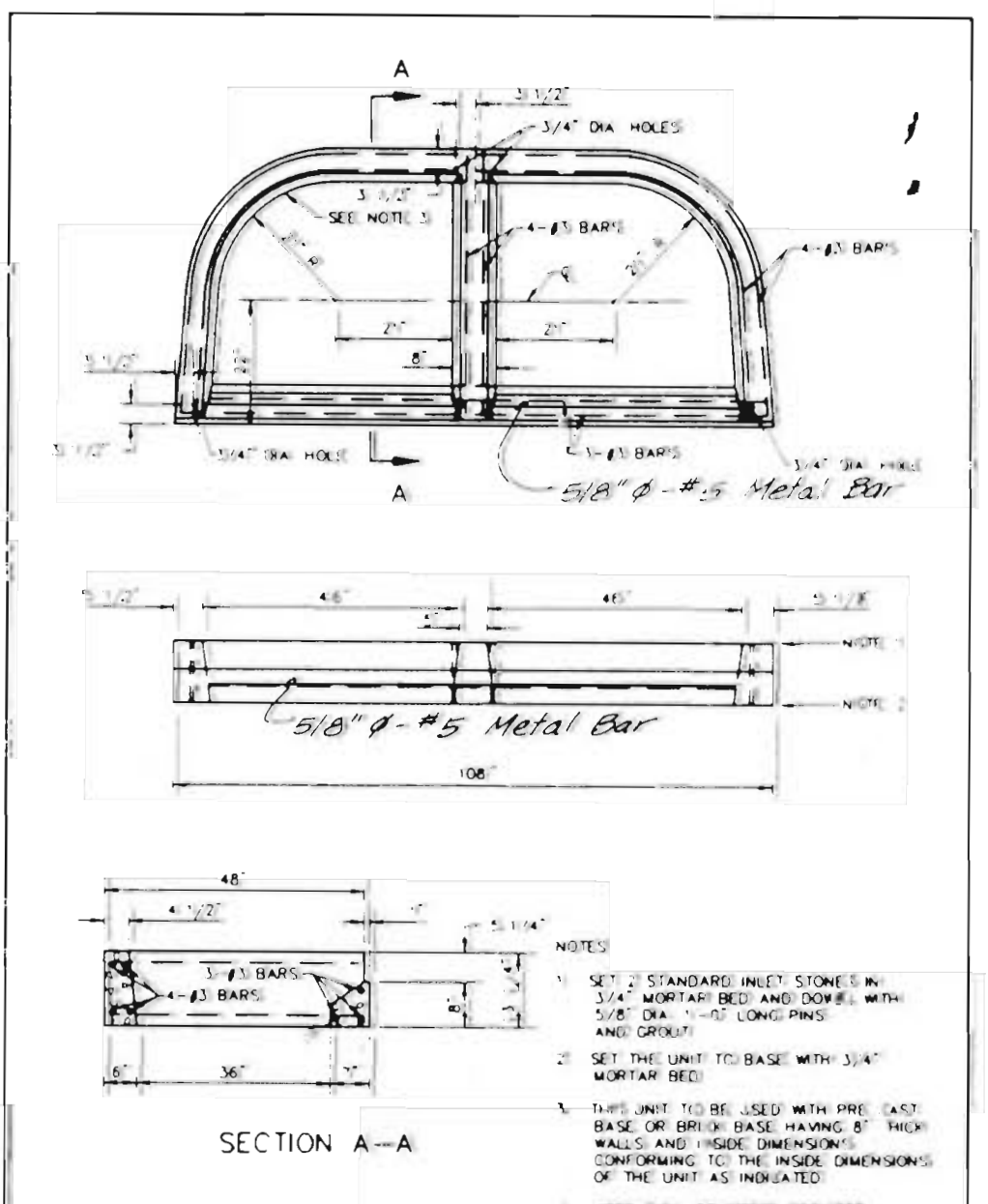
PRE-CAST CONCRETE UNIT FOR 4 WAY AREA INLET
METROPOLITAN ST. LOUIS SEWER DISTRICT
Standard Details of Sewer Construction
DR. D.A.R. OR. J.C.K. 1992 SHEET 38



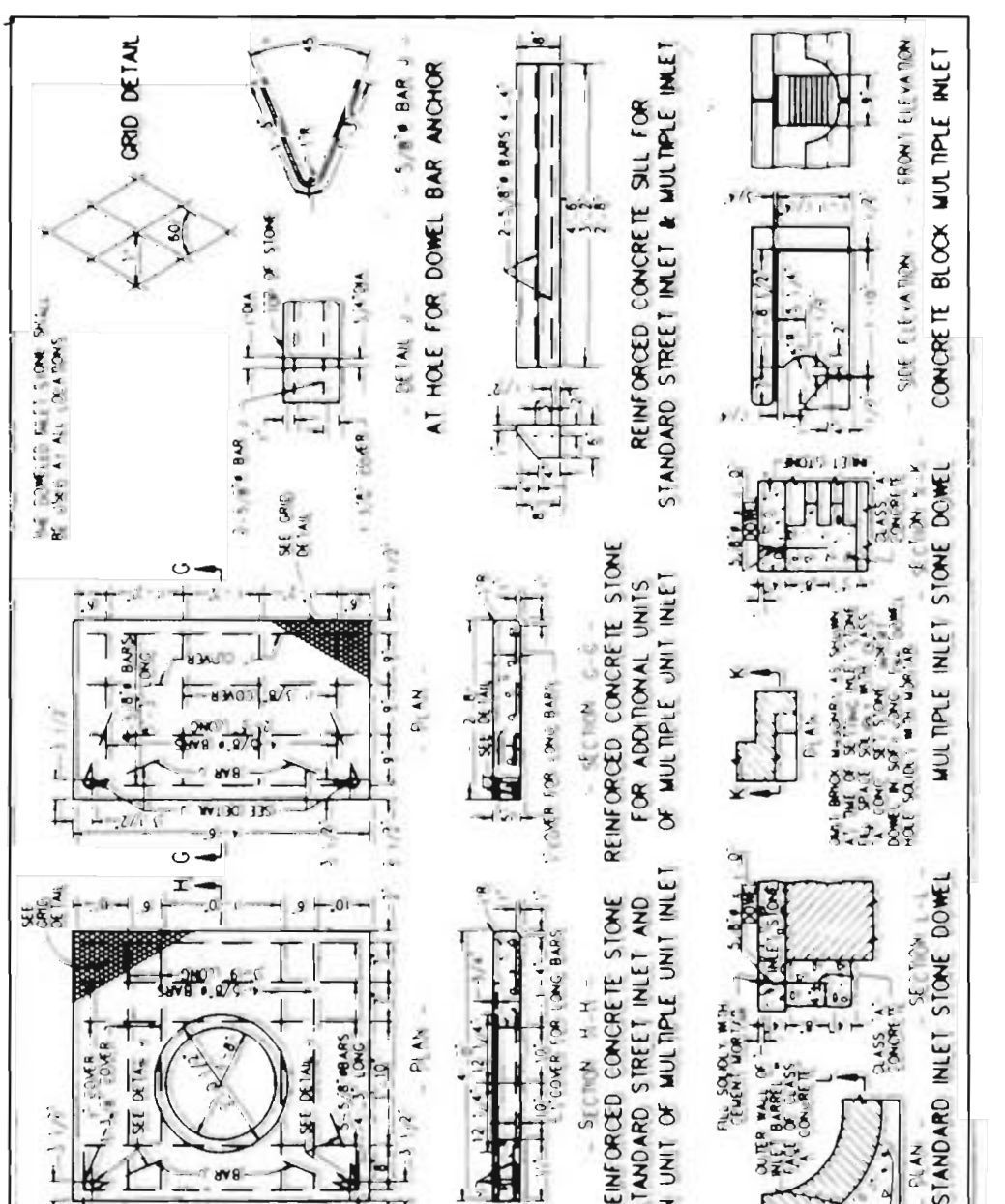
CONCRETE DOUBLE STREET INLET W/PRE CAST CONCRETE UNIT A
METROPOLITAN ST. LOUIS SEWER DISTRICT
Standard Details of Sewer Construction
DR. D.A.R. OR. J.C.K. 1992 SHEET 39



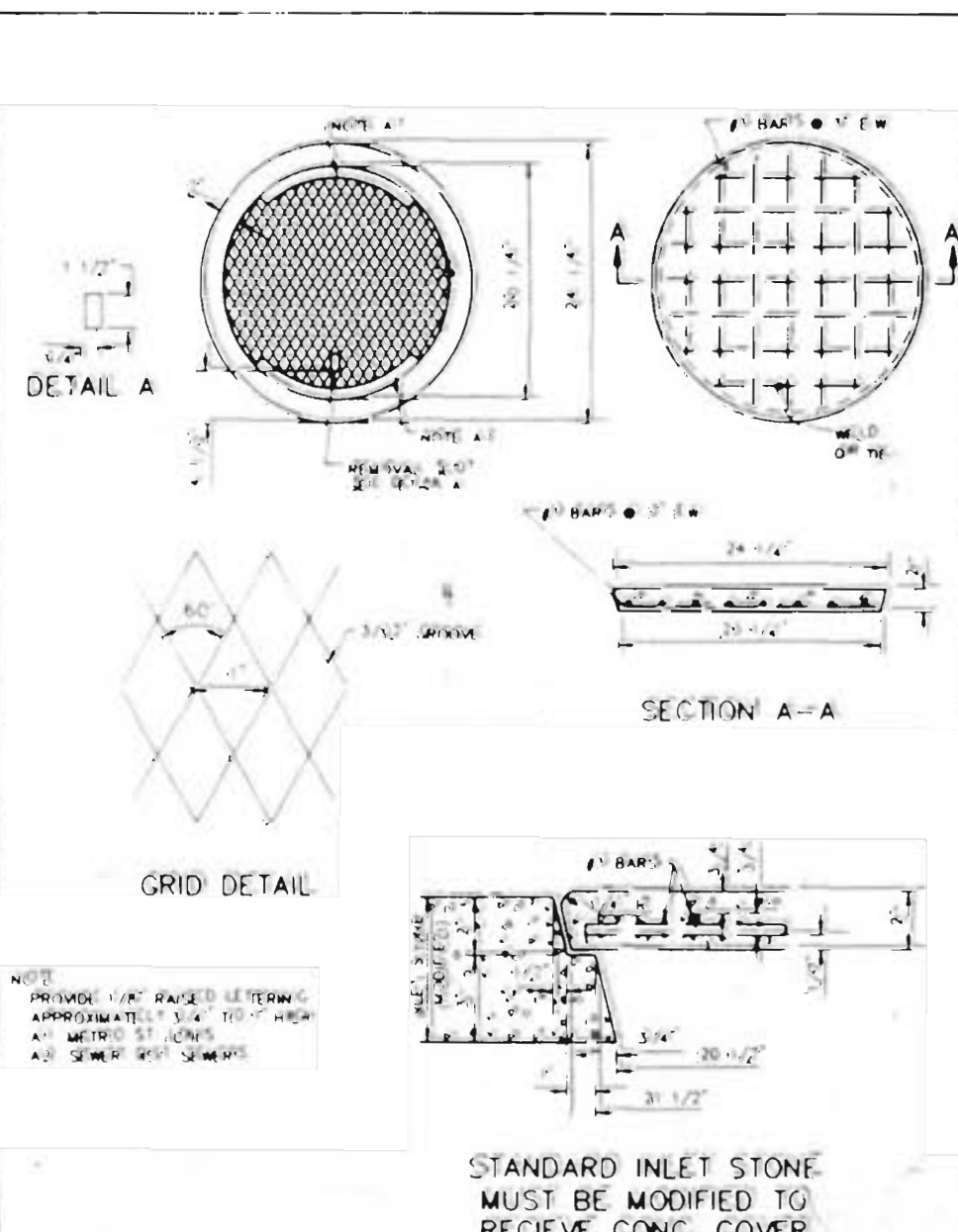
PRE-CAST CONCRETE UNIT A FOR STREET DOUBLE INLET
METROPOLITAN ST. LOUIS SEWER DISTRICT
Standard Details of Sewer Construction
DR. D.A.R. OR. J.C.K. 1992 SHEET 40



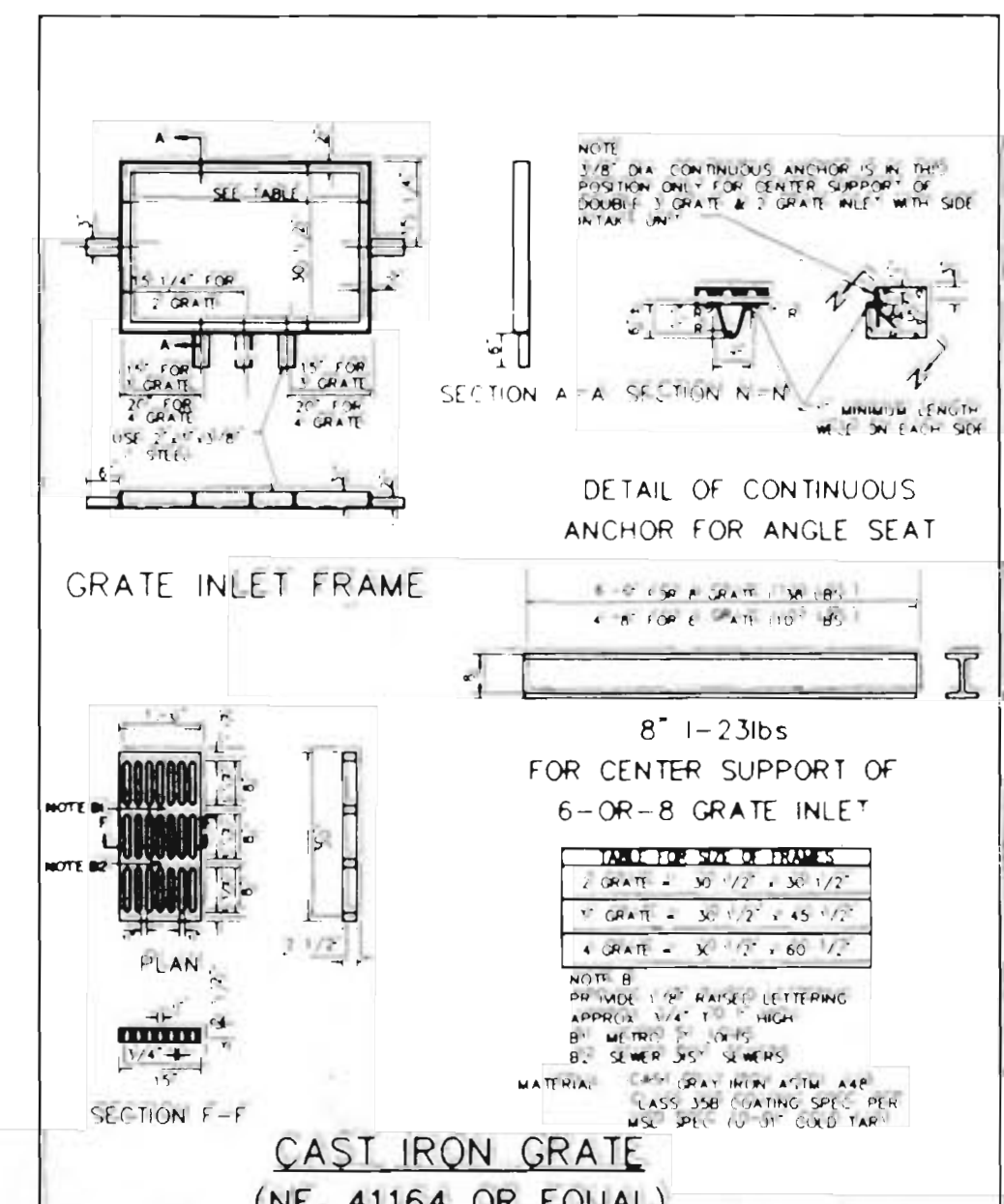
PRE-CAST CONCRETE UNIT B FOR STREET DOUBLE INLET
METROPOLITAN ST. LOUIS SEWER DISTRICT
Standard Details of Sewer Construction
DR. R.G.W. OR. J.C.K. 1992 SHEET 41



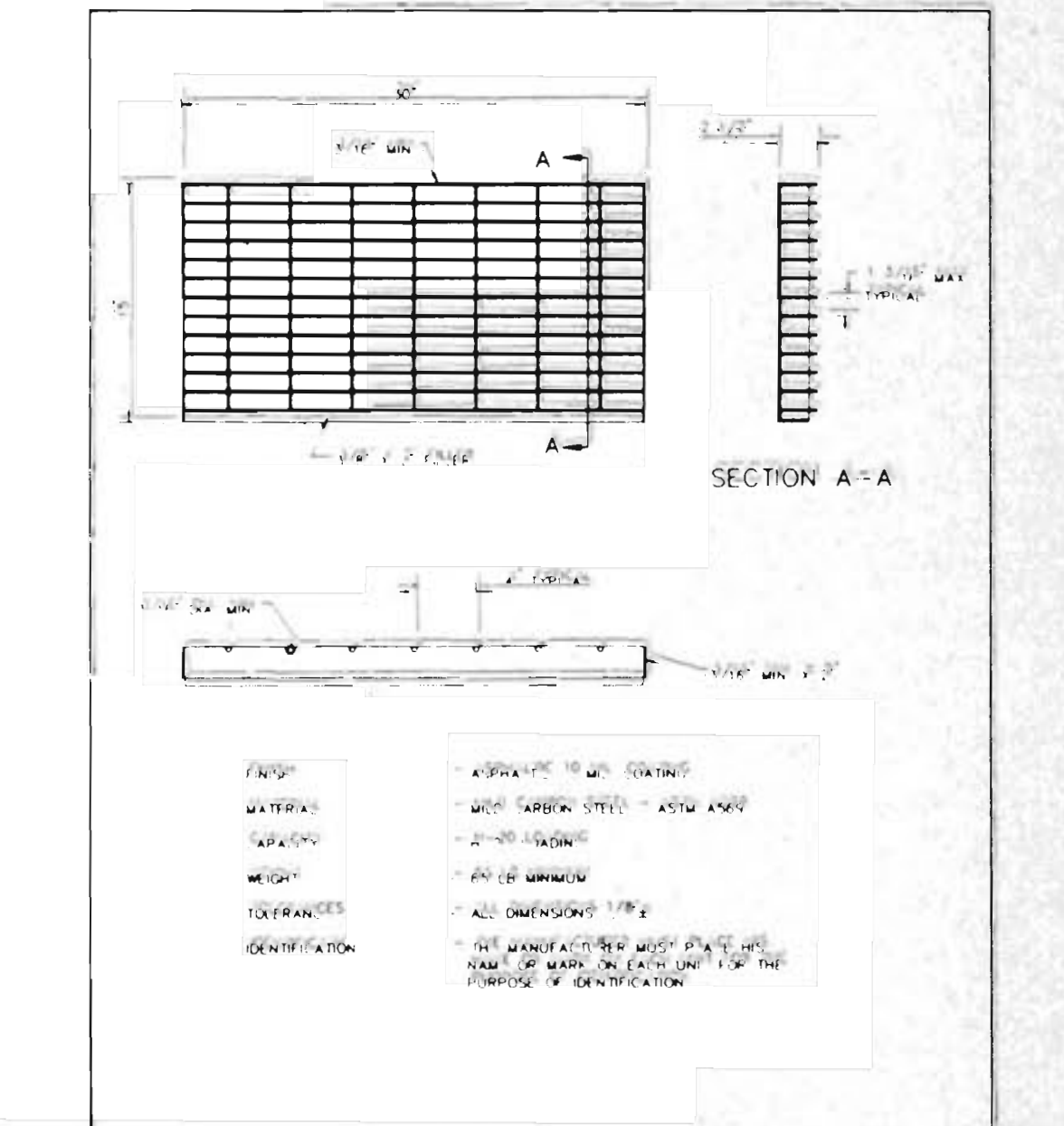
STANDARD - INLET STONES, BLOCKS & DESIGN DETAILS
METROPOLITAN ST. LOUIS SEWER DISTRICT
Standard Details of Sewer Construction
DR. W.S.H. OR. J.C.K. 1992 SHEET 42



PRE-CAST CONCRETE INLET COVER
METROPOLITAN ST. LOUIS SEWER DISTRICT
Standard Details of Sewer Construction
DR. R.G.W. OR. J.C.K. 1992 SHEET 43



DETAILS OF INLET FRAME AND GRATES
METROPOLITAN ST. LOUIS SEWER DISTRICT
Standard Details of Sewer Construction
DR. R.G.W. OR. J.C.K. 1992 SHEET 44



DETAIL OF STEEL GRATE
METROPOLITAN ST. LOUIS SEWER DISTRICT
Standard Details of Sewer Construction
DR. R.G.W. OR. J.C.K. 1992 SHEET 45