

NON-SEDIMENT POLLUTION CONTROL

PHYSICAL DESCRIPTION:

Control measures designed to prohibit chemicals, hazardous materials, solid waste and construction debris from polluting stormwater. Pollutants carried in solution or as surface films on runoff will be carried through most erosion control and sediment capture BMPs. Nonpoint pollutants like fuel, oil, grease, paint, solvents, fertilizers, soil additives, concrete wash water, solid waste and construction debris from polluting runoff can be accomplished to a large extent through good housekeeping on the site and following the manufacturer's recommendations for disposal.

WHERE BMP IS TO BE INSTALLED:

Collection, storage and fueling areas should be located onsite in an area that does not receive a substantial amount of runoff from upland areas and does not drain directly to lakes, creeks, streams, rivers, sewers, groundwater, wetlands or road ditches.

CONDITIONS FOR EFFECTIVE USE OF BMP:

- Reduction in pollutants depends heavily on how construction personnel perform their duties. An effective management system requires training and signage to promote proper storage, handling and disposal of materials. Follow up observations of actions and inspection of storage areas by management personnel is also required.
- Plans should contain notes clearly stating requirements for addressing potential pollutants.
- Fueling areas and storage areas for hazardous materials should be protected by berms or other means of catching leaks or spills.

WHEN BMP IS TO BE INSTALLED:

Immediately following installation of construction entrance and wash station.

INSTALLATION/CONSTRUCTION PROCEDURES:

- Place waste receptacles near areas of work.
- Construct protective berm or other devices around fueling and hazardous materials storage areas.
- Install appropriate signage.
- Post guidelines for proper handling, storage and disposal of materials, and emergency spill cleanup on site.

O&M PROCEDURES:

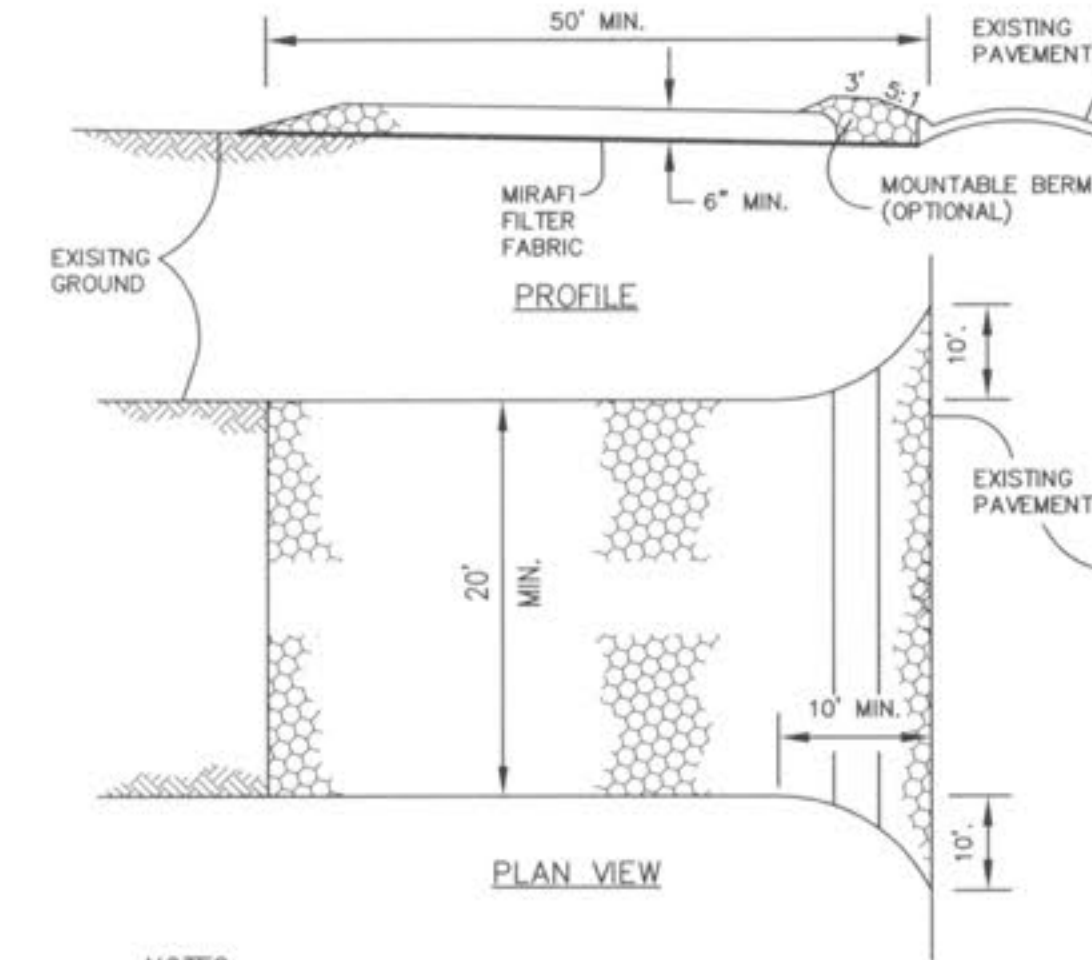
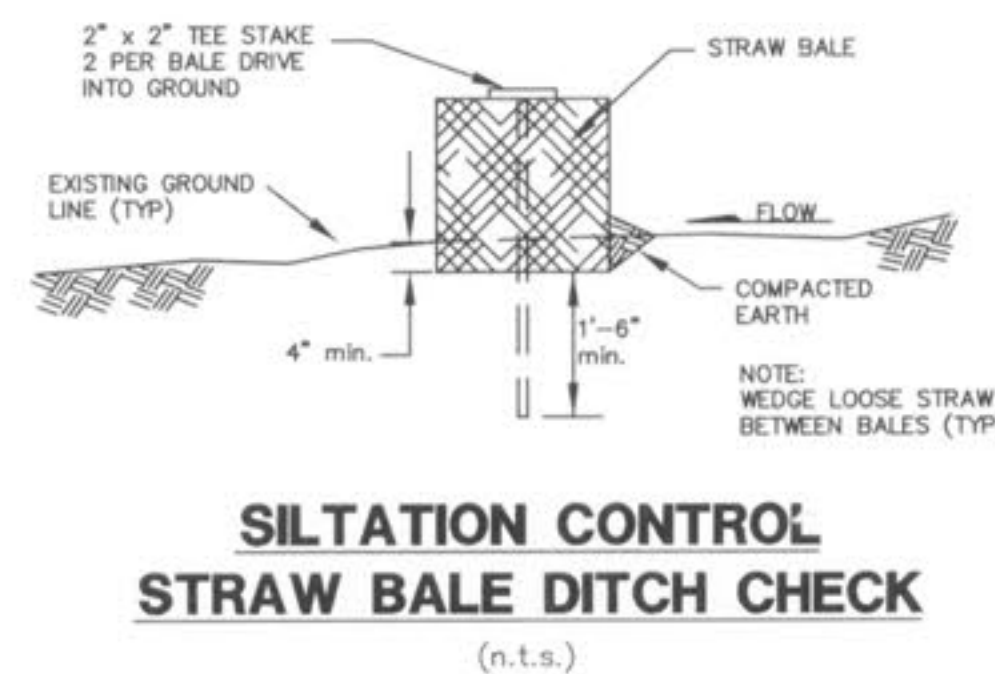
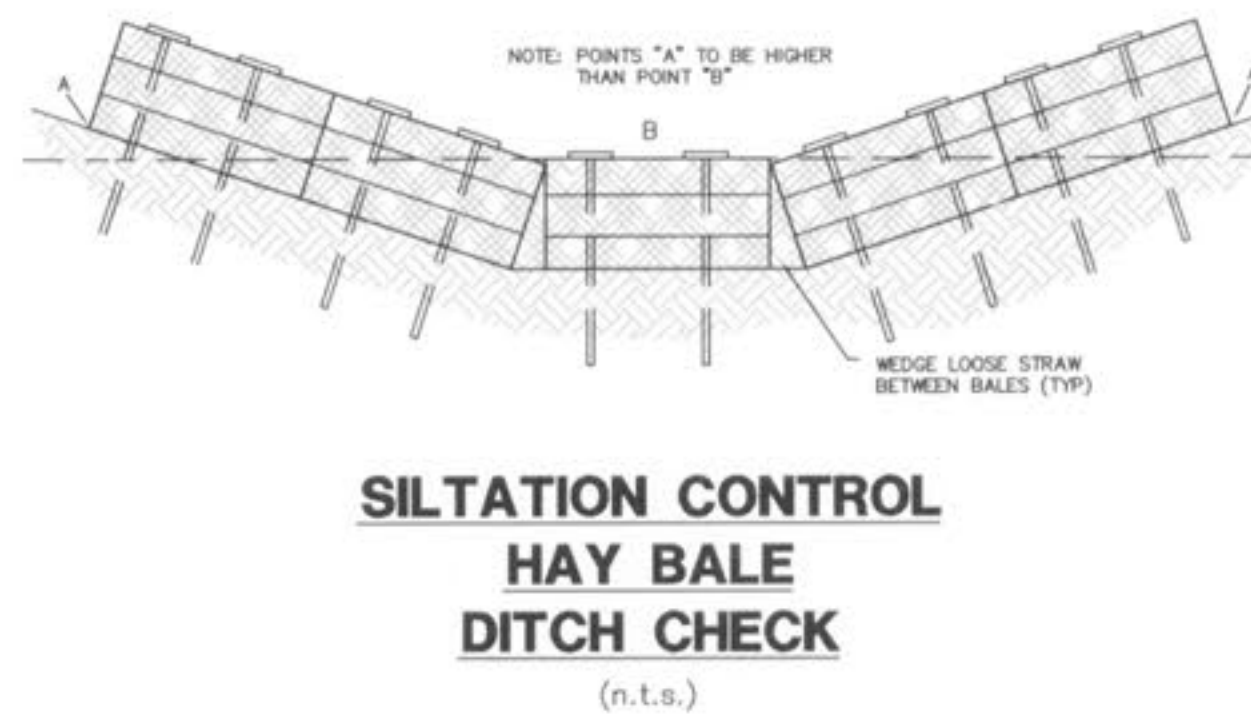
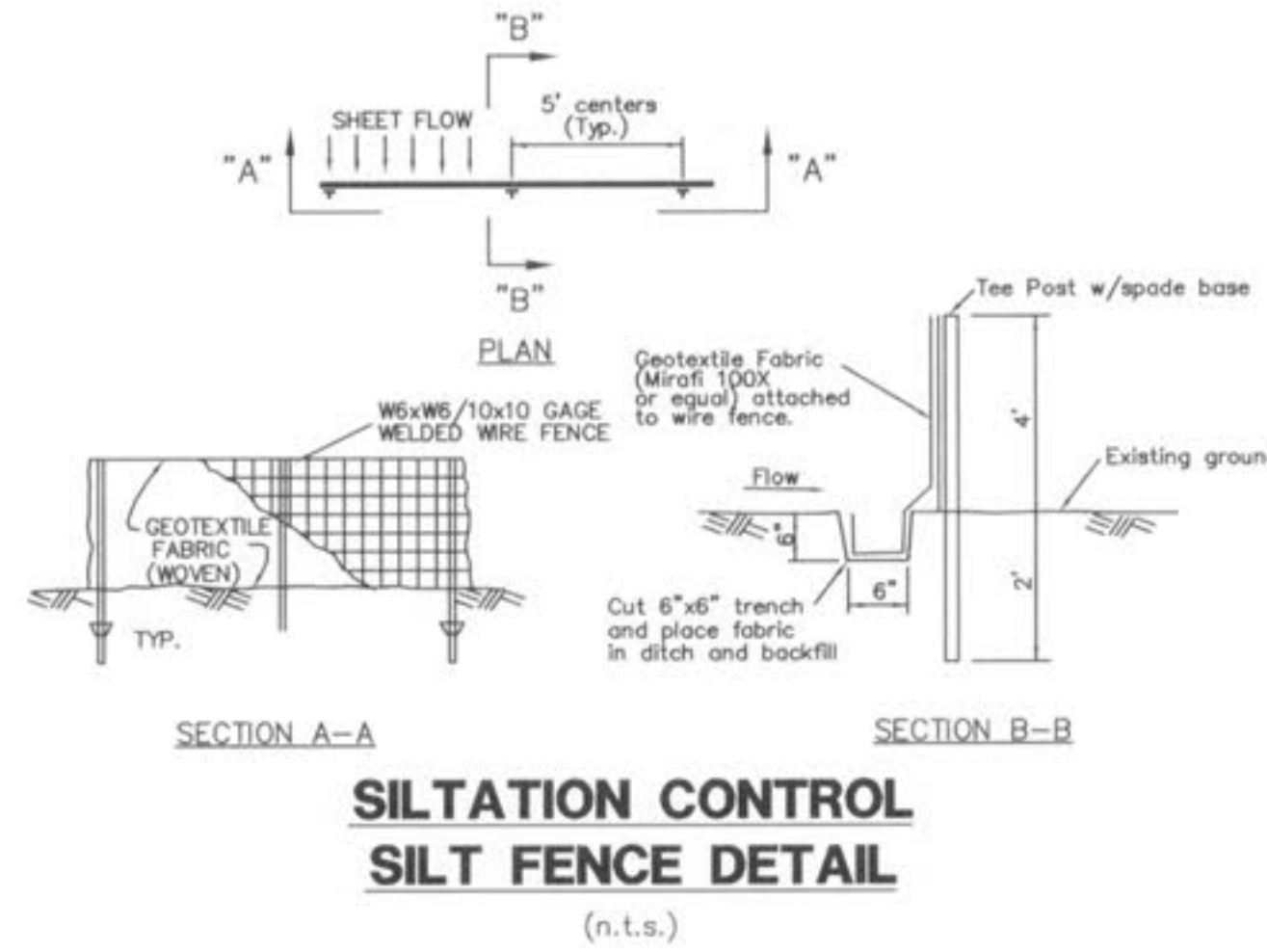
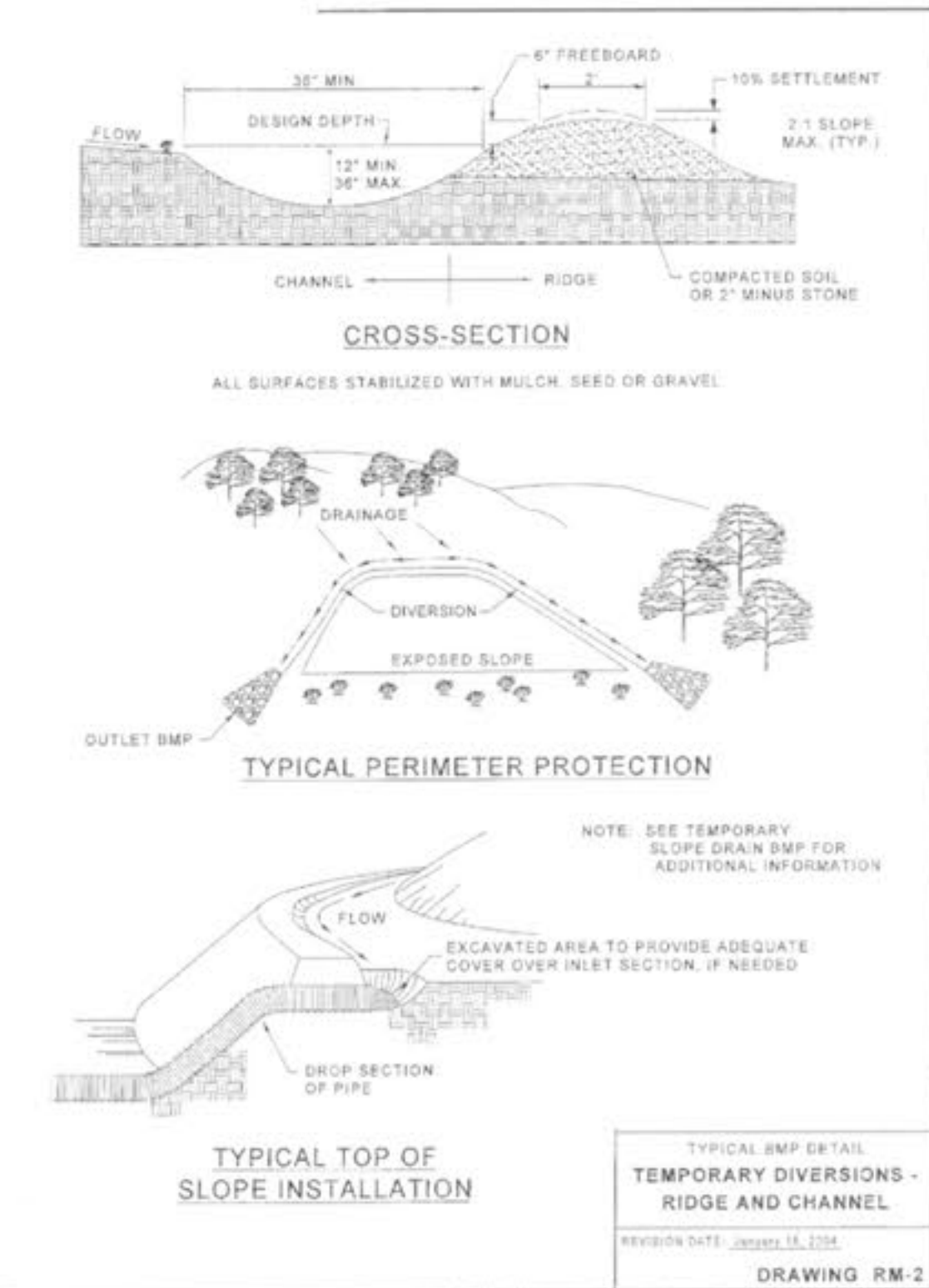
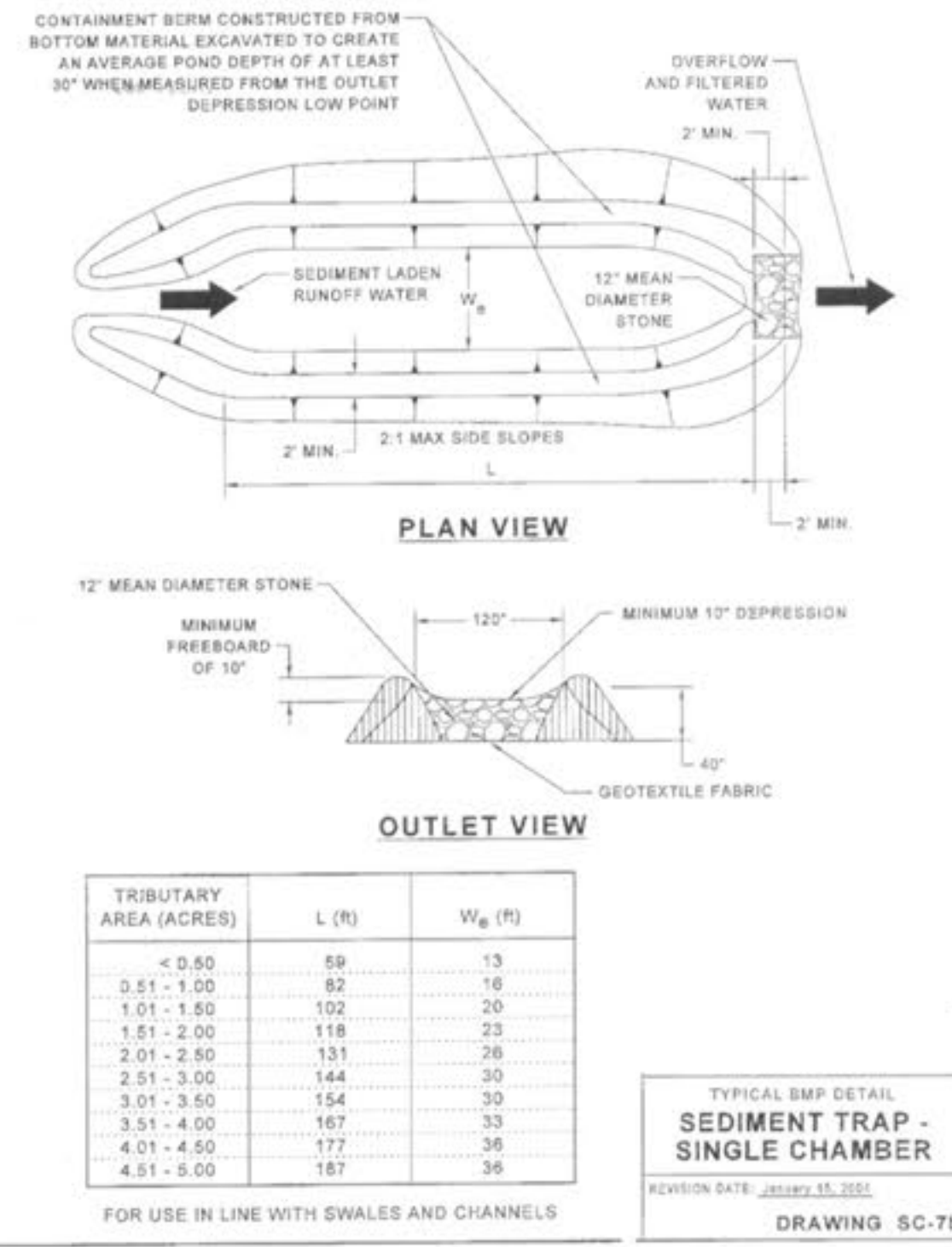
- Inspect activities on regular basis.
- Inspect storage areas and control devices at least every two weeks and after every storm.
- Make necessary corrections and repairs.

POLLUTION PREVENTION PROCEDURES

1) HANDLING AND DISPOSAL OF HAZARDOUS MATERIALS

- DO:**
- Prevent spills.
 - Use products up.
 - Follow label directions for disposal.
 - Remove lids from empty bottles and cans when disposing in trash.
 - Recycle wastes whenever possible.
- DONT:**
- Don't pour waste into sewers or waterways on the ground.
 - Don't pour waste down the sink, floor drain or septic tanks.
 - Don't bury chemicals or containers, or dispose of them with construction debris.
 - Don't burn chemicals or containers.
 - Don't mix chemicals together.

- 2) Containers shall be provided for collection of all waste material including construction debris, trash, petroleum products and any hazardous materials to be used onsite. All waste material shall be disposed of at facilities approved for that material.
- 3) No waste materials shall be burned on-site.
- 4) Mixing, pumping, transferring or otherwise handling construction chemicals such as fertilizer, lime, asphalt, concrete drying compounds, and all other potentially hazardous materials shall be performed in an area away from any watercourse, ditch or storm drain.
- 5) Equipment fueling and maintenance, oil changing, etc., shall be performed only in an area designated for that purpose. The designated area is equipped for recycling oil and catching spills.
- 6) Concrete wash water shall not be allowed to flow directly to storm sewers, streams, ditches, lakes, etc without being treated. A sump or pit shall be constructed to contain concrete wash water.
- 7) If substances such as oil, diesel fuel, hydraulic fluid, antifreeze, etc. are spilled, leaked, or released into soil, the soil shall be dug up and disposed of at a licensed sanitary landfill (not a construction/debris landfill). Spills on pavement shall be absorbed with sawdust, kitty litter or product designed for that purpose and disposed of at a licensed sanitary landfill. Hazardous or industrial wastes such as motor oils, gasoline, oil-based paints, and cement curing compounds require special handling. These materials will be removed from the site and recycled or disposed of in accordance with MUDNR requirements.
- 8) State law requires the party responsible for a petroleum product spill in excess of 50 gallons to report the spill to Missouri Department of Natural Resources (MDNR) at (337) 634-2436, as soon as practical after discovery. Federal law requires the responsible party to report any release of oil if it reaches or threatens a sewer, lake, creek, stream, river, groundwater, wetland, or area, like a road ditch, that drains into one of the above.



- NOTES:**
- STONE SIZE - USE 2" STONE, OR RECLAIMED OR RECYCLED CONCRETE EQUIVALENT.
 - MAINTENANCE - THE ENTRANCE SHALL BE MAINTAINED IN A CONDITION WHICH WILL PREVENT PERIODIC TOP DRESSING WITH ADDITIONAL STONE AS CONDITIONS DEMAND AND REPAIR TRACKING OR FLOWING OF SEDIMENT INTO PUBLIC RIGHT-OF-WAY. THIS MAY AND/OR CLEANOUT OF ANY MEASURES USED TO TRAP SEDIMENT, PUBLIC RIGHT-OF-WAY, WHEN WASHING IS REQUIRED, IT SHALL BE DONE ON AN AREA STABILIZED.
 - WASHING - WHEELS SHALL BE CLEANED TO REMOVE SEDIMENT PRIOR TO ENTRANCE INTO WITH STONE.
 - PERIODIC INSPECTION AND NEEDED MAINTENANCE SHALL BE PROVIDED AFTER EACH RAIN.
 - IF WATER IS NOT AVAILABLE, A WATER TRUCK SHALL BE PROVIDED.

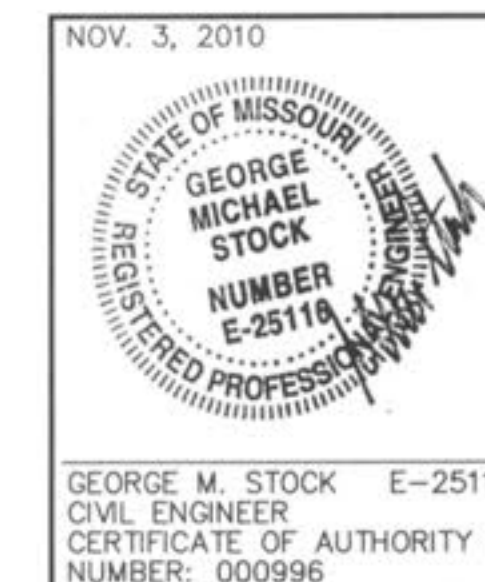
TRUCK WASH OFF AREA
(n.t.s.)

BMP QUANTITIES			
TYPE	BMP	QUANTITY	UNIT
SILT FENCE	-	2,120	LF
CONSTRUCTION ENTRANCE	-	1	EACH
WASHDOWN STATION	TC-4	1	EACH
DIVERSION SWALE	RM-2	650	LF
TEMP. SEDIMENT CHAMBER	SC-7B	2	EACH
INLET PROTECTION	-	3	EACH
DITCH CHECK	-	5	EACH

SITE INFORMATION:

AREA DISTURBED BY GRADING = 5.00± Acres
ESTIMATED COEFFICIENT RUNOFF BEFORE/AFTER CONSTRUCTION = 0.1 / 0.15
SOIL TYPE = Lean Clay/Fat Clay/Silt/Sand

- 5 2010-11-03 FOR PERMIT
- 4 2010-07-21 REVISED PER CITY & PWS COMMENTS
- 3 2010-06-30 REVISED PER CITY COMMENTS
- 2 2010-16-09 PROGRESS PRINTING #2
- 1 2010-05-24 REVISED PER SEWER DISTRICT COMMENTS



S.W.P.P.P. DETAILS
CENTENE DATA CENTER

Stock & Associates
Consulting Engineers, Inc.

257 Chesterfield Business Parkway
St. Louis, MO 63005
PH. (636) 530-9100
FAX (636) 530-9130
e-mail: general@stockassoc.com
Web: www.stockassoc.com

NOV. 3, 2010

GEORGE M. STOCK
CIVIL ENGINEER
E-25118
NUMBER: 000996

DRAWN BY: J.M.B. DATE: 05/07/10
CHECKED BY: G.M.S. DATE: 05/07/10
JOB NUMBER: 209-4511
SHEET: C5 of 21