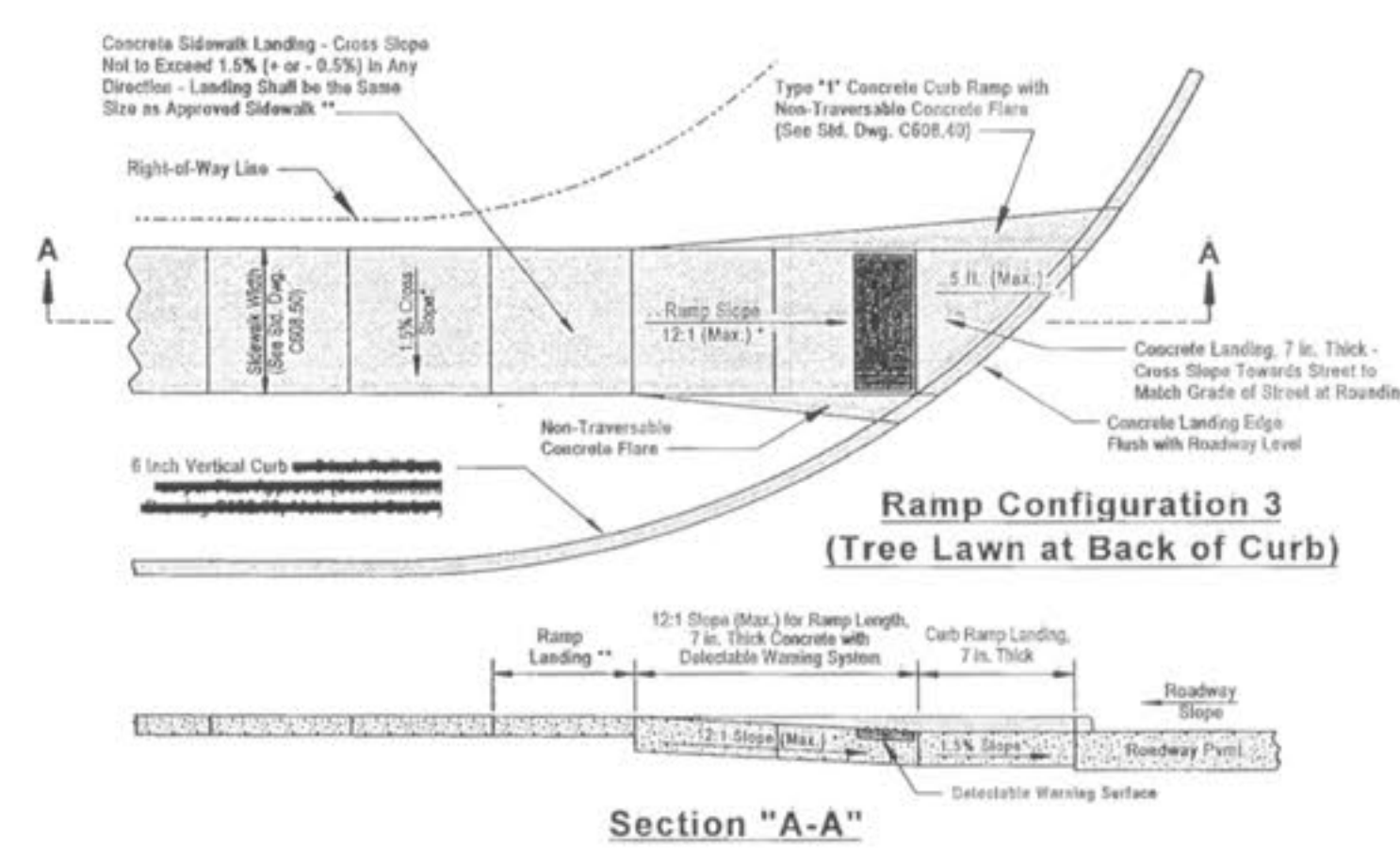
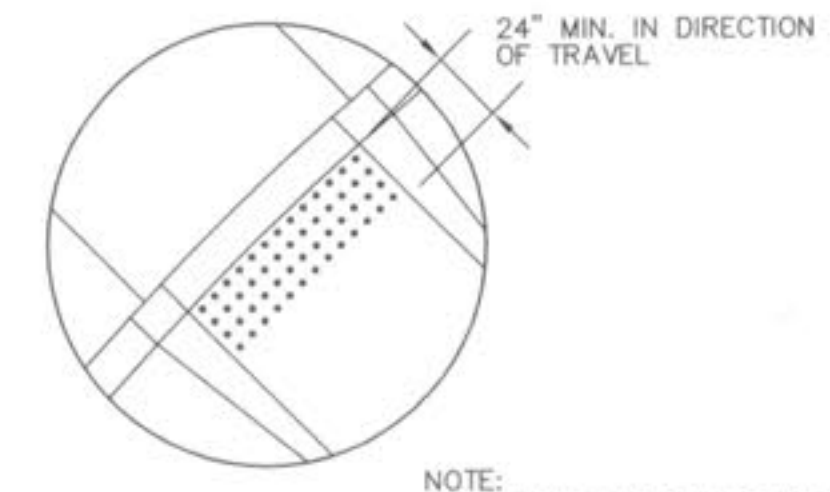


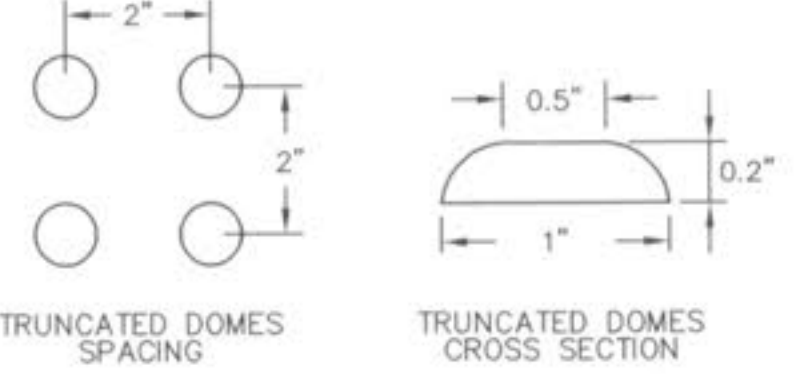
TYPICAL PARKING STALLS
(n.t.s.)



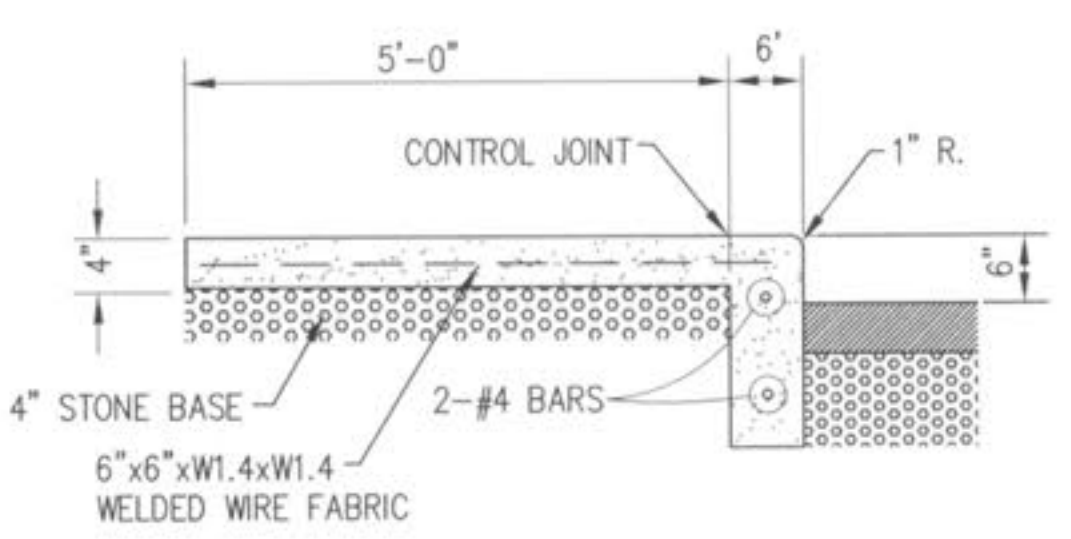
Ramp Configuration 3 (Tree Lawn at Back of Curb)
Section "A-A"



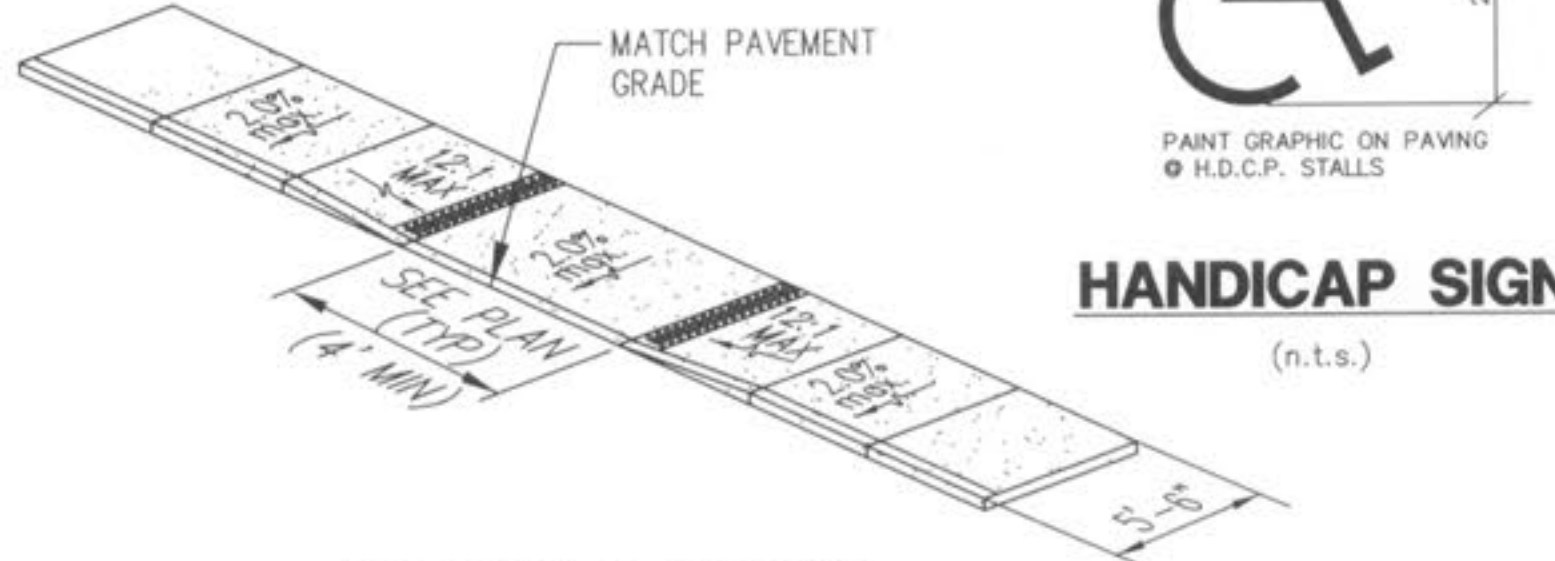
DETECTABLE WARNING AT SIDEWALK RAMPS
(n.t.s.)



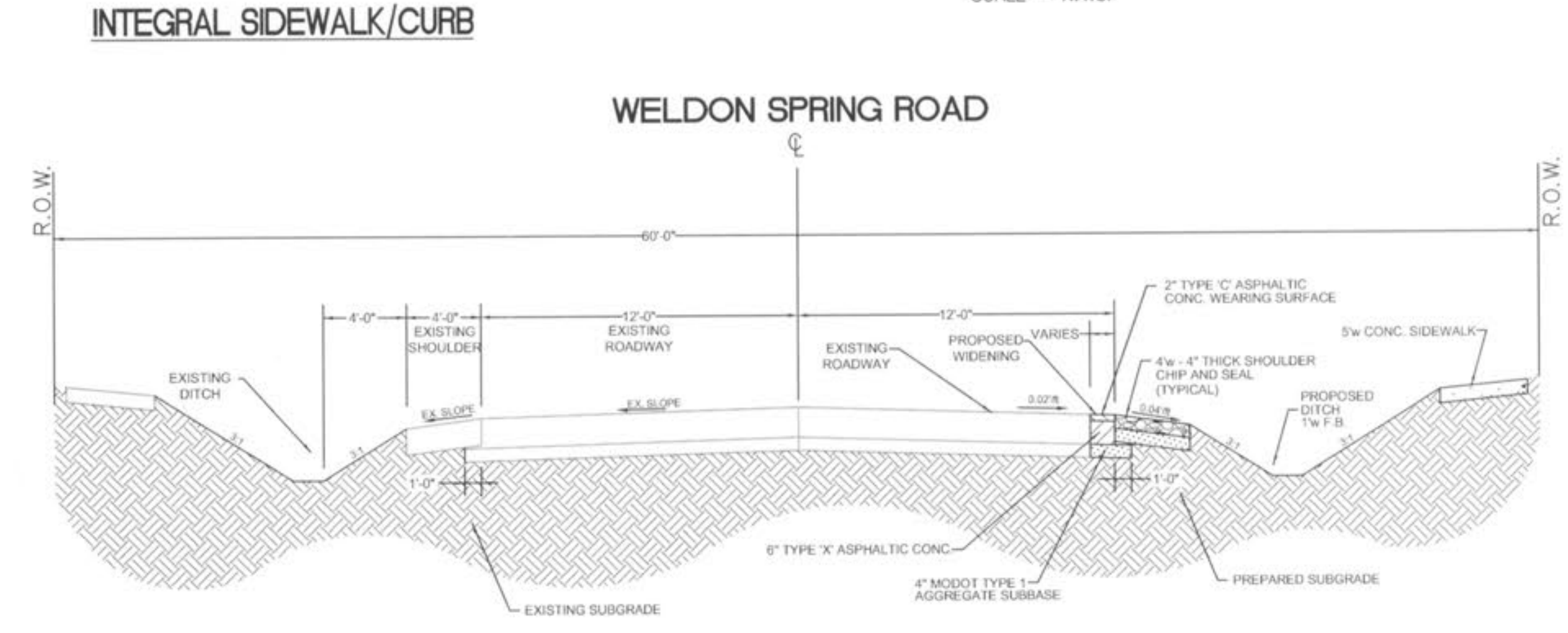
DETECTABLE WARNING AT SIDEWALK RAMPS
(n.t.s.)



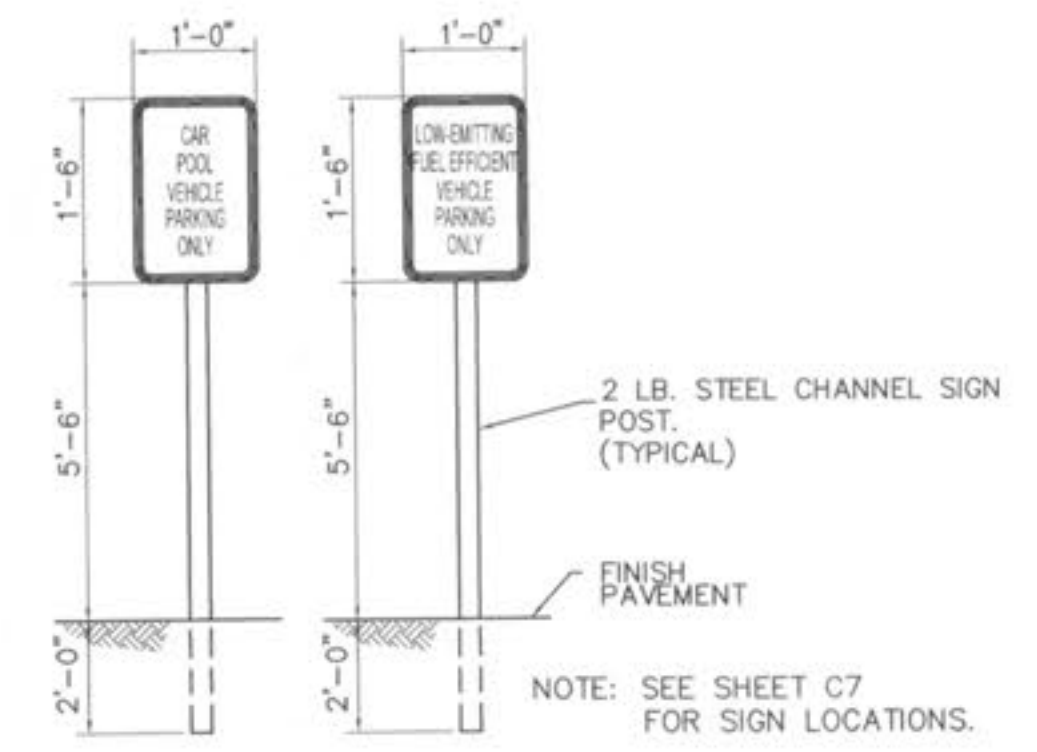
INTEGRAL SIDEWALK/CURB
NOTE: EXPANSION JOINT MATERIAL SHALL BE INSTALLED IN THE WALK FOR ITS FULL WIDTH AND DEPTH AT INTERVALS OF APPROX. 20'. CONTROL JOINTS AT INTERVALS OF 1.0' TIMES ITS WIDTH.



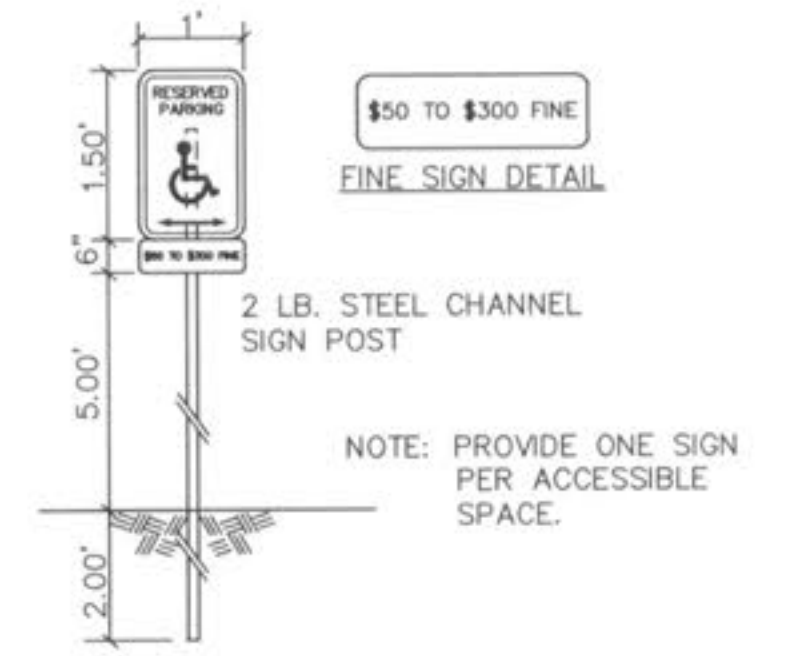
PARALLEL CURB RAMP AT ACCESSIBLE PARKING
SCALE = N.T.S.



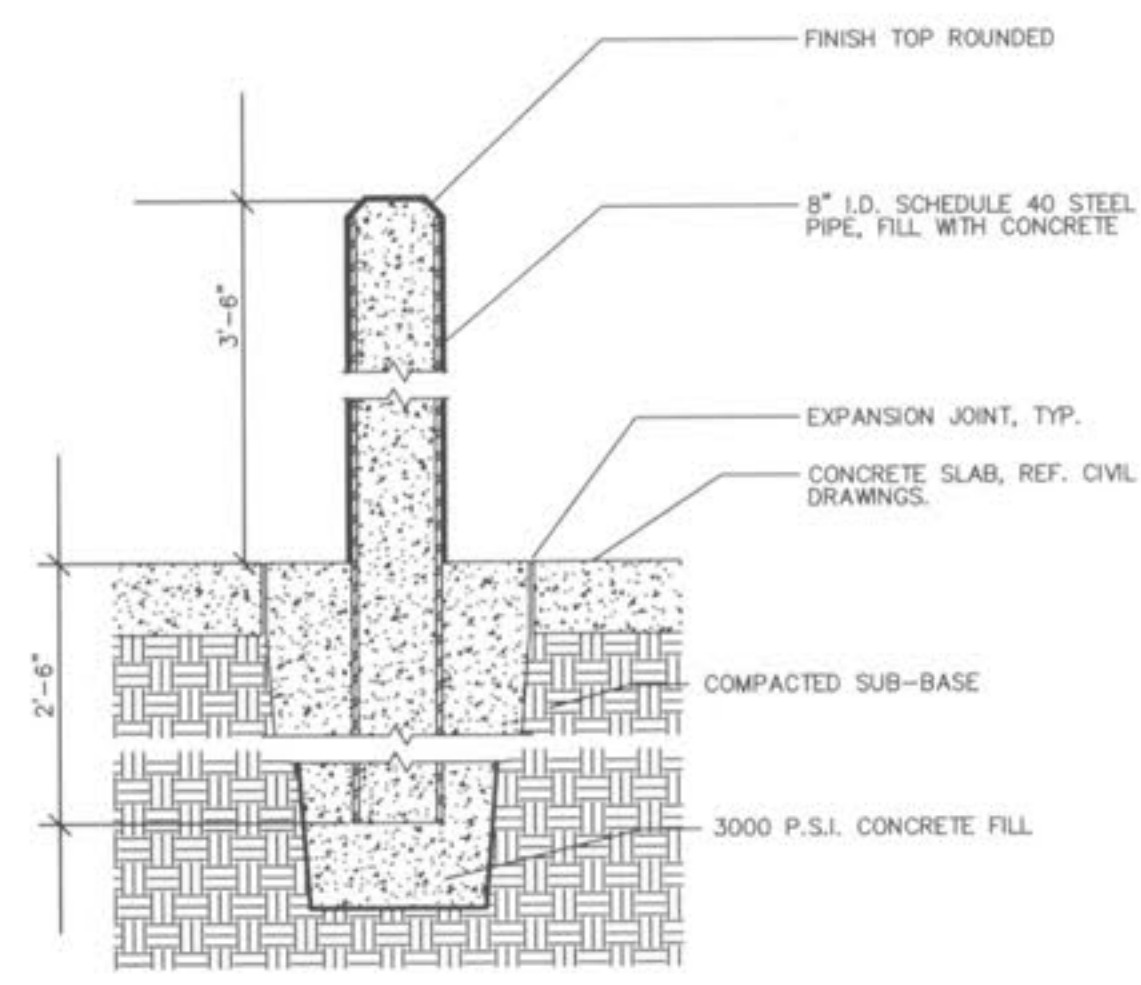
RESIDENTIAL (MINOR) / LOCAL ACCESS LARGE LOT SUBDIVISION Typical Section
(NOT TO SCALE; FOLLOW DIMENSIONS)



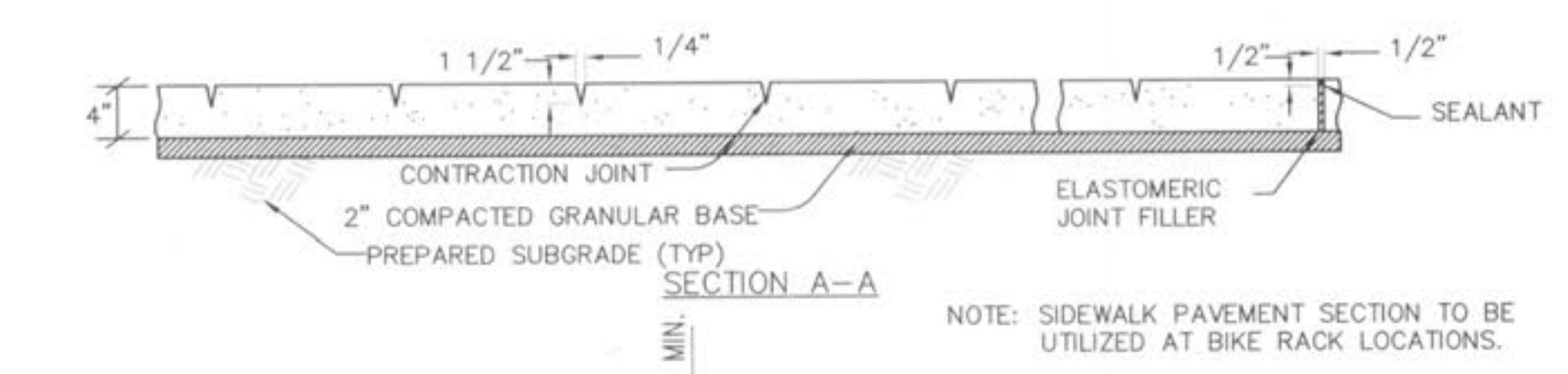
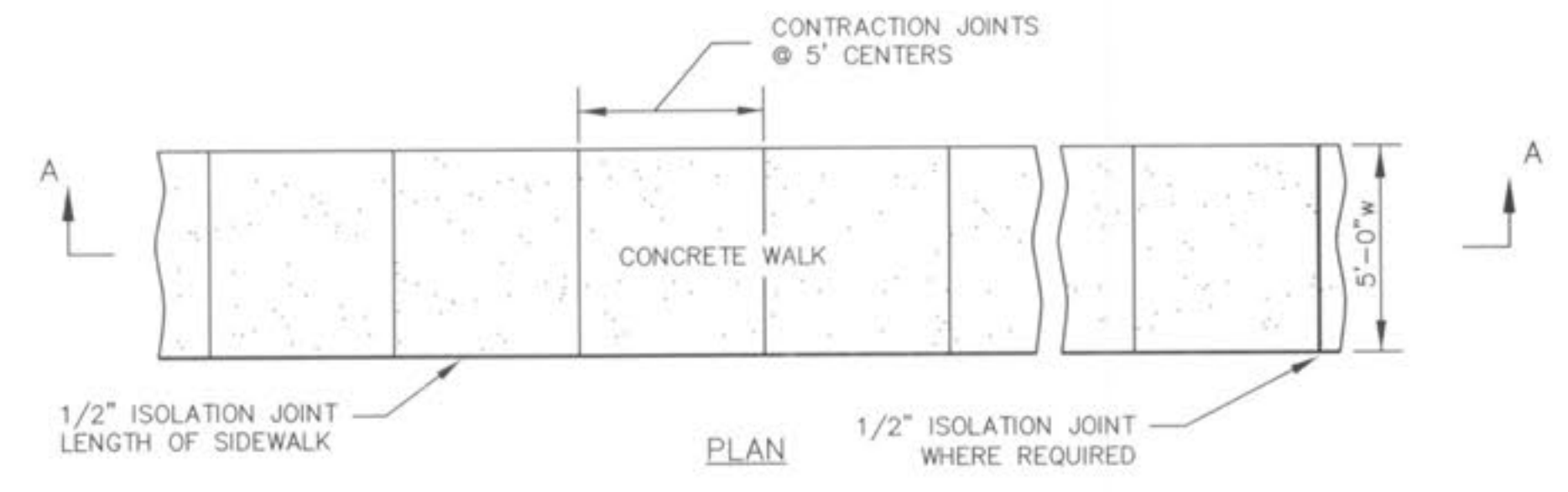
FUEL EFFICIENT VEHICLE AND CAR POOL PARKING SIGN DETAILS
(n.t.s.)



ACCESSIBLE PARKING SIGN
(n.t.s.)



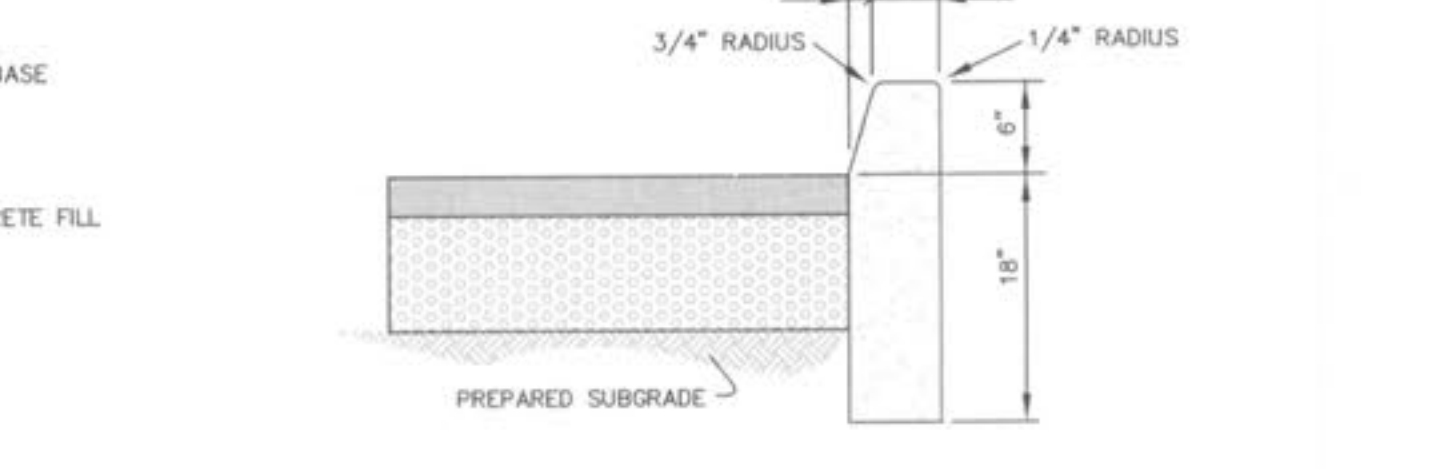
PIPE BOLLARD DETAIL
(n.t.s.)
(Location: Along building sidewalk and fire hydrant, see sheet C7)



CONCRETE WALK
(n.t.s.)
NOTE: SIDEWALK PAVEMENT SECTION TO BE UTILIZED AT BIKE RACK LOCATIONS.



CONCRETE PAVEMENT DETAIL
(AT ENTRANCE FROM WELDON SPRING ROAD, PER CITY REQ.)
(LOCATION: TRUCK DOCK, TRASH ENCLOSURE)



TYPE "S" CURB & PAVEMENT DETAIL
(n.t.s.)

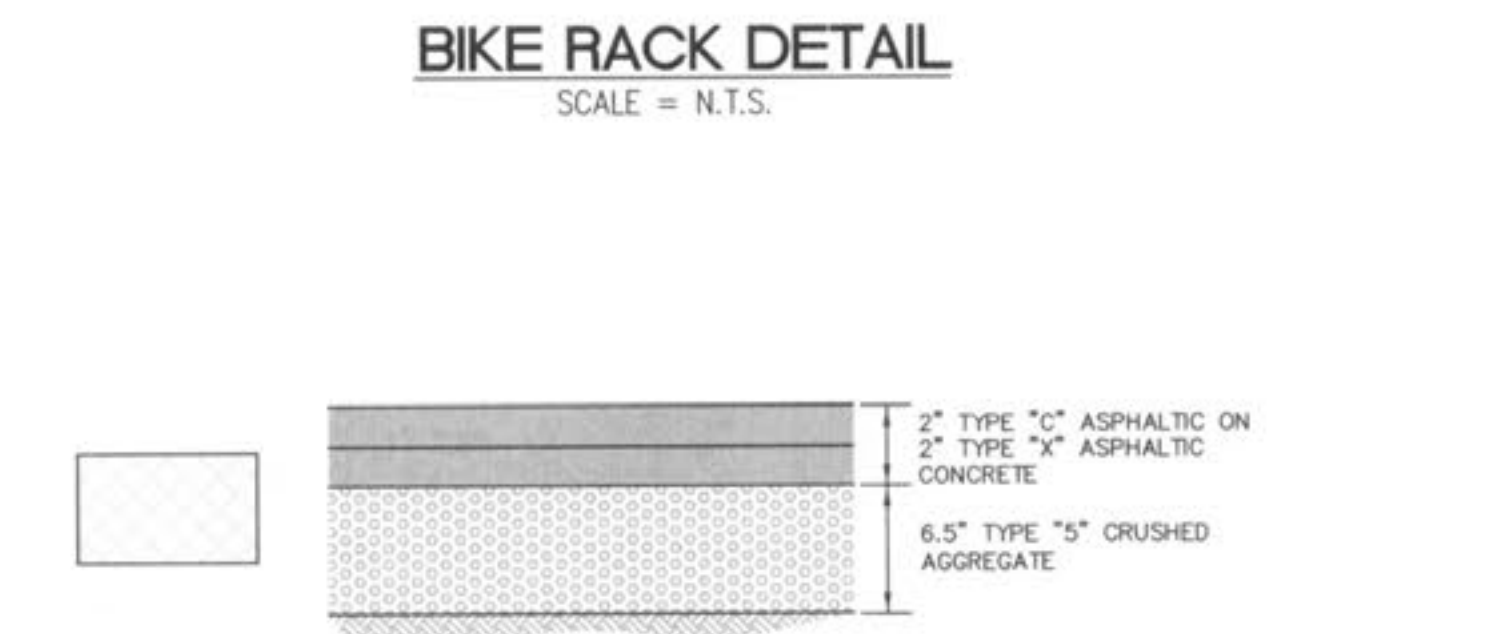
DERO
SELECT DESIRED MOUNT
FOOT MOUNT
IN GROUND MOUNT
SELECT DESIRED UNIT
GALVANIZED

DERO BIKE RACKS, INC.
221 ARTHUR AVE. SE
MINNEAPOLIS, MN 55414
1-888-337-6729
PHONE: (612) 359-0689
FAX: (612) 331-2731
www.dero.com

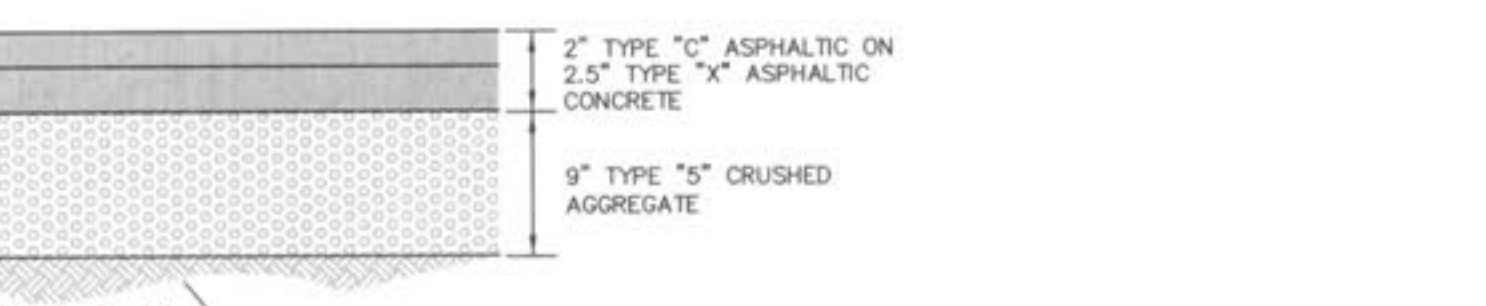
NOTE:
2,500 PSI, PRE-CAST, AIR ENTRAINED CONCRETE.
6" H x 9" W x 7" L, CENTERED ON PARKING STALL.
PROVIDE CHAMFERED CORNERS AND DRAINAGE SLOTS ON THE UNDERSIDE. PROVIDE MFG. STANDARD CONCRETE ANCHORS, OR #4 STEEL REINFORCING ROD STAKES OF SUFFICIENT LENGTH TO PENETRATE THE ROCK BASE PLUS 4", TWO PER WHEEL STOP.

PRECAST WHEEL STOP
(n.t.s.)

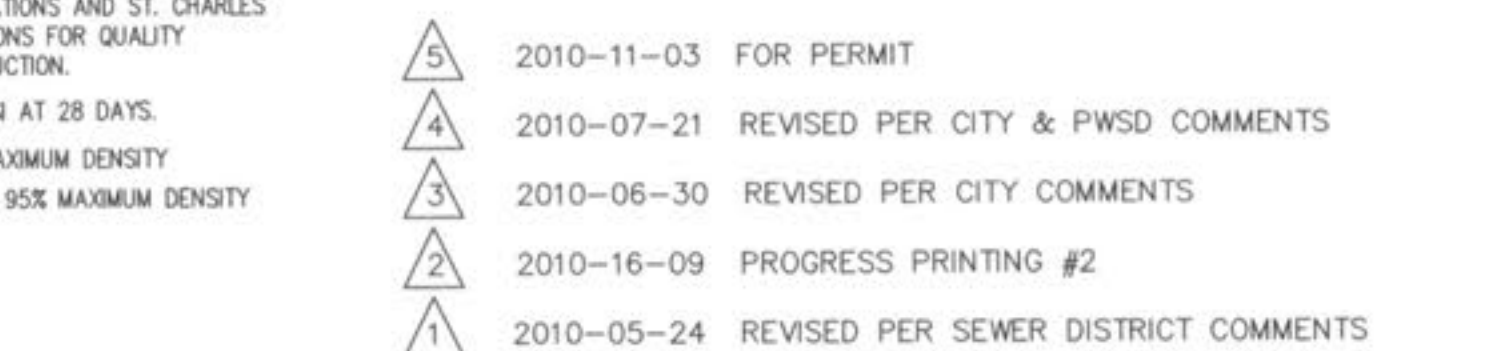
PROTECTED BY COPYRIGHT - 118-003 03/18/03



BIKE RACK DETAIL
SCALE = N.T.S.



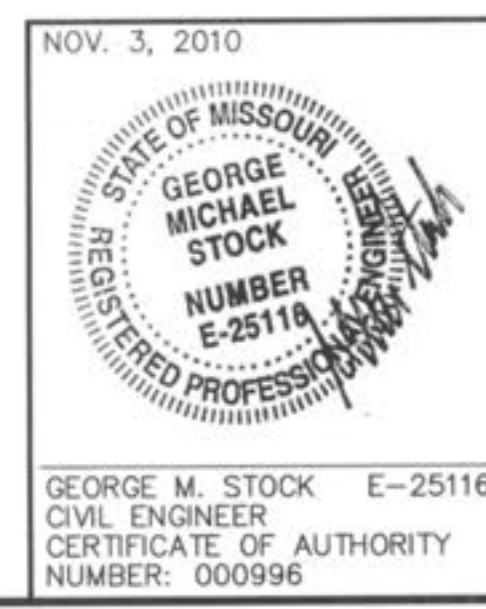
LIGHT DUTY - ASPHALT PAVEMENT DETAIL
ON-SITE
(n.t.s.)



HEAVY DUTY - ASPHALT PAVEMENT DETAIL
ON-SITE
(n.t.s.)

- PAVEMENT NOTES:**
- CONTRACTOR TO FOLLOW GEOTECHNICAL RECOMMENDATIONS AND ST. CHARLES COUNTY HIGHWAY DEPARTMENT CURRENT SPECIFICATIONS FOR QUALITY ASSURANCE AND MATERIALS FOR PAVEMENT CONSTRUCTION.
 - ALL NON-REINFORCED CONCRETE SHALL BE 4,000 PSI AT 28 DAYS.
 - ASPHALT SURFACE SHALL BE COMPACTED TO 98% MAXIMUM DENSITY
 - AGGREGATE BASE COURSE SHALL BE COMPACTED TO 95% MAXIMUM DENSITY

- 5 2010-11-03 FOR PERMIT
- 4 2010-07-21 REVISED PER CITY & PWS COMMENTS
- 3 2010-06-30 REVISED PER CITY COMMENTS
- 2 2010-16-09 PROGRESS PRINTING #2
- 1 2010-05-24 REVISED PER SEWER DISTRICT COMMENTS



CONSTRUCTION DETAILS
CENTENE DATA CENTER

STOCK & ASSOCIATES
Consulting Engineers, Inc.

257 Chesterfield Business Parkway
St. Louis, MO 63005
PH. (636) 530-9100
FAX (636) 530-9130
e-mail: general@stockassoc.com
Web: www.stockassoc.com

NOV. 3, 2010
DRAWN BY: J.M.B. DATE: 05/07/10
CHECKED BY: G.M.S. DATE: 05/07/10
JOB NUMBER: 209-4511
SHEET: C10 of 21

C:\DWG\4501\3094511\CH\1-Plans\4511-Base.dwg Nov 03, 2010 - 5:28pm