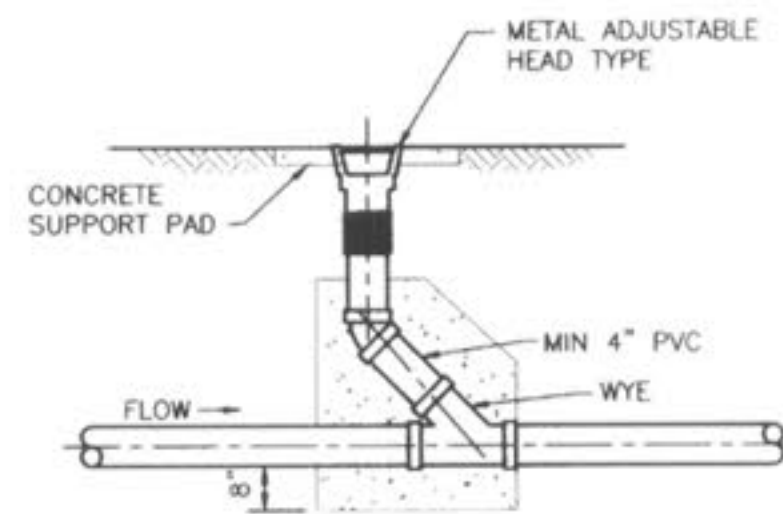


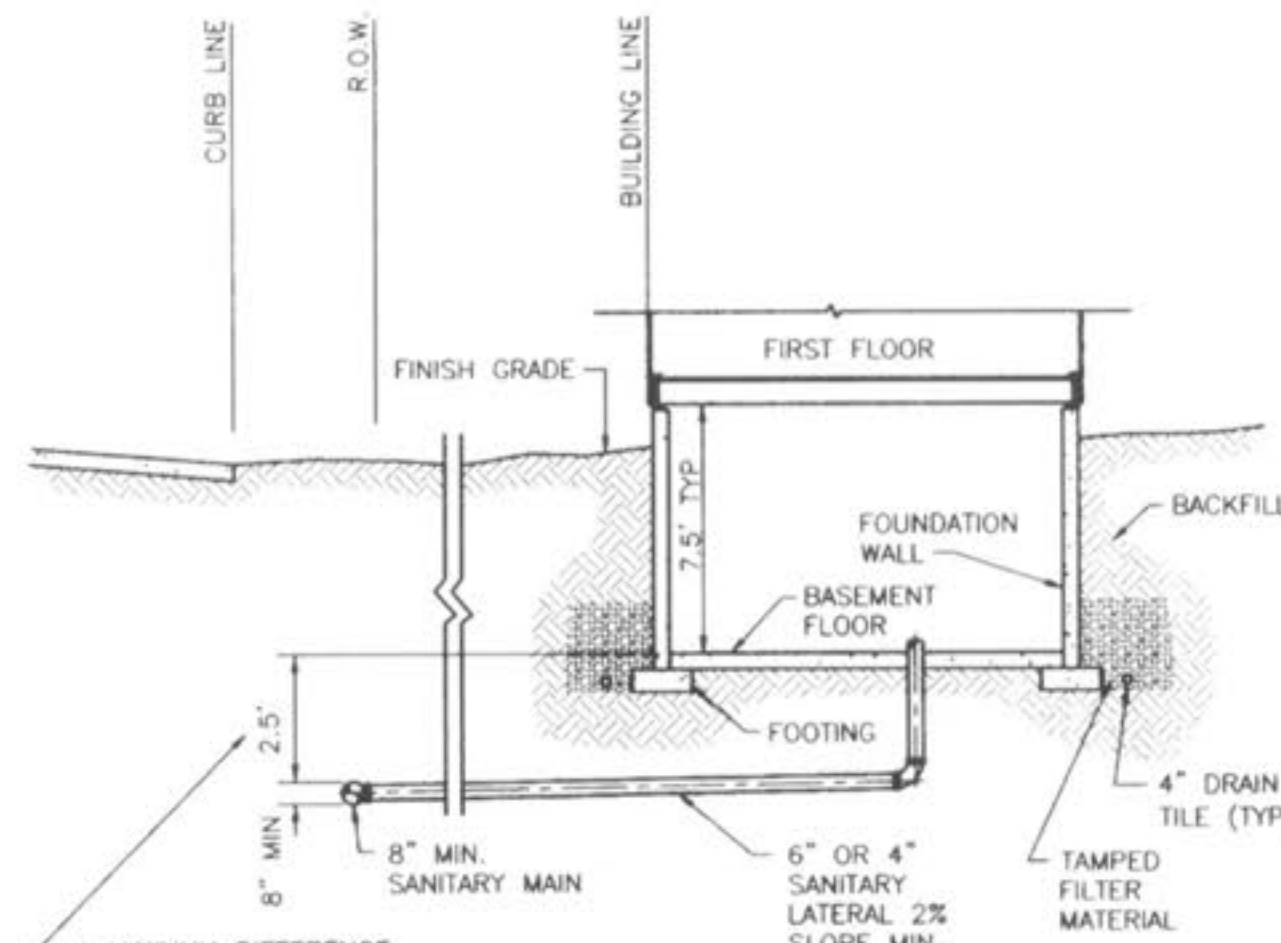
METAL FRAME AND COVER TYPE CLEANOUT



ADJUSTABLE HEAD TYPE CLEANOUT

DUCKETT CREEK SANITARY DISTRICT

TYPICAL SEWER LATERAL CLEANOUT DETAILS	Drawn By: BSM	App By: KLA	Detail No. 25
	Chk By: MDOB	Date: 1-8-01	

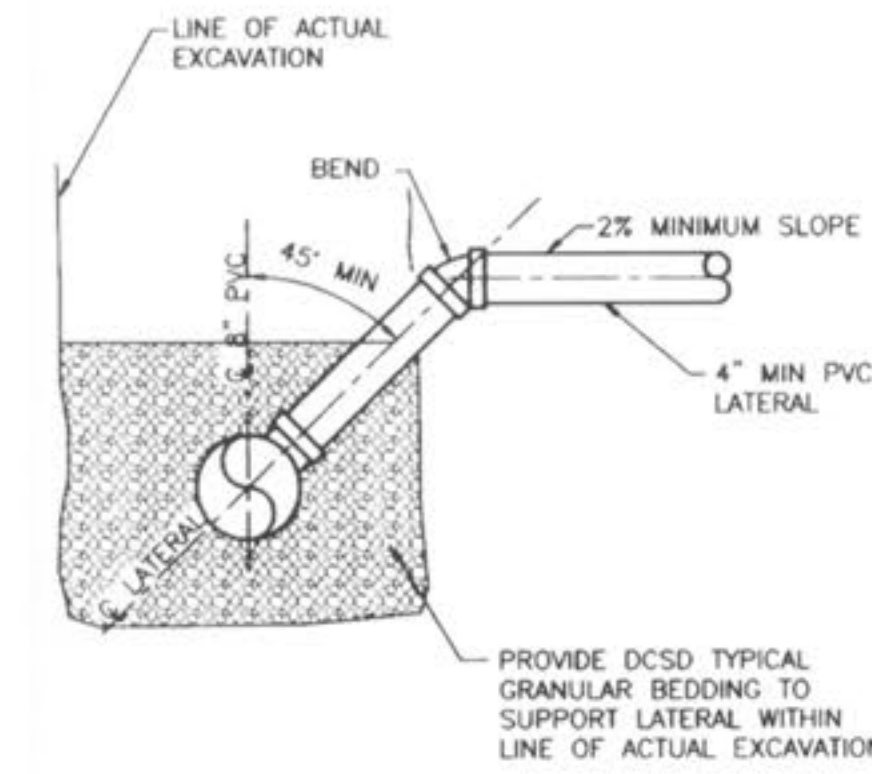


* MINIMUM DIFFERENCE BETWEEN BASEMENT FLOOR ELEVATION AND FLOW LINE OF SANITARY MAIN

NOTE: DIFFERENCE IN DEPTH INCREASES WITH PIPE SIZE

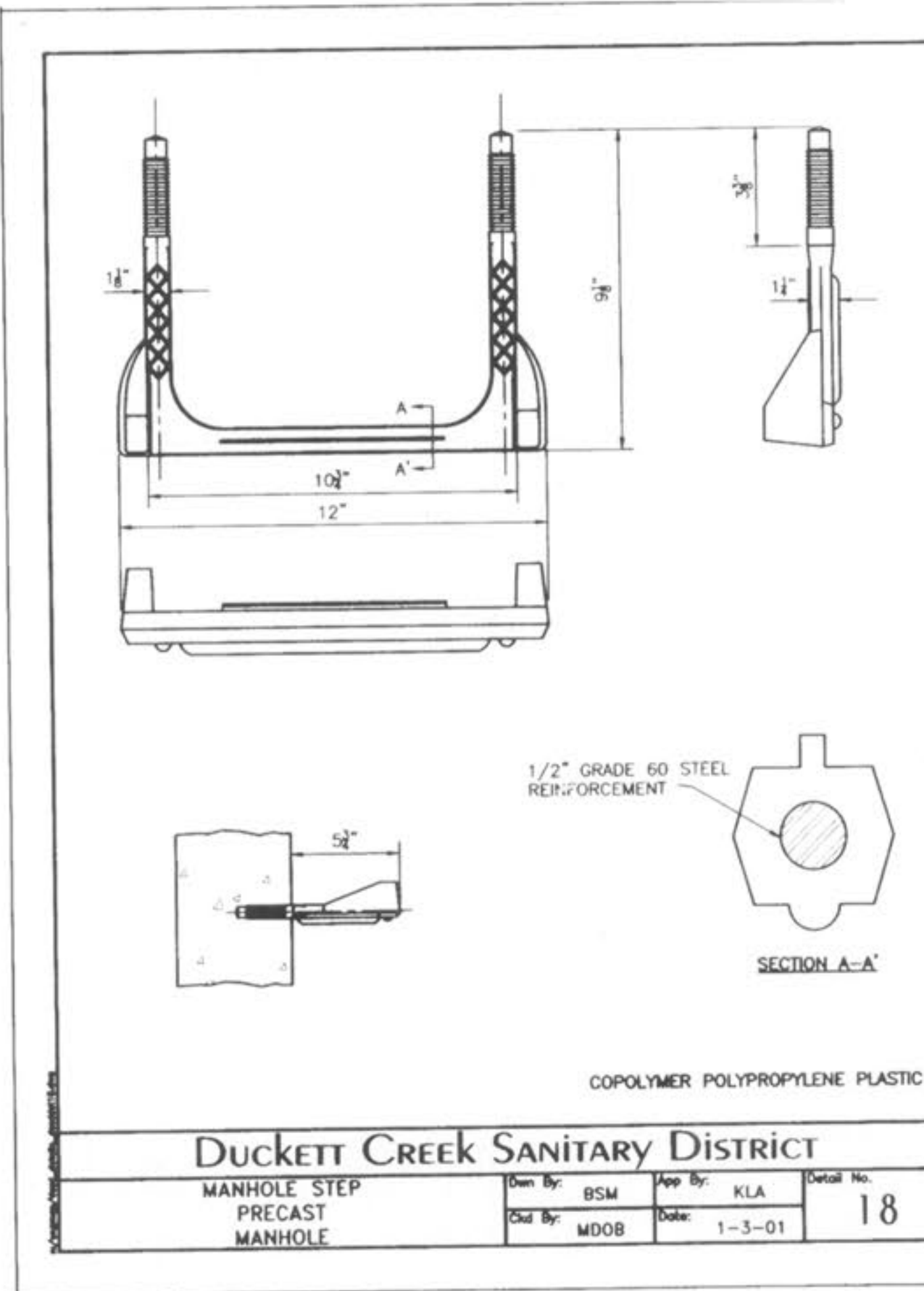
DUCKETT CREEK SANITARY DISTRICT

TYPICAL SANITARY SEWER LATERAL PROFILE	Drawn By: BSM	App By: KLA	Detail No. 26
	Chk By: MDOB	Date: 1-9-01	



DUCKETT CREEK SANITARY DISTRICT

SANITARY SEWER LATERAL RISER DETAIL	Drawn By: BSM	App By: KLA	Detail No. 27
	Chk By: MDOB	Date: 1-9-01	



DUCKETT CREEK SANITARY DISTRICT

MANHOLE STEP PRECAST MANHOLE	Drawn By: BSM	App By: KLA	Detail No. 18
	Chk By: MDOB	Date: 1-3-01	

- △ 2010-11-03 FOR PERMIT
- △ 2010-07-21 REVISED PER CITY & PWS COMMENTS
- △ 2010-06-30 REVISED PER CITY COMMENTS
- △ 2010-16-09 PROGRESS PRINTING #2
- △ 2010-05-24 REVISED PER SEWER DISTRICT COMMENTS

SANITARY SEWER DETAILS

CENTENE DATA CENTER

NOV. 3, 2010

GEORGE M. STOCK E-25116
CIVIL ENGINEER
CERTIFICATE OF AUTHORITY
NUMBER: 000996

STOCK & ASSOCIATES
Consulting Engineers, Inc.

257 Chesterfield Business Parkway
St. Louis, MO 63005
PH. (636) 530-9100
FAX (636) 530-9130
e-mail: general@stockassoc.com
Web: www.stockassoc.com

DRAWN BY: J.M.B.	DATE: 05/07/10	CHECKED BY: G.M.S.	DATE: 05/07/10	JOB NUMBER: 209-4511	SHEET: C13A of 21
------------------	----------------	--------------------	----------------	----------------------	-------------------