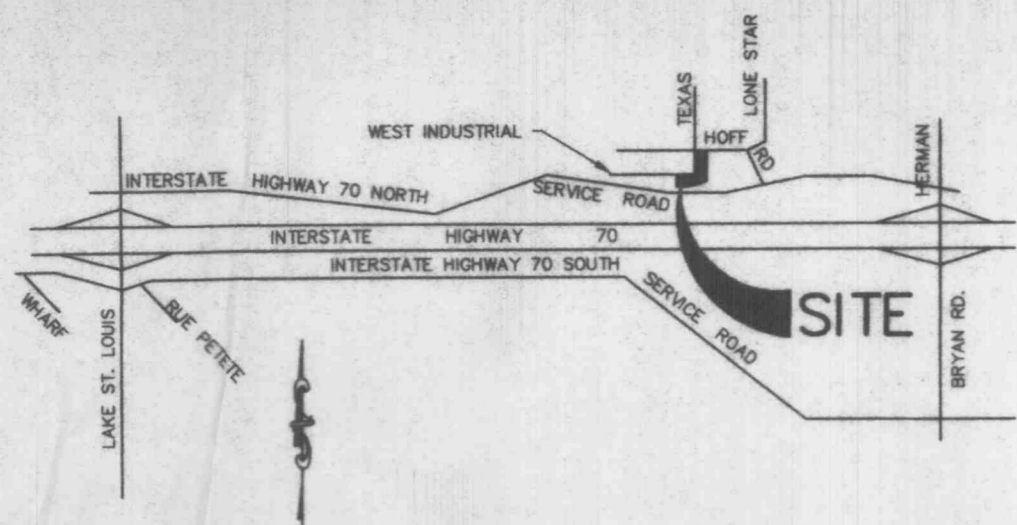
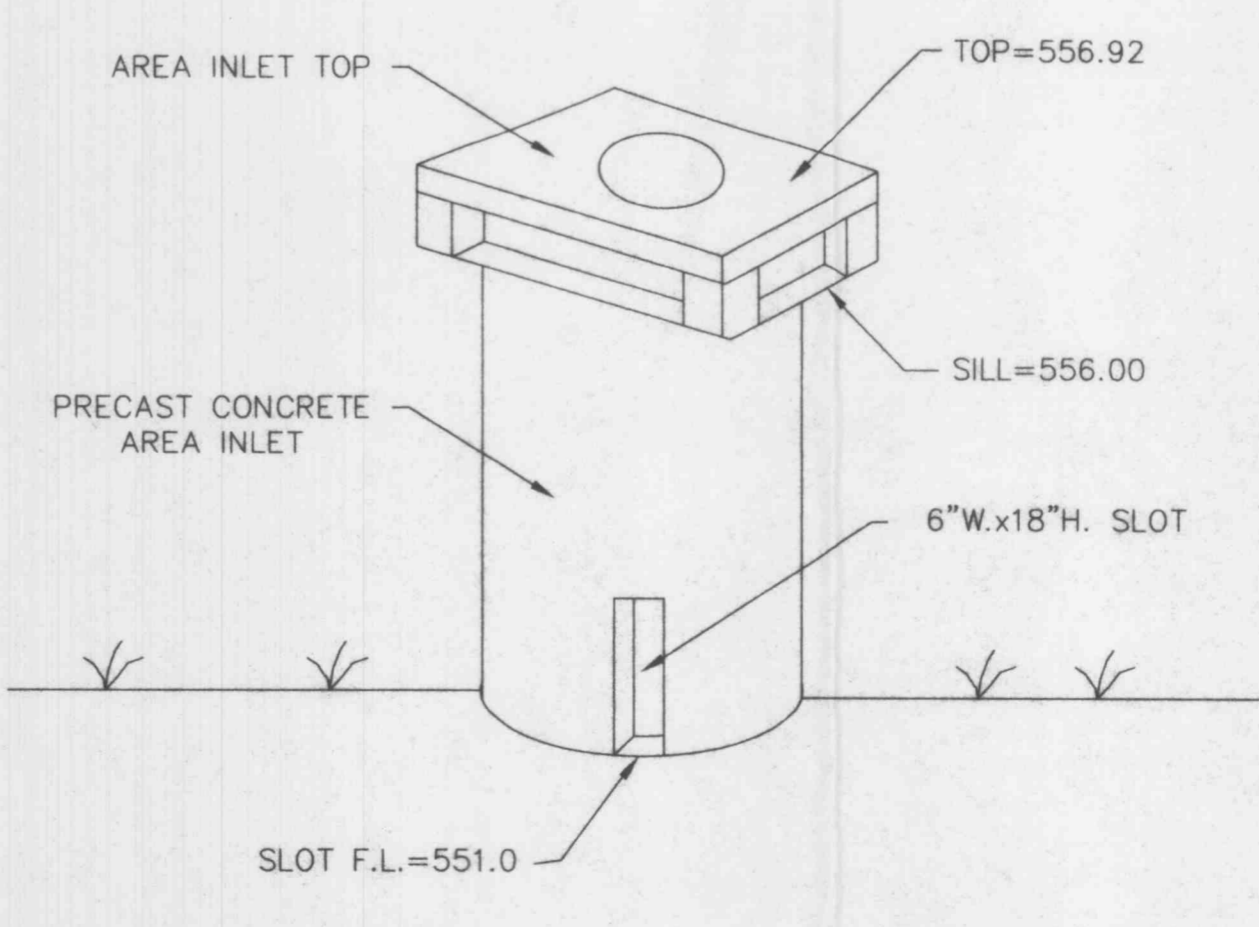
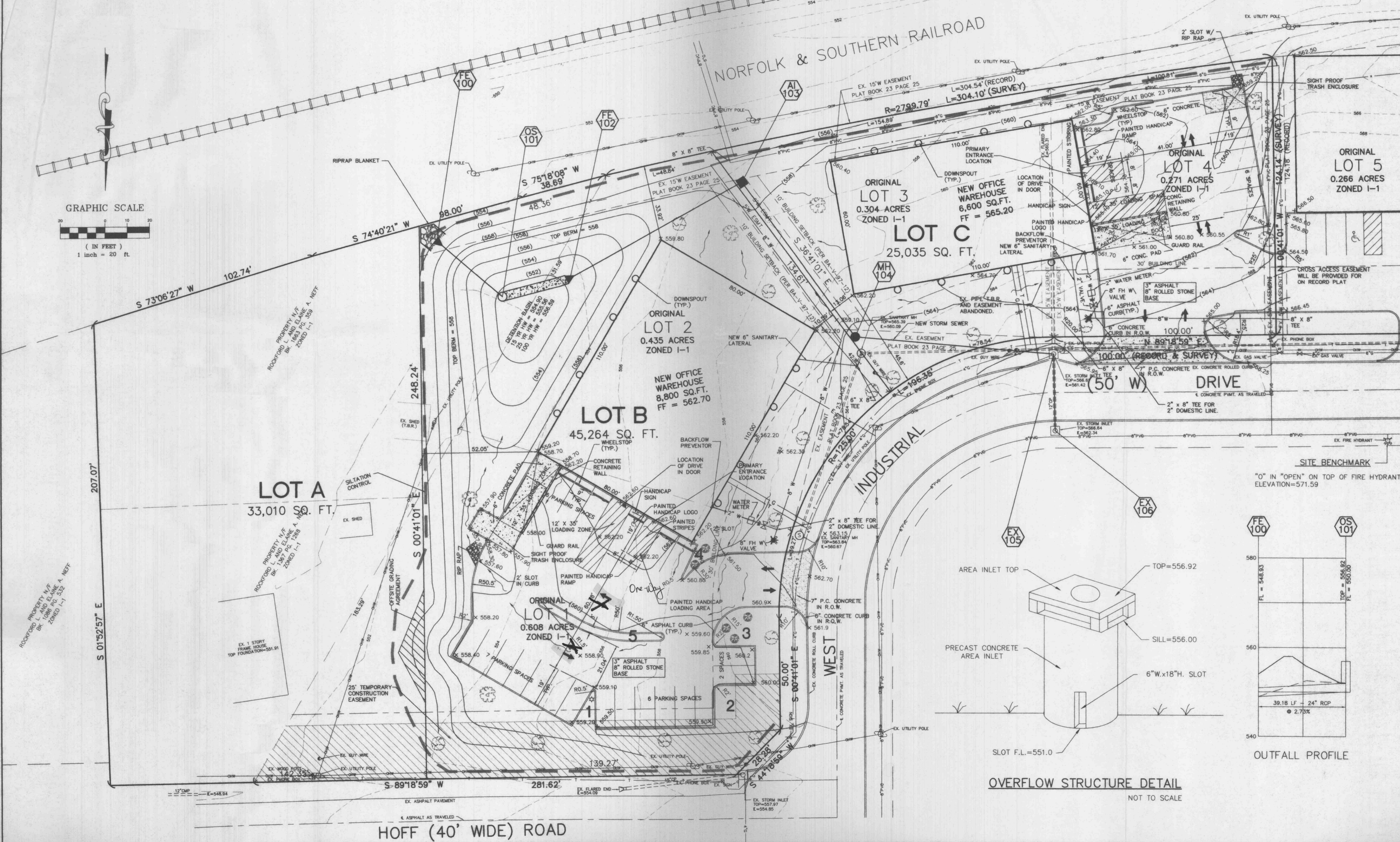
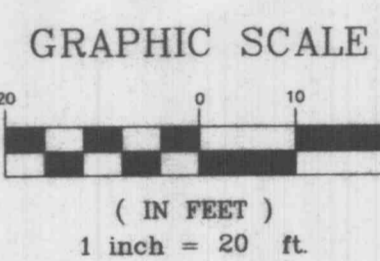


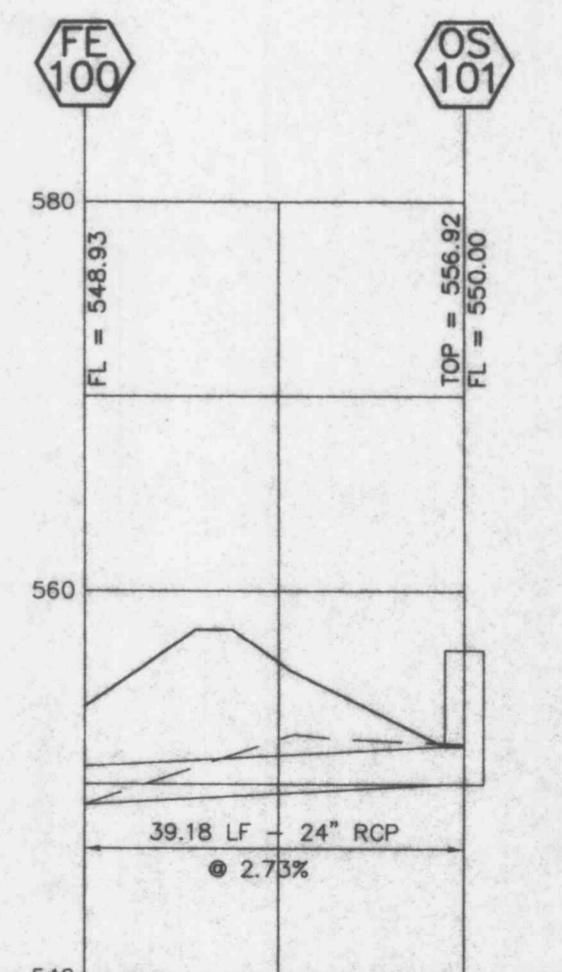
**A SITE PLAN OF
RESUBDIVISION OF ALL OF LOTS 1,2,3, AND 4 OF
RESUBDIVISION OF CHARLESTOWN WEST INDUSTRIAL PARK
A TRACT OF LAND BEING PART U.S. SURVEY 1780 AND
PART OF FRACTIONAL SECTIONS 25 AND 26
TOWNSHIP 47 NORTH, RANGE 2 EAST
OF THE FIFTH PRINCIPAL MERIDIAN,
ST. CHARLES COUNTY, MISSOURI**



LOCATION MAP
N.T.S.



OVERFLOW STRUCTURE DETAIL
NOT TO SCALE



OUTFALL PROFILE

DISCLAIMER OF RESPONSIBILITY
I hereby specify that the documents intended to be understood by my seal are limited to this sheet, and I hereby disclaim any responsibility for all other drawings, specifications, estimates, reports or other documents or instruments relating to or intended to be used for any part or parts of the architectural or engineering project of survey.

Copyright 1994
B&B Engineering Company, Inc.
All Rights Reserved

REVISIONS

DATE	REVISIONS
3/17/97	CITY COMMENTS
3/19/97	CITY COMMENTS
4/18/97	CON. PLANS
5/14/97	REV. CON.
5/28/97	CITY COMMENTS

**ENGINEERING
PLANNING
SURVEYING**

1052 South Cloverleaf Drive
St. Peters, MO. 63378-0445
314-928-5552
FAX 928-1718

2-7-97
DATE
96-8569
PROJECT NUMBER
2 OF 3
SHEET OF
8569CON.DWG
FILE NAME
RJS RLF
DRAWN CHECKED

PREPARED FOR:
**JOHN SHELTON
ROUTE 3, BOX 37
MONTGOMERY CITY, MO 63361
573-564-3498**