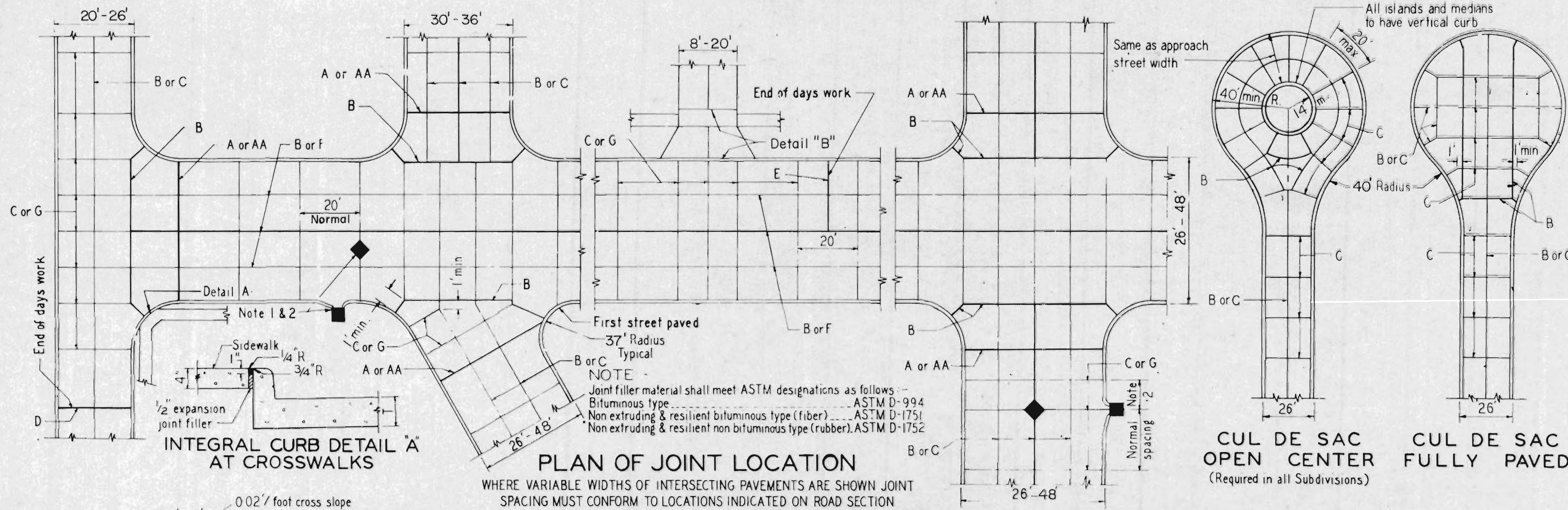


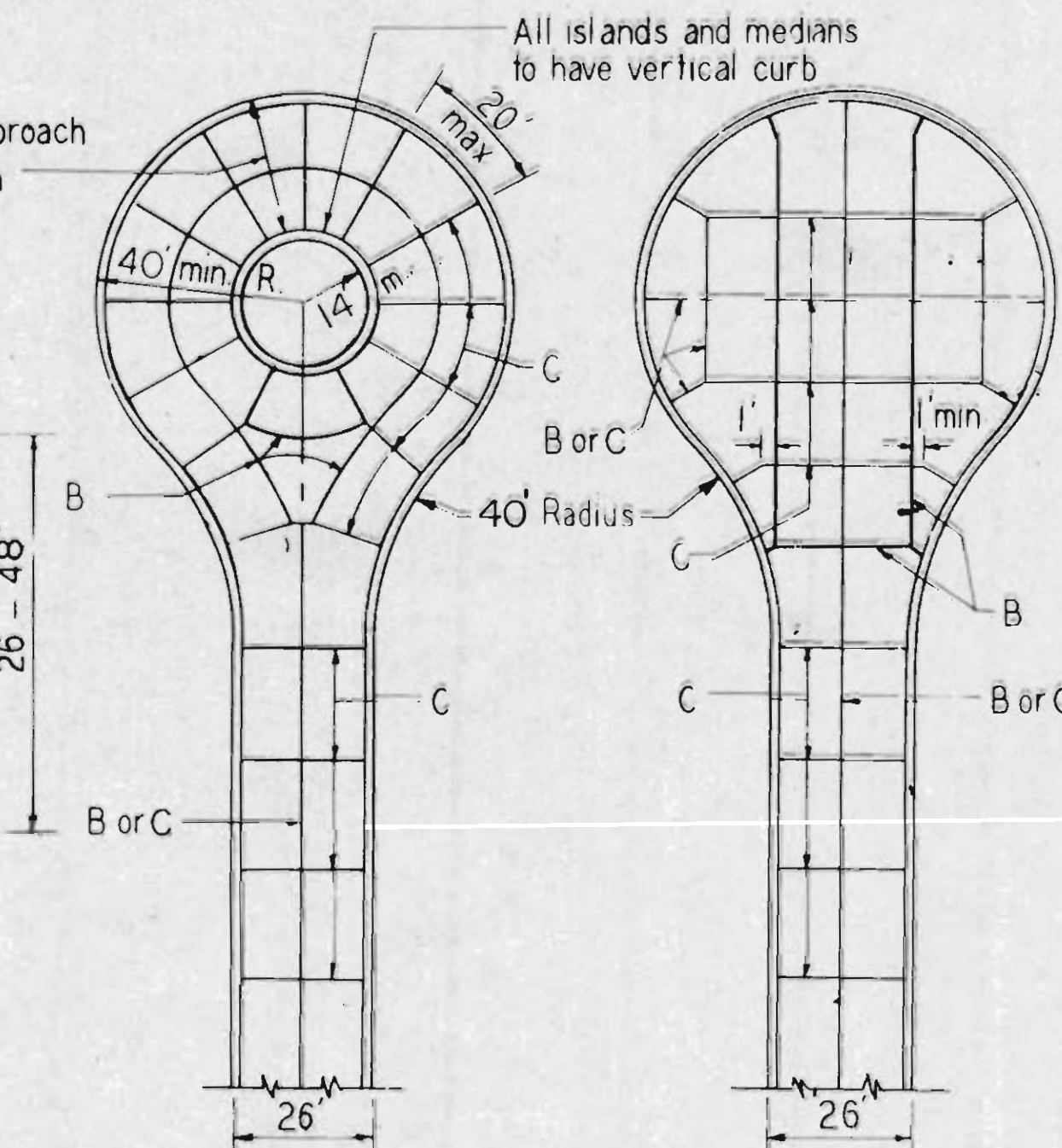
INTEGRAL CURB PAVEMENT TYPICAL SECTIONS AND DETAILS



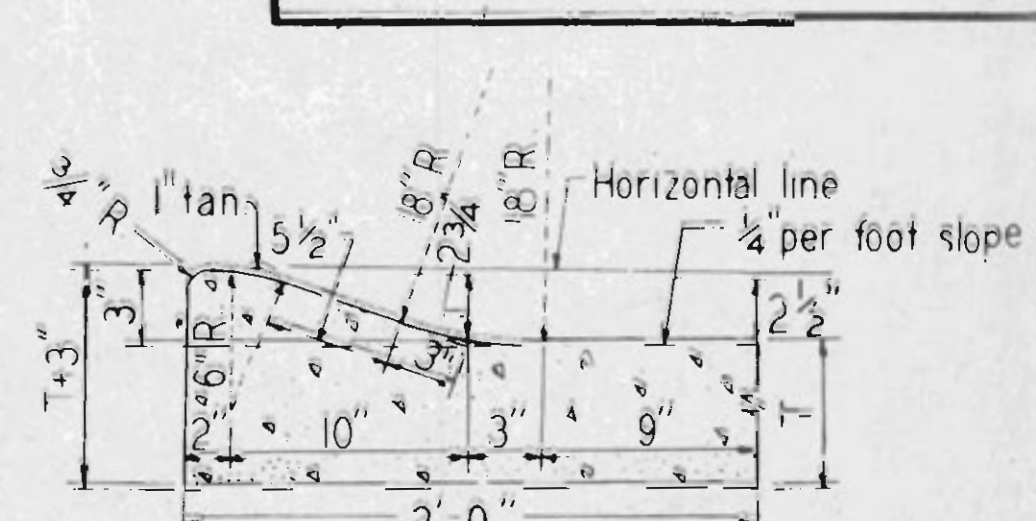
INTEGRAL CURB DETAIL 'A' AT CROSSWALKS

PLAN OF JOINT LOCATION

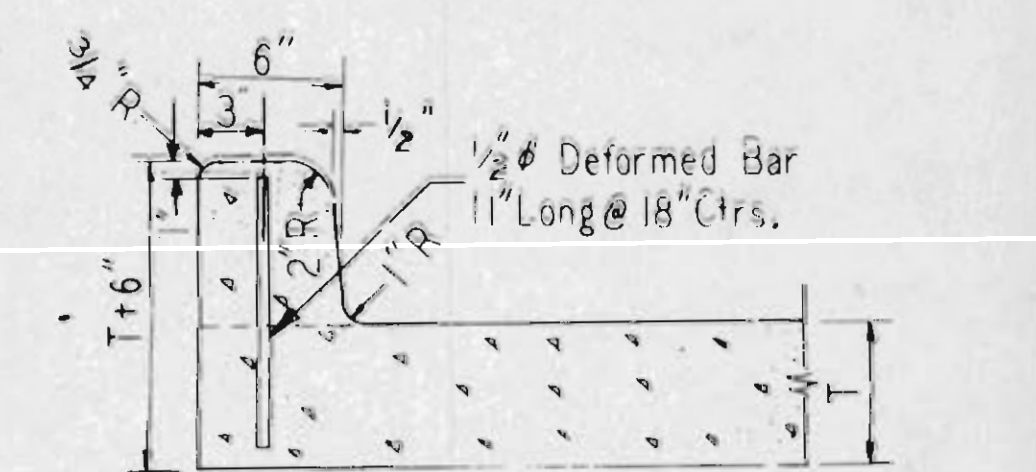
WHERE VARIABLE WIDTHS OF INTERSECTING PAVEMENTS ARE SHOWN JOINT SPACING MUST CONFORM TO LOCATIONS INDICATED ON ROAD SECTION



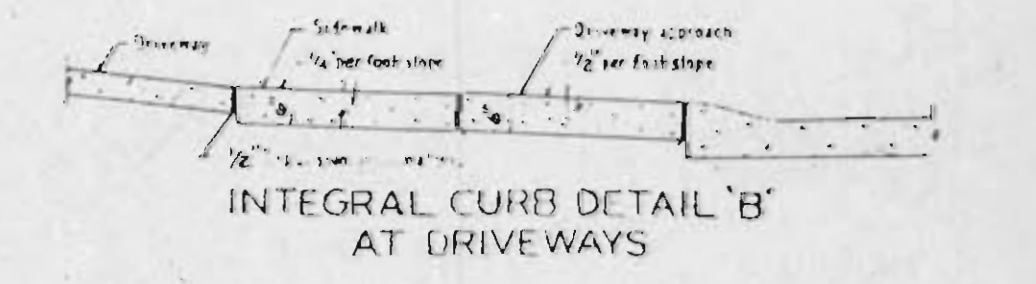
CUL DE SAC OPEN CENTER
CUL DE SAC FULLY PAVED
(Required in all Subdivisions)



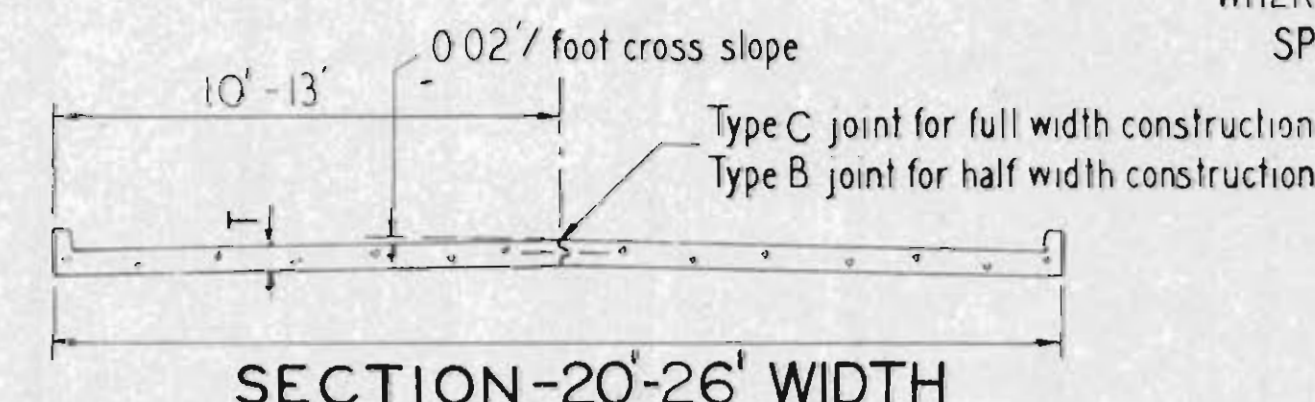
INTEGRAL ROLLED CURB



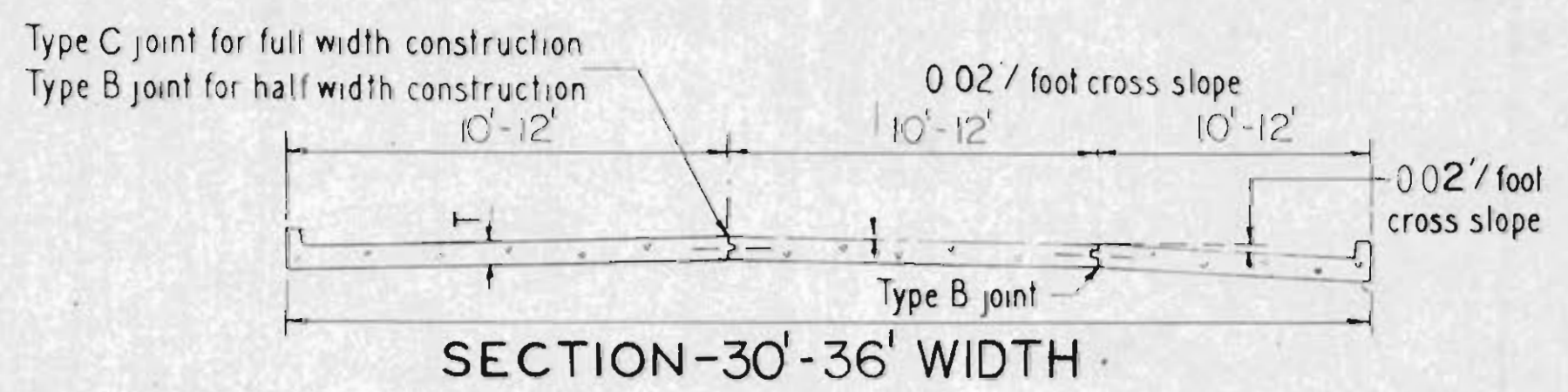
INTEGRAL VERTICAL CURB



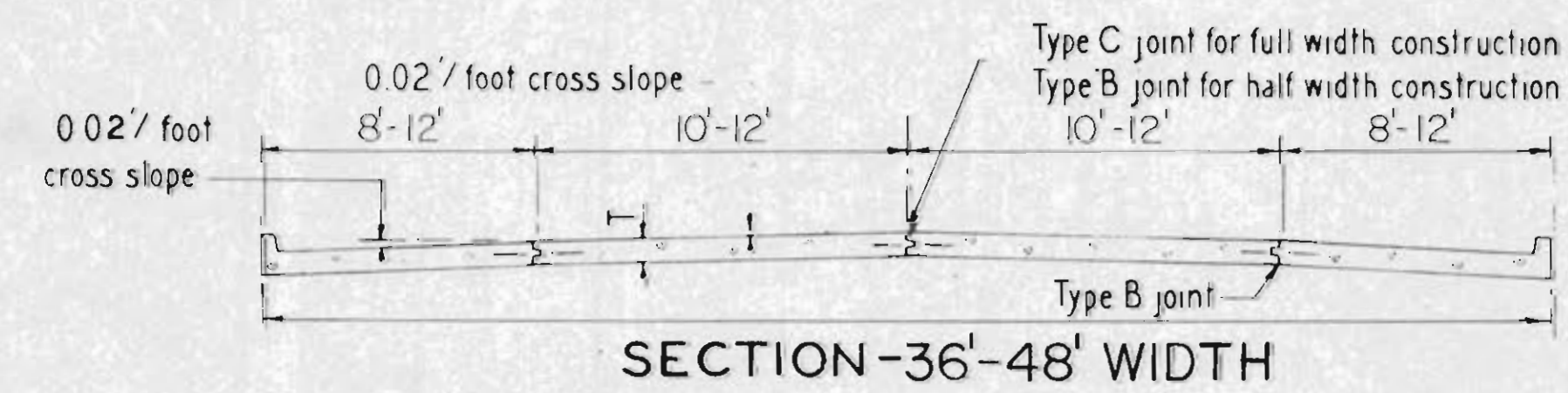
INTEGRAL CURB DETAIL 'B' AT DRIVEWAYS



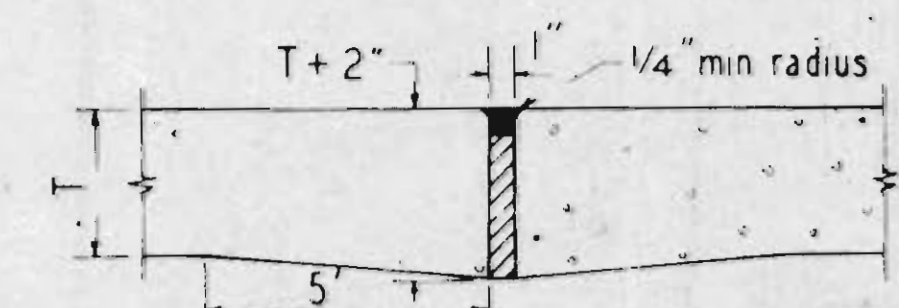
SECTION -20'-26' WIDTH



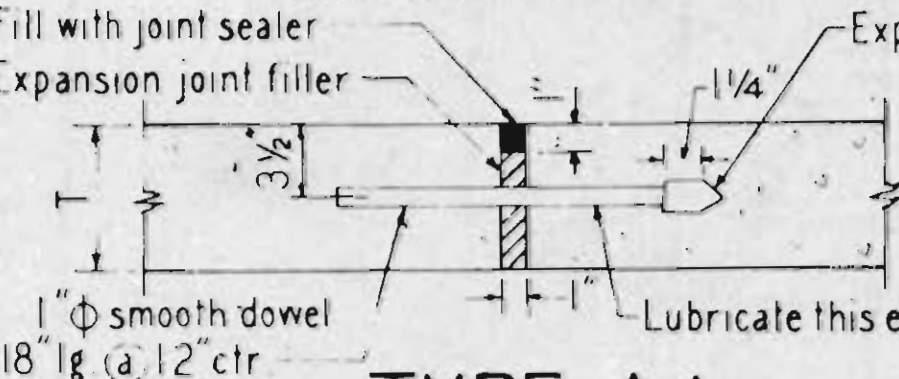
SECTION -30'-36' WIDTH



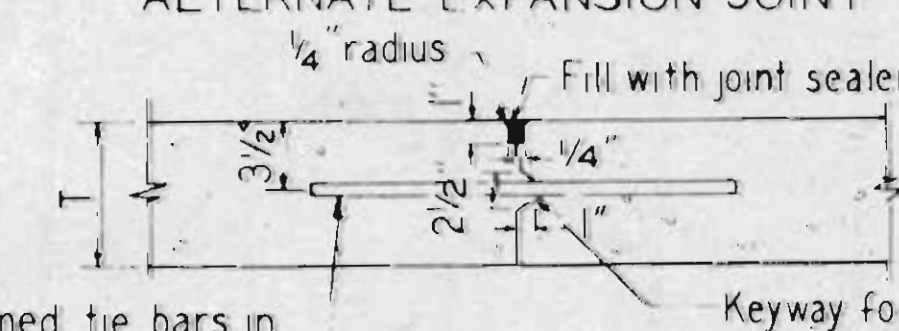
SECTION -36'-48' WIDTH



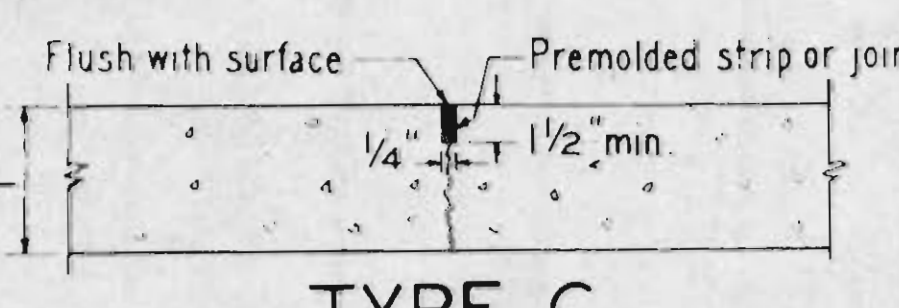
TYPE A EXPANSION JOINT



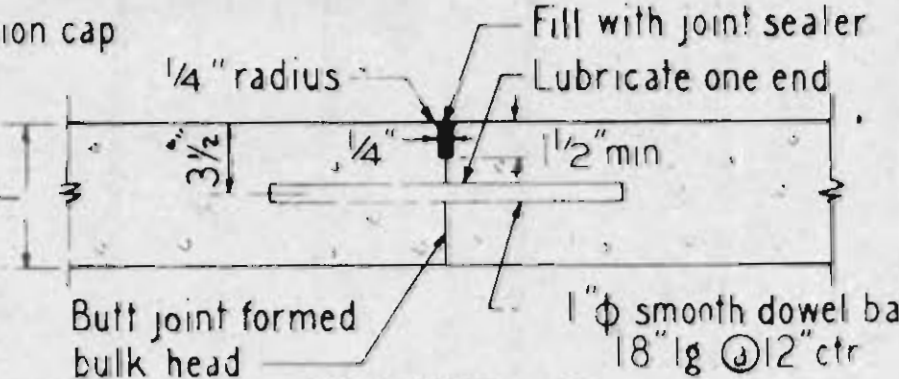
TYPE AA ALTERNATE EXPANSION JOINT



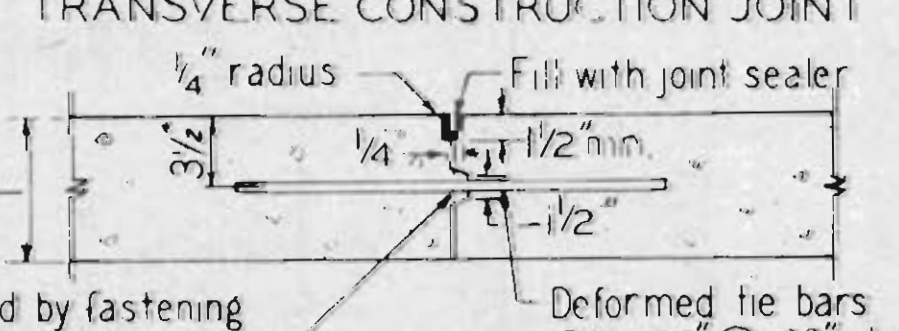
TYPE B LONGITUDINAL CONSTRUCTION JOINT



TYPE C SAWED OR PREMOLDED STRIP TRANSVERSE CONSTRUCTION JOINT

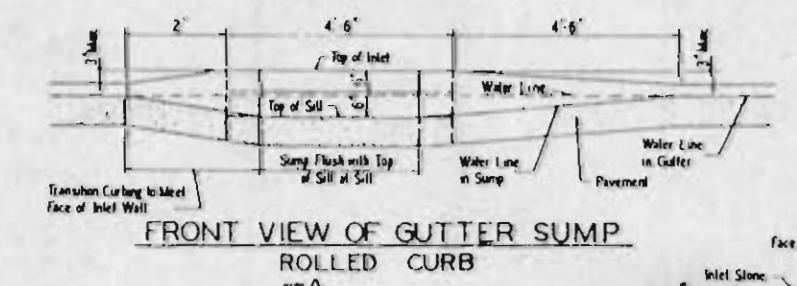


TYPE D TRANSVERSE CONSTRUCTION JOINT

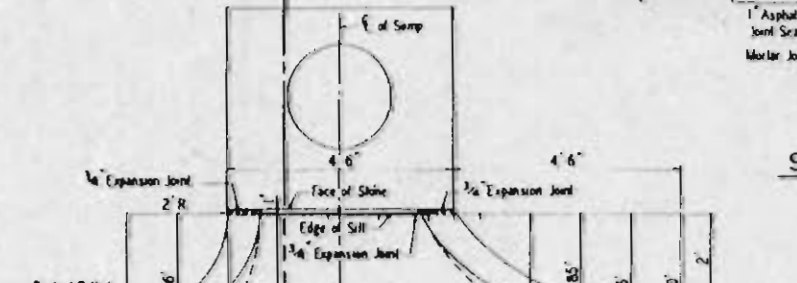


TYPE E TIED TRANSVERSE CONSTRUCTION JOINT

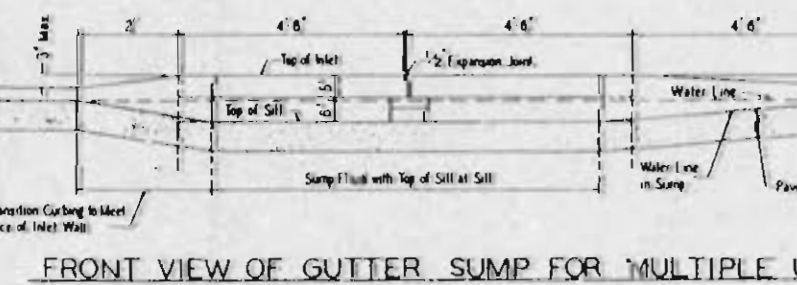
(TO BE USED AT POINT NOT ON 20' JOINT SPACING)



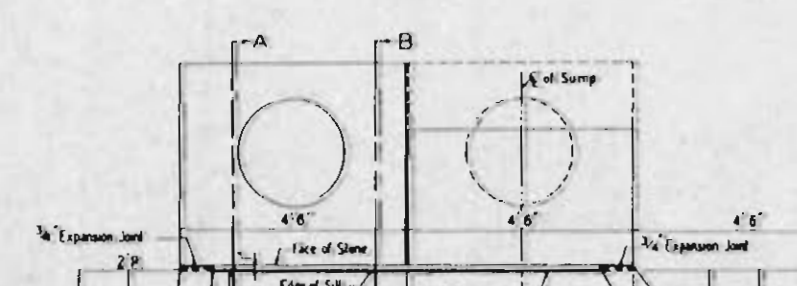
FRONT VIEW OF GUTTER SUMP ROLLED CURB



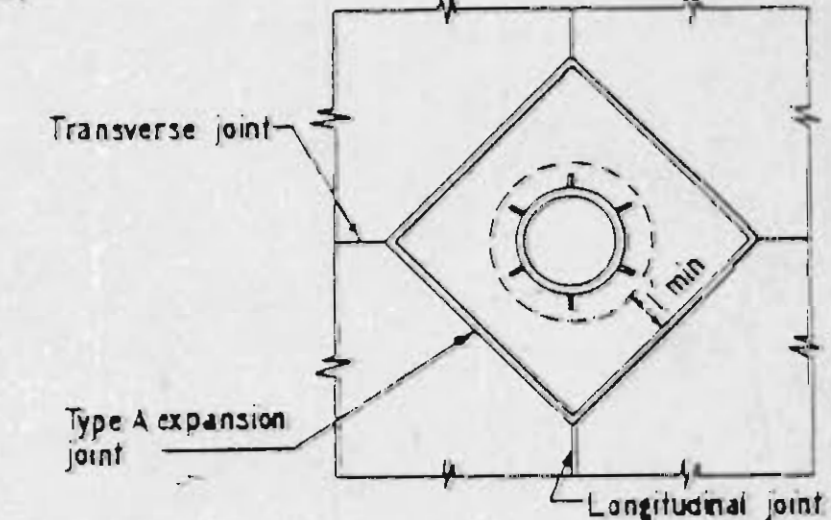
PLAN VIEW OF GUTTER SUMP ROLLED CURB



FRONT VIEW OF GUTTER SUMP FOR MULTIPLE UNIT ROLLED CURB



PLAN VIEW OF GUTTER SUMP FOR MULTIPLE UNIT ROLLED CURB



MANHOLE BOXING
NOTE: Manhole castings within the pavement limits shall be boxed as shown.

5) Minimum Thickness for Pavement is:

Street Classification	Concrete (")
Local or Minor Streets	6"
Major or Industrial Streets	7"
Arterial or Industrial Streets	8"

- General Notes:
- All catch basins shall be separated from the pavement and curb by expansion joint material extending completely through curb and slab. Manhole castings within the pavement limits shall be boxed as shown in the "Sewer Construction Details".
 - When a joint falls within 5 ft. of or contacts basins, manholes, or other structures, shorten one or more panels either side of opening to permit joint to fall on round structures and at or between corners of rectangular structures.
 - Driveway configurations are shown in the "Entrance Construction Details".
 - Construction joint and dowel bars may be omitted when curb is poured integral with pavement.

- For minor Rural or Urban and Minor Subdivision pavements (6" thick concrete), 3/8" diameter deformed tie bars @ 30" ctr. shall be used for TYPE B longitudinal joints.
- Refer to Exhibit E3A for joint and bar requirements for different street classifications. Note that width and location of each paved portion of the pavement may change the type and location of joint required.
- Transverse or longitudinal construction joints in slip formed pavement may be made with groove of tool, if such device has been approved in advance by the St. Charles County Highway Department.