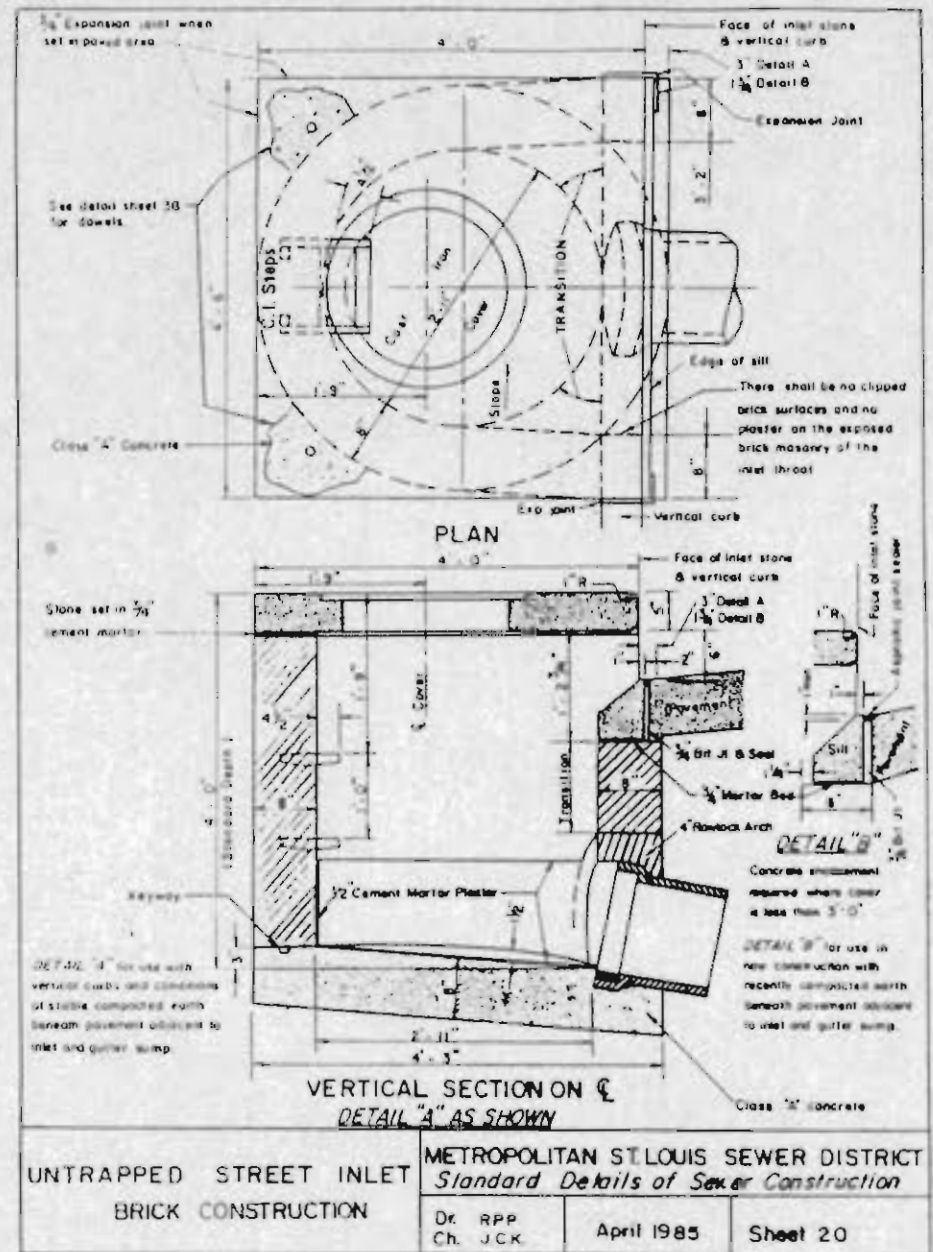
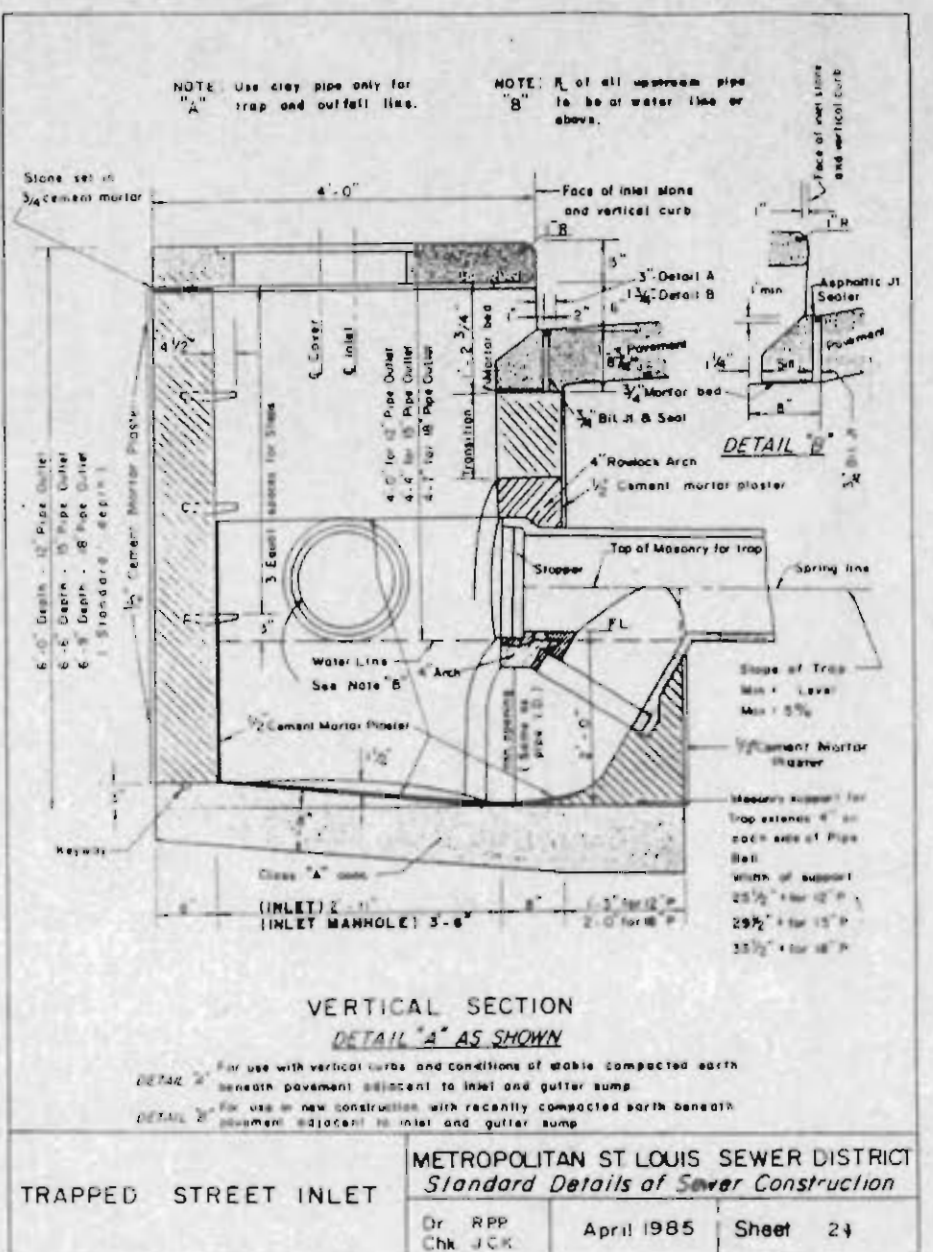


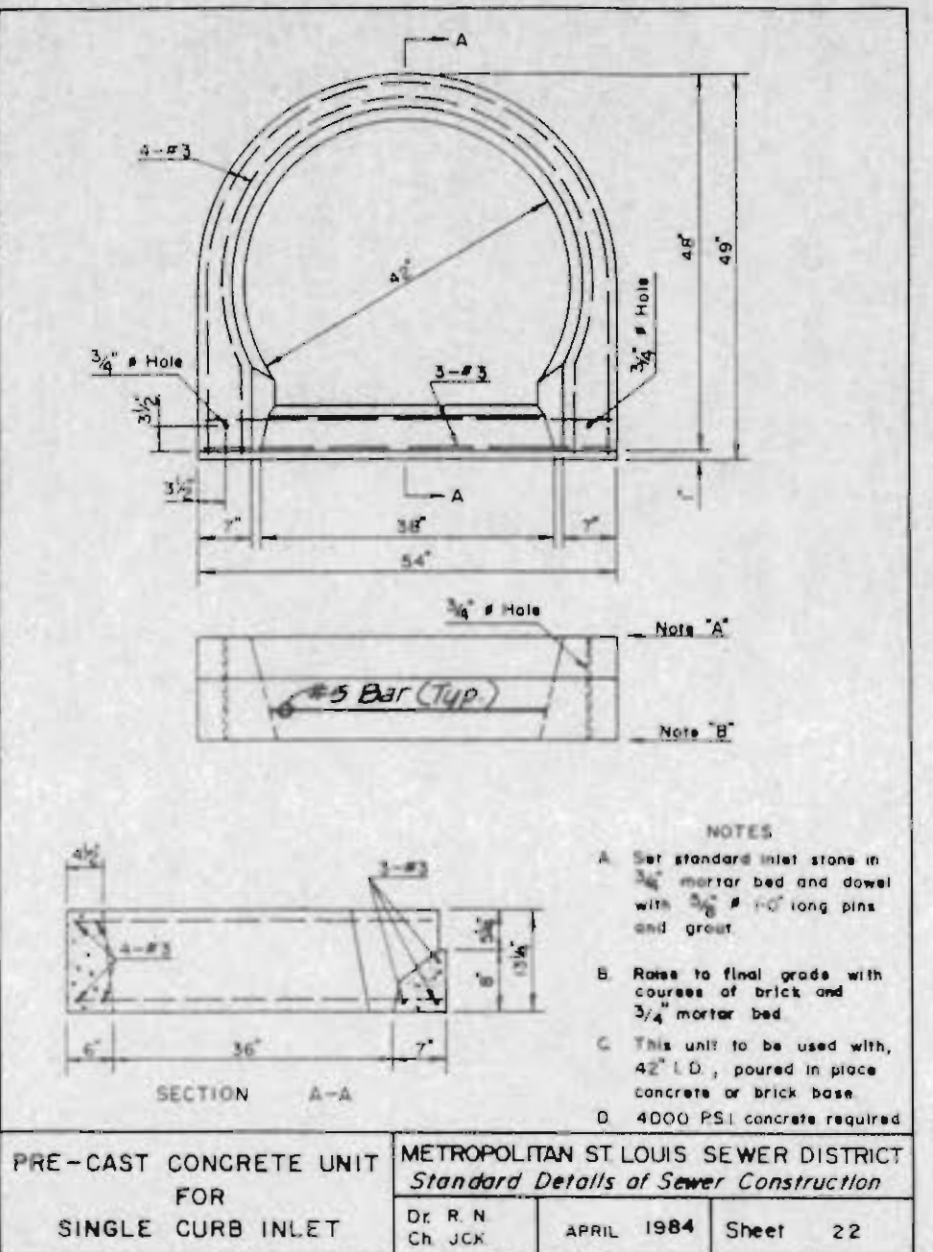
PRE-CAST CONCRETE MANHOLE FOR SEWERS 6" THROUGH 12"  
 METROPOLITAN ST. LOUIS SEWER DISTRICT  
 Standard Details of Sewer Construction  
 Dr. R.P.P. April 1984 Sheet 19



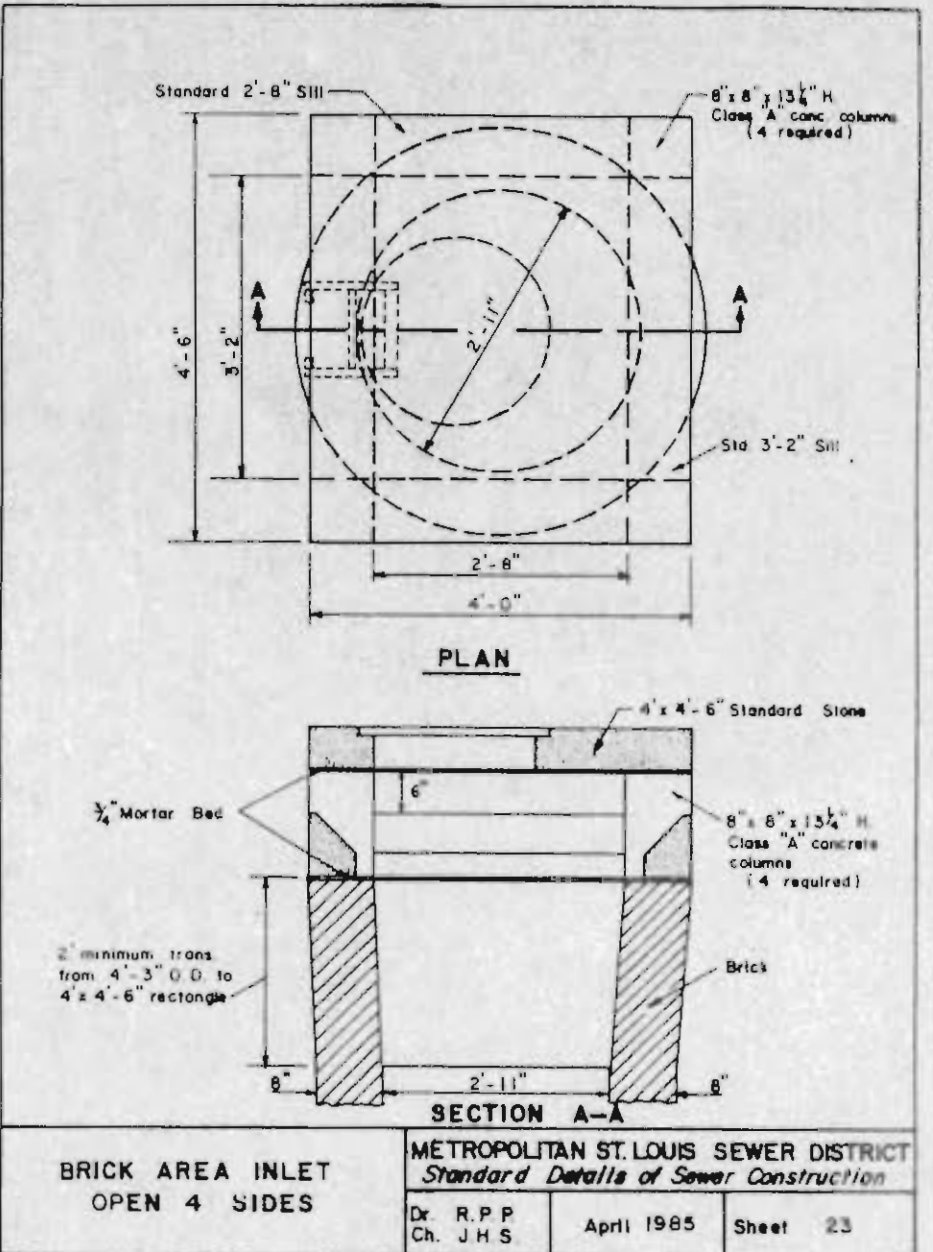
UNTRAPPED STREET INLET BRICK CONSTRUCTION  
 METROPOLITAN ST. LOUIS SEWER DISTRICT  
 Standard Details of Sewer Construction  
 Dr. R.P.P. April 1985 Sheet 20



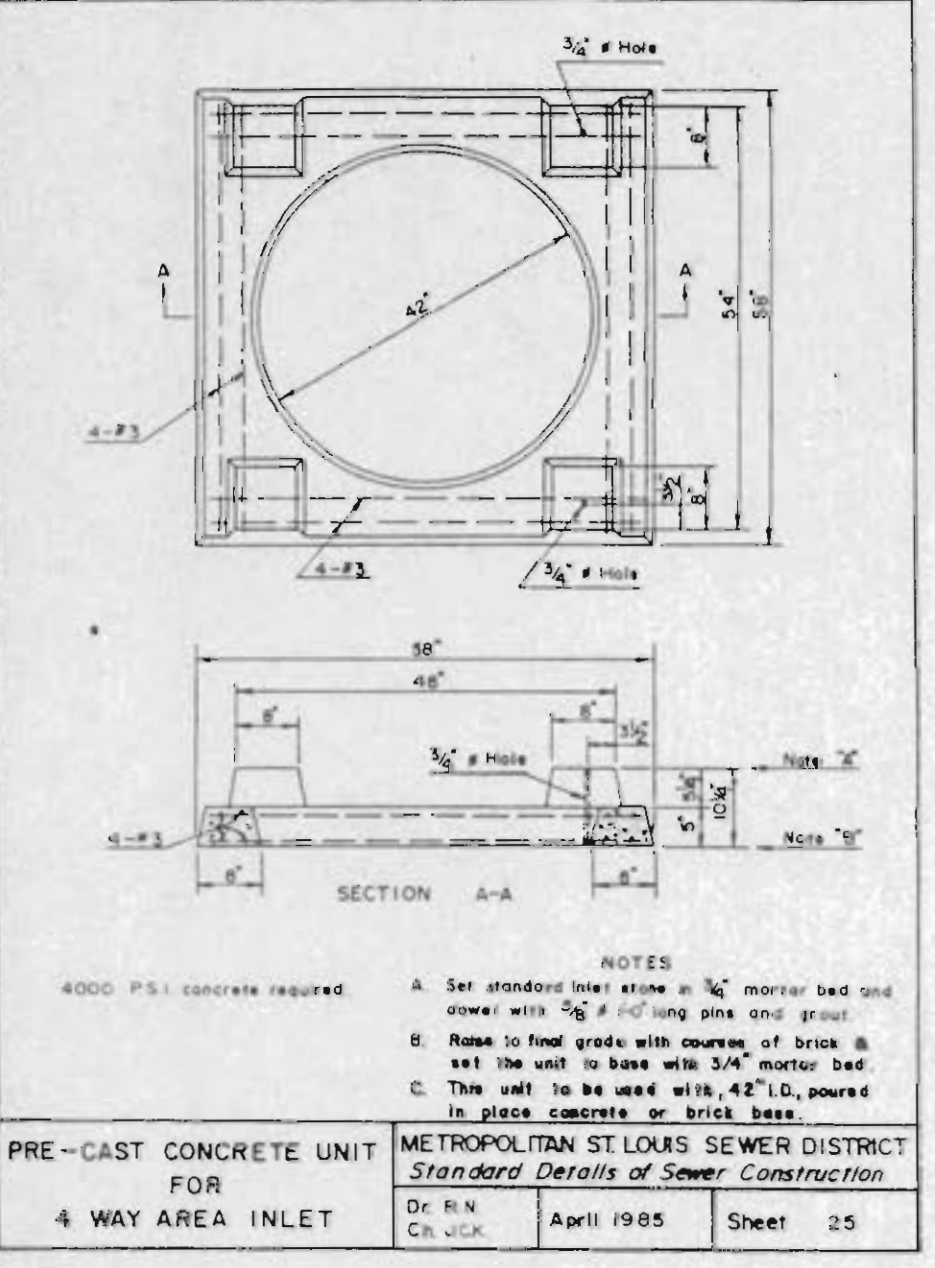
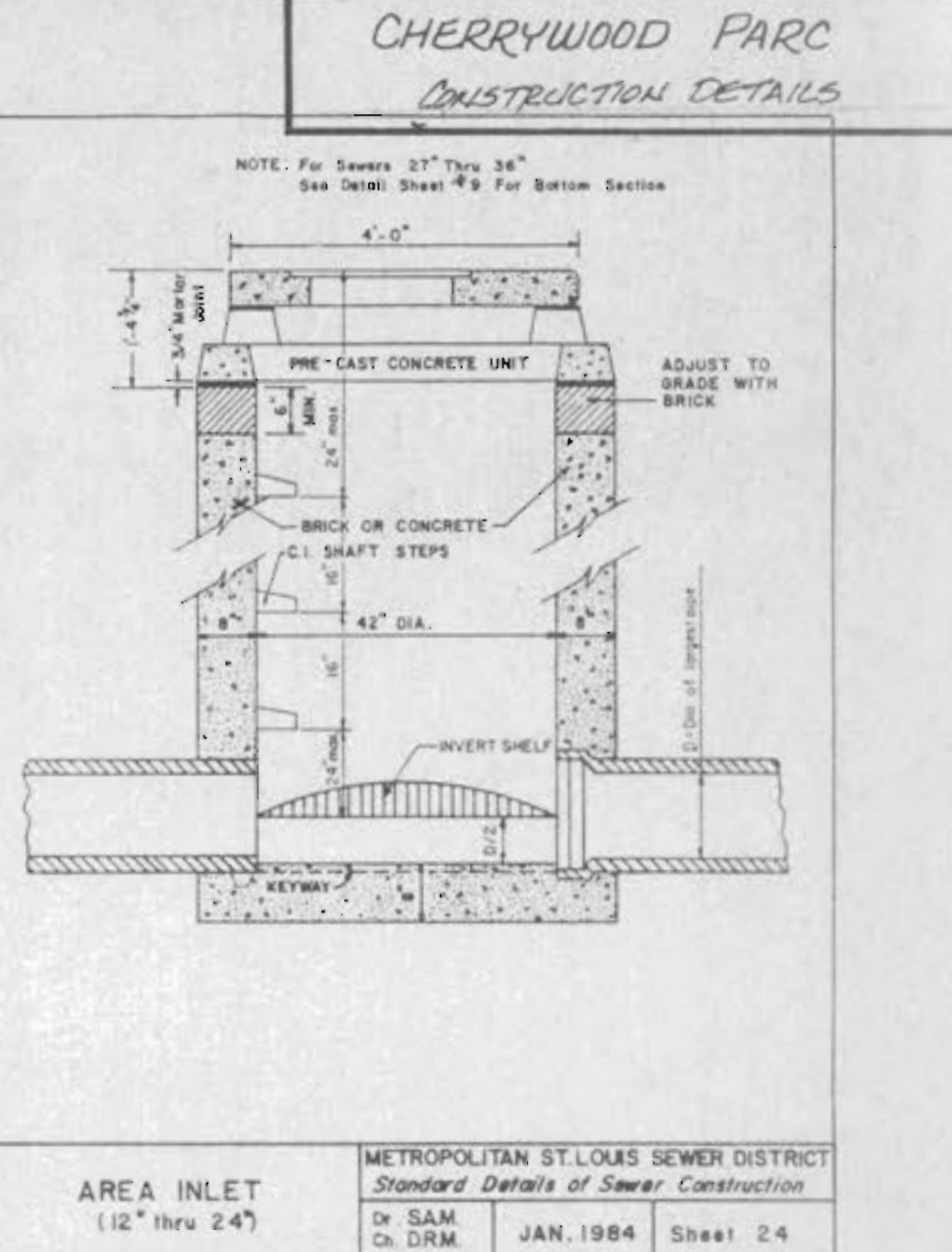
TRAPPED STREET INLET  
 METROPOLITAN ST. LOUIS SEWER DISTRICT  
 Standard Details of Sewer Construction  
 Dr. R.P.P. April 1985 Sheet 21



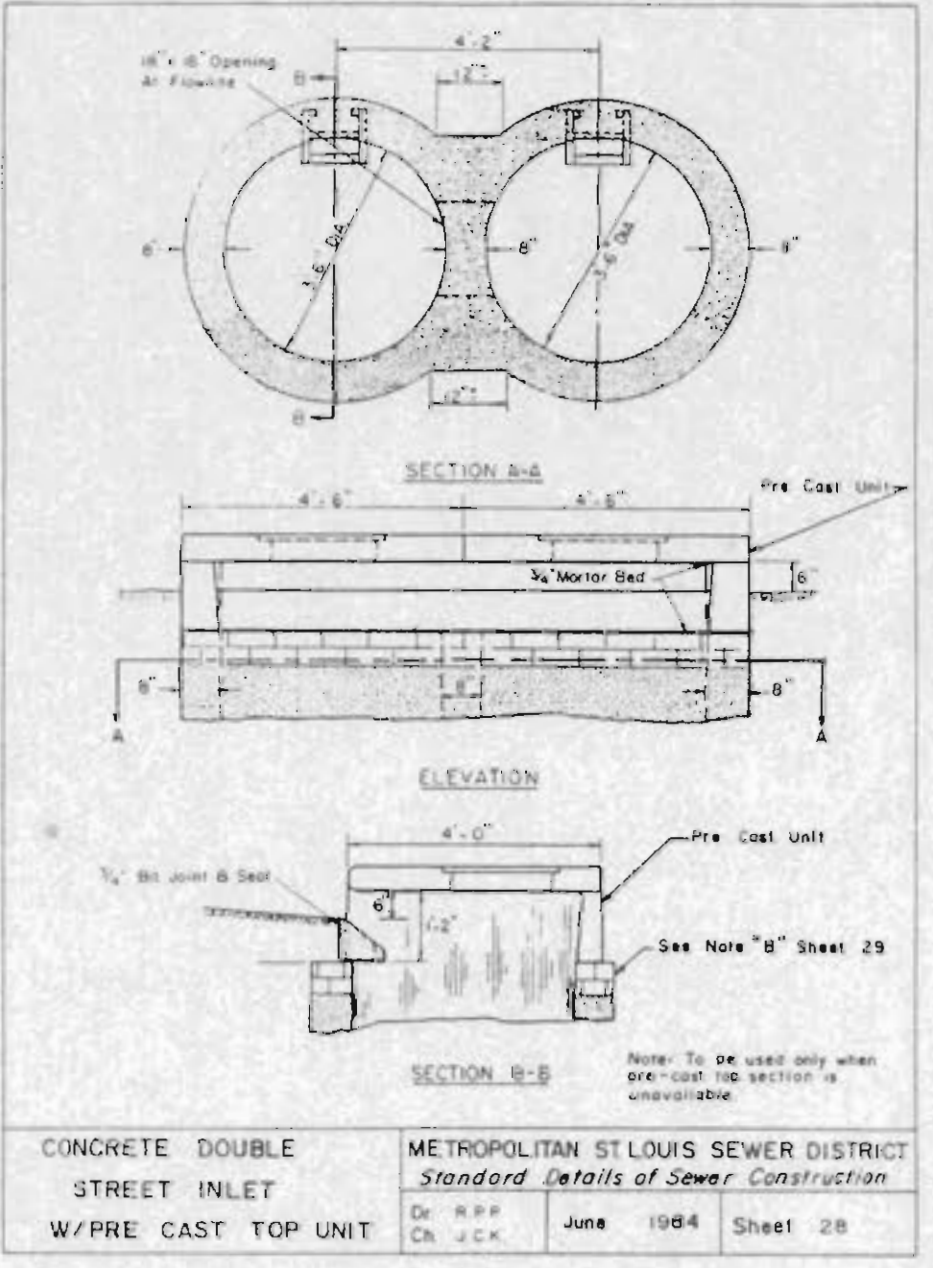
PRE-CAST CONCRETE UNIT FOR SINGLE CURB INLET  
 METROPOLITAN ST. LOUIS SEWER DISTRICT  
 Standard Details of Sewer Construction  
 Dr. R.P.P. April 1985 Sheet 22



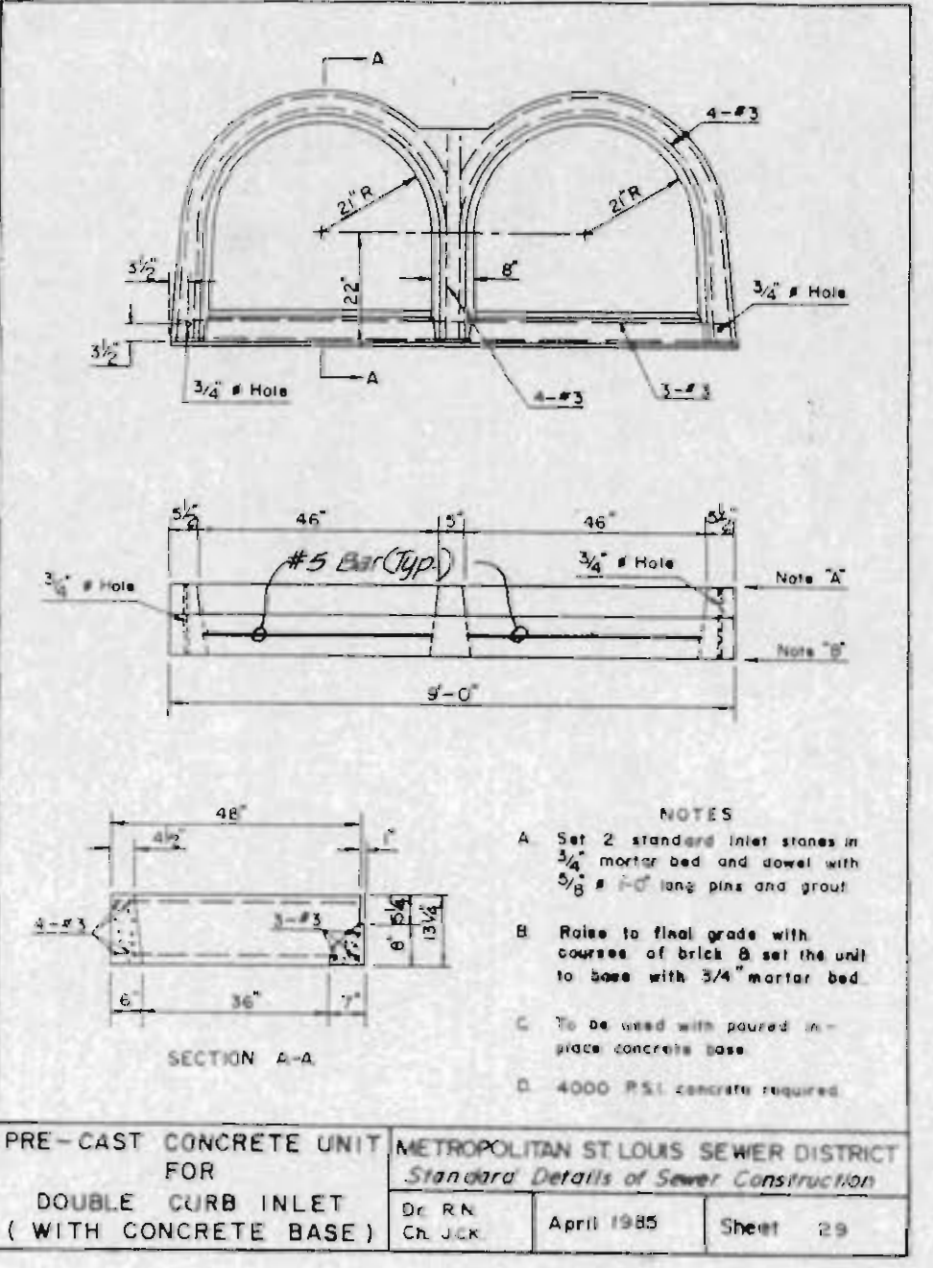
BRICK AREA INLET OPEN 4 SIDES  
 METROPOLITAN ST. LOUIS SEWER DISTRICT  
 Standard Details of Sewer Construction  
 Dr. R.P.P. April 1985 Sheet 23



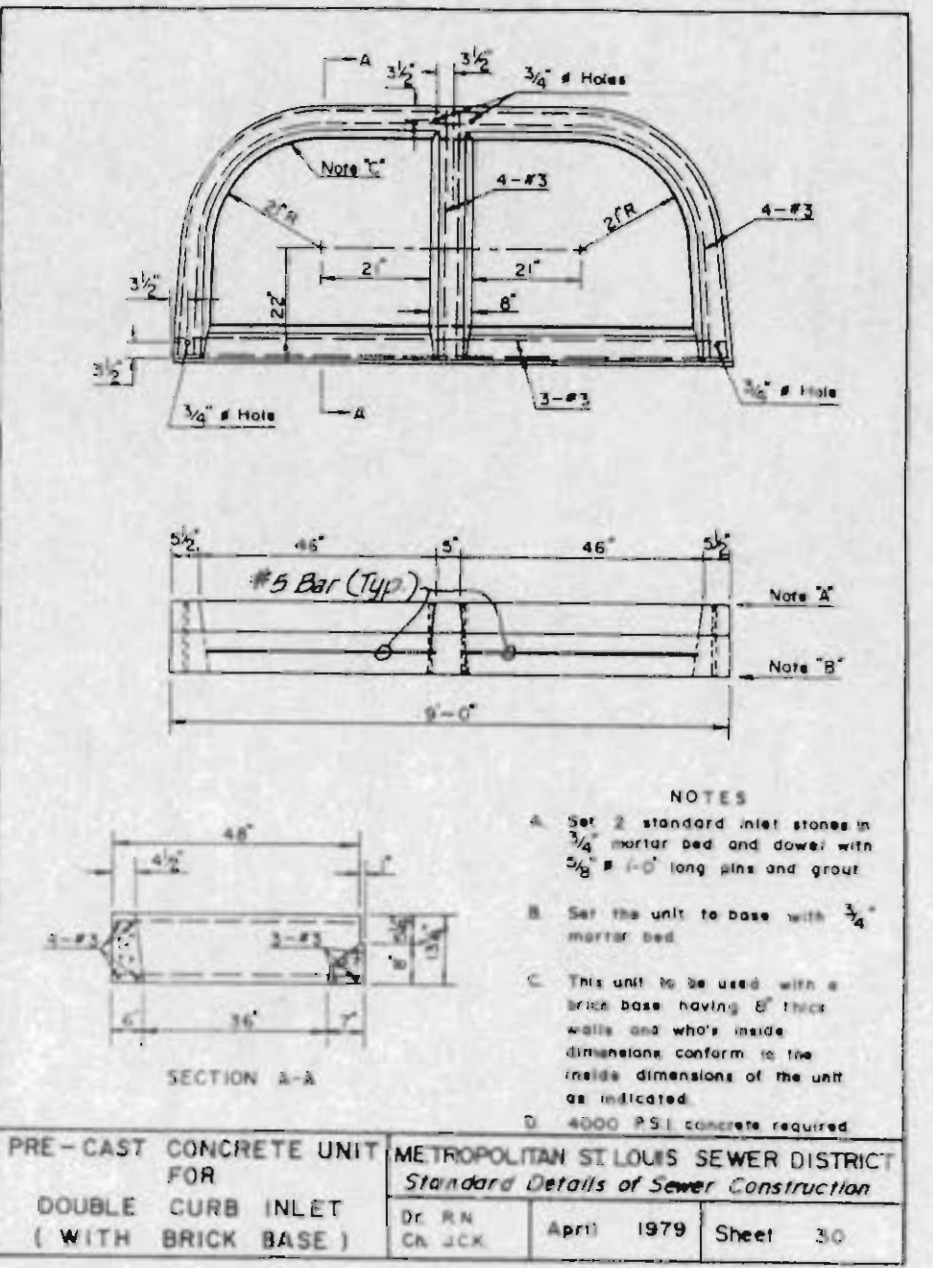
PRE-CAST CONCRETE UNIT FOR 4 WAY AREA INLET  
 METROPOLITAN ST. LOUIS SEWER DISTRICT  
 Standard Details of Sewer Construction  
 Dr. R.N. Ch. J.C.K. April 1985 Sheet 25



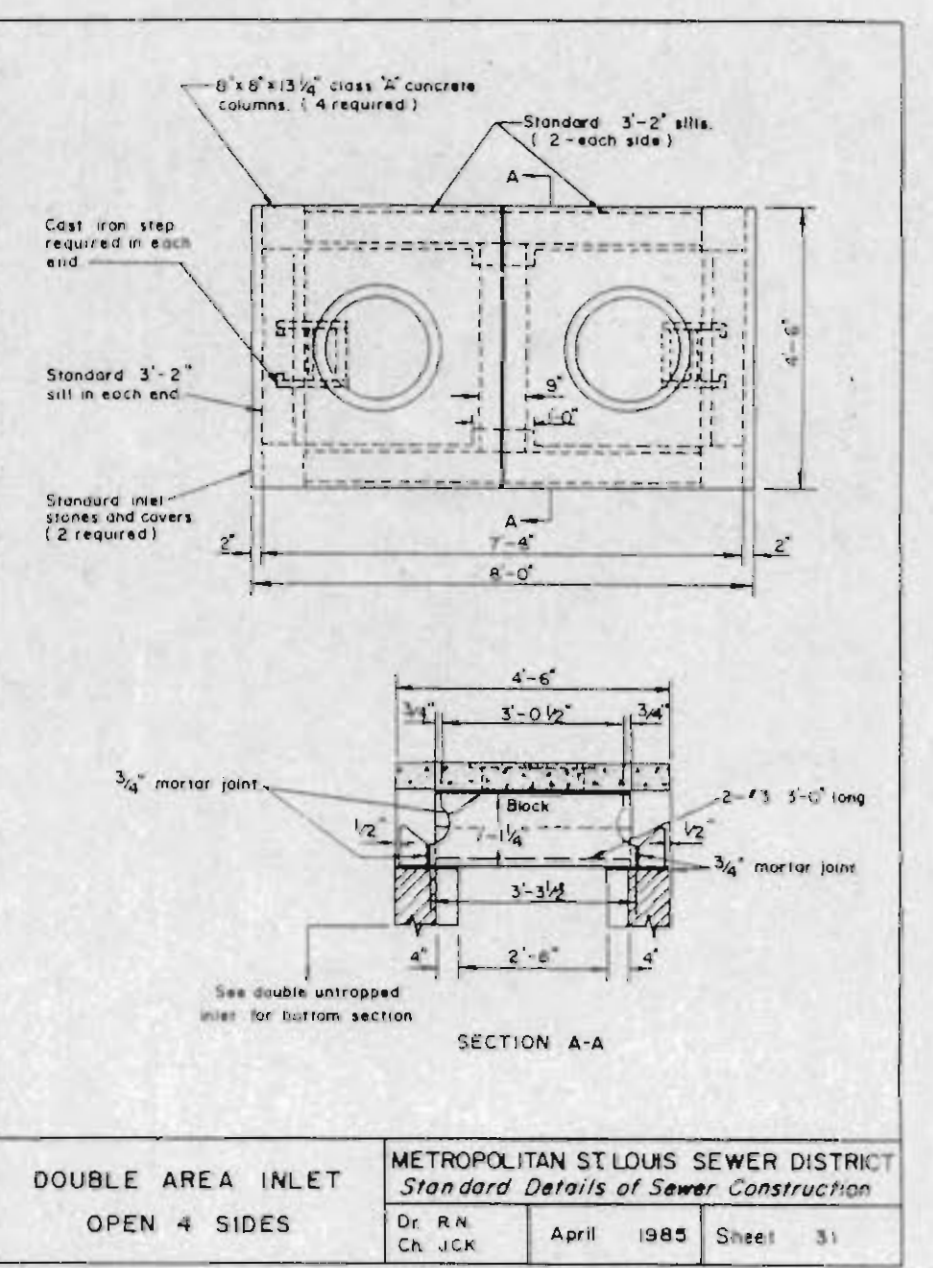
CONCRETE DOUBLE STREET INLET W/ PRE-CAST TOP UNIT  
 METROPOLITAN ST. LOUIS SEWER DISTRICT  
 Standard Details of Sewer Construction  
 Dr. R.P.P. June 1984 Sheet 28



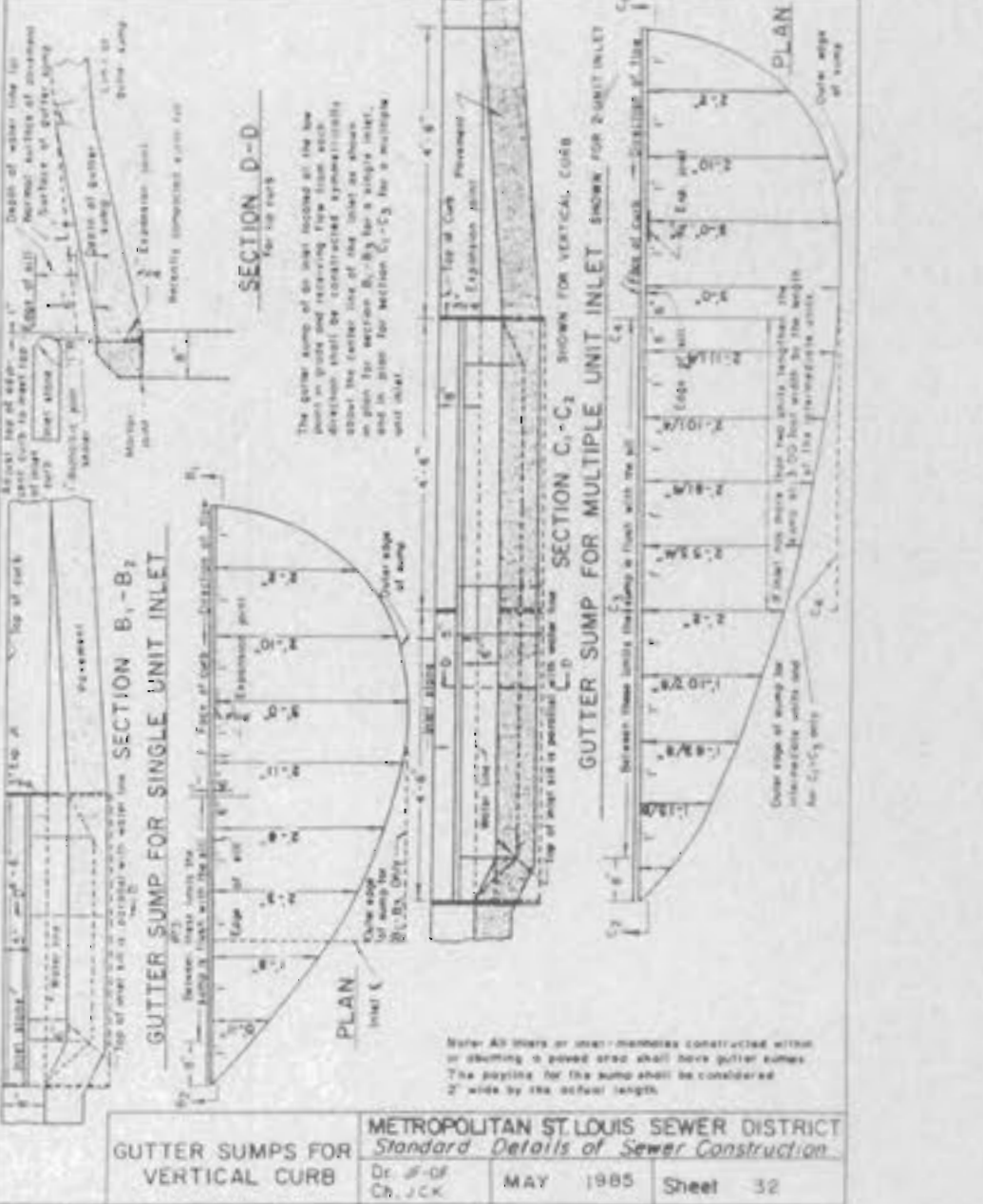
PRE-CAST CONCRETE UNIT FOR DOUBLE CURB INLET (WITH CONCRETE BASE)  
 METROPOLITAN ST. LOUIS SEWER DISTRICT  
 Standard Details of Sewer Construction  
 Dr. R.N. Ch. J.C.K. April 1985 Sheet 29



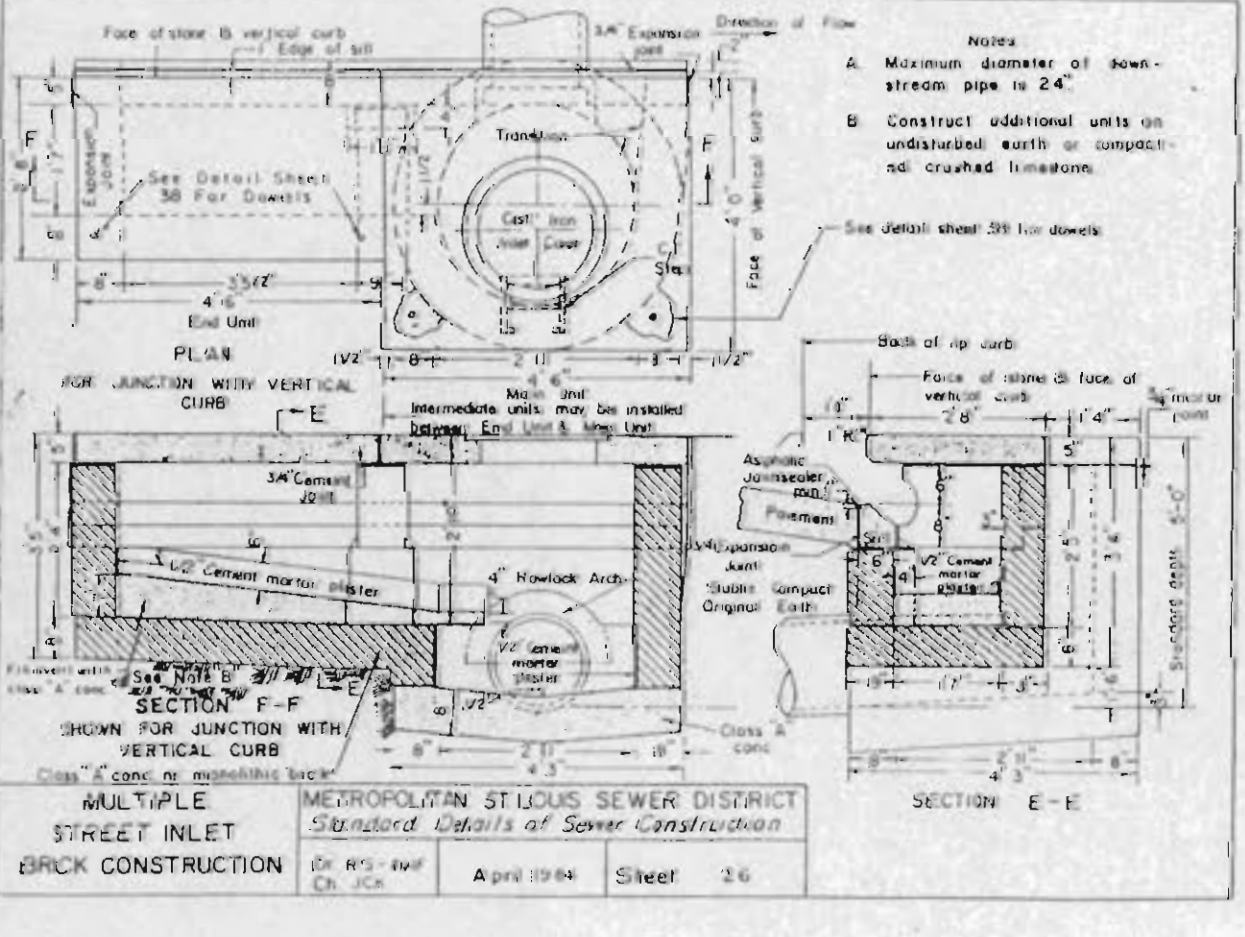
PRE-CAST CONCRETE UNIT FOR DOUBLE CURB INLET (WITH BRICK BASE)  
 METROPOLITAN ST. LOUIS SEWER DISTRICT  
 Standard Details of Sewer Construction  
 Dr. R.N. Ch. J.C.K. April 1979 Sheet 30



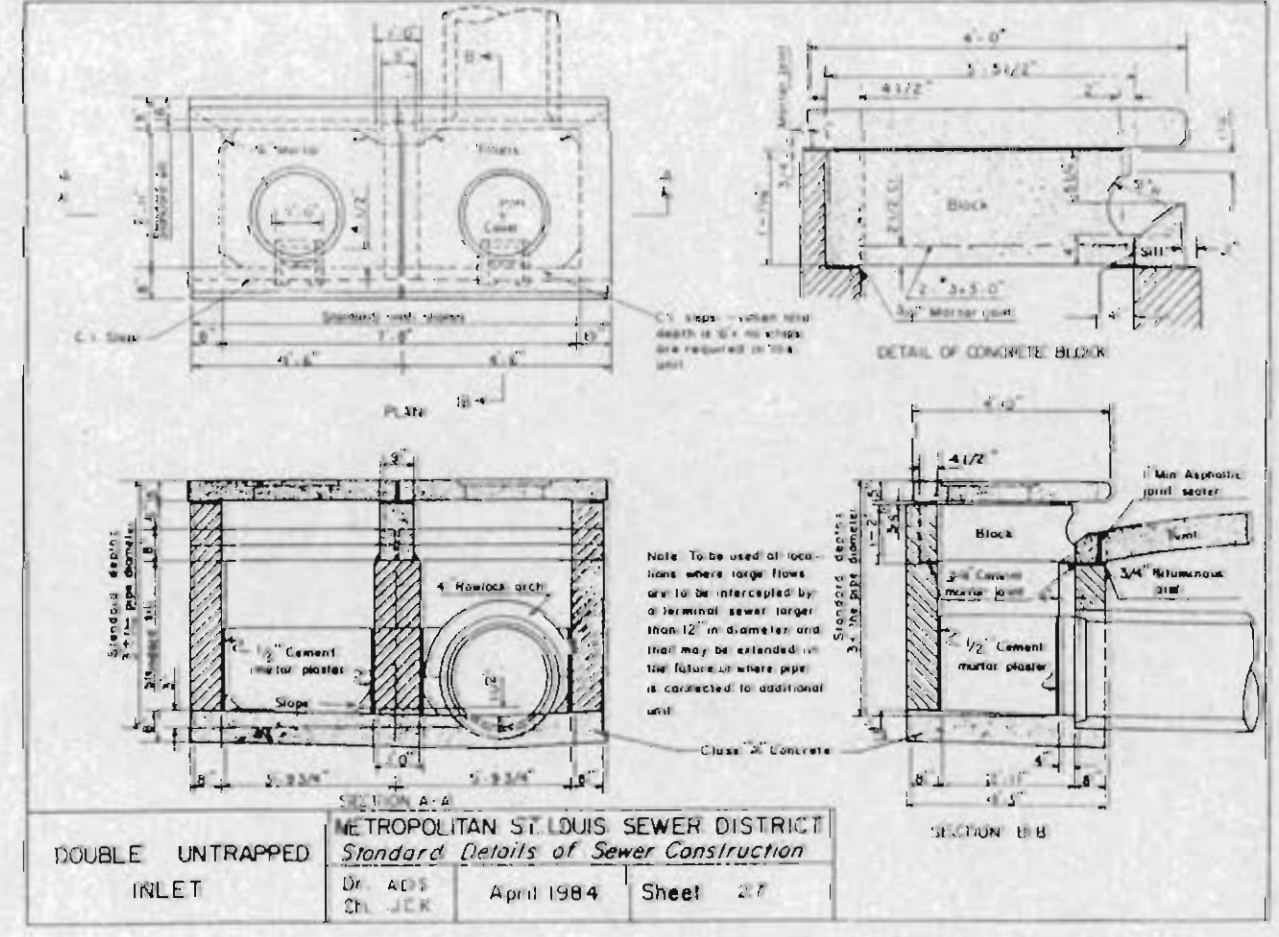
DOUBLE AREA INLET OPEN 4 SIDES  
 METROPOLITAN ST. LOUIS SEWER DISTRICT  
 Standard Details of Sewer Construction  
 Dr. R.N. Ch. J.C.K. April 1985 Sheet 31



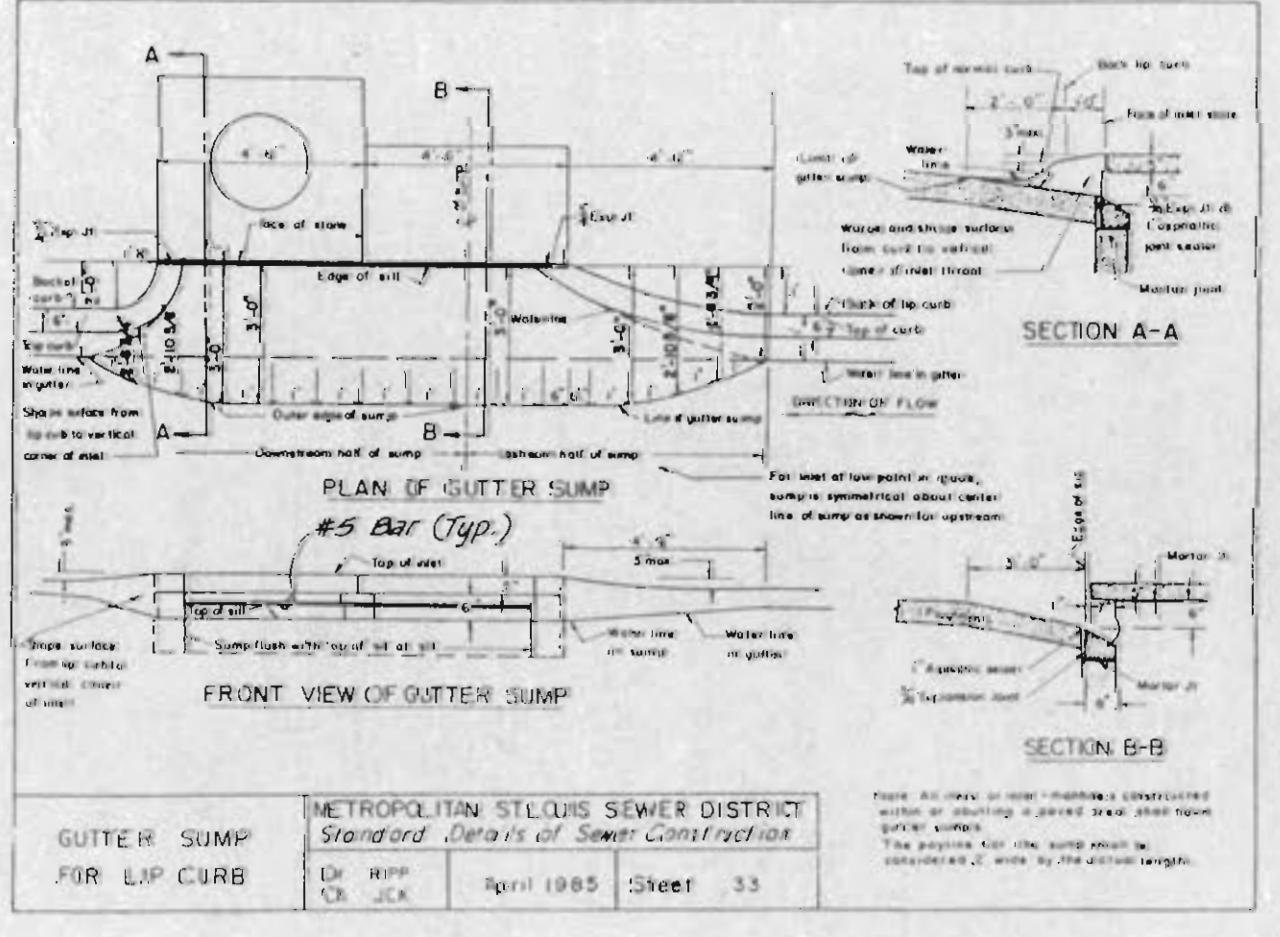
GUTTER SUMPS FOR VERTICAL CURB  
 METROPOLITAN ST. LOUIS SEWER DISTRICT  
 Standard Details of Sewer Construction  
 Dr. R.P.P. Dr. J.M.S. MAY 1985 Sheet 32



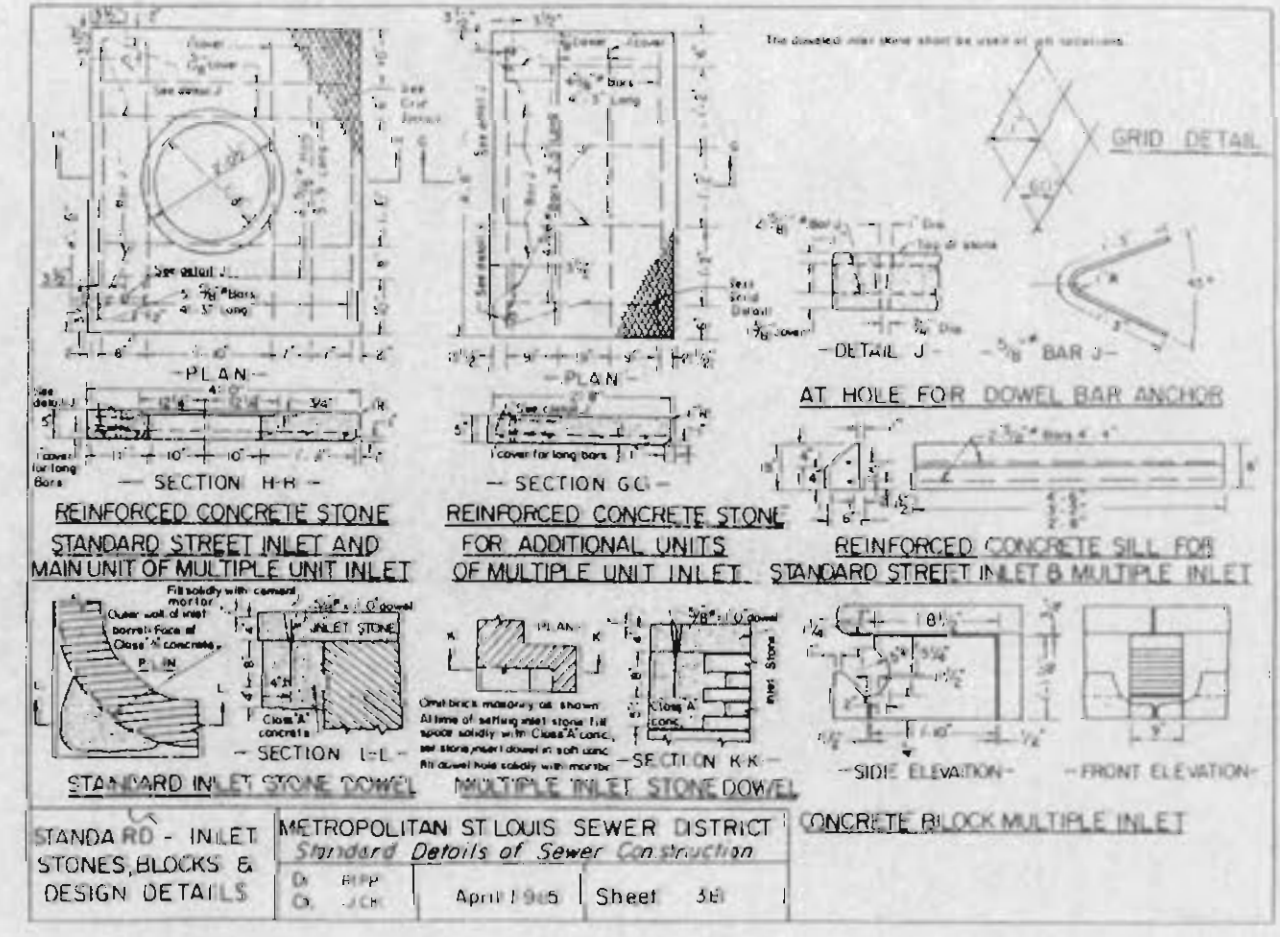
MULTIPLE STREET INLET BRICK CONSTRUCTION  
 METROPOLITAN ST. LOUIS SEWER DISTRICT  
 Standard Details of Sewer Construction  
 Dr. R.P.P. April 1984 Sheet 26



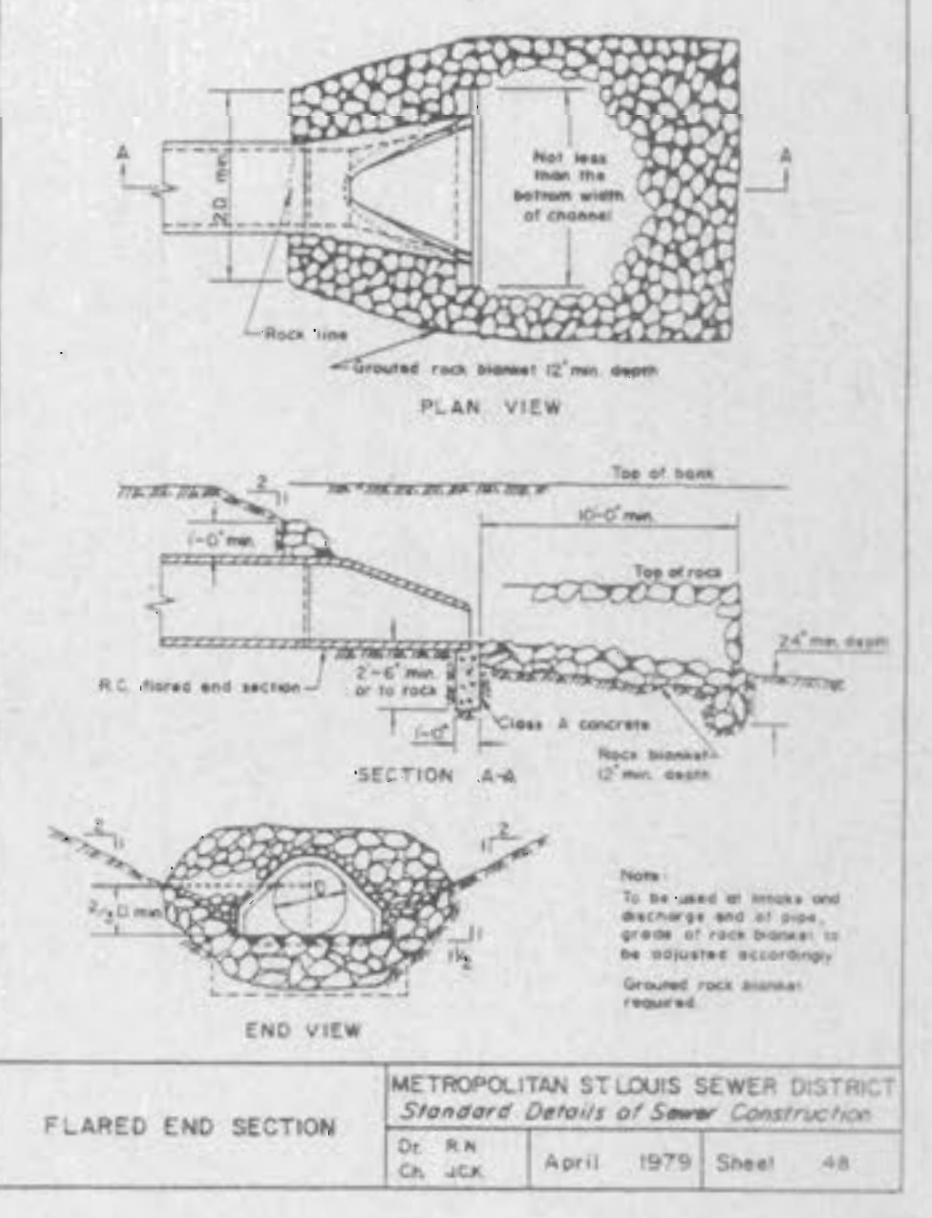
DOUBLE UNTRAPPED INLET  
 METROPOLITAN ST. LOUIS SEWER DISTRICT  
 Standard Details of Sewer Construction  
 Dr. A.D.S. Ch. J.C.K. April 1984 Sheet 27



GUTTER SUMP FOR CURB  
 METROPOLITAN ST. LOUIS SEWER DISTRICT  
 Standard Details of Sewer Construction  
 Dr. R.P.P. Ch. J.C.K. April 1985 Sheet 33



STANDARD INLET STONE DETAILS  
 METROPOLITAN ST. LOUIS SEWER DISTRICT  
 Standard Details of Sewer Construction  
 Dr. R.P.P. Ch. J.C.K. April 1985 Sheet 34



FLARED END SECTION  
 METROPOLITAN ST. LOUIS SEWER DISTRICT  
 Standard Details of Sewer Construction  
 Dr. R.N. Ch. J.C.K. April 1979 Sheet 48

NOTE: Add #5 Bar to throat of all inlets.