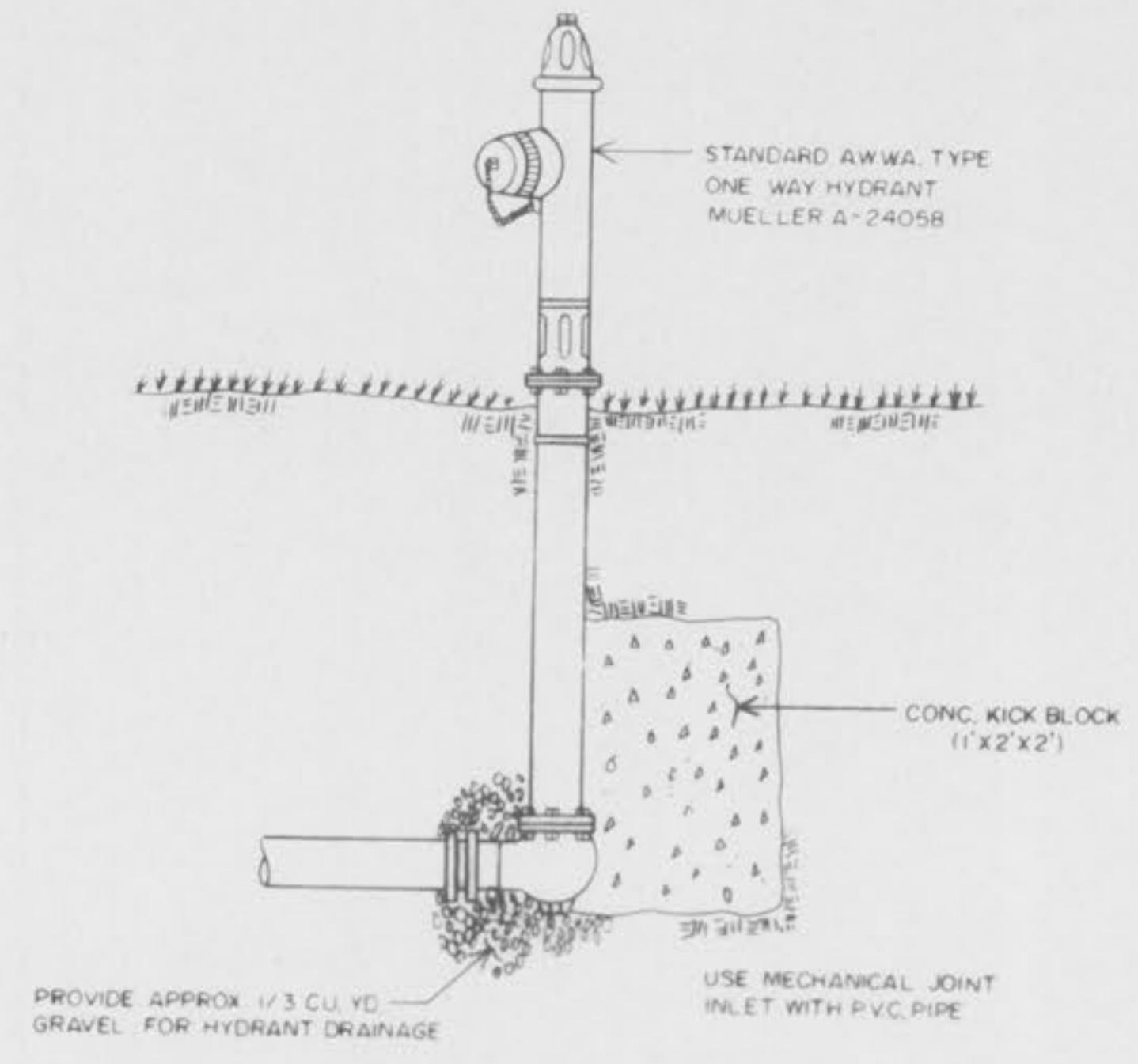
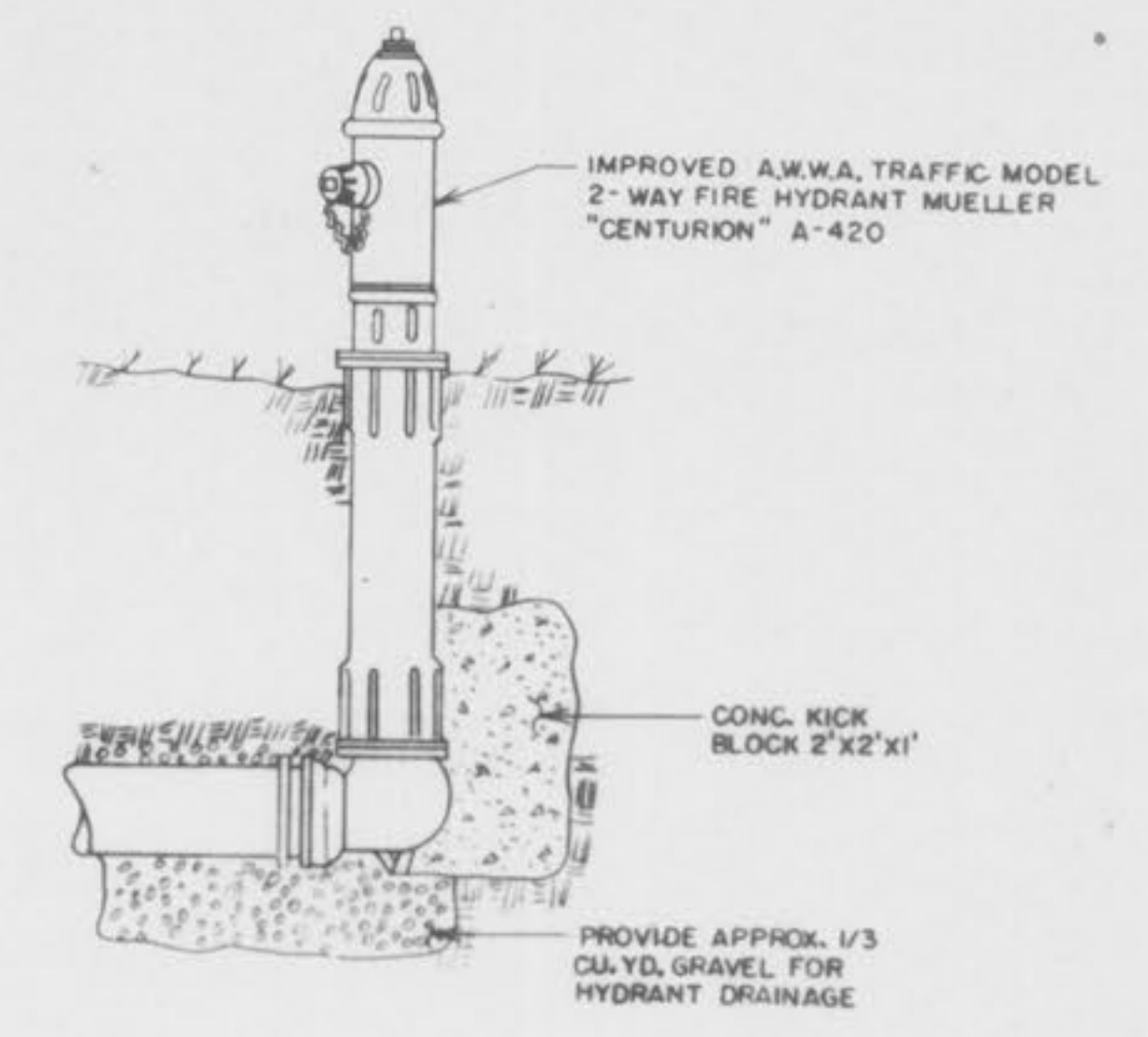


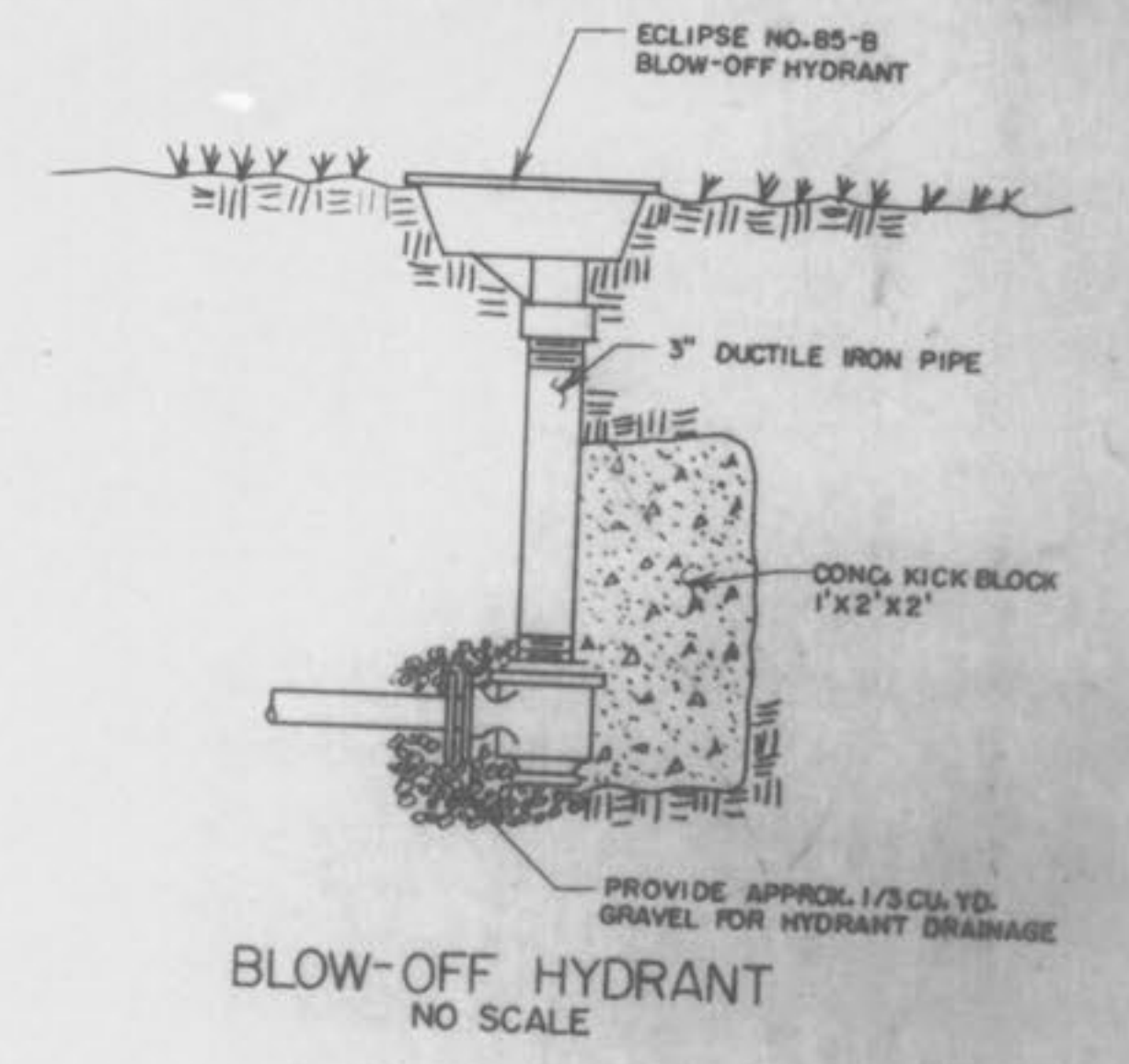
FIRE HYDRANT INSTALLATION DETAIL  
 NO SCALE



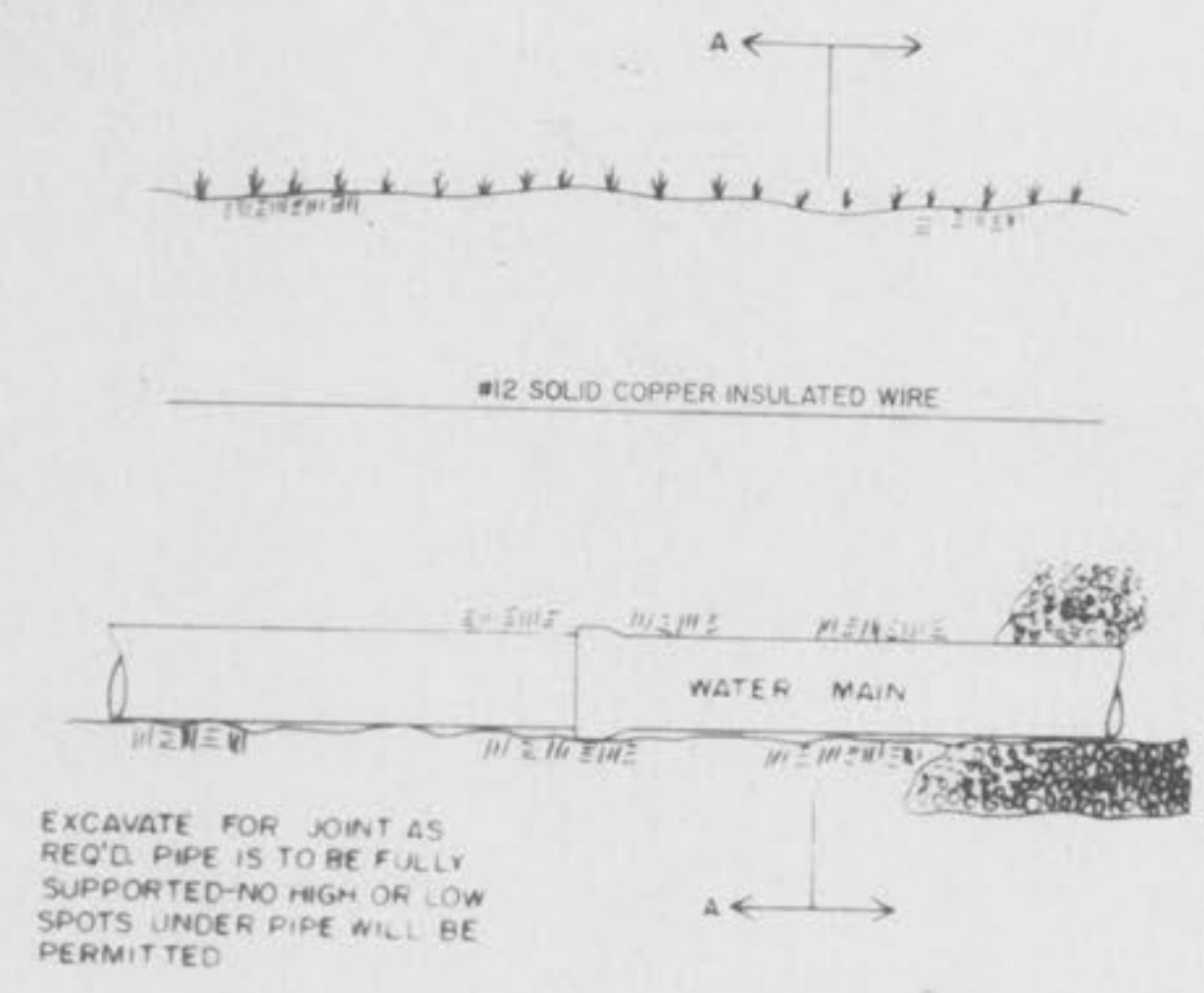
FLUSHING HYDRANT  
 NO SCALE



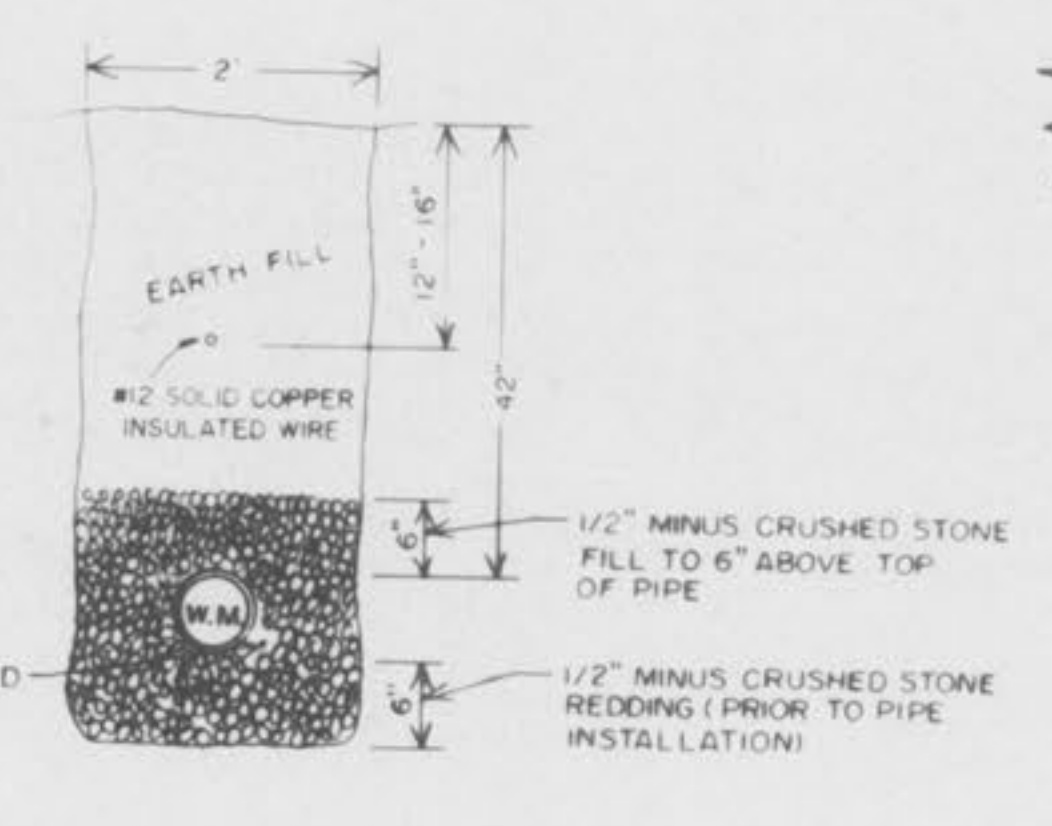
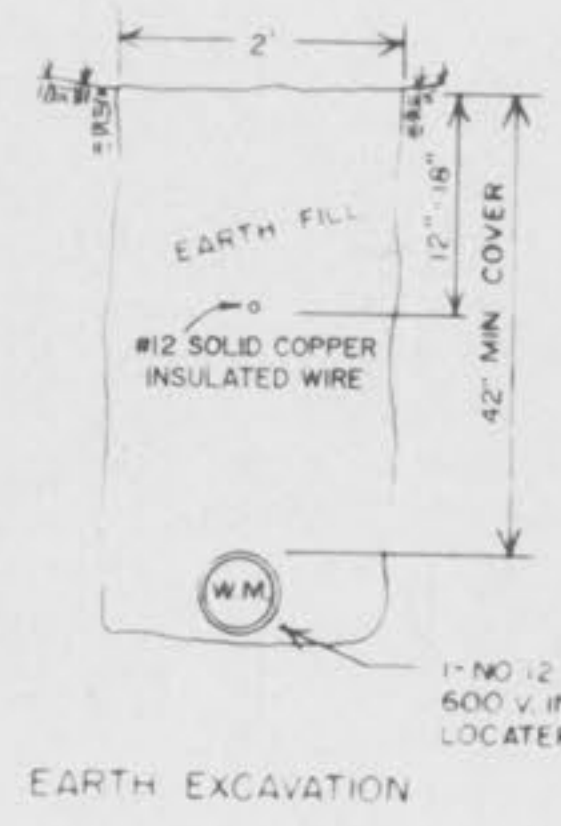
FIRE HYDRANT INSTALLATION DETAIL  
 NO SCALE



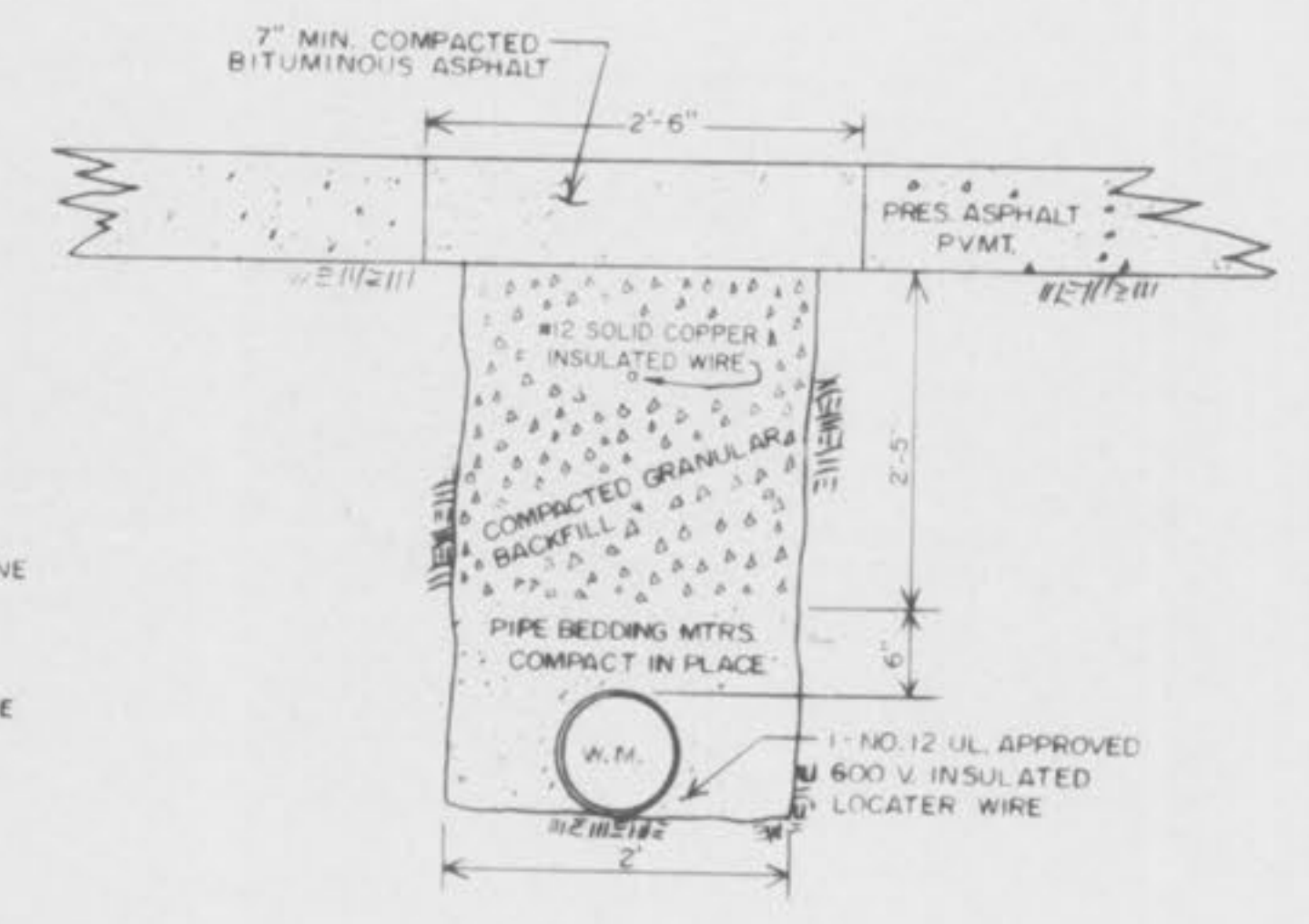
BLOW-OFF HYDRANT  
 NO SCALE



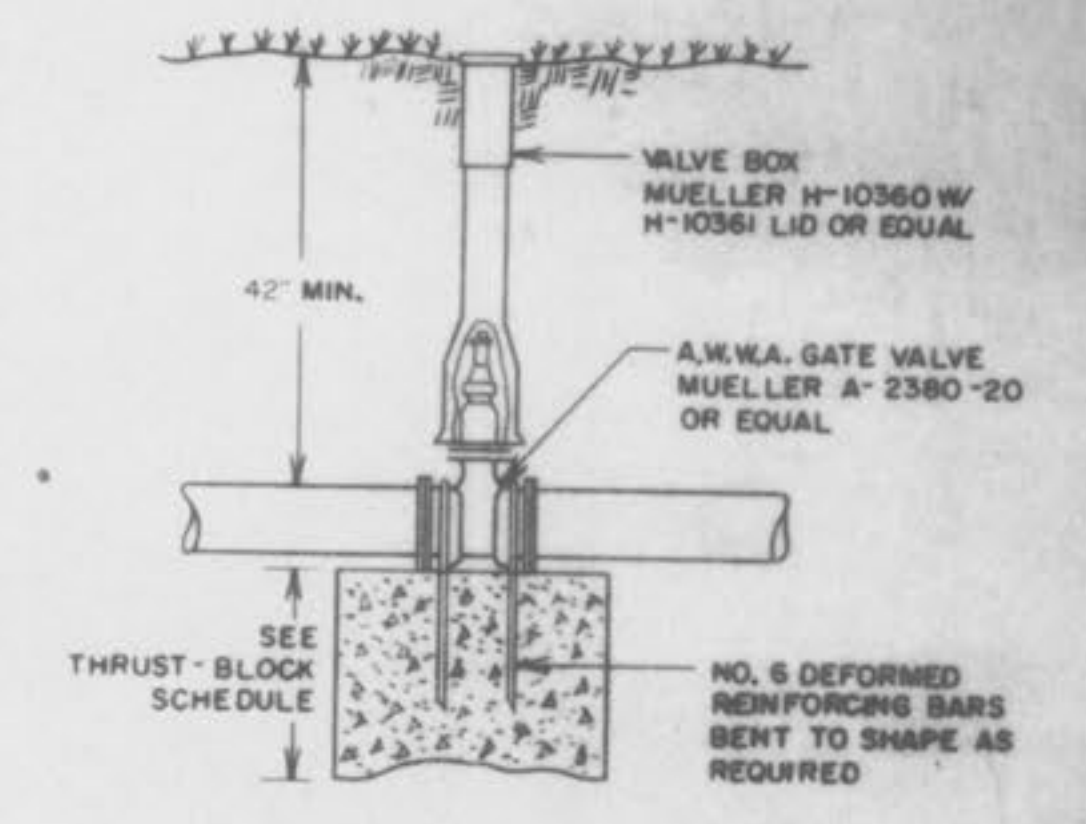
TYPICAL WATER MAIN TRENCHING DETAIL  
 NO SCALE



EXCAVATION THROUGH SOLID ROCK



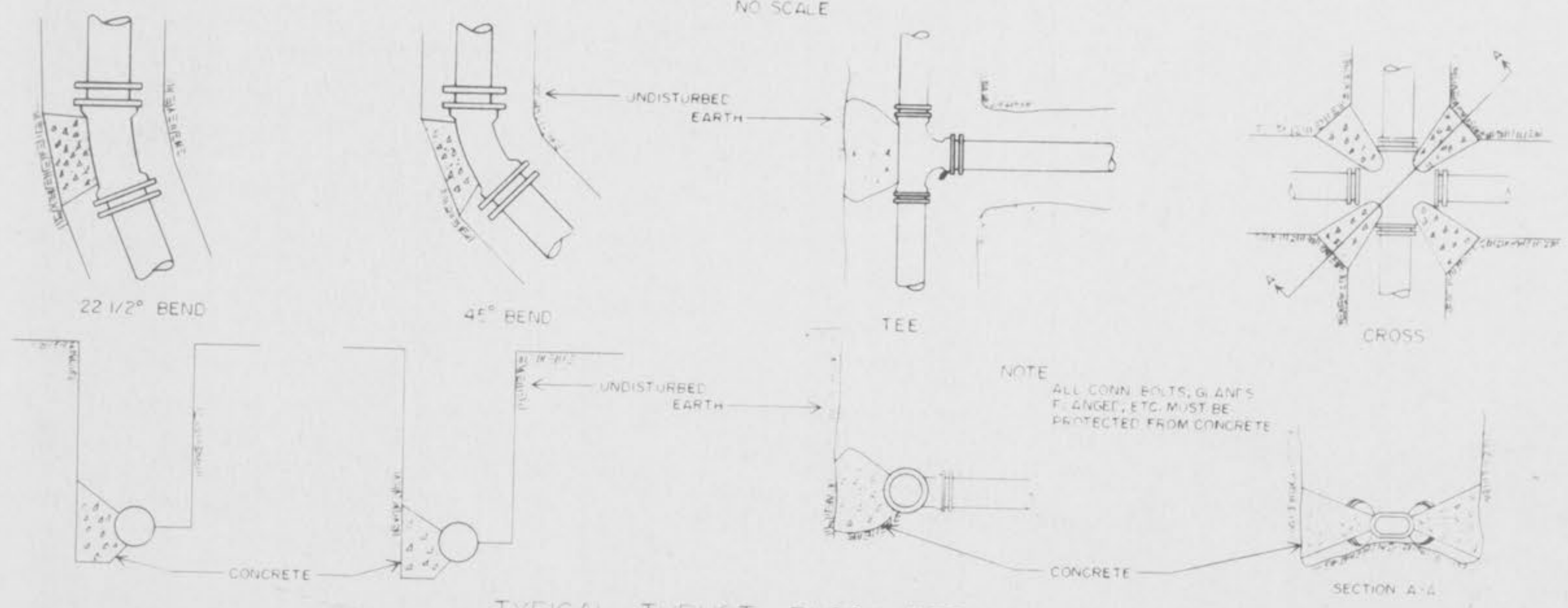
TYPICAL PAVED STREET OR ROAD TRENCH BACKFILL & SURFACE REPLACEMENT DETAIL  
 SCALE: 1" = 1'-0"



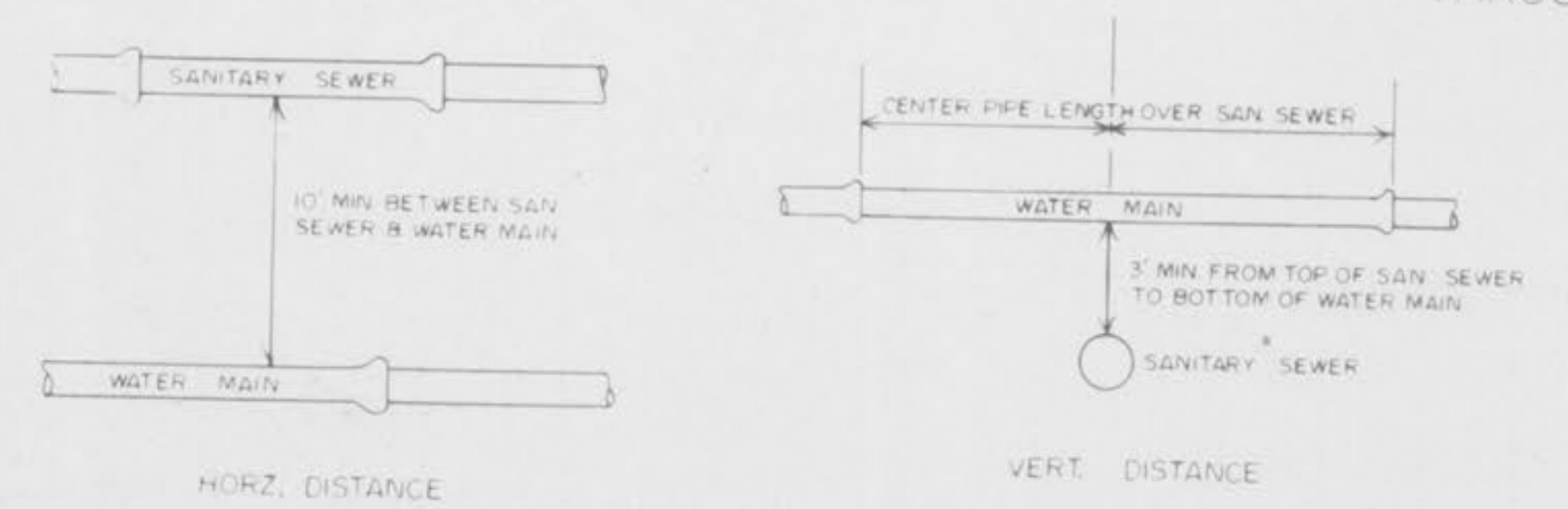
GATE VALVE W/ THRUST-BLOCK DETAIL  
 NO SCALE

MAIN SIZE	MIN. THRUSTBLOCK BEARING DIMENSIONS TO BEAR AGAINST UNDISTURBED EARTH				
	45° BEND	22 1/2° BEND	TEE	VALVE	CROSS
2"	.5'x1'	.5'x1'	.5'x1'	.5'x1'	.5'x1'
4"	1'x1'	1'x1'	2'x1'	2'x1'	1'x1'
6"	1.5'x1'	1'x1'	2'x1'	2'x1'	1'x1'
8"	2'x1'	1'x1'	2'x2.5'	2'x2'	1'x1.5'
10"	2'x2.5'	1.5'x2'	2'x3.5'	2'x3'	2'x2'

THRUST-BLOCK SCHEDULE



TYPICAL THRUST-BLOCK DETAIL



TYPICAL WATER & SEWER SEPARATION  
 NO SCALE