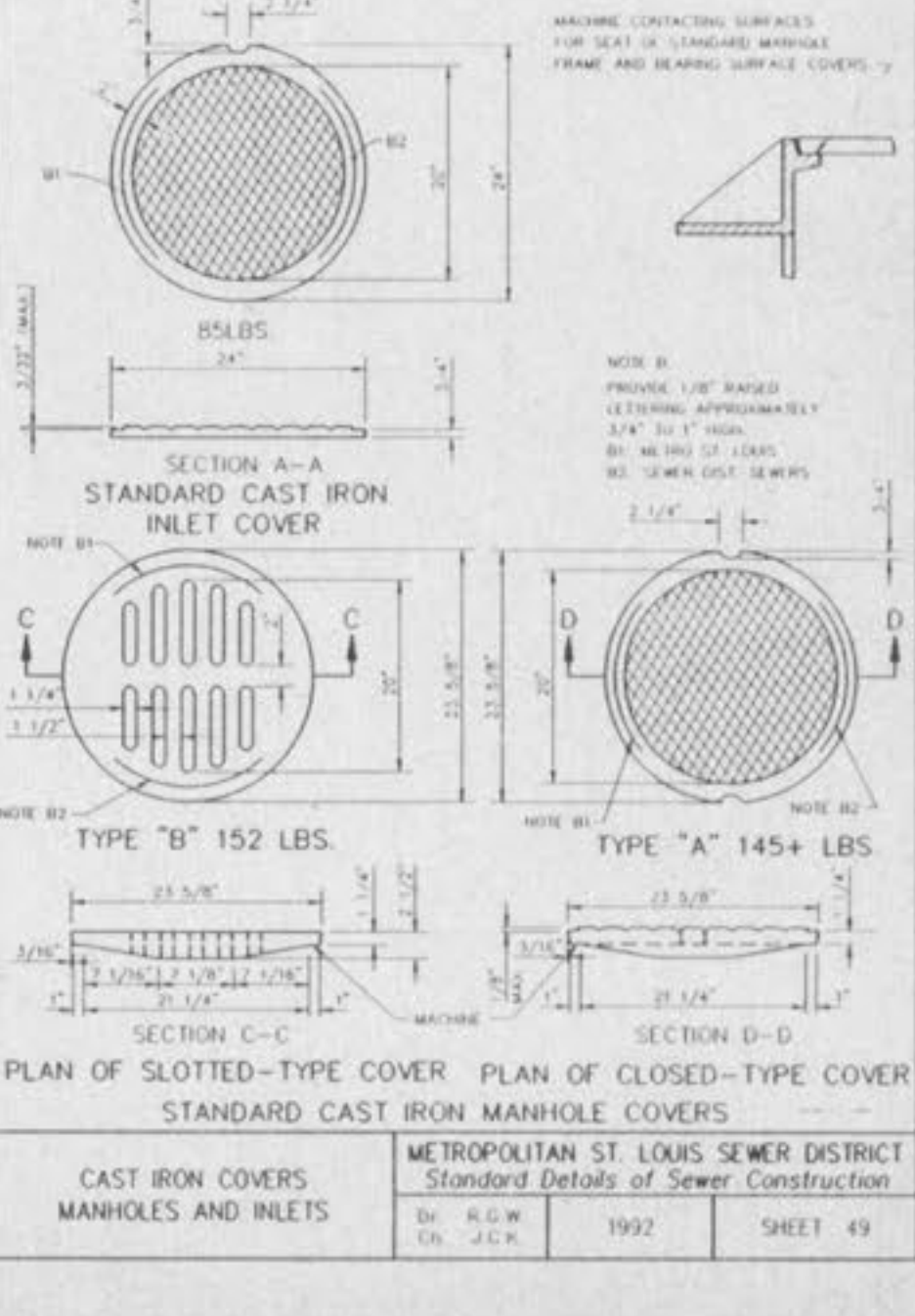
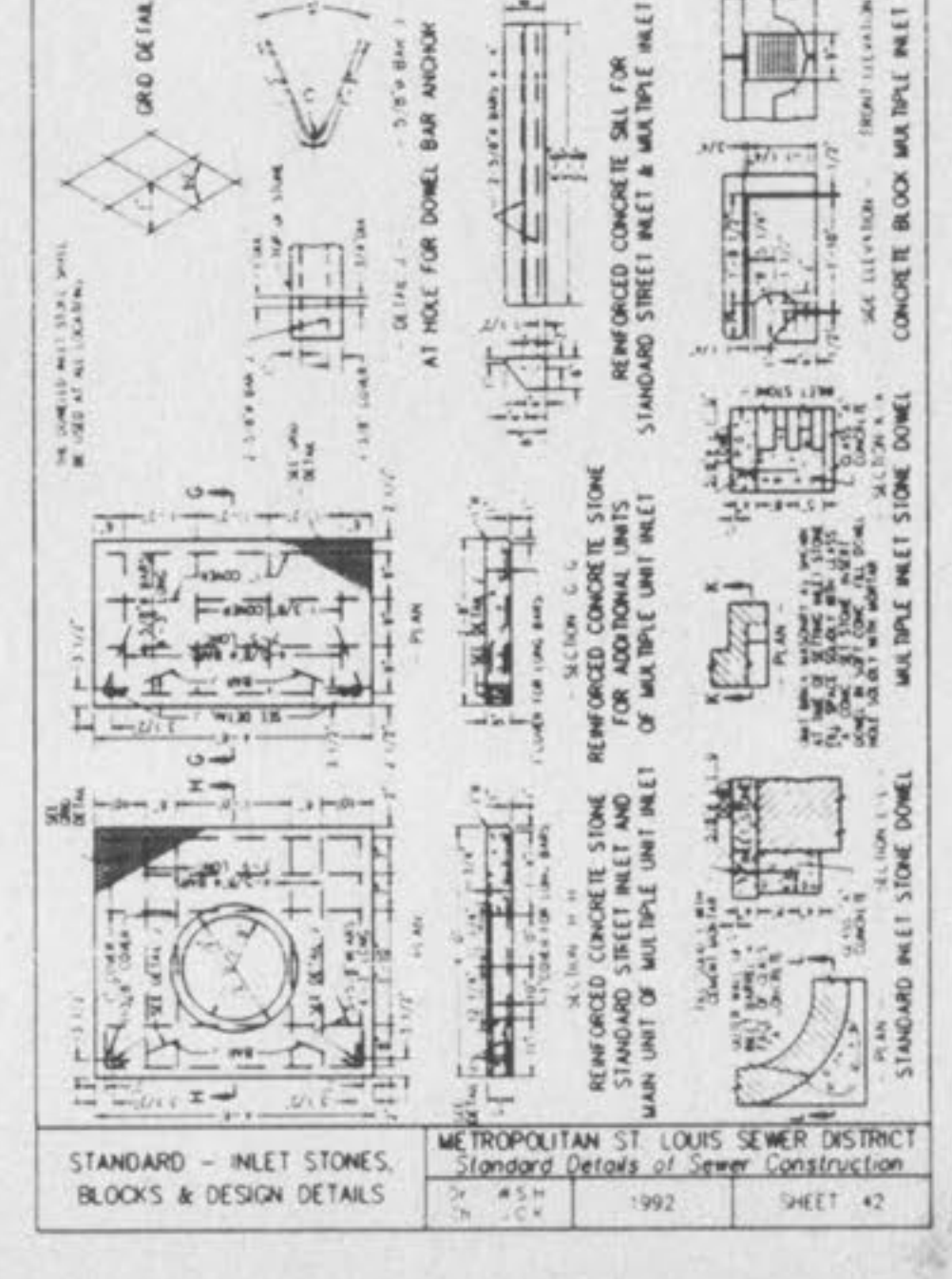
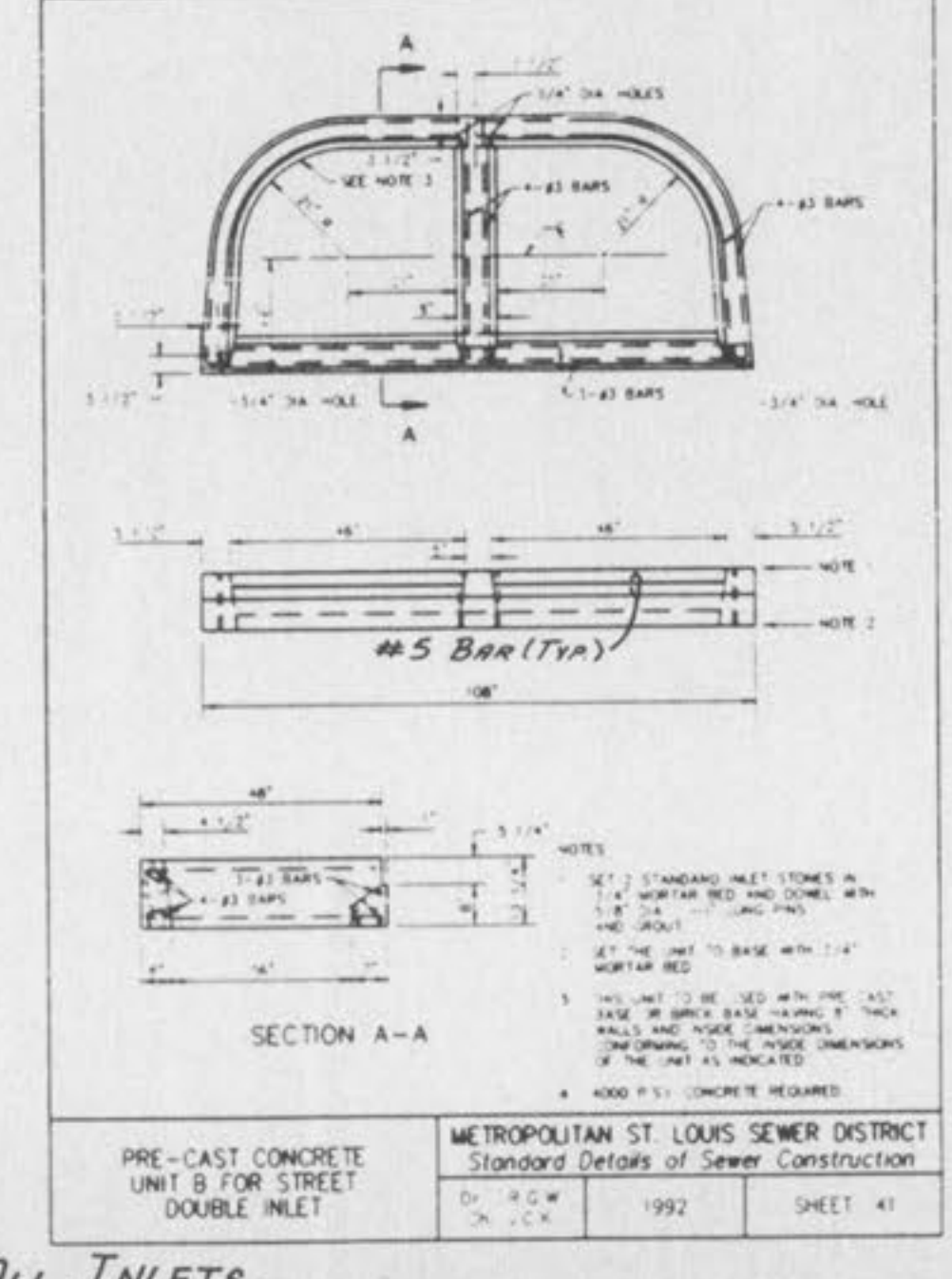
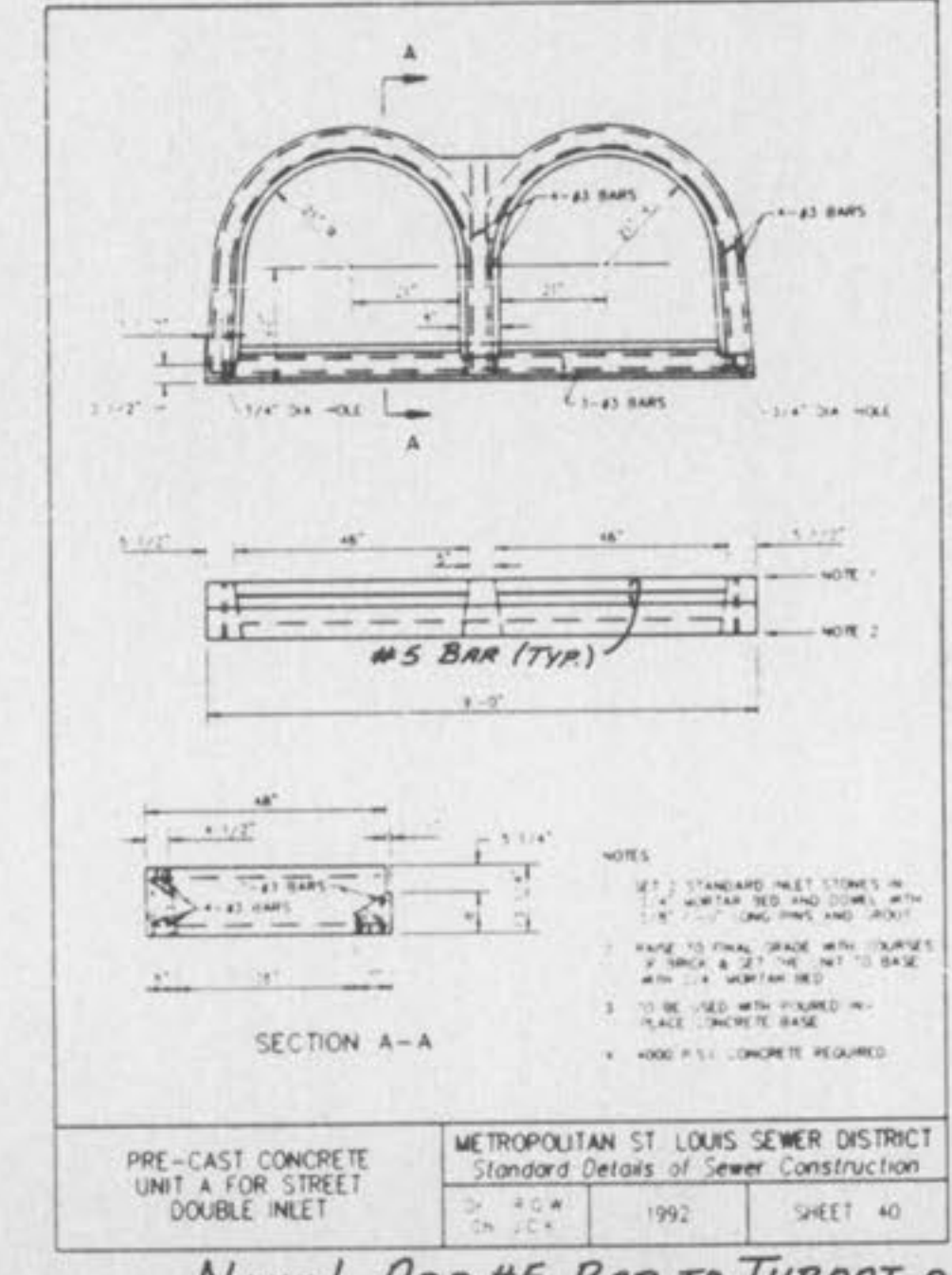
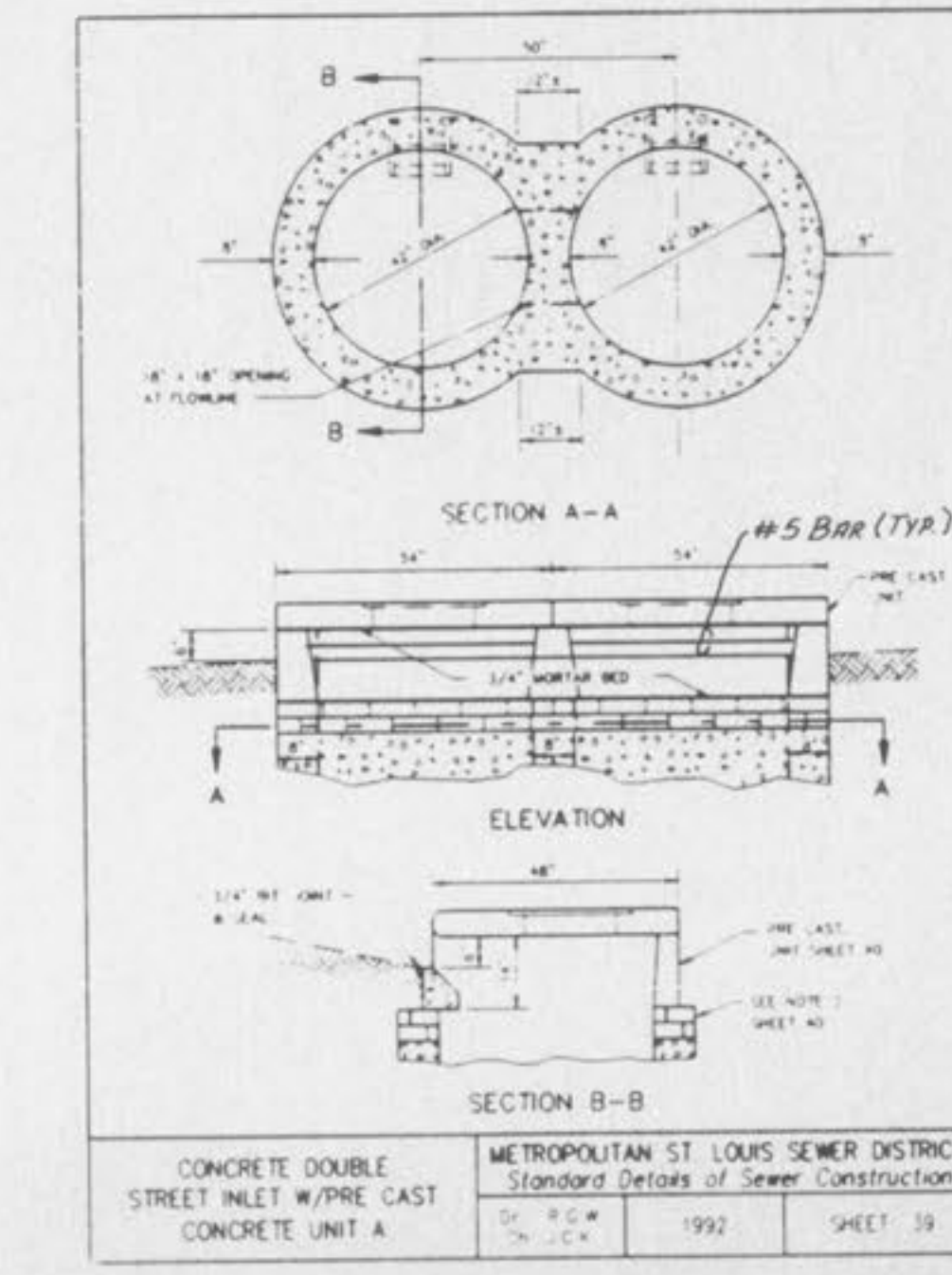
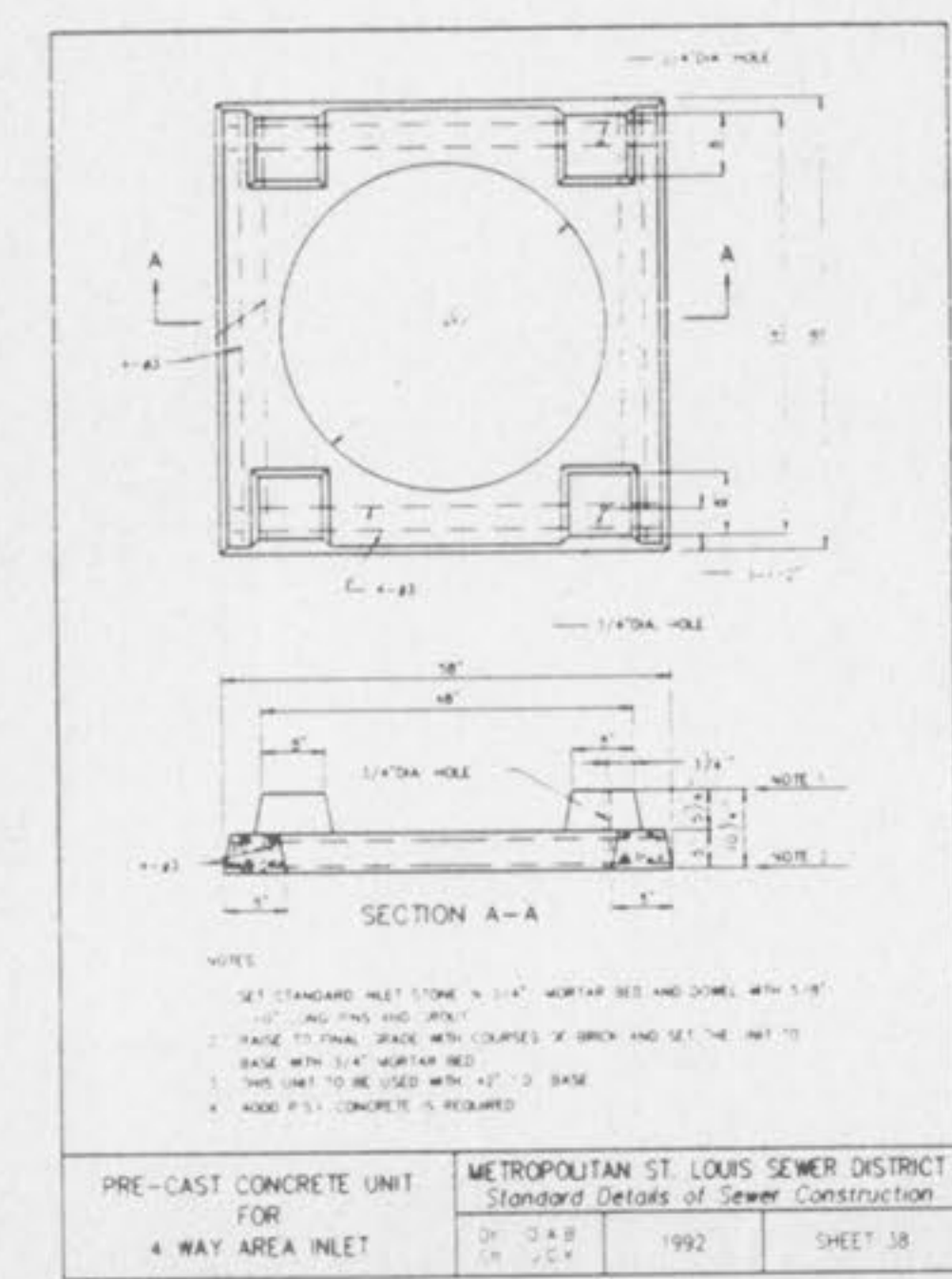
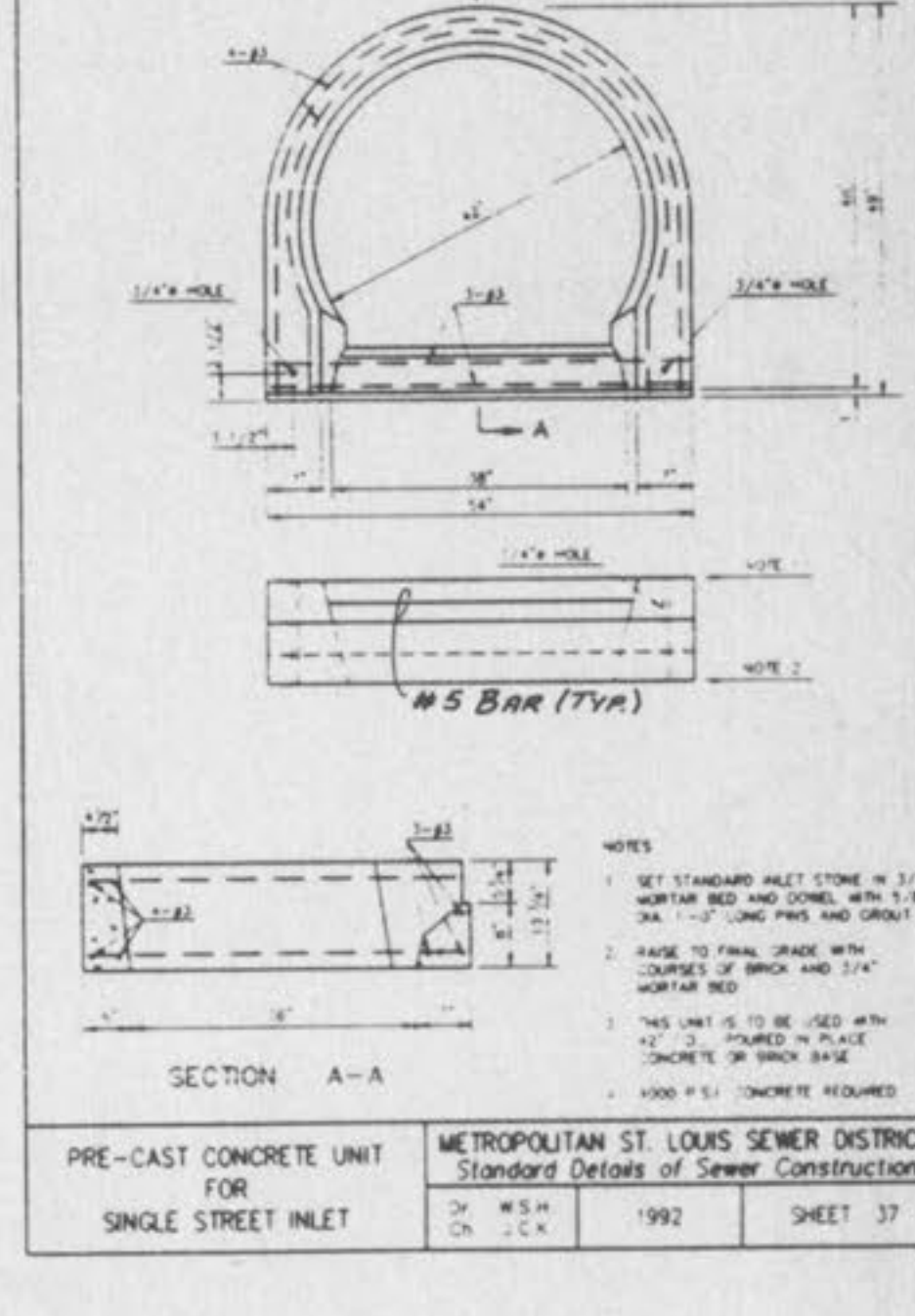
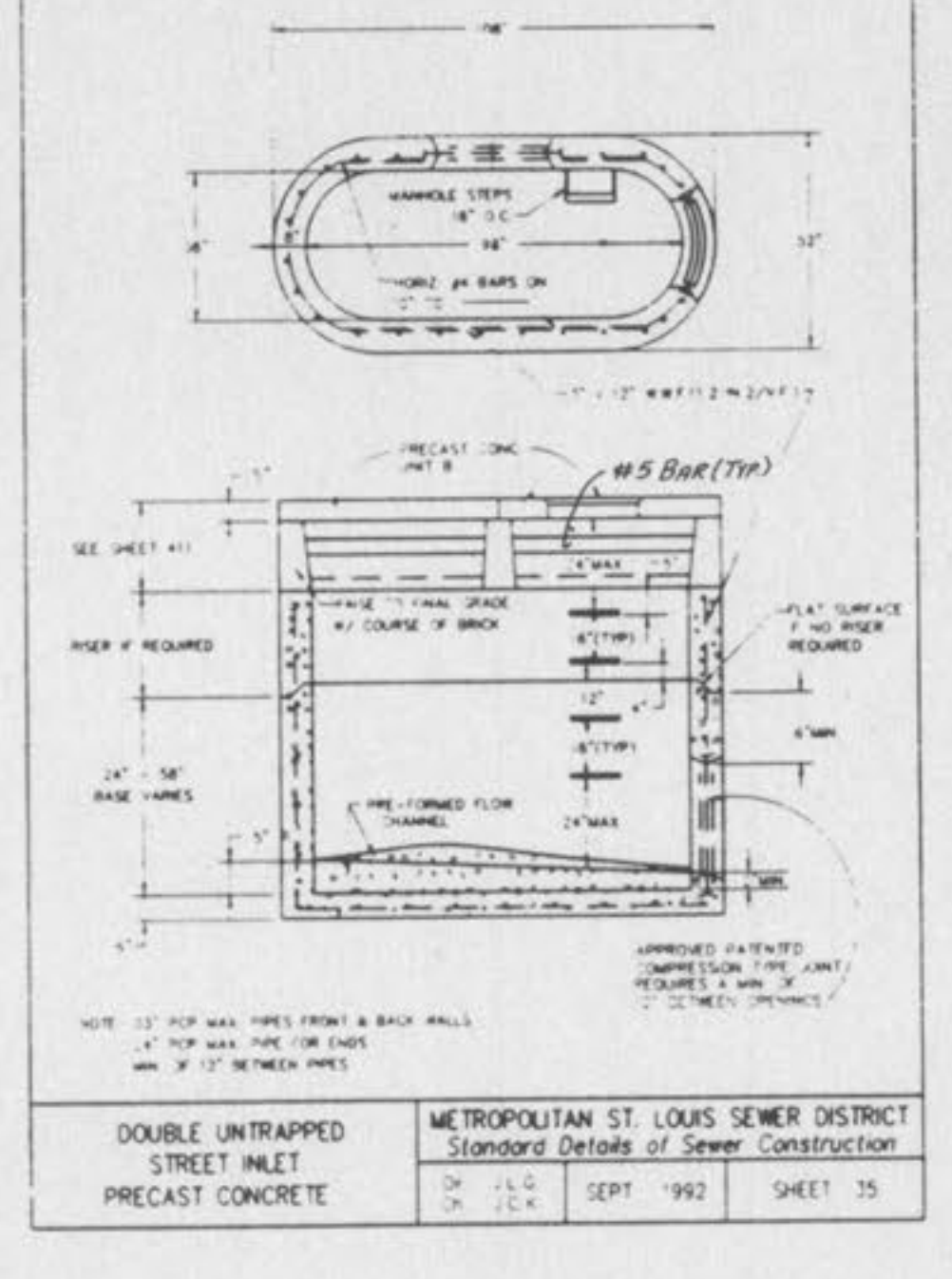
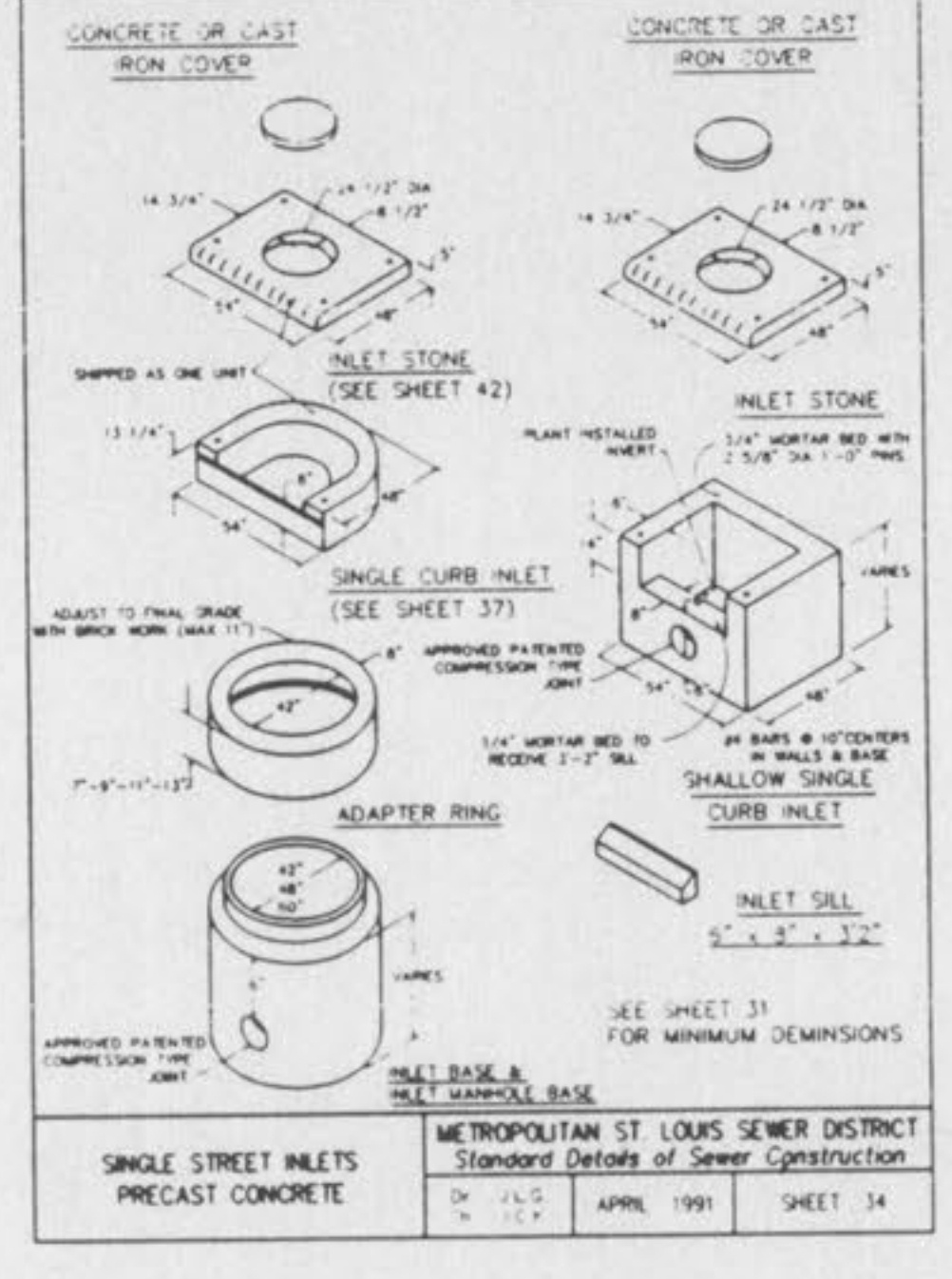
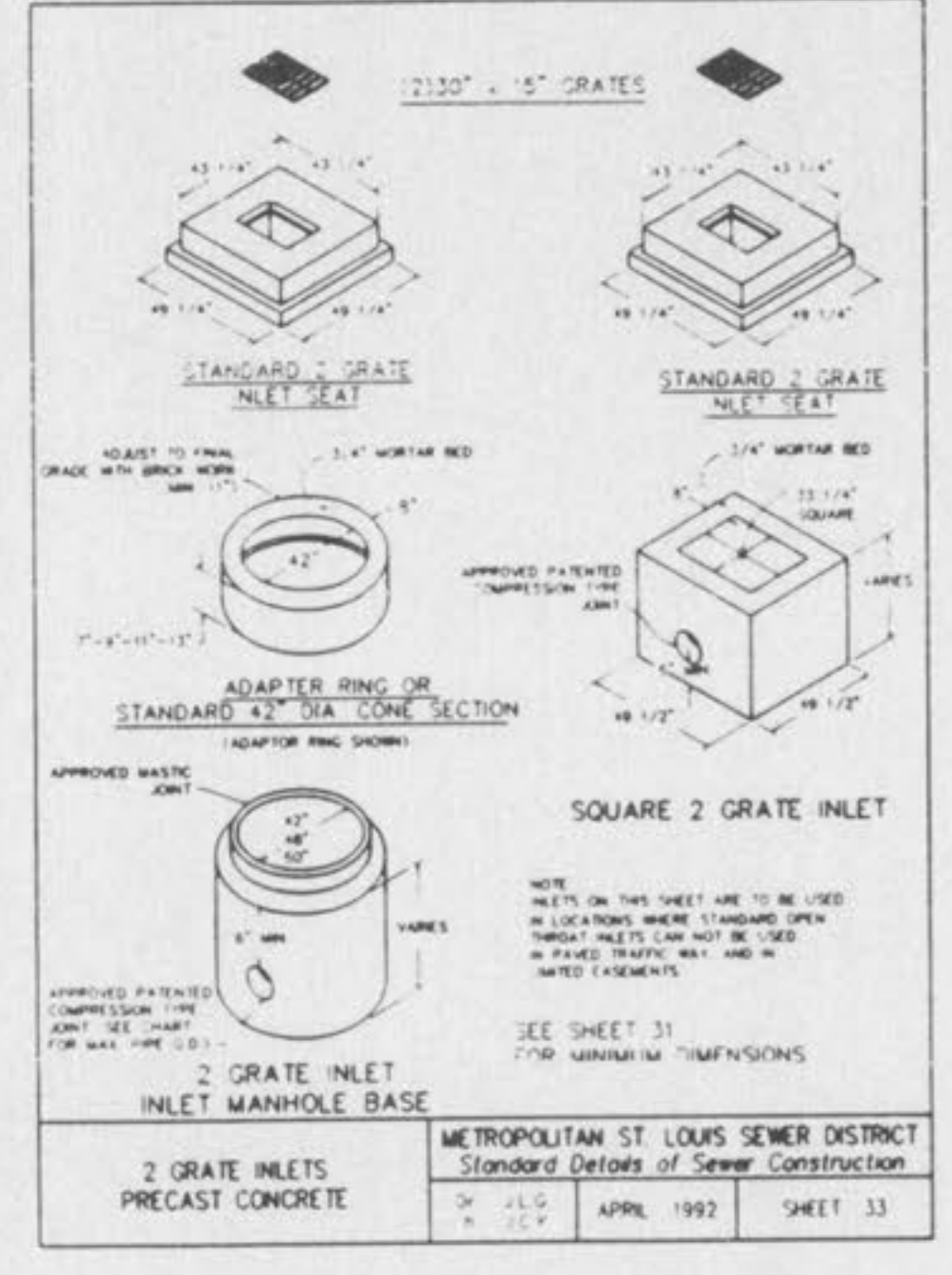
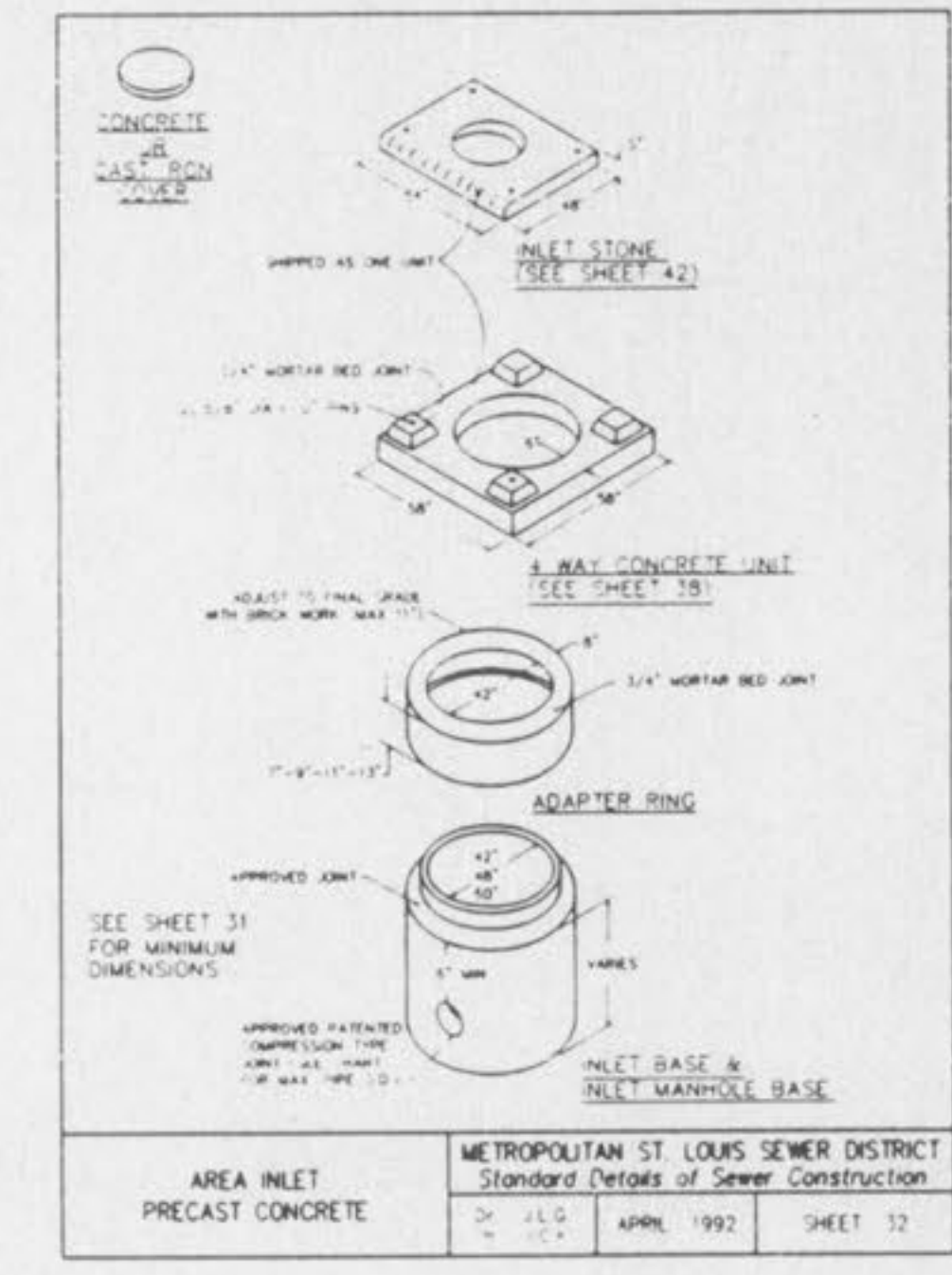


PRECAST CONCRETE STORMWATER STRUCTURES
MINIMUM DISTANCE FLOWLINE TO TOP OF STONE OR GRATE

PIPE ID	AREA INLET	STANDARD 28 GALLON	STANDARD 42 GALLON	STANDARD 54 GALLON
NOTES				
1"	4"	6"	8"	10"
2"	6"	8"	10"	12"
3"	8"	10"	12"	14"
4"	10"	12"	14"	16"
5"	12"	14"	16"	18"
6"	14"	16"	18"	20"
7"	16"	18"	20"	22"
8"	18"	20"	22"	24"
9"	20"	22"	24"	26"
10"	22"	24"	26"	28"
11"	24"	26"	28"	30"
12"	26"	28"	30"	32"
13"	28"	30"	32"	34"
14"	30"	32"	34"	36"
15"	32"	34"	36"	38"
16"	34"	36"	38"	40"
17"	36"	38"	40"	42"
18"	38"	40"	42"	44"
19"	40"	42"	44"	46"
20"	42"	44"	46"	48"
21"	44"	46"	48"	50"
22"	46"	48"	50"	52"
23"	48"	50"	52"	54"
24"	50"	52"	54"	56"
25"	52"	54"	56"	58"
26"	54"	56"	58"	60"
27"	56"	58"	60"	62"
28"	58"	60"	62"	64"
29"	60"	62"	64"	66"
30"	62"	64"	66"	68"
31"	64"	66"	68"	70"
32"	66"	68"	70"	72"
33"	68"	70"	72"	74"
34"	70"	72"	74"	76"
35"	72"	74"	76"	78"
36"	74"	76"	78"	80"
37"	76"	78"	80"	82"
38"	78"	80"	82"	84"
39"	80"	82"	84"	86"
40"	82"	84"	86"	88"
41"	84"	86"	88"	90"
42"	86"	88"	90"	92"
43"	88"	90"	92"	94"
44"	90"	92"	94"	96"
45"	92"	94"	96"	98"
46"	94"	96"	98"	100"

NOTE: 1. 48" DIA. BASE REQUIRES 2" HIGH TRANSITION SECTION TO 42" DIA. SIMILAR TO ADAPTER RING SHEET 32.
2. 60" DIA. BASE REQUIRES 2" HIGH CONCENTRIC REDUCER TRANSITION TO 42" DIA. SIMILAR TO ADAPTER RING SHEET 32.

PRECAST CONCRETE STORMWATER STRUCTURES
METROPOLITAN ST. LOUIS SEWER DISTRICT
Standard Details of Sewer Construction
D: J.L.G. / R.C.K. / SEPT 1990 / SHEET 31



NOTE! ADD #5 BAR TO THROAT OF ALL INLETS.