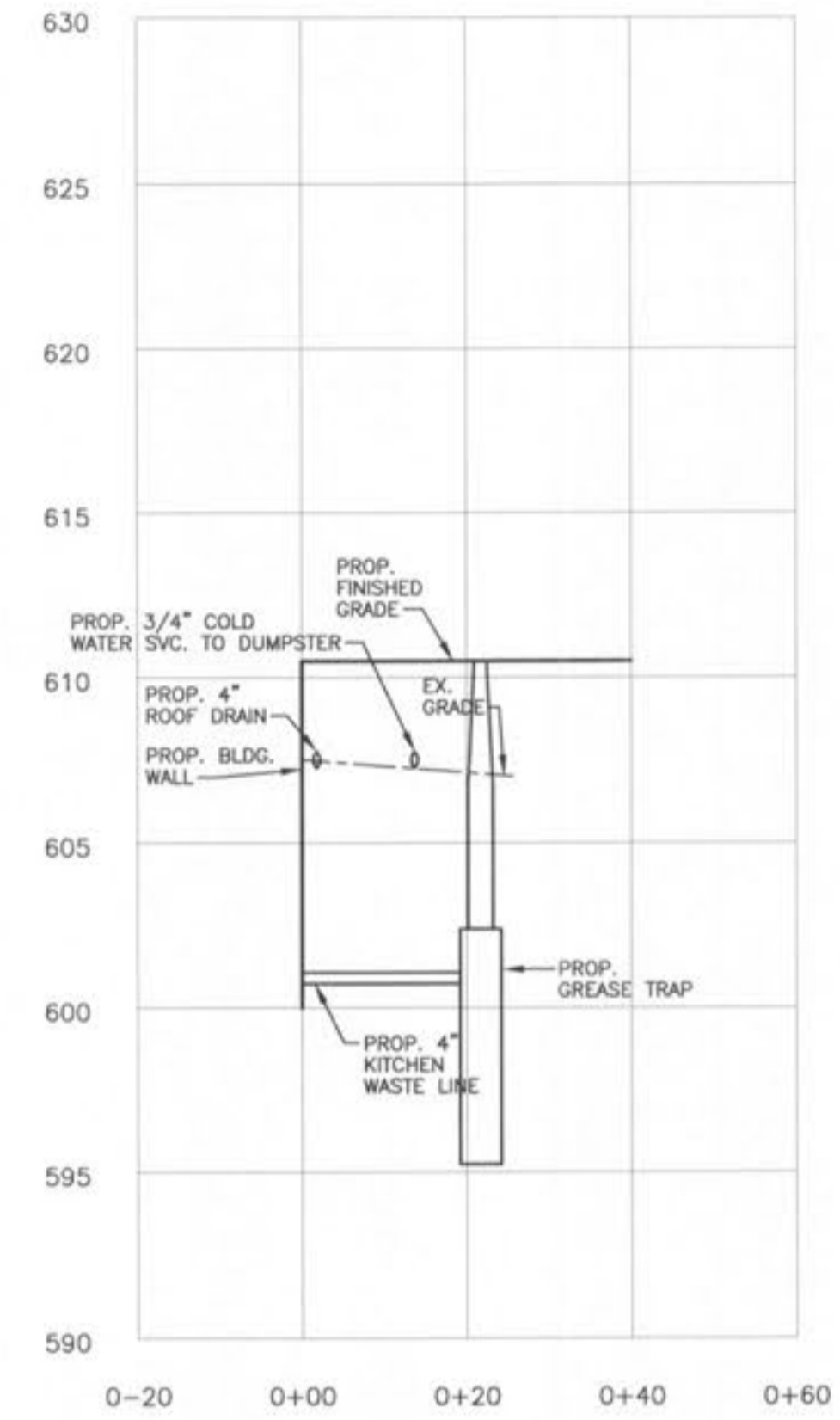
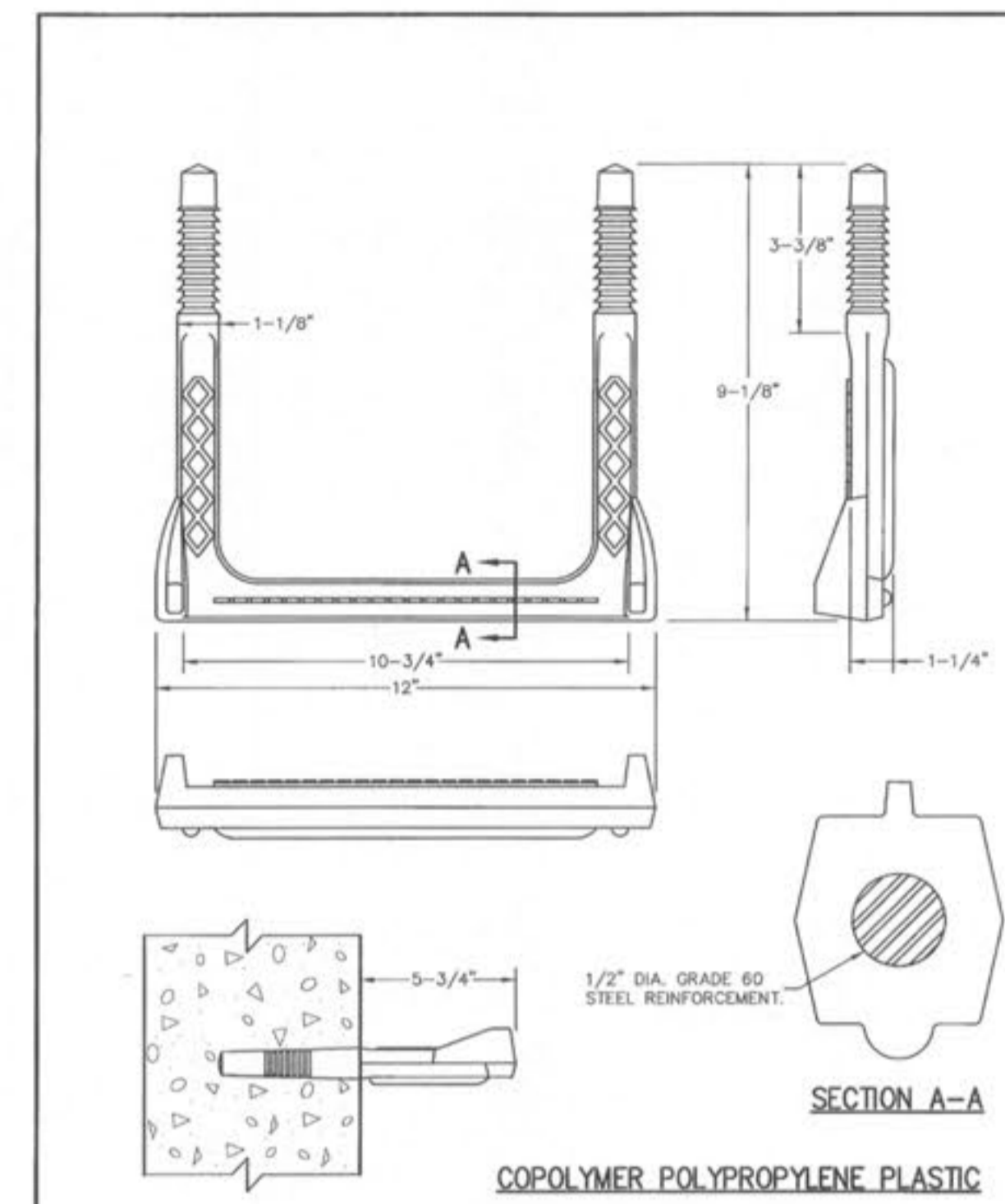


PRIVATE SANITARY LATERAL PROFILE

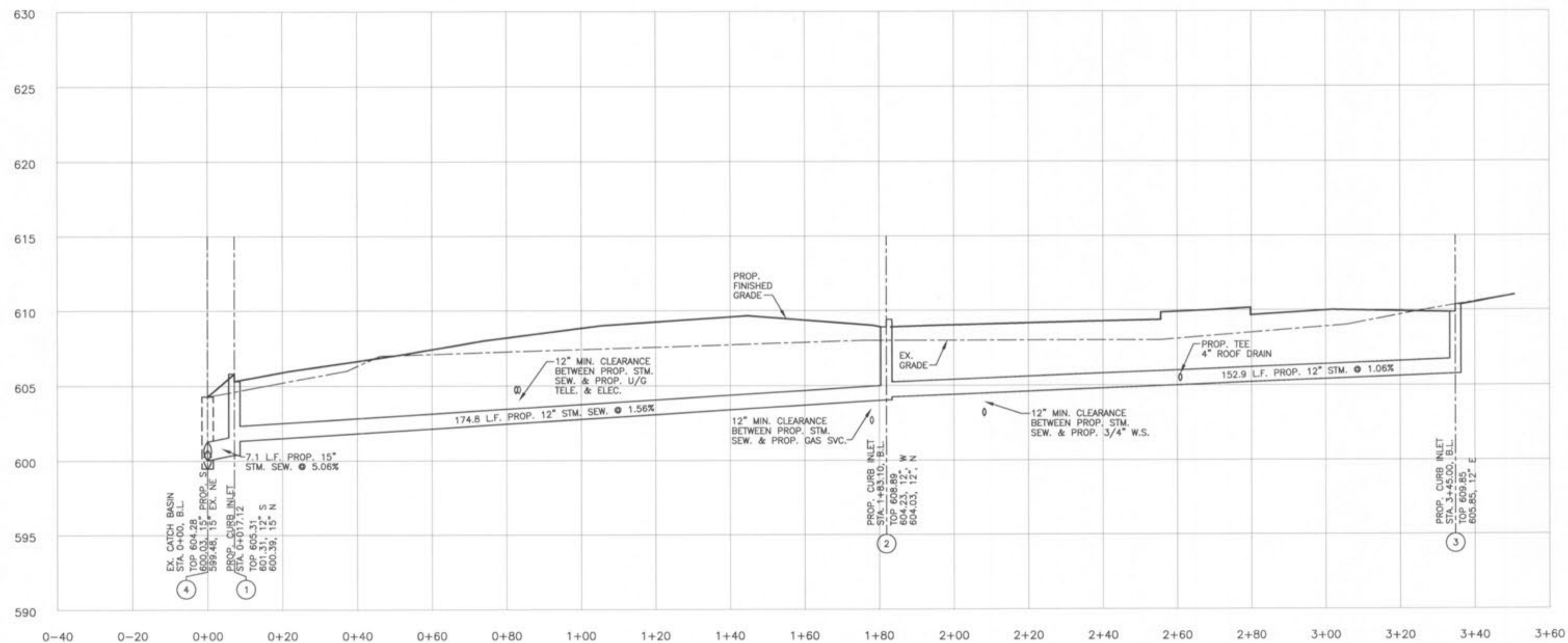


PRIVATE SANITARY LATERAL PROFILE

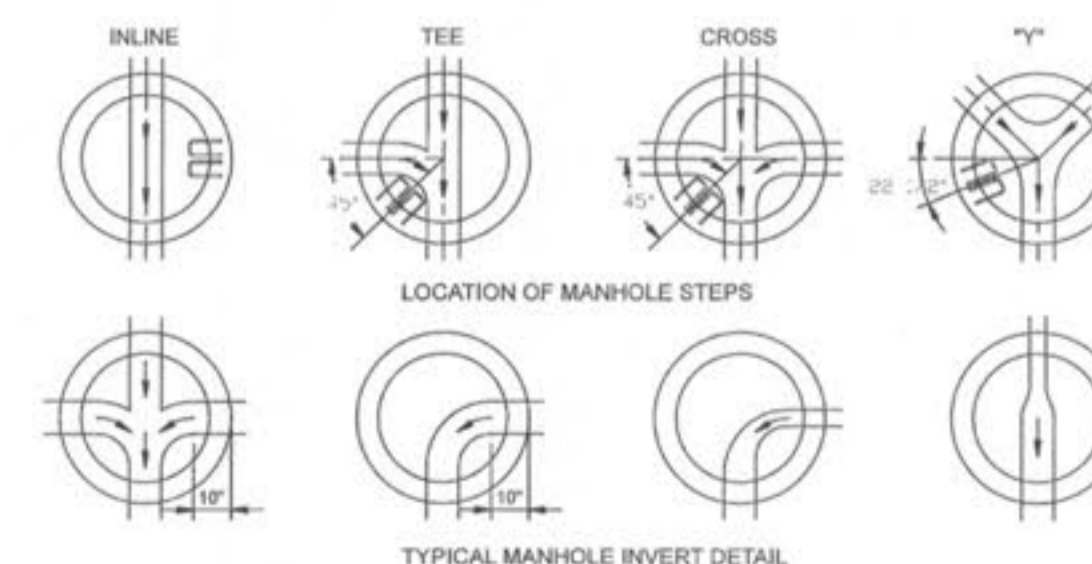


MANHOLE STEP FOR PRECAST & CAST-IN-PLACE MANHOLE

METROPOLITAN ST. LOUIS SEWER DISTRICT Standard Details of Sewer Construction		
Dr. D.A.B. Ch. J.C.K.	2009	SHEET 58



PRIVATE STORM SEWER PROFILE



MANHOLE INVERT MINIMUM DROPS
 1/2" MINIMUM DROP ACROSS MANHOLE FOR INLINE MANHOLE INVERTS.
 2/10" MINIMUM DROP FROM INLET TO OUTLET IF 90° OR LESS APART.
 MAINTAIN FLOWLINE THROUGH MANHOLES AS CLOSE AS POSSIBLE.

CHICK-FIL-A
OFALLON, MO
(#2645)

GBC DESIGN, INC.
3378 W. Market St. Akron, OH 44333-3986
Phone 330-896-0228 Fax 330-896-5782

ENGINEER SIGNATURE BLOCK
 STATE OF MISSOURI
 GARY R. ROUSE
 NUMBER 19-2007035780
 PROFESSIONAL ENGINEER
 3/21/11

CHICK-FIL-A
5200 BUFFINGTON RD.
ATLANTA, GA 30349-2998
24 HOUR EMERGENCY CONTACT:
SCOTT D. PATMAN PH-404-305-4594

STORM & SANITARY PROFILES
 P+Z No. 1810.01
 City No.
 Page No.
C-5.1

CONTACT:
GARY R. ROUSE