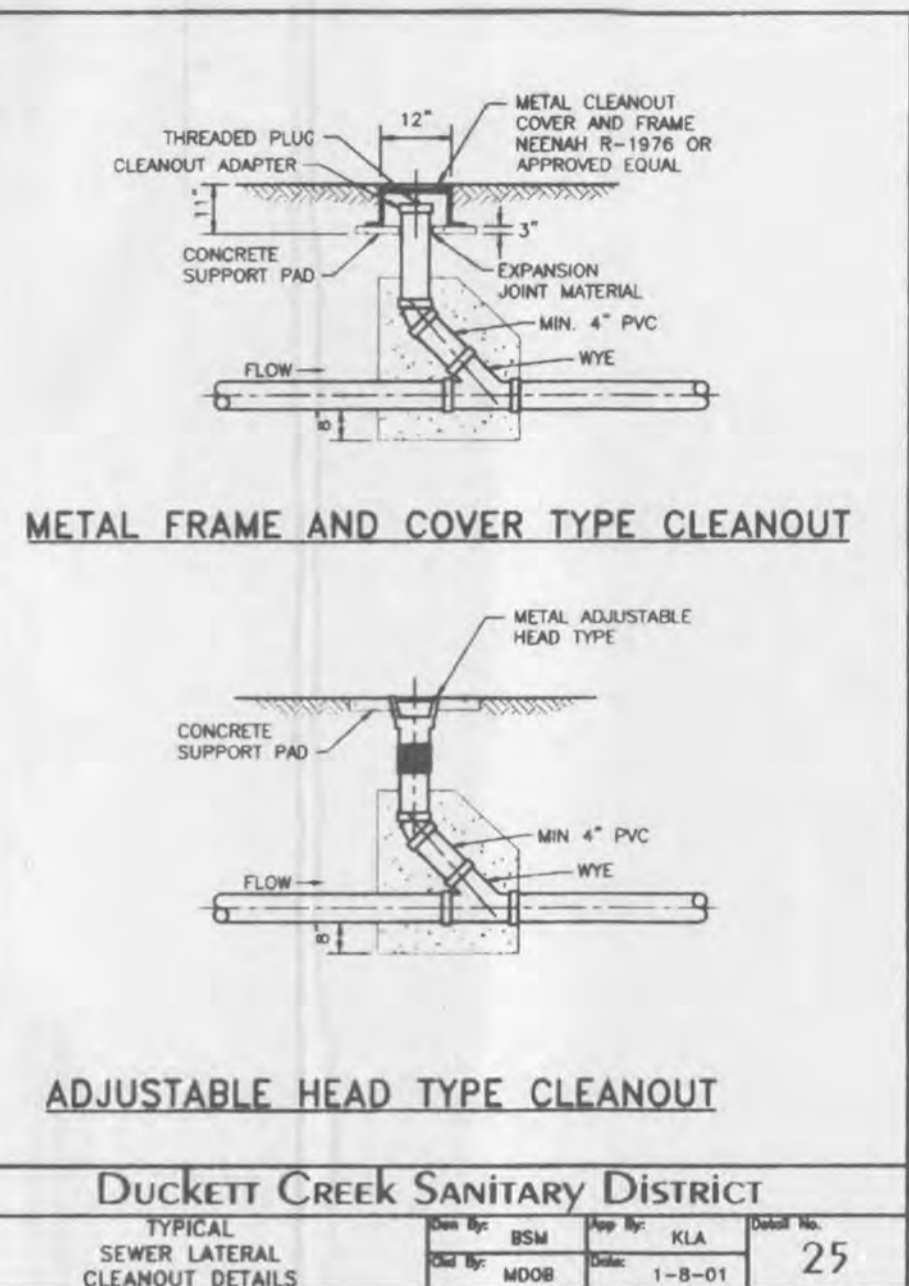
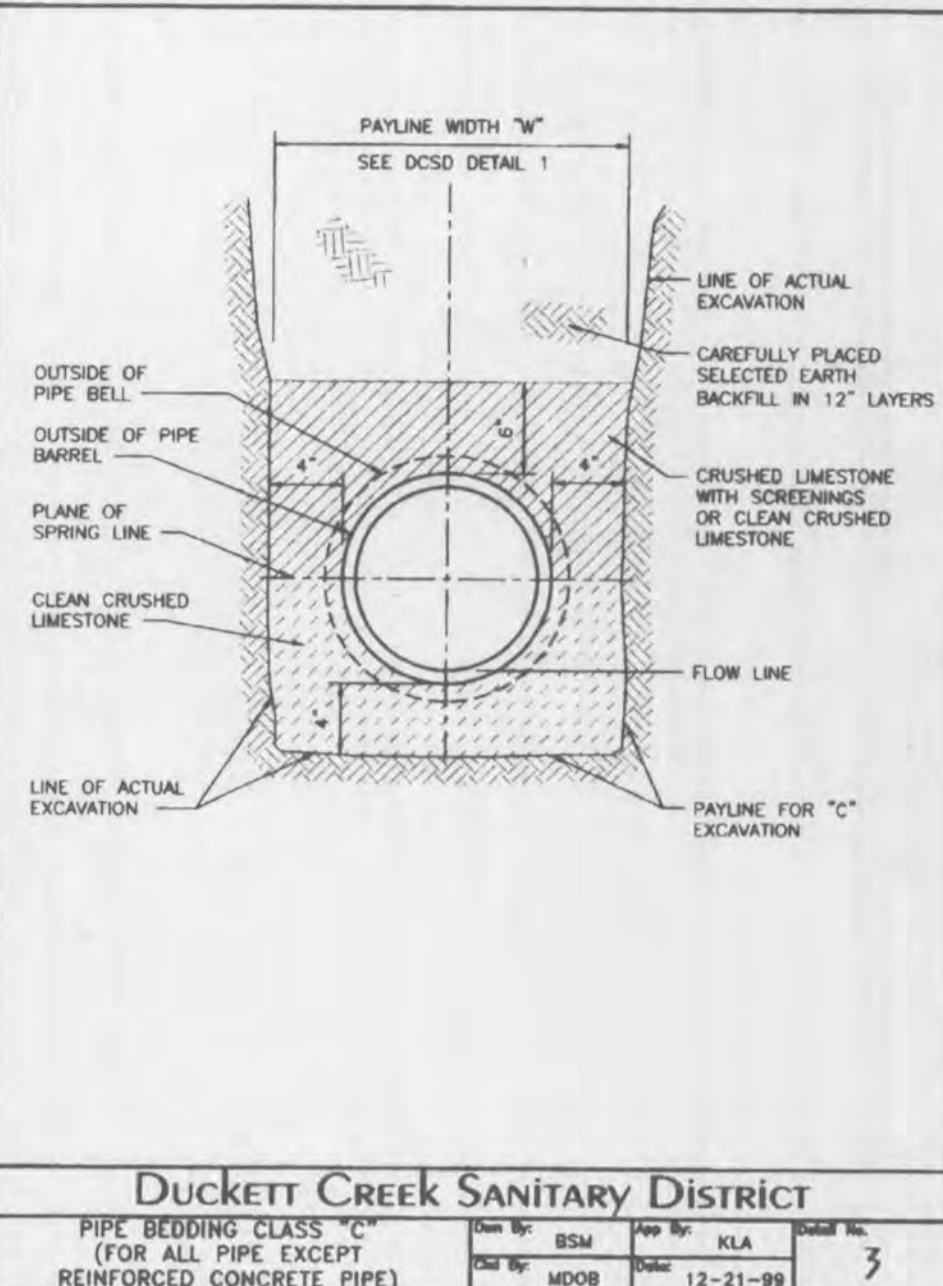


ROUND PIPE				HORIZONTAL ELLIPTICAL PIPE			
INSIDE DIAMETER OF PIPE (INCHES)	PAVLINE WIDTH OF TRENCH (INCHES)	PAVLINE WIDTH OF TRENCH (FEET)	PAV VOLUMES CU. FT. PER FT.	INSIDE DIAMETER OF PIPE (INCHES)	PAVLINE WIDTH OF TRENCH (INCHES)	PAVLINE WIDTH OF TRENCH (FEET)	PAV VOLUMES CU. FT. PER FT.
4	30	2.50	3.28				
6	30	2.50	3.59				
8	30	2.50	3.87				
10	30	2.50	4.09				
12	30	2.50	4.25				
15	36	3.00	5.55				
18	36	3.00	5.77	14 x 23	41	3.42	5.94
21	39	3.25	6.61				
24	42	3.50	7.39	19 x 30	49	4.08	7.68
27	45	3.75	8.18	22 x 34	53	4.42	8.61
30	48	4.00	9.30	24 x 36	58	4.83	9.70
33	51	4.42	10.53	27 x 42	62	5.17	10.71
36	54	4.67	11.43	29 x 45	66	5.50	11.72
39		DISCONTINUED		32 x 49	71	5.92	13.14
42	63	5.25	13.38	34 x 53	75	6.25	14.05
48	70	5.83	15.67	38 x 60	83	6.92	16.18
54	77	6.42	18.15	43 x 68	92	7.67	18.81
60	84	7.00	20.73	48 x 76	101	8.42	21.59
66	91	7.58	23.45	53 x 83	109	9.08	24.35
72	98	8.17	26.37	58 x 91	118	9.83	27.45
78	105	8.75	29.39	63 x 98	126	10.50	30.50
84	112	9.33	32.57	68 x 106	135	11.25	33.81
90	119	9.92	35.90	72 x 113	143	11.92	36.99
96	126	10.50	39.37	77 x 121	152	12.67	40.69
102	133	11.08	42.99	82 x 128	160	13.33	44.45
108	140	11.67	46.75	87 x 136	168	14.00	47.79
114	147	12.25	50.66	92 x 143	176	14.67	51.70
120	154	12.83	54.72	97 x 151	185	15.42	56.01
126	161	13.42	58.92				
132	168	14.00	63.27	106 x 166	202	16.83	64.48
144	182	15.17	72.40	116 x 180	218	18.17	73.59

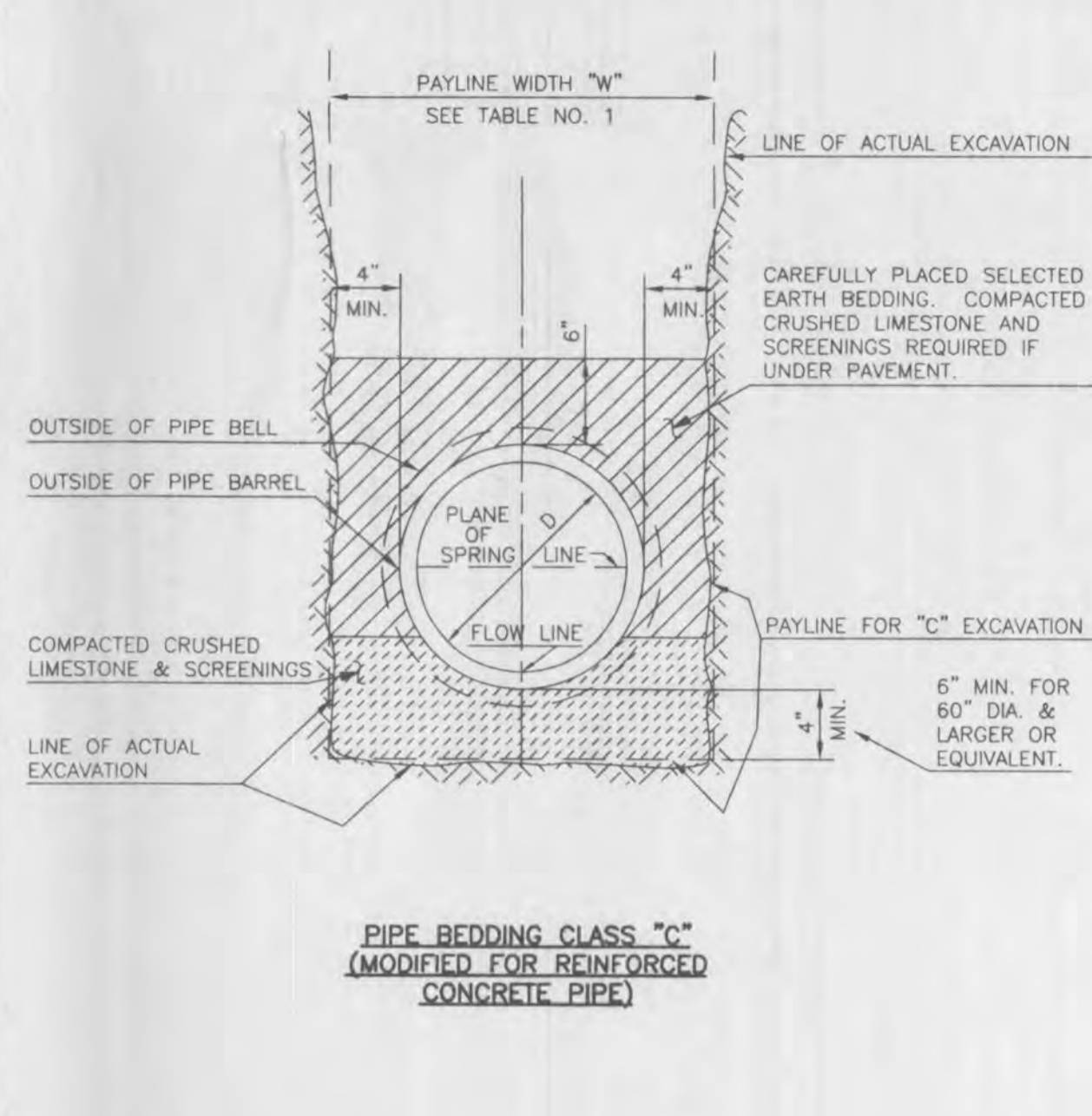
DUCKETT CREEK SANITARY DISTRICT			
PAVLINE WIDTHS OF TRENCH AND PAY-QUANTITIES OF CONCRETE	BSM	KLA	1
	MOOB	12-21-99	



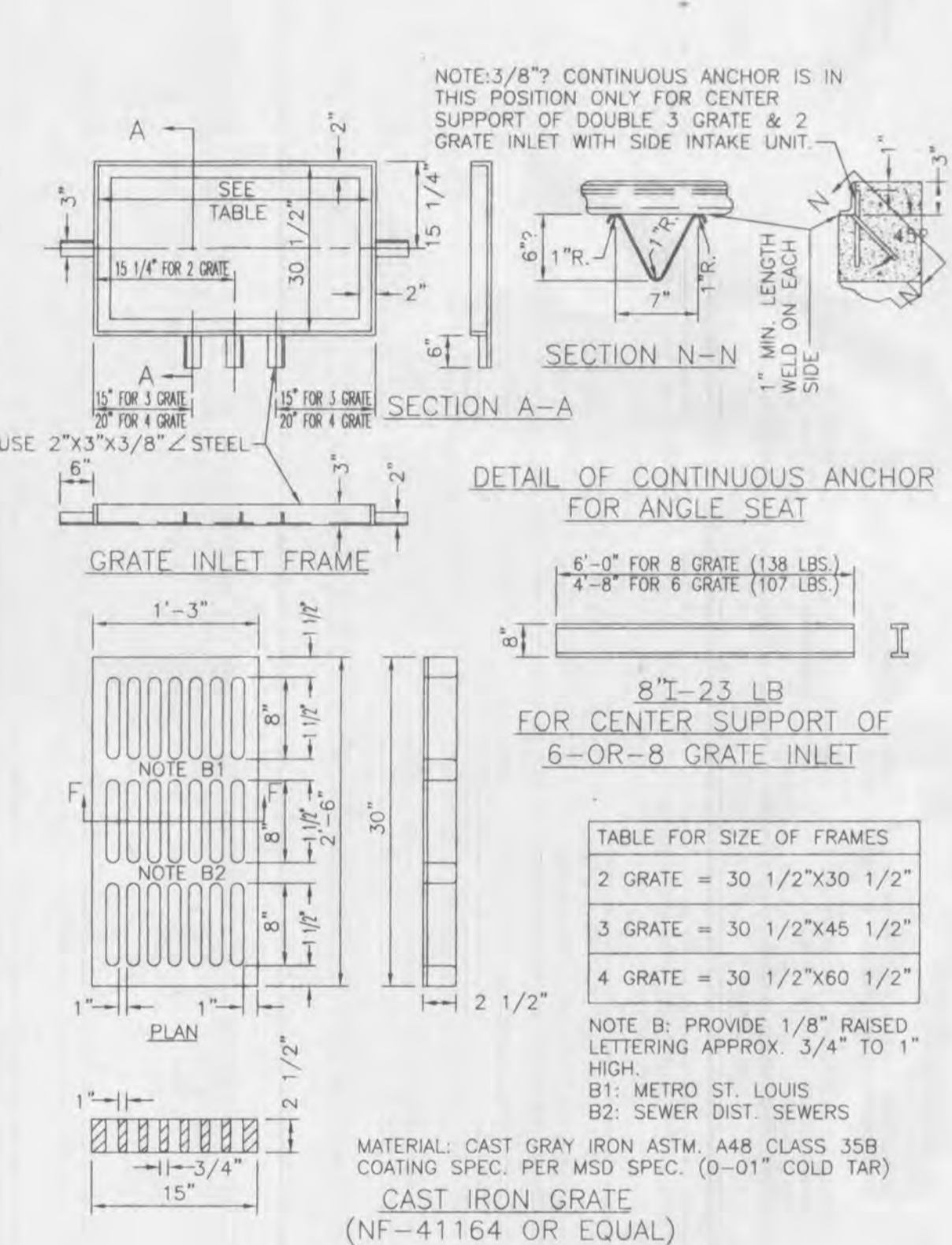
DUCKETT CREEK SANITARY DISTRICT			
TYPICAL SEWER LATERAL CLEANOUT DETAILS	BSM	KLA	25
	MOOB	1-8-01	



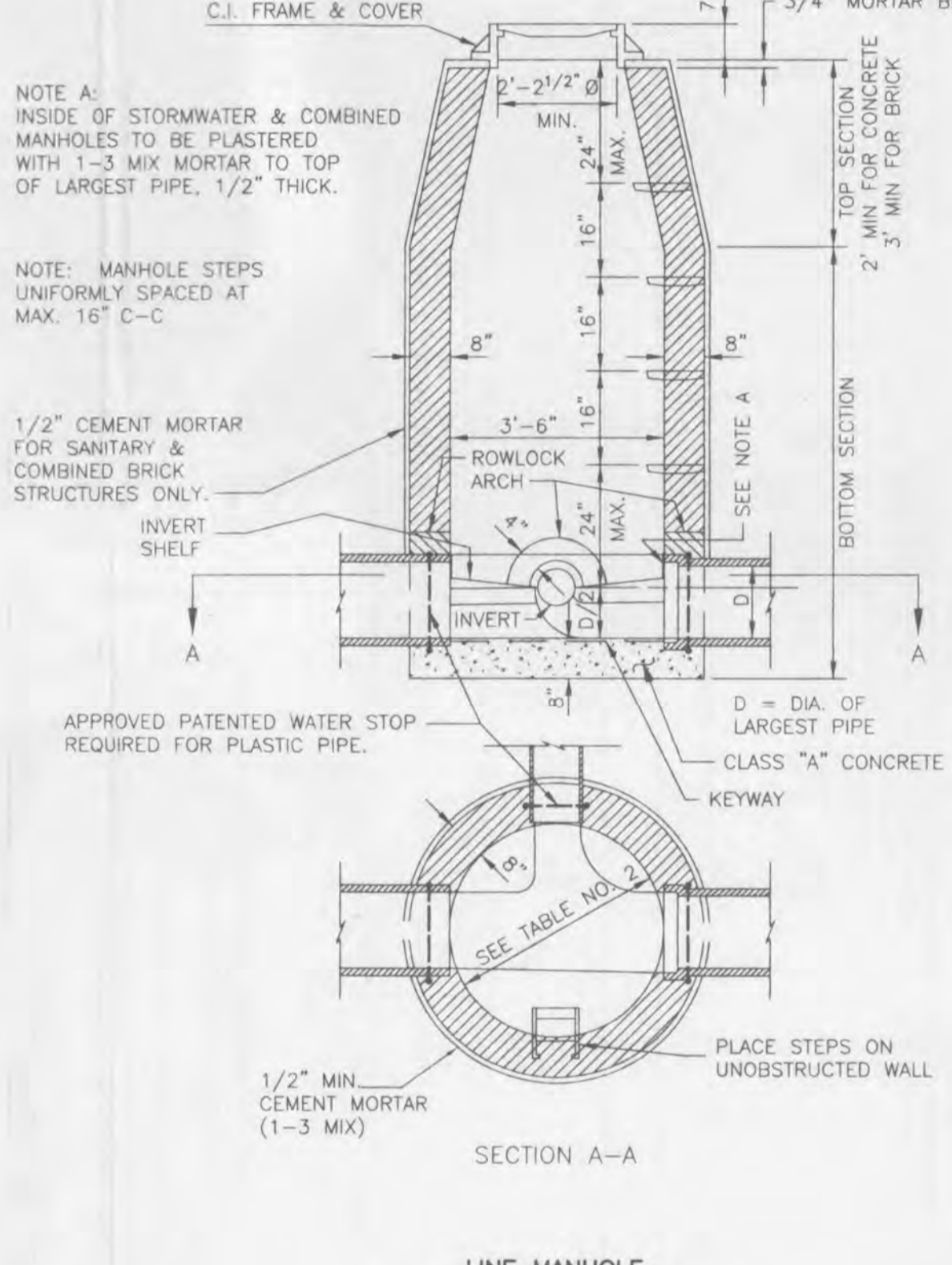
DUCKETT CREEK SANITARY DISTRICT			
PIPE BEDDING CLASS "C" (FOR ALL PIPE EXCEPT REINFORCED CONCRETE PIPE)	BSM	KLA	3
	MOOB	12-21-99	



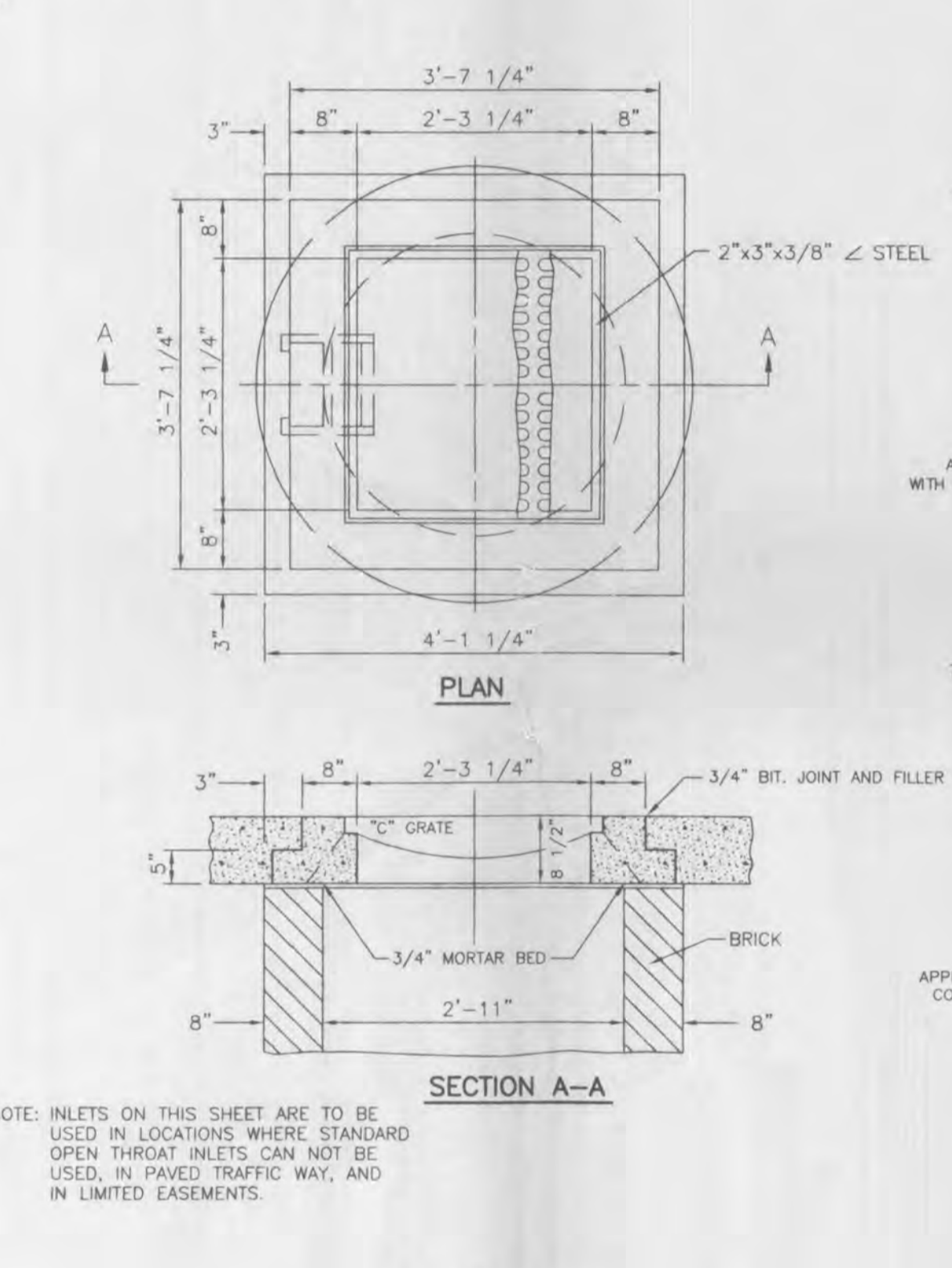
DUCKETT CREEK SANITARY DISTRICT			
PAVLINE WIDTHS OF TRENCH AND PAY-QUANTITIES OF CONCRETE	BSM	KLA	3
	MOOB	12-21-99	



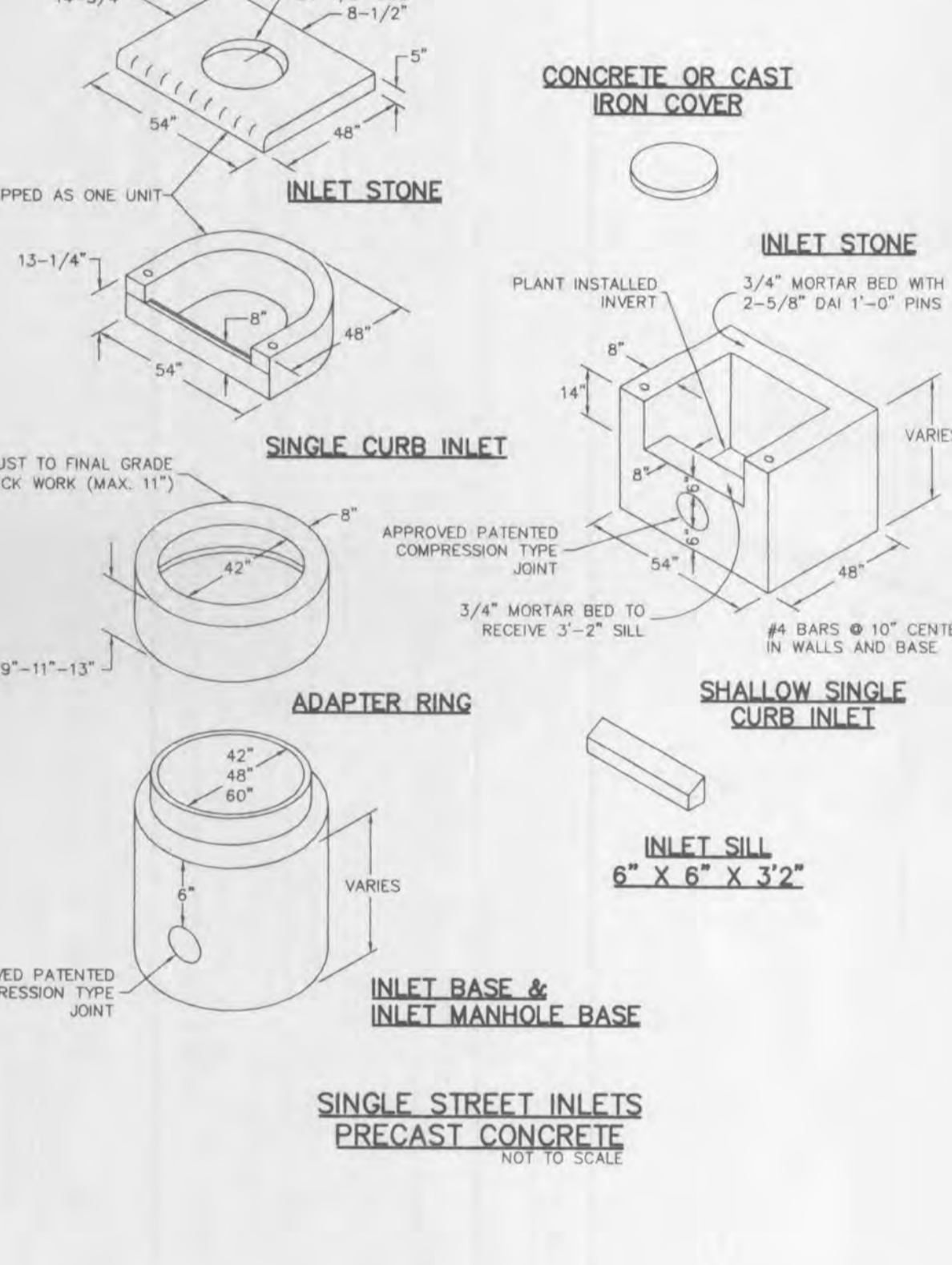
DUCKETT CREEK SANITARY DISTRICT			
DETAILS OF INLET FRAME AND GRATES	BSM	KLA	1
	MOOB	12-21-99	



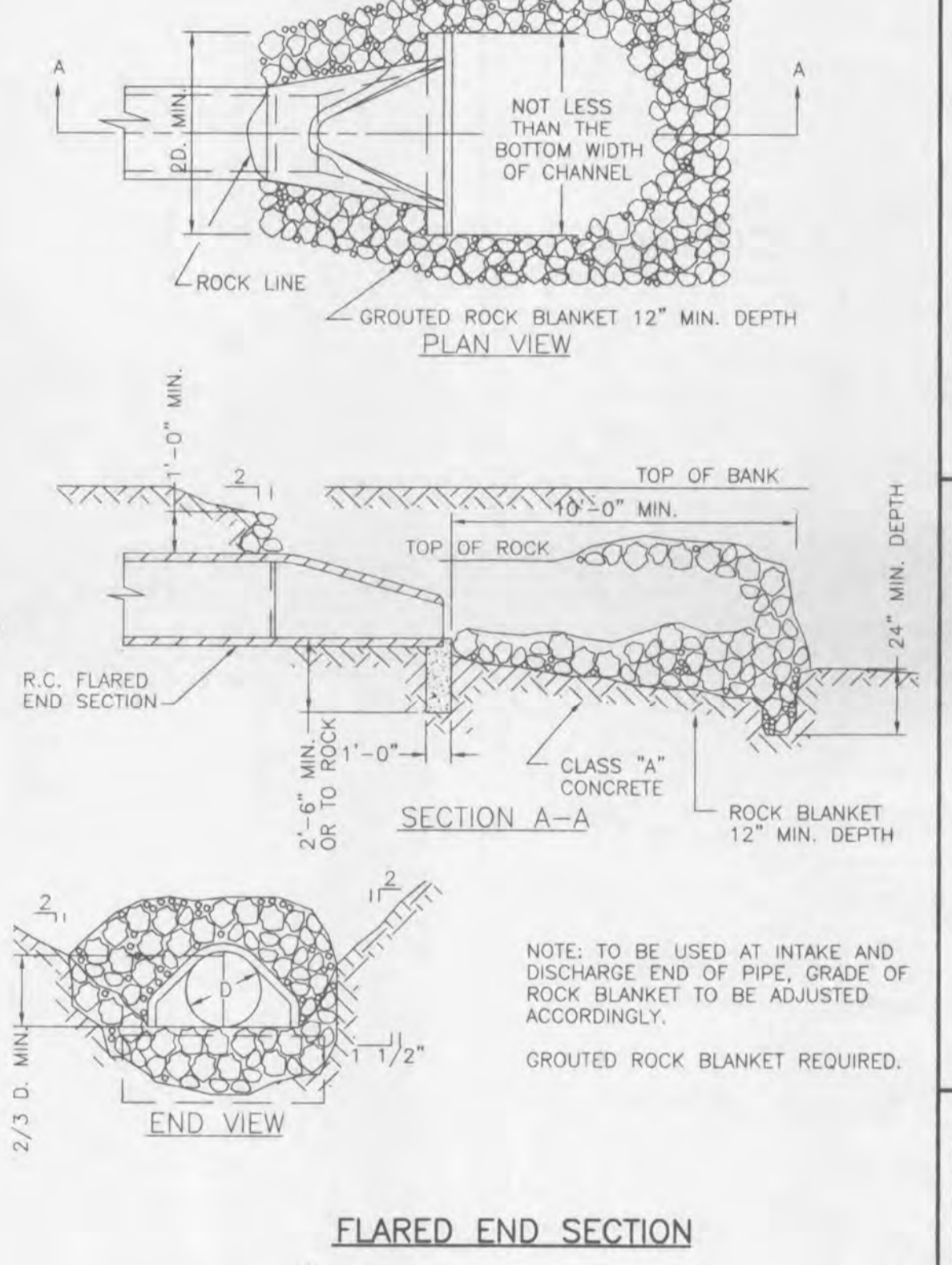
DUCKETT CREEK SANITARY DISTRICT			
LINE MANHOLE PIPE SEWERS 8-24 DIA.	BSM	KLA	2
	MOOB	12-21-99	



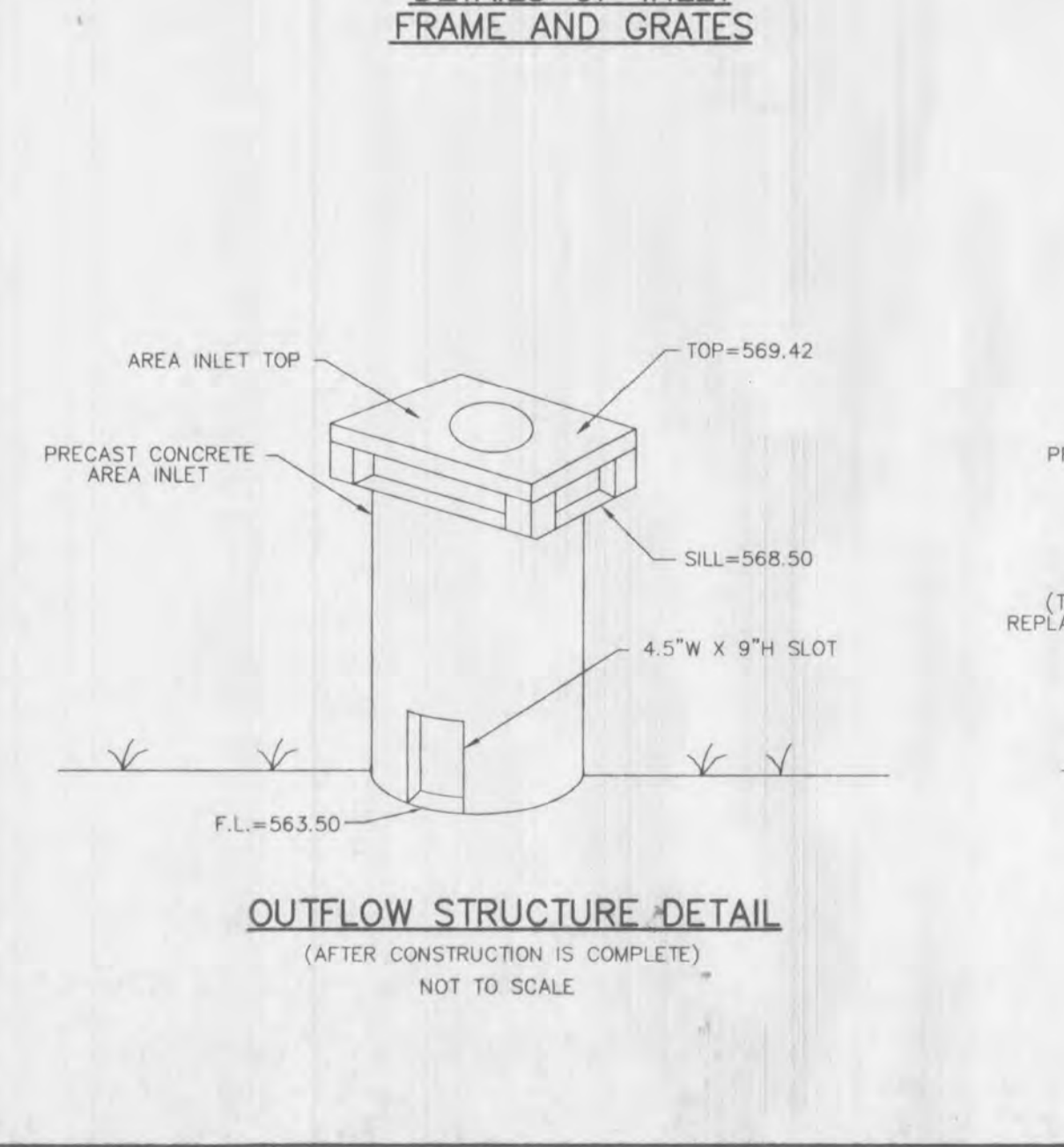
DUCKETT CREEK SANITARY DISTRICT			
2 GRATE INLET	BSM	KLA	3
	MOOB	12-21-99	



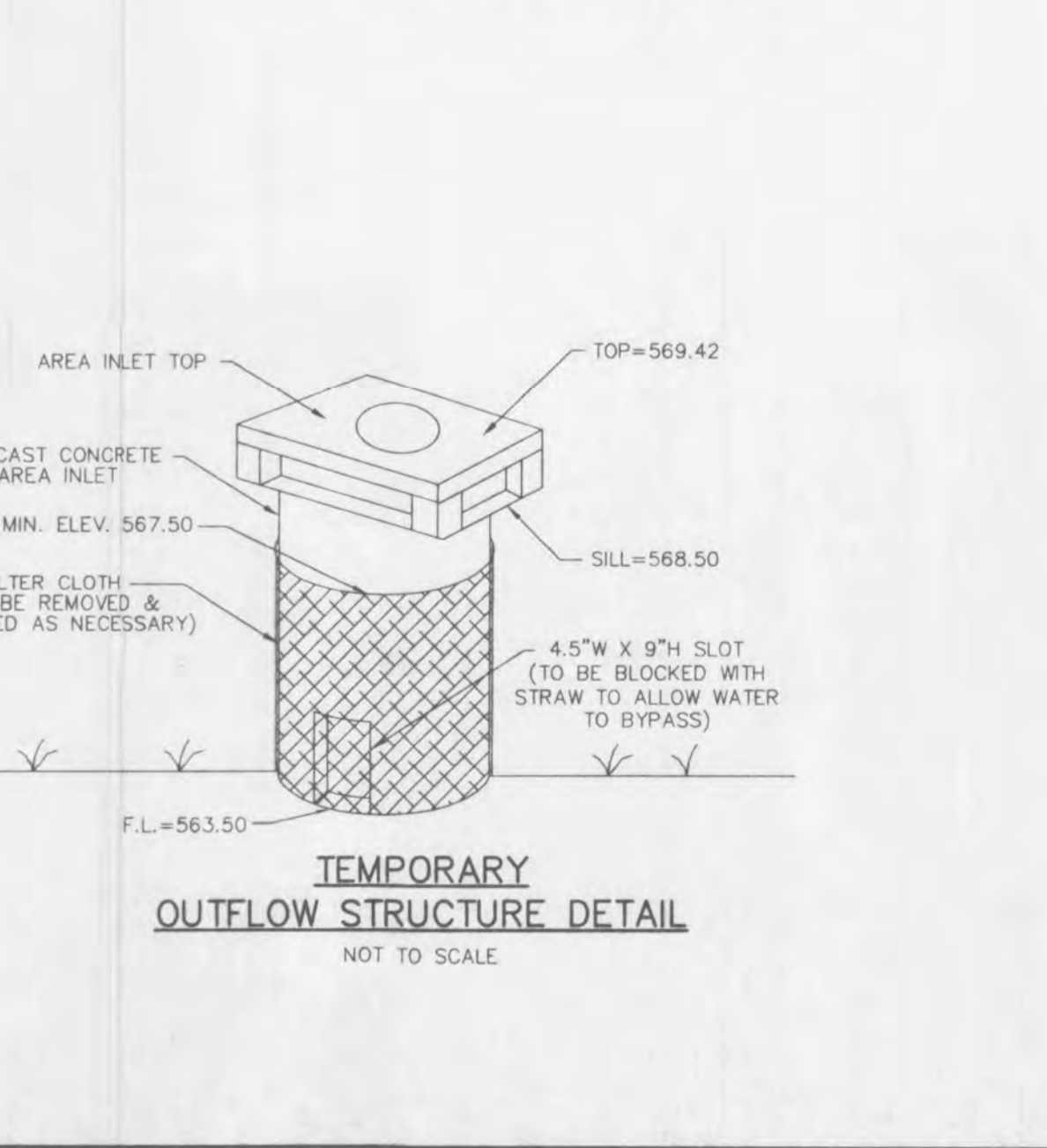
DUCKETT CREEK SANITARY DISTRICT			
SINGLE STREET INLETS PRECAST CONCRETE	BSM	KLA	4
	MOOB	12-21-99	



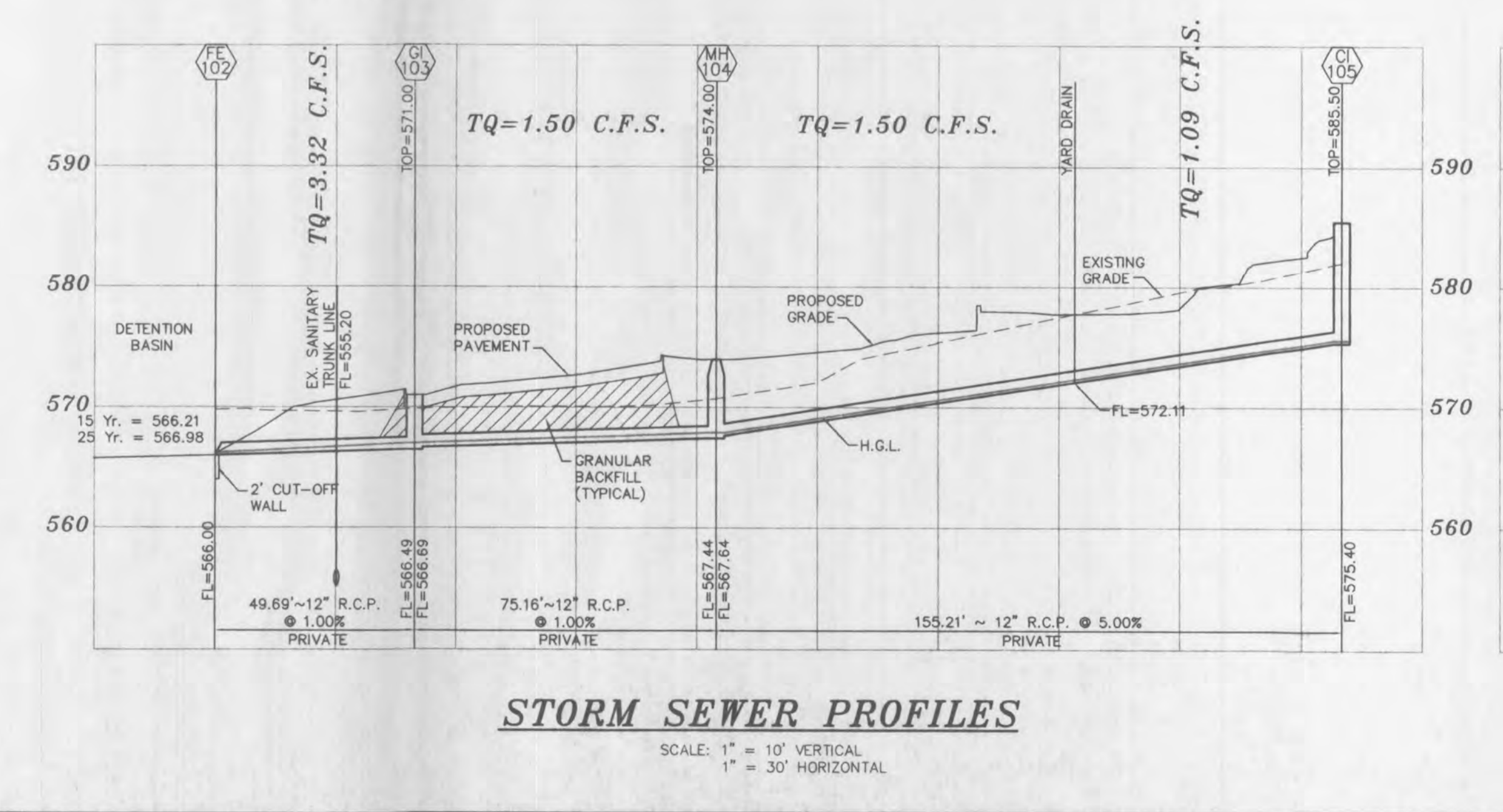
DUCKETT CREEK SANITARY DISTRICT			
FLARED END SECTION	BSM	KLA	5
	MOOB	12-21-99	



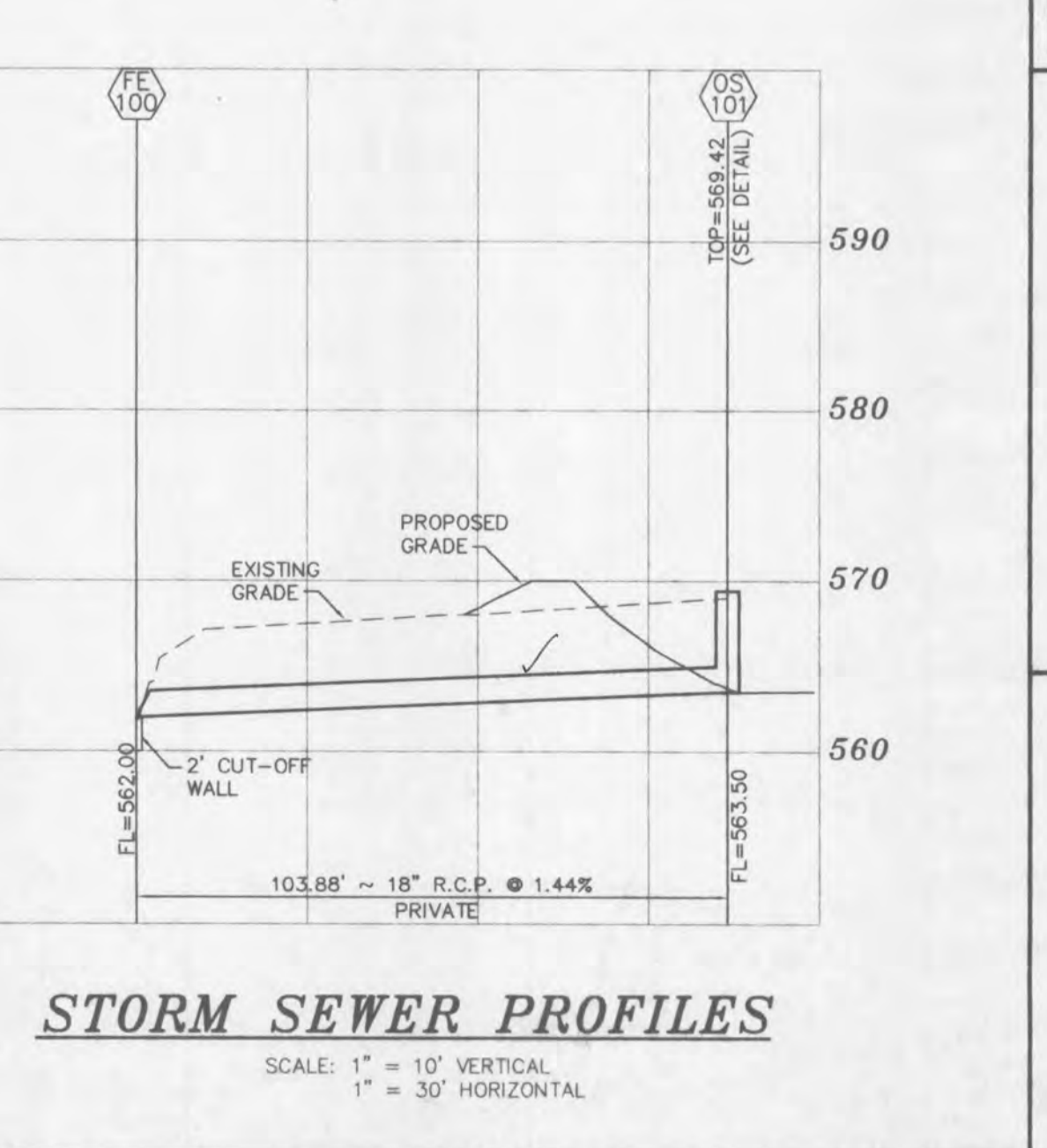
DUCKETT CREEK SANITARY DISTRICT			
OUTFLOW STRUCTURE DETAIL	BSM	KLA	6
	MOOB	12-21-99	



DUCKETT CREEK SANITARY DISTRICT			
TEMPORARY OUTFLOW STRUCTURE DETAIL	BSM	KLA	7
	MOOB	12-21-99	



DUCKETT CREEK SANITARY DISTRICT			
STORM SEWER PROFILES	BSM	KLA	8
	MOOB	12-21-99	



DUCKETT CREEK SANITARY DISTRICT			
STORM SEWER PROFILES	BSM	KLA	9
	MOOB	12-21-99	

PREPARED FOR: **CHILD HAVEN DAY CARE**
JIM PODHORSKY
6 WOOD GREEN COURT
O'FALLON, MISSOURI

DISCLAIMER OF RESPONSIBILITY: I hereby specify that the documents intended to be authorized by my seal are limited to the work and I hereby disclaim any responsibility for all other drawings, specifications, estimates, reports or other documents or performance resulting to or intended to be used for any part or parts of the architectural or engineering project or survey.

Copyright 2002
 B&E Engineering Company, Inc.
 All Rights Reserved.

REVISIONS	
2-25-02	PER QTY COMMENTS
3-12-02	PER QTY COMMENTS

B&E
 ENGINEERING
 PLANNING
 SURVEYING

1052 South Cloverleaf Drive
 St. Peters, MO. 63378-6445
 636-928-5552
 FAX 928-1718

1-24-02
 DATE
 01-11610
 PROJECT NUMBER
 6 OF 7
 SHEET OF
 11610CON.DWG
 FILE NAME
 ALJ
 DRAWN
 ALJ CLH
 DESIGNED CHECKED