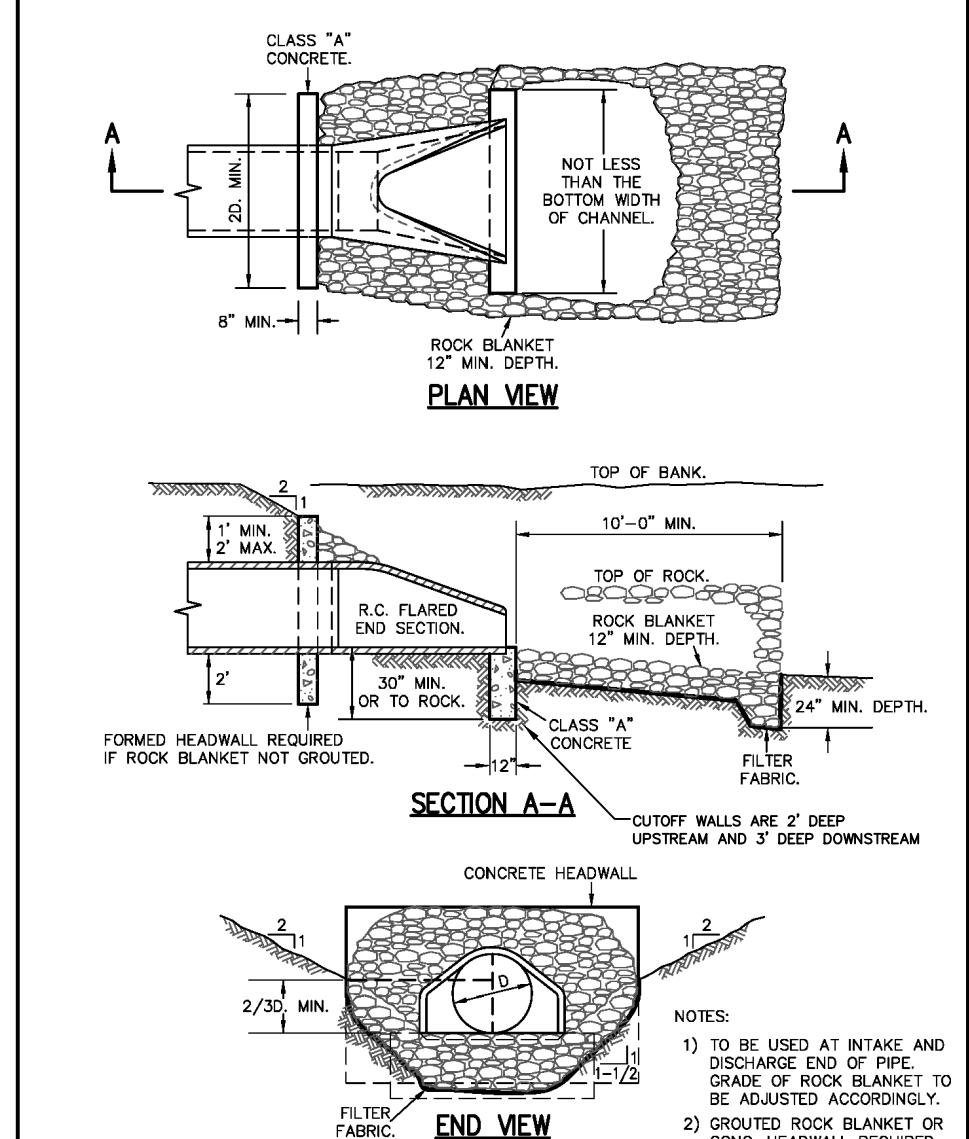
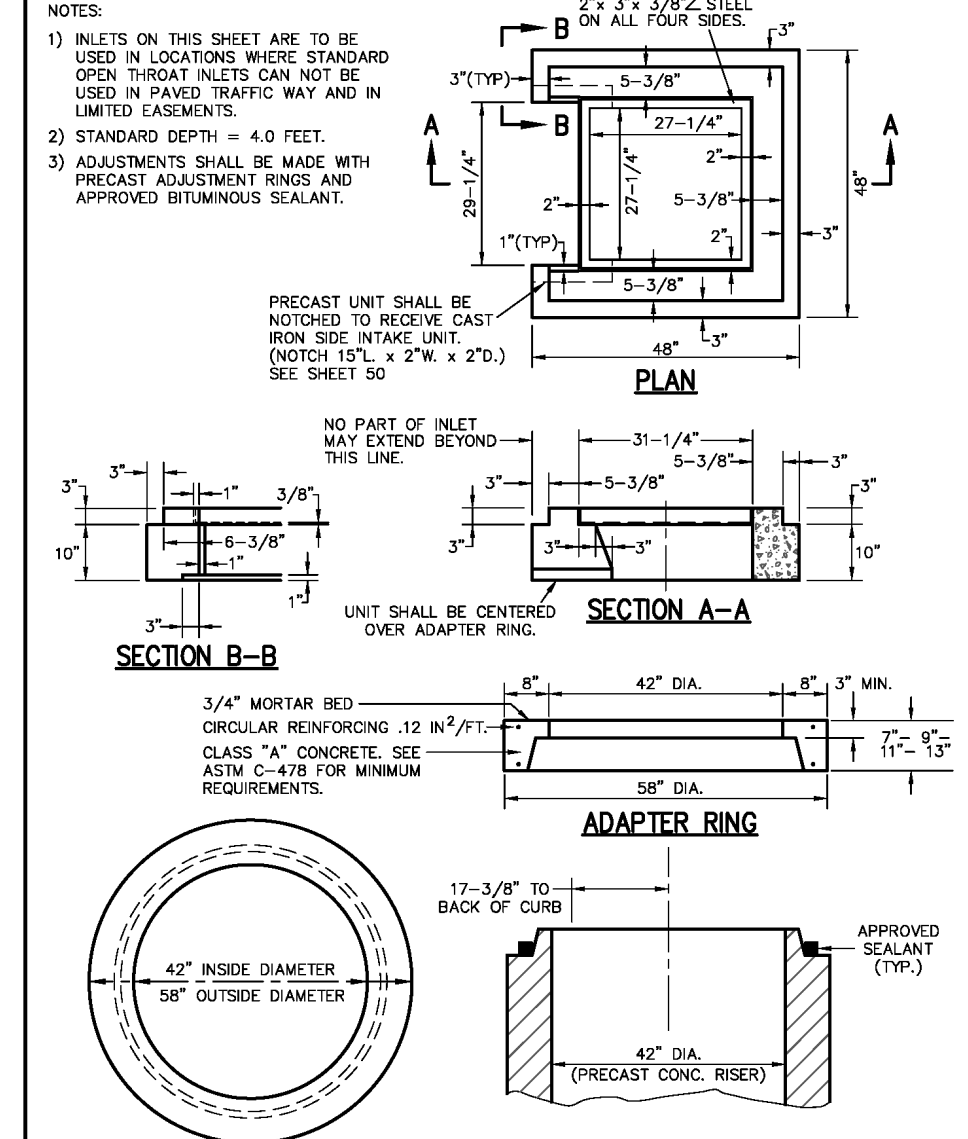


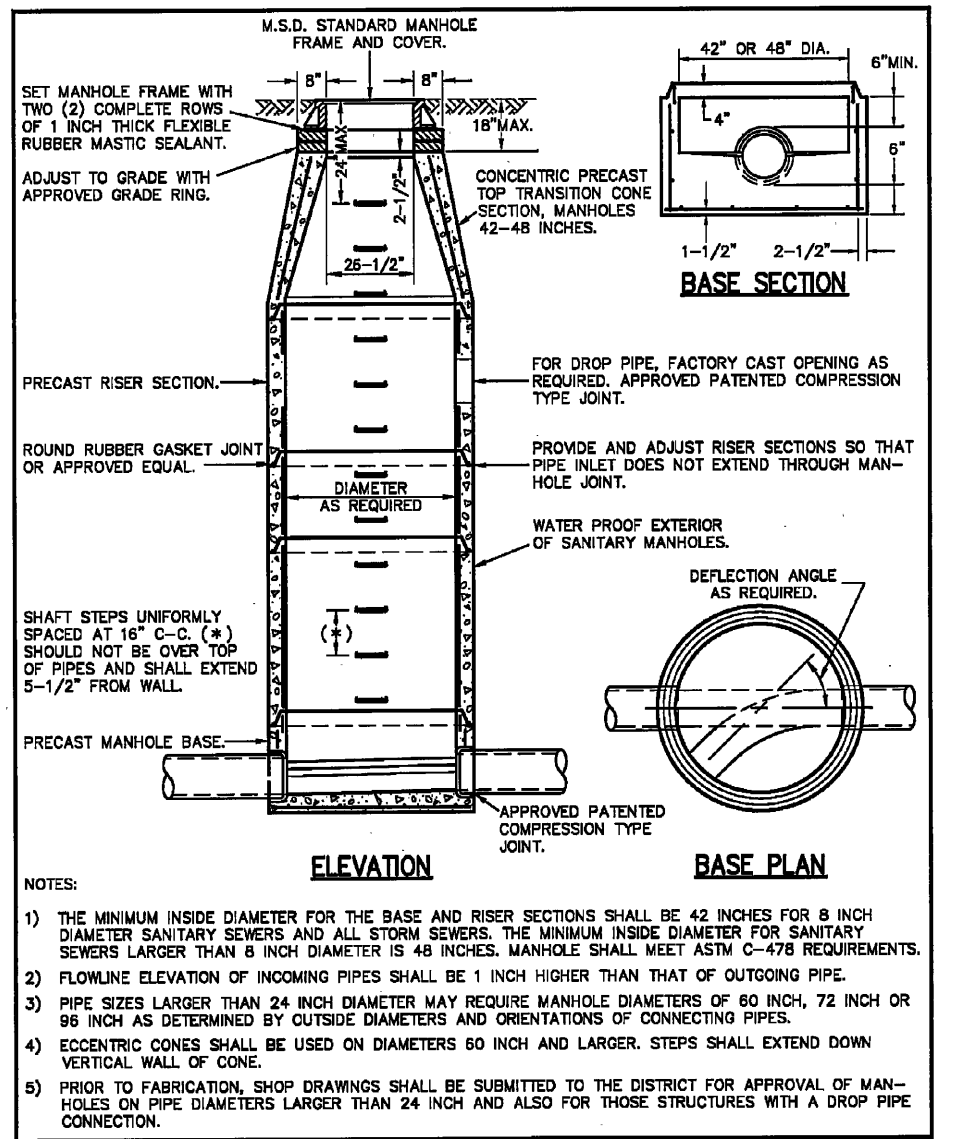
PIPE BEDDING CLASS "C" (MODIFIED FOR REINFORCED CONCRETE PIPE)
 METROPOLITAN ST. LOUIS SEWER DISTRICT
 Standard Details of Sewer Construction
 Dr. W.S.H./S.A.M. Ch. J.C.K. 2009 SHEET 5



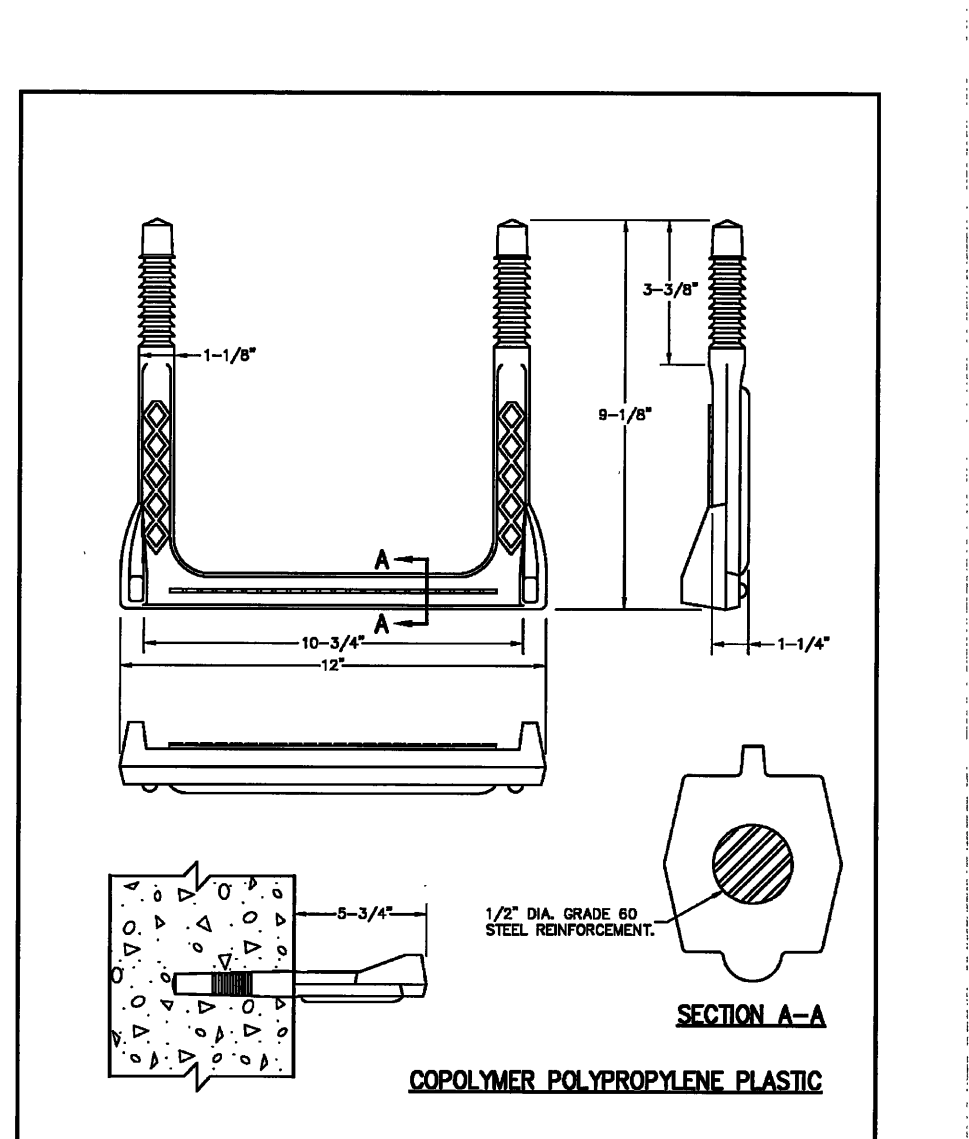
FLARED END SECTION
 METROPOLITAN ST. LOUIS SEWER DISTRICT
 Standard Details of Sewer Construction
 Dr. W.S.H./S.A.M. Ch. J.C.K. 2009 SHEET 61



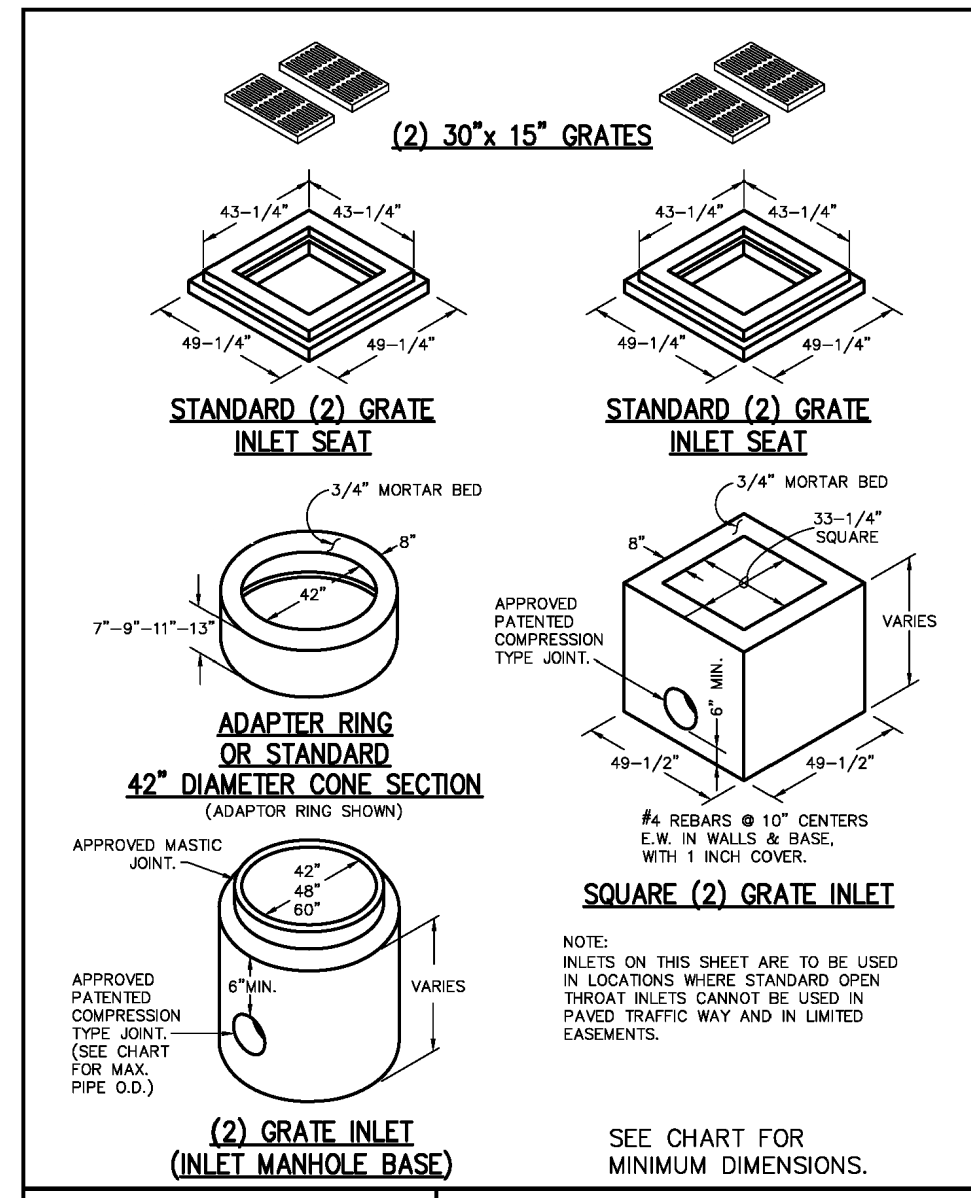
GRATE SEAT FOR 2 GRATE INLET WITH SIDE INTAKE
 METROPOLITAN ST. LOUIS SEWER DISTRICT
 Standard Details of Sewer Construction
 Dr. W.S.H./M.C.K. Ch. J.C.K. 2009 SHEET 32



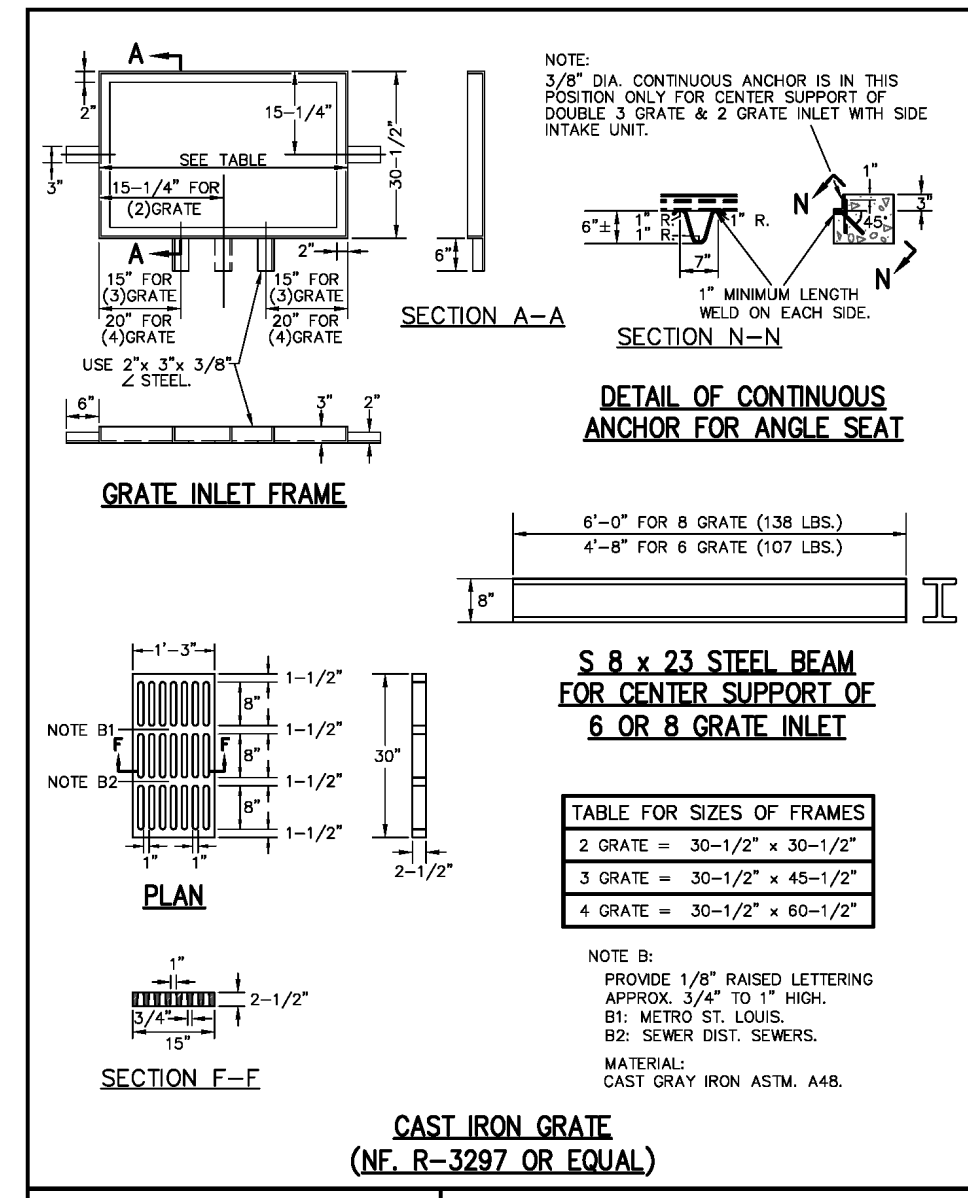
PRECAST CONCRETE MANHOLE
 METROPOLITAN ST. LOUIS SEWER DISTRICT
 Standard Details of Sewer Construction
 Dr. W.S.H./S.A.M. Ch. J.C.K. 2009 SHEET 21



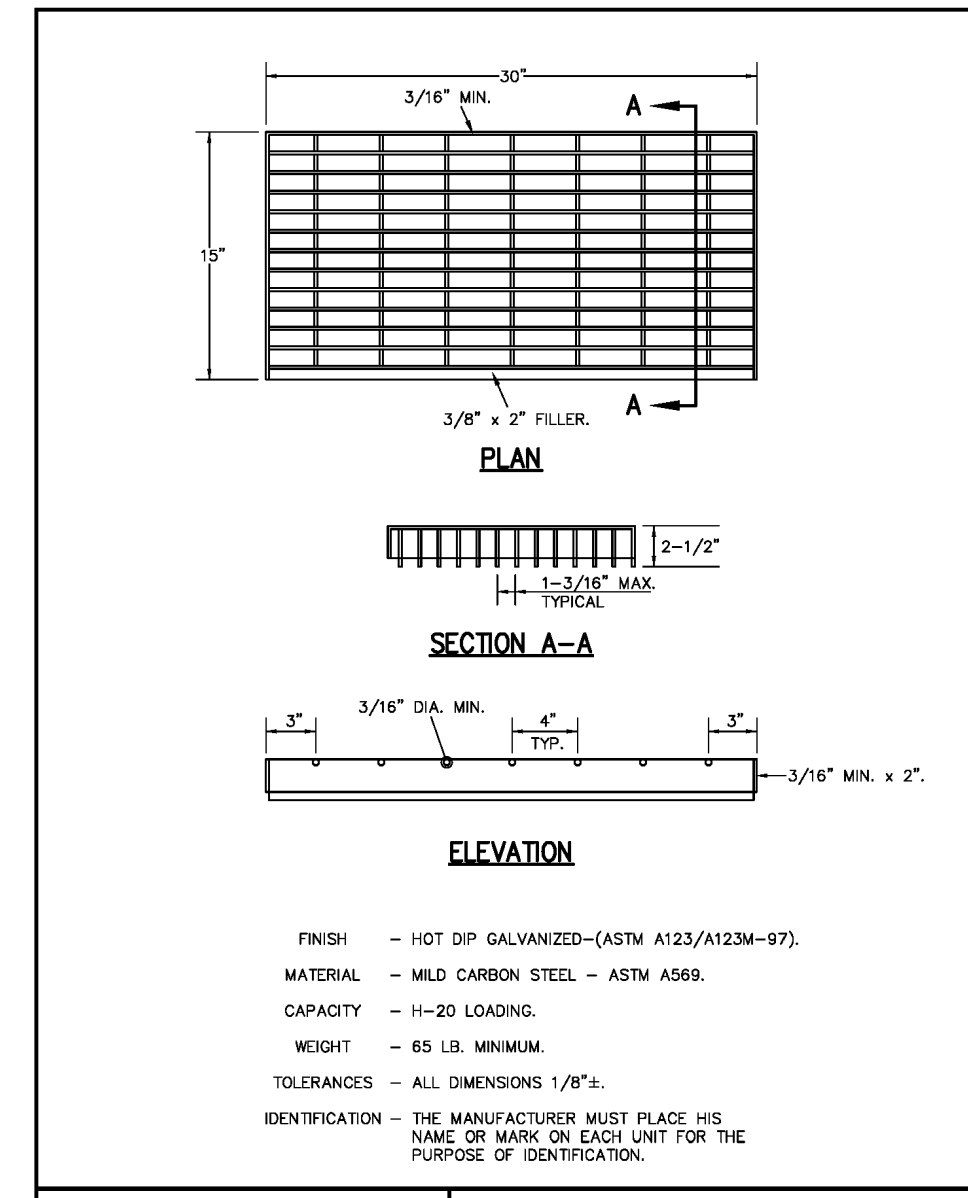
MANHOLE STEP FOR PRECAST & CAST-IN-PLACE MANHOLE
 METROPOLITAN ST. LOUIS SEWER DISTRICT
 Standard Details of Sewer Construction
 Dr. D.A.B./S.A.M. Ch. J.C.K. 2009 SHEET 58



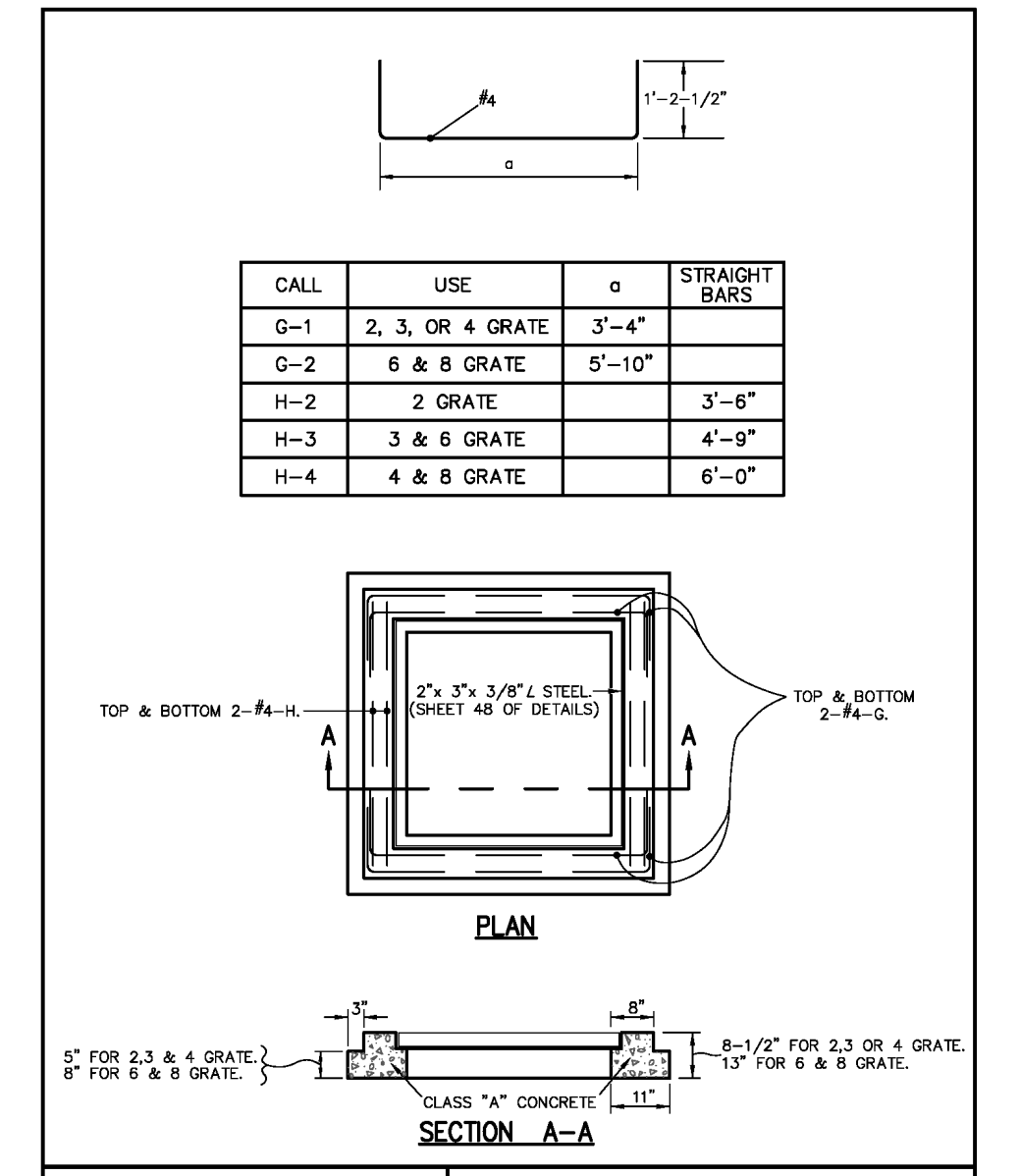
2 GRATE INLETS PRECAST CONCRETE
 METROPOLITAN ST. LOUIS SEWER DISTRICT
 Standard Details of Sewer Construction
 Dr. J.G./S.A.M. Ch. J.C.K. 2009 SHEET 35



DETAILS OF INLET FRAME AND GRATES
 METROPOLITAN ST. LOUIS SEWER DISTRICT
 Standard Details of Sewer Construction
 Dr. R.W./S.A.M. Ch. J.C.K. 2009 SHEET 47



DETAIL OF STEEL GRATE
 METROPOLITAN ST. LOUIS SEWER DISTRICT
 Standard Details of Sewer Construction
 Dr. R.W./S.A.M. Ch. J.C.K. 2009 SHEET 48



STEEL REQUIREMENTS FOR GRATE INLET SEAT
 METROPOLITAN ST. LOUIS SEWER DISTRICT
 Standard Details of Sewer Construction
 Dr. W.S.H./S.A.M. Ch. J.C.K. 2009 SHEET 50

PROJECT TITLE:
 CHILDREN'S LIGHTHOUSE
 EARLY LEARNING CENTER
 2570 SOMMERS ROAD
 OFALLON, MISSOURI 63368

ENGINEERING
 PLANNING
 SURVEYING
 221 Point West Blvd.
 St. Charles, MO 63301
 636-928-5552
 FAX 636-928-1718

REFERENCE DRAWINGS ONLY, ENGINEERS SEAL DOES NOT APPLY TO THESE DETAILS

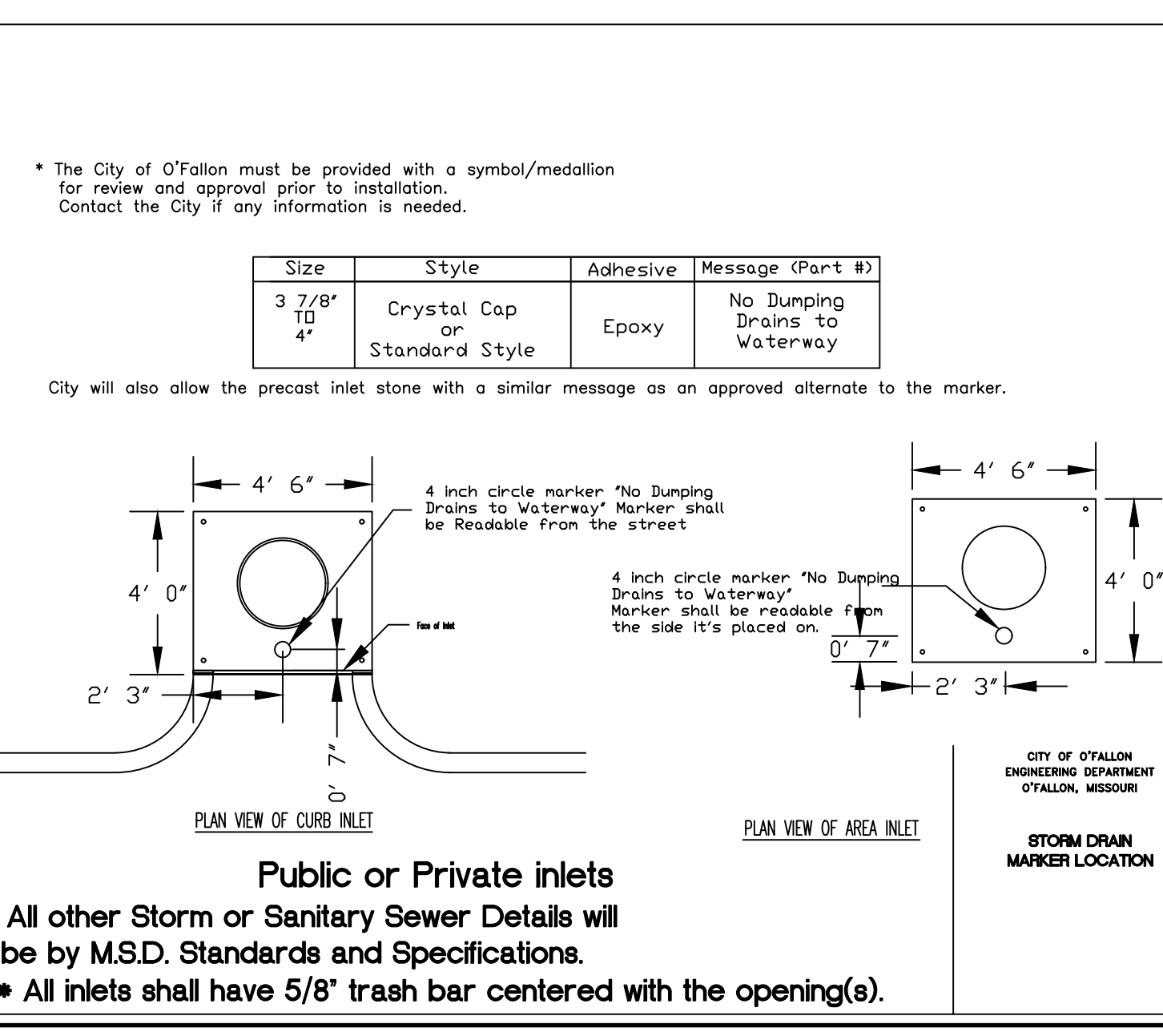
CALL	USE	α	STRAIGHT BARS
G-1	2, 3, OR 4 GRATE	3'-4"	
G-2	6 & 8 GRATE	6'-10"	
H-2	2 GRATE	3'-6"	
H-3	3 & 8 GRATE	4'-9"	
H-4	4 & 8 GRATE	6'-0"	

REVISIONS	
11-3-23	city, county, dcsd & pswd2 comments

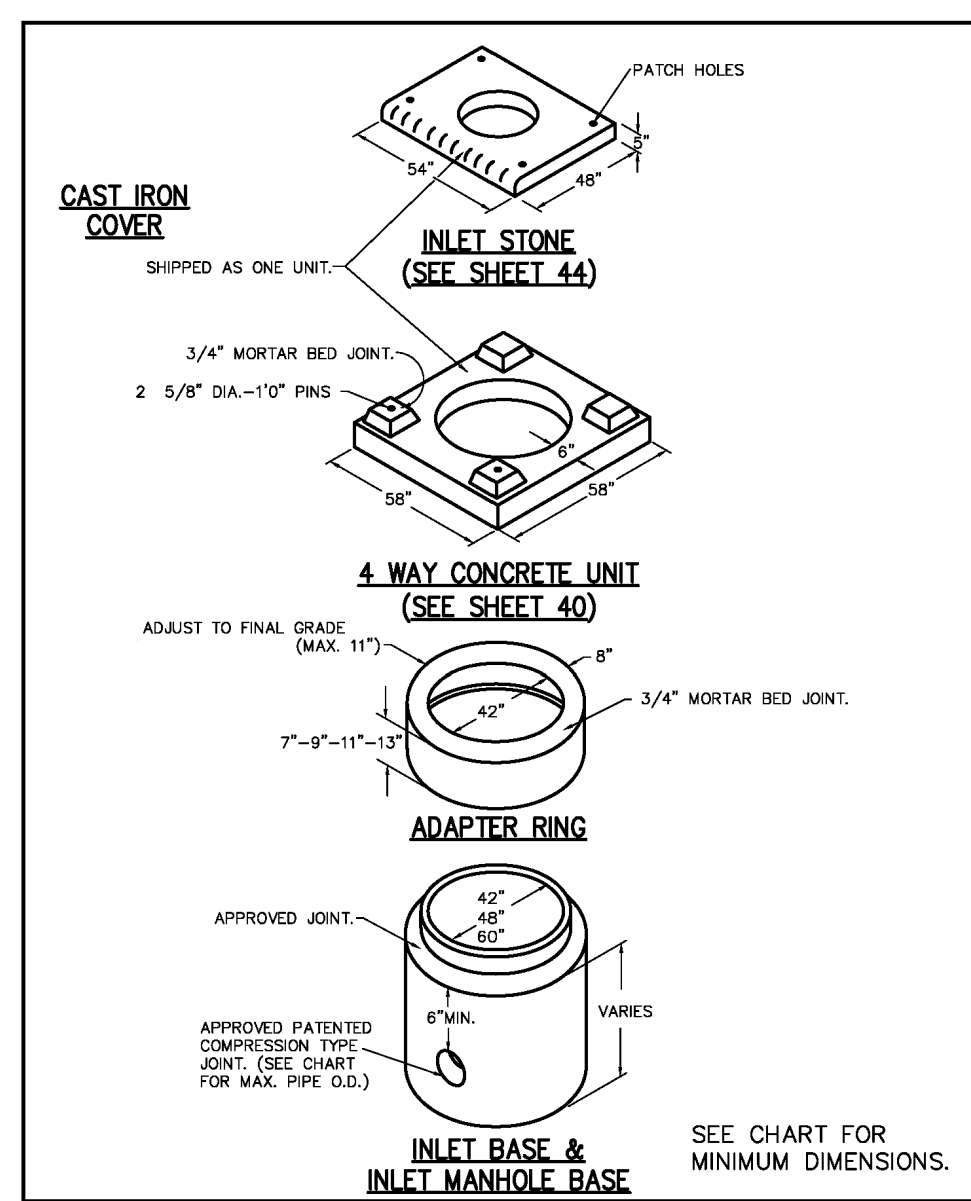
Developer / Owner:
 JAFFR LLC, ASHLEY FANGMAN
 4010 CORKWOOD CT.
 COLUMBIA, MO 65203
 417-766-8874 - ashleyfangmann@gmail.com

STORM SEWER DETAILS

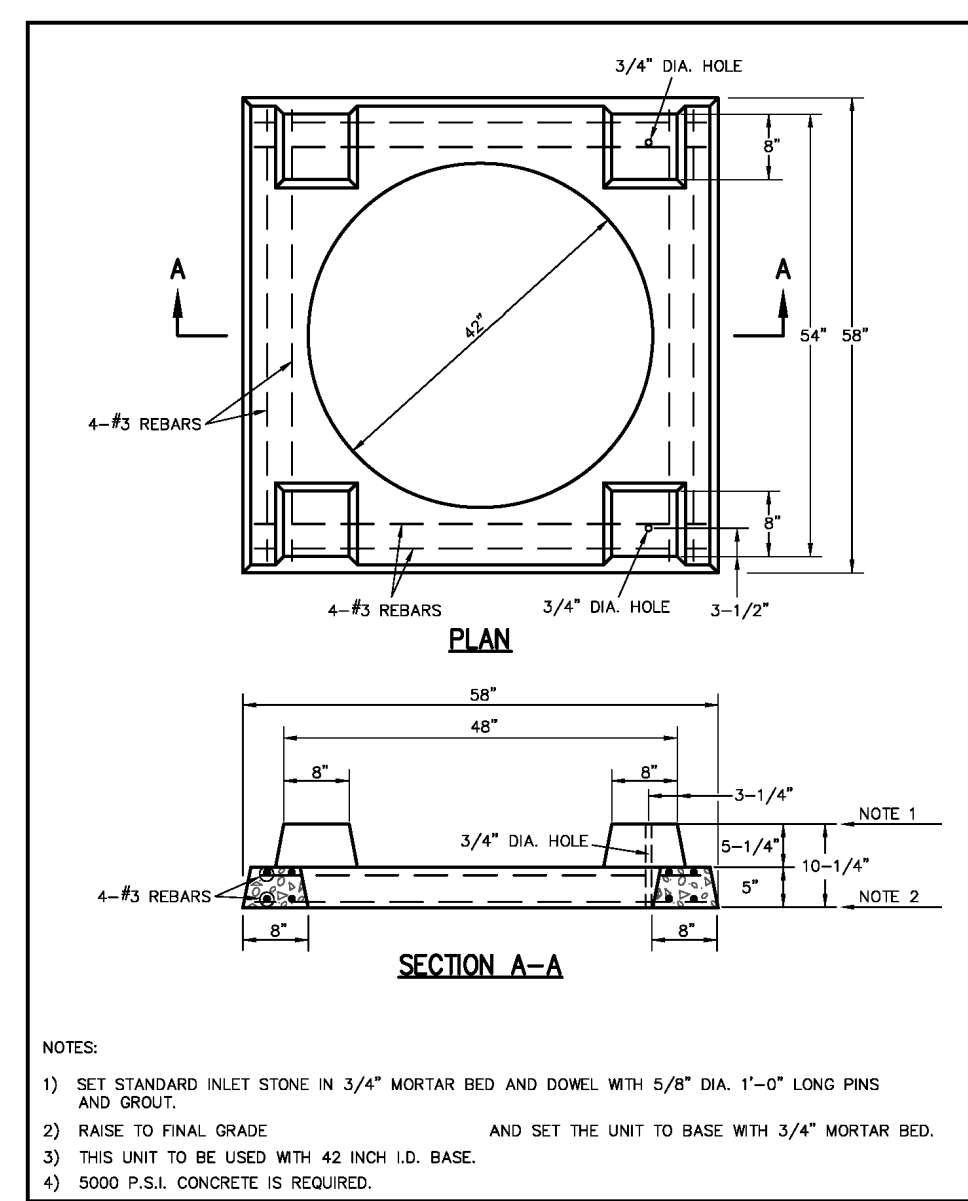
P+Z No. # 23-004744
 Approval Date: July 6, 2023
 City No. #
 Page No. 17 of 21



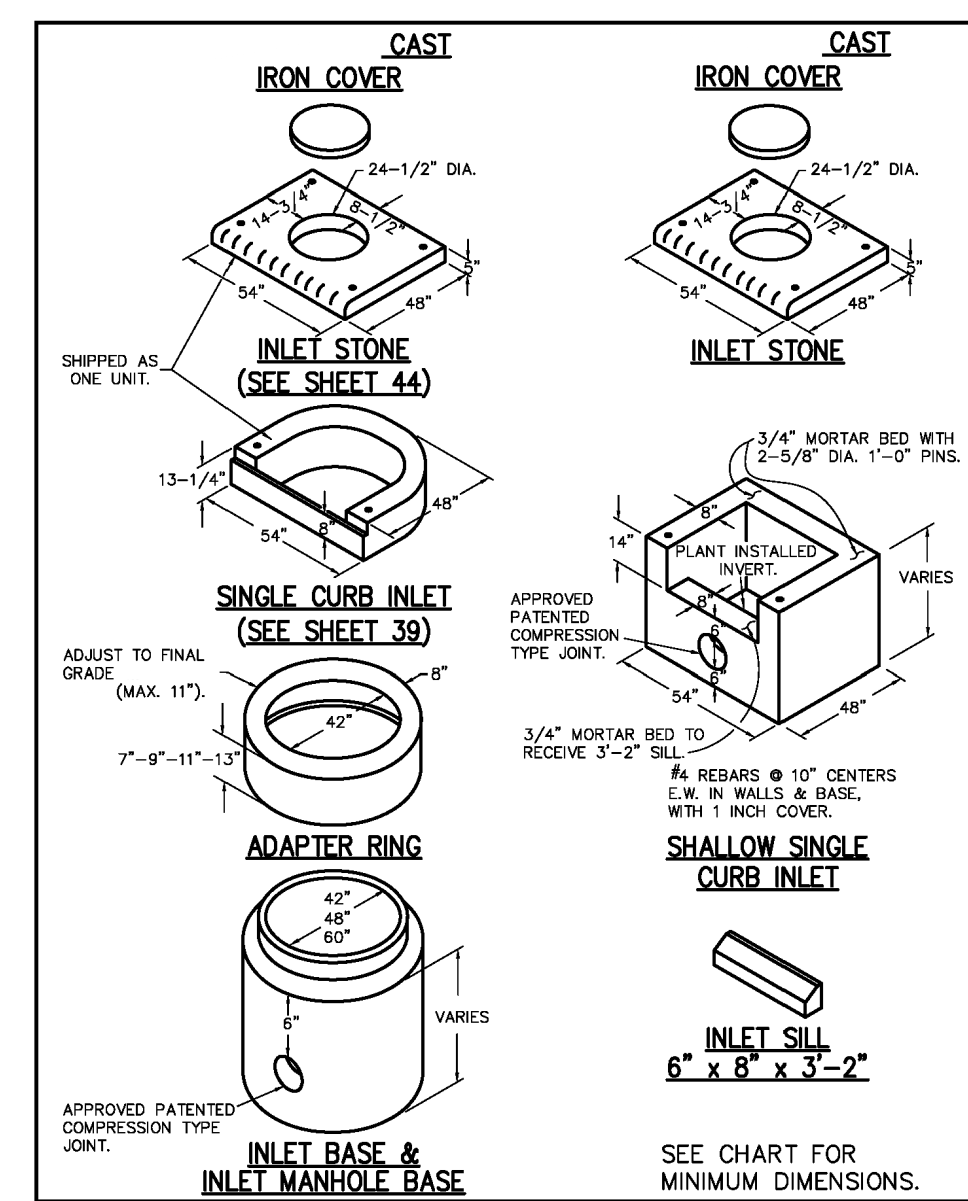
Public or Private inlets
 • All other Storm or Sanitary Sewer Details will be by M.S.D. Standards and Specifications.
 •• All inlets shall have 5/8" trash bar centered with the opening(s).



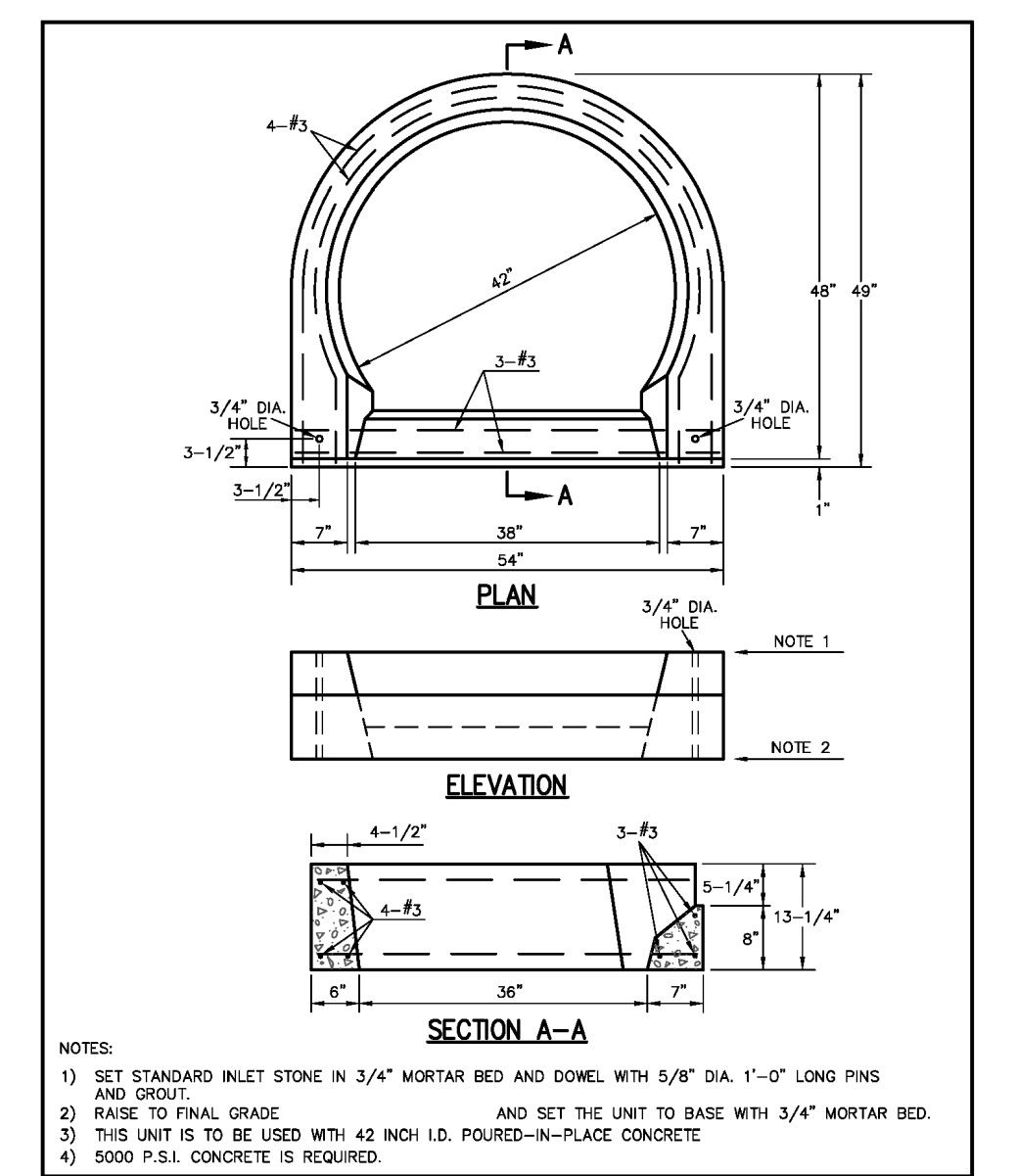
AREA INLET PRECAST CONCRETE
 METROPOLITAN ST. LOUIS SEWER DISTRICT
 Standard Details of Sewer Construction
 Dr. J.G./S.A.M. Ch. J.C.K. 2009 SHEET 34



PRECAST CONCRETE UNIT FOR 4 WAY AREA INLET
 METROPOLITAN ST. LOUIS SEWER DISTRICT
 Standard Details of Sewer Construction
 Dr. D.A.B./S.A.M. Ch. J.C.K. 2009 SHEET 40



SINGLE STREET INLETS PRECAST CONCRETE
 METROPOLITAN ST. LOUIS SEWER DISTRICT
 Standard Details of Sewer Construction
 Dr. J.G./S.A.M. Ch. J.C.K. 2009 SHEET 36



PRECAST CONCRETE UNIT FOR SINGLE STREET INLET
 METROPOLITAN ST. LOUIS SEWER DISTRICT
 Standard Details of Sewer Construction
 Dr. W.S.H./S.A.M. Ch. J.C.K. 2009 SHEET 39