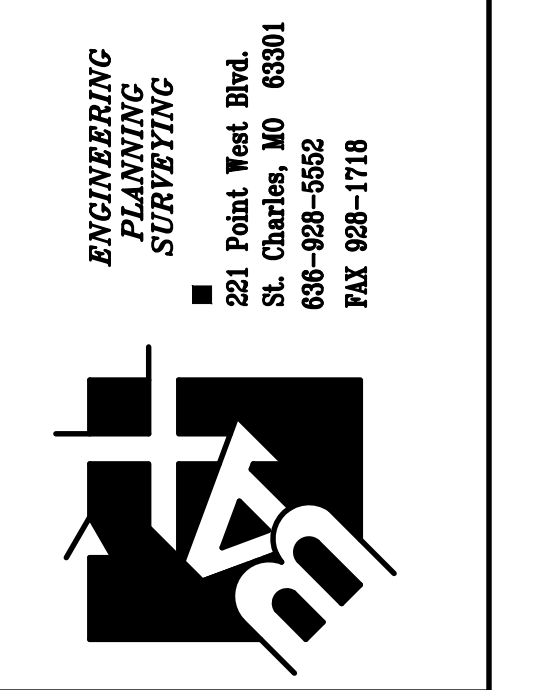


PROJECT TITLE:
**CHILDREN'S LIGHTHOUSE
 EARLY LEARNING CENTER**
 2570 SOMMERS ROAD
 OFALLON, MISSOURI 63368



REFERENCE DRAWINGS ONLY, ENGINEERS SEAL DOES NOT APPLY TO THESE DETAILS

REVISIONS

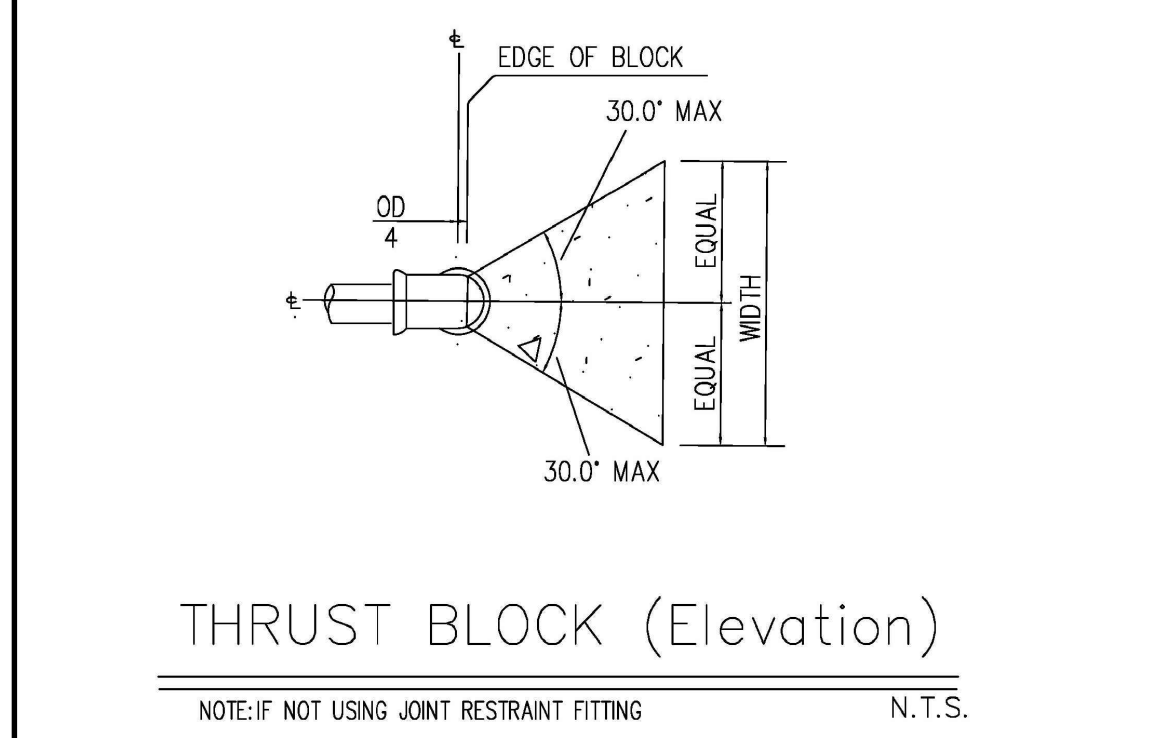
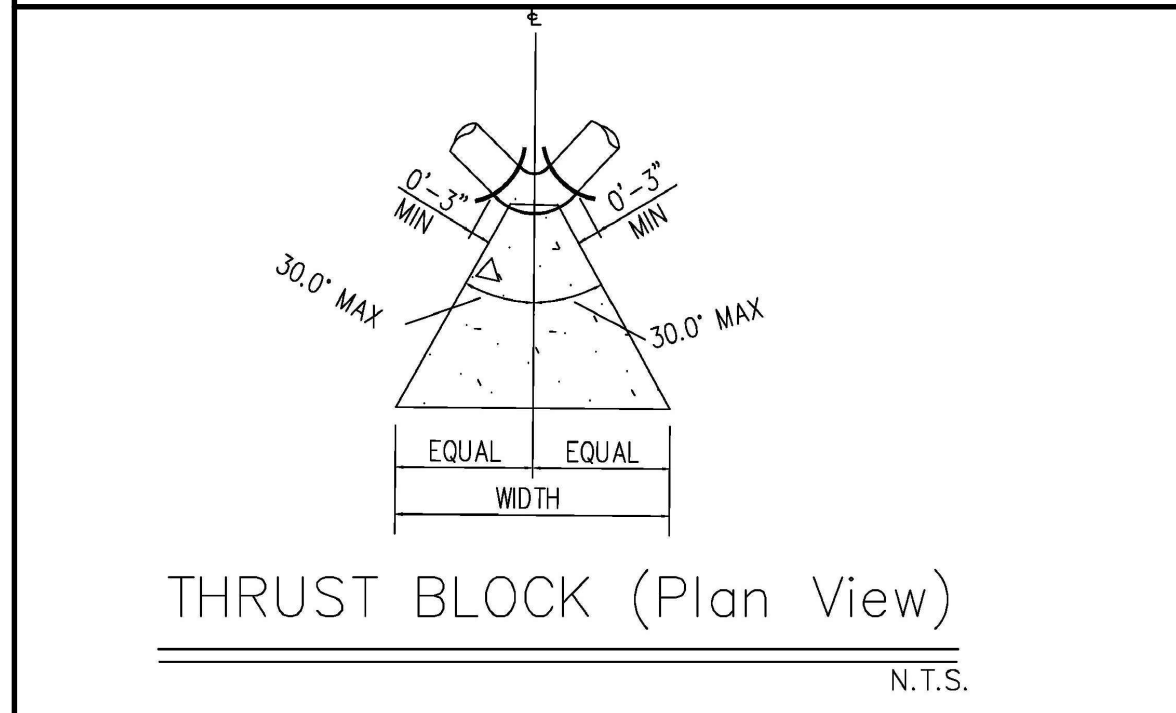
11-3-23	city, county, dcsd & pswd comments

11-3-23 city, county, dcsd & pswd comments

Developer / Owner:
JAFFR LLC, ASHLEY FANGMAN
 4010 CORKWOOD CT.
 COLUMBIA, MO 65203
 417-766-8874 - ashleyfangmann@gmail.com

WATER DETAILS

P+Z No. # 23-004744
Approval Date: July 6, 2023
City No. #
Page No. 18 of 21



THRUST BLOCK NOTES AND DIMENSIONS

NOTE: IF NOT USING JOINT RESTRAINT FITTING

PIPE SIZE	MINIMUM BEARING AREA (SQ. FT.) = WIDTH x DEPTH				HYD., TEE, CAP VALVE, PLUG
	90° BEND	45° BEND	22.5° BEND	11.25° BEND	
6	5	3	2	1	4
8	8	5	3	2	6
10	13	7	4	2	9
12	18	10	5	3	13

FIRE LINE DETAILS

KENNEDY VALVE
 RESILIENT WEDGE VALVES
 KENNEDY VALVE

KENNEDY VALVE AWWA C509 Resilient Wedge Gate Valves Meet or Exceed the Requirements of AWWA Standard C509 UL-262/FM-1120/1130 ULC-Underwriters' of Canada

Size Range	Water Working Pressure psi	Seat Test psi	Hydrostatic Shell Test psi
AWWA 2"-12"	250 Water Works	250 & 400	500
UL/FM 2"-12"	200 Fire Protection	250 & 400	500

Available in either non-rising stem or outside screw & yoke.

Figure No. (STD)

Available End Connections & Size Range	Figure No. (STD)	Seat Plate
Fig. End (NRS)	2" - 12"	8561ASS (3"-12")
M.J.	3" - 12" (except 2 1/2")	8571SS (3"-12")
Fig. & M.J.	3" - 12"	8572SS (3"-12")
Push-on for PVC (SDR)	2" - 8"	8597SS (3"-4")
Fig. End (OS&Y)	2" - 12"	8598A
M.J. for Tapping	4" - 12"	8598SS
Push-on for D.I. & C900 PVC	4" - 12"	8591SS
M.J. Cutting-in	4" - 12"	8576SS
Push-on D.I. X Flg.	4" - 12"	8602SS
Threaded	2" - 3"	8607SS
Threaded (OS&Y)	2" - 3"	8607SS

Accessories:
 Indicator Flats
 Handwheels
 "T" Handles
 Extension Stems
 Stem Guides
 2" Sq. Operating Nuts
 Floorstands (non-rising stem)

NOTE: 2" OS&Y Flanged and Threaded versions are UL Listed

NSF
 Certified to NSF/ANSI 61
 NSF-ANSI 52

091713 Kennedy Valve/KS-FW C509 3-1

EBAY IRON MEGA-COUPLING®
 Series 3800
 Restrained Coupling

Features and Applications:
 For use on:
 • Ductile Iron Pipe, 4 in. - 54 in.
 • C900 or ASTM A2041 PVC Pipe, 4 in. - 12 in.
 • C905 PVC Pipe, 14 in. - 36 in.
 • Carbon Steel Pipe, 4 in. - 12 in.
 • HDPE Pipe, 4 in. - 12 in.

Minimum 2 to 1 Safety Factor

MEGA-BOND® Restraint Coating System
 For more information regarding MEGA-BOND, refer to our web site at www.ebay.com

Constructed of:
 • Restraint Rings - ASTM A536 Ductile Iron (DI)
 • Coupling Sleeve - 4" - 12 in., ASTM A536 DI
 • Coupling Sleeve - 14 in. and greater, Carbon Steel
 • Double Ended Threaded Rods in Flute - Corrosion Resistant, low alloy, high strength steel per ANSI/AWS C122/A22.11

Couplings meet or exceeds the applicable requirements of:
 • AWWA C219
 • ASTM A536
 • ANSI/AWWA C111/A21.11
 • ASTM D2000

For use on water or wastewater pipelines subject to hydrostatic pressure and tested in accordance with either AWWA C200 or ASTM D2074.

Force experienced due to expansion/contraction of the pipe require special consideration.

For use on water or wastewater pipelines subject to hydrostatic pressure and tested in accordance with either AWWA C200 or ASTM D2074.

Nominal	Length	Weight	HDPE Pipe												C905 PVC Pipe		C901 PVC Pipe	
			4"	6"	8"	10"	12"	14"	16"	18"	20"	24"	30"	36"	42"	48"	54"	
4	200	45.40	100	110	120	130	140	150	160	170	180	190	200	210	220	230	240	250
6	200	45.40	100	110	120	130	140	150	160	170	180	190	200	210	220	230	240	250
8	200	47.90	100	110	120	130	140	150	160	170	180	190	200	210	220	230	240	250
10	200	48.40	100	110	120	130	140	150	160	170	180	190	200	210	220	230	240	250
12	200	50.90	100	110	120	130	140	150	160	170	180	190	200	210	220	230	240	250
14	204	187.10	200	-	-	-	-	-	-	-	-	-	-	220	240	260	280	300
16	204	193.90	200	-	-	-	-	-	-	-	-	-	-	220	240	260	280	300
18	204	201.60	200	-	-	-	-	-	-	-	-	-	-	220	240	260	280	300
20	202	229.90	200	-	-	-	-	-	-	-	-	-	-	220	240	260	280	300
24	204	242.20	200	-	-	-	-	-	-	-	-	-	-	240	260	280	300	320
30	200	440.00	150	-	-	-	-	-	-	-	-	-	-	140	150	160	170	180
36	200	694.90	100	-	-	-	-	-	-	-	-	-	-	120	130	140	150	160
42	202	1,219.40	200	-	-	-	-	-	-	-	-	-	-	140	150	160	170	180
48	204	1,446.30	150	-	-	-	-	-	-	-	-	-	-	140	150	160	170	180
54	204	1,844.00	200	-	-	-	-	-	-	-	-	-	-	140	150	160	170	180

Special Notes For Use On HDPE Pipe
 For use on 4 inch through 12 inch HDPE only. The use of a pipe wall stiffening insert is required for use on HDPE pipe. The stiffeners must be sized to encompass the entire bearing length of the restraint device. Pipe systems must be engineered to prevent movement causing fitting to slide or rotate.

EBAY products for HDPE are designed for underground pressurized fluid service and are pressure rated to match the pipe SDR pressure rating, derated as appropriate for service temperature. Maximum test pressure limited to pipe rated pressure.

Copyright 2017 © EBAY IRON, Inc.

