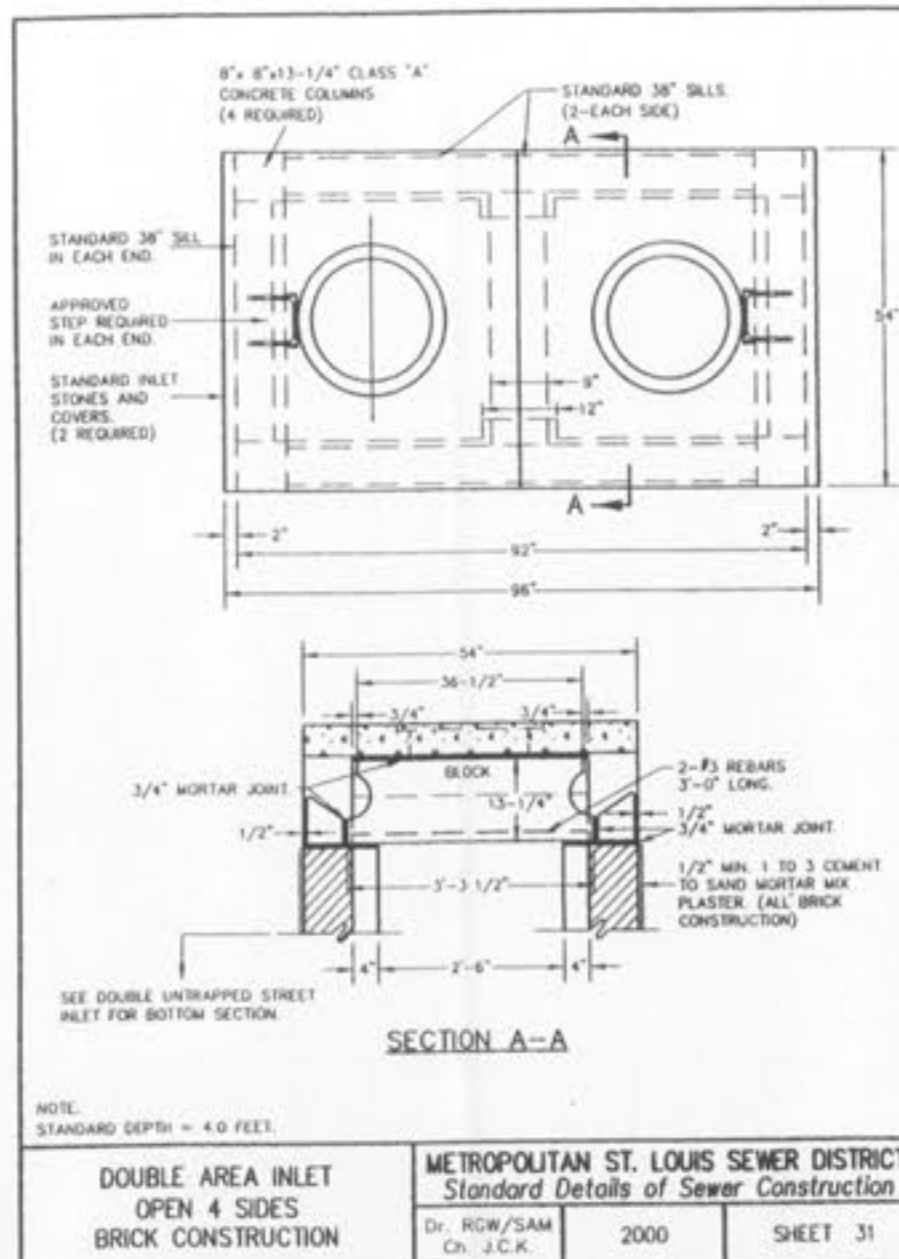
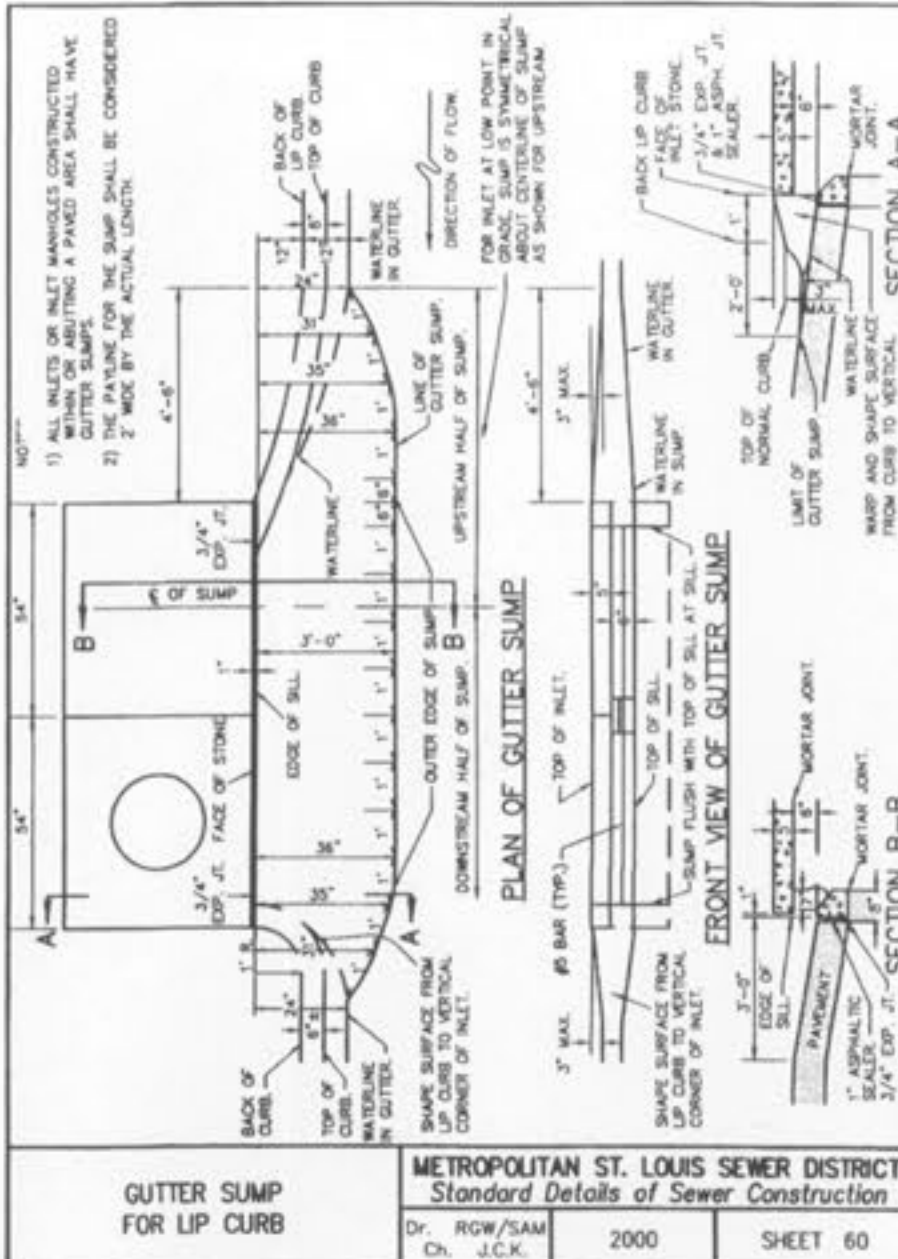


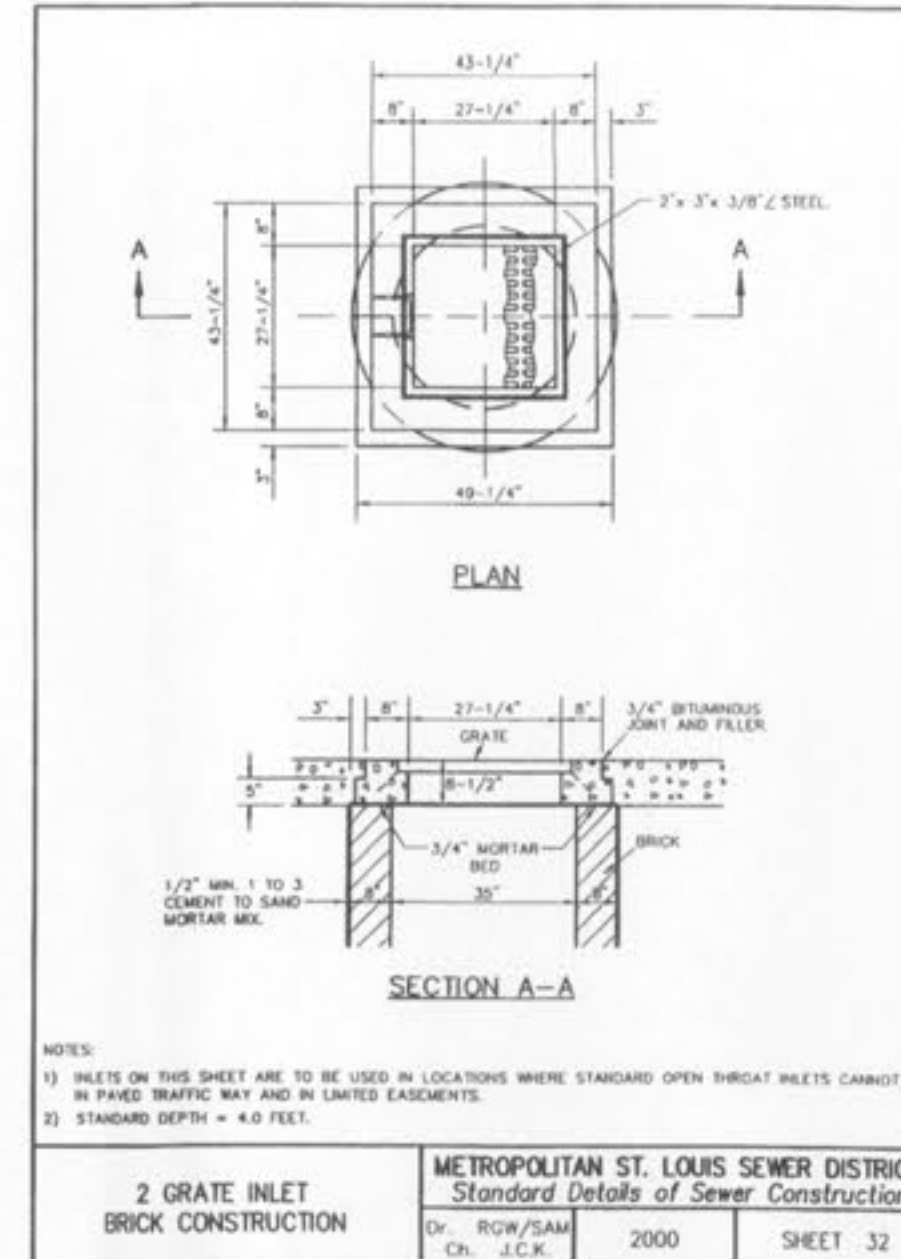
AREA INLET MANHOLE (12" THRU 24")
 METROPOLITAN ST. LOUIS SEWER DISTRICT
 Standard Details of Sewer Construction
 Dr. ROW/SAM Ch. J.C.K. 2000 SHEET 30



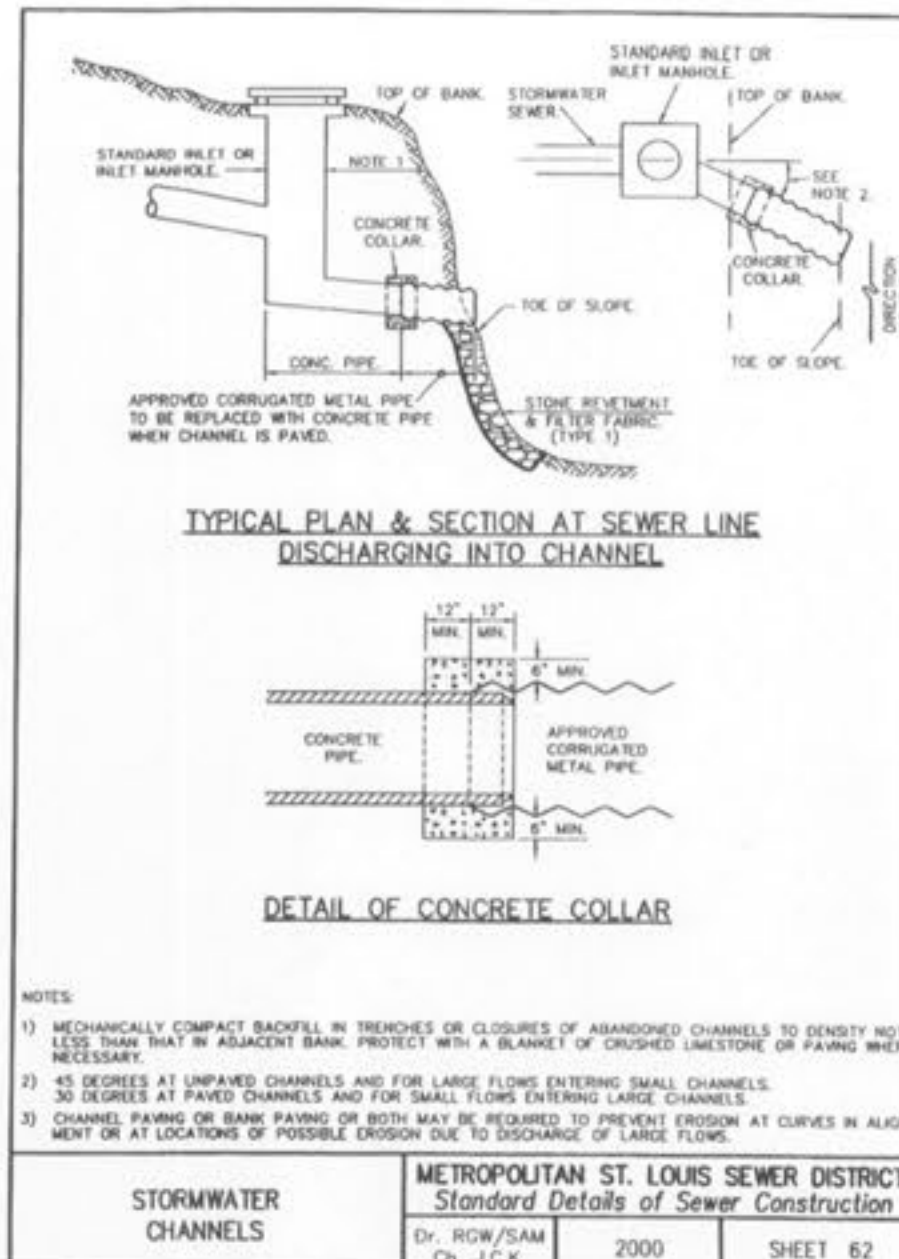
DOUBLE AREA INLET OPEN 4 SIDES BRICK CONSTRUCTION
 METROPOLITAN ST. LOUIS SEWER DISTRICT
 Standard Details of Sewer Construction
 Dr. ROW/SAM Ch. J.C.K. 2000 SHEET 31



GUTTER SUMP FOR LIP CURB
 METROPOLITAN ST. LOUIS SEWER DISTRICT
 Standard Details of Sewer Construction
 Dr. ROW/SAM Ch. J.C.K. 2000 SHEET 60



2 GRATE INLET BRICK CONSTRUCTION
 METROPOLITAN ST. LOUIS SEWER DISTRICT
 Standard Details of Sewer Construction
 Dr. ROW/SAM Ch. J.C.K. 2000 SHEET 32



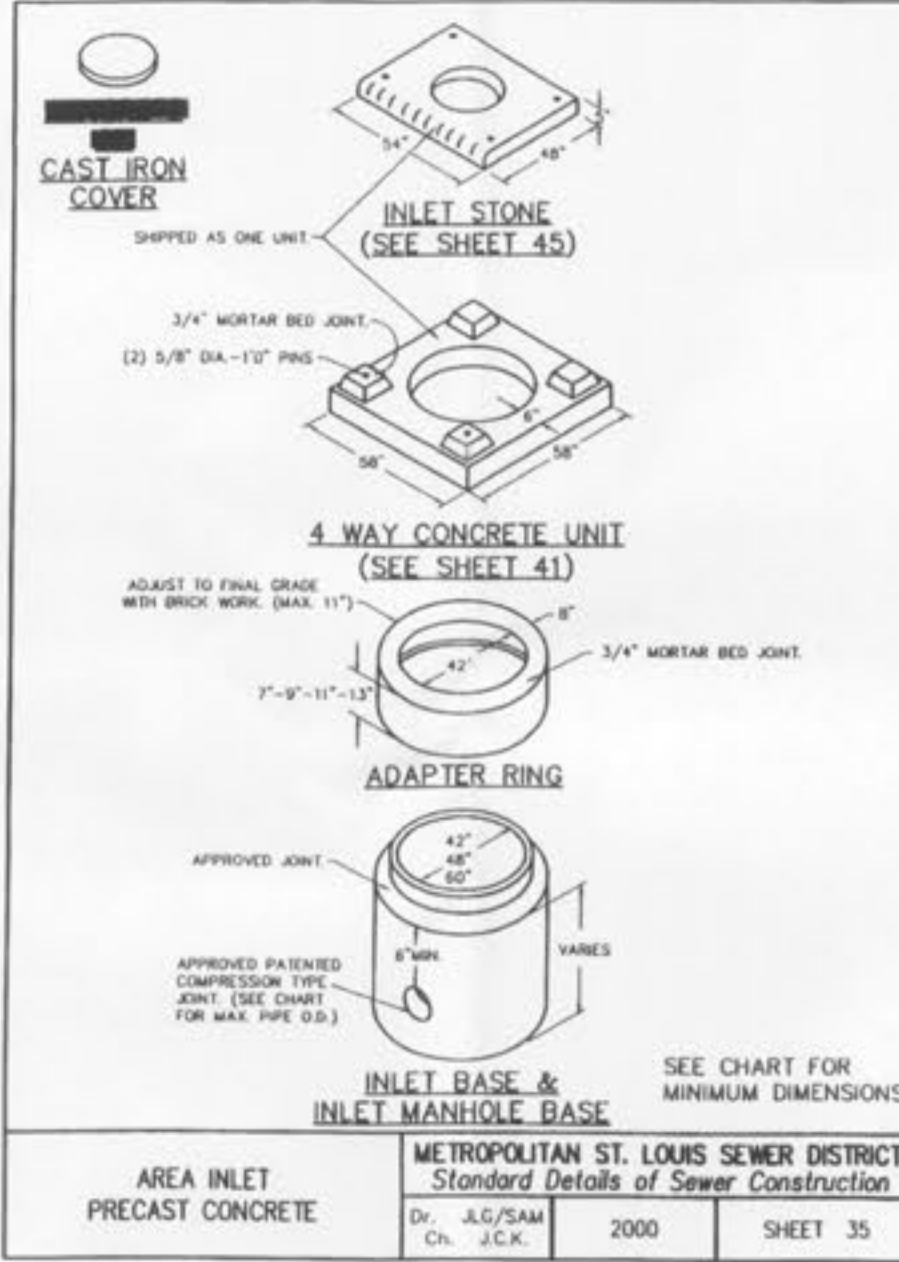
STORMWATER CHANNELS
 METROPOLITAN ST. LOUIS SEWER DISTRICT
 Standard Details of Sewer Construction
 Dr. ROW/SAM Ch. J.C.K. 2000 SHEET 62

PRECAST CONCRETE STORMWATER STRUCTURES
 MINIMUM DISTANCE FLOWLINE TO TOP OF STONE OR GRATE

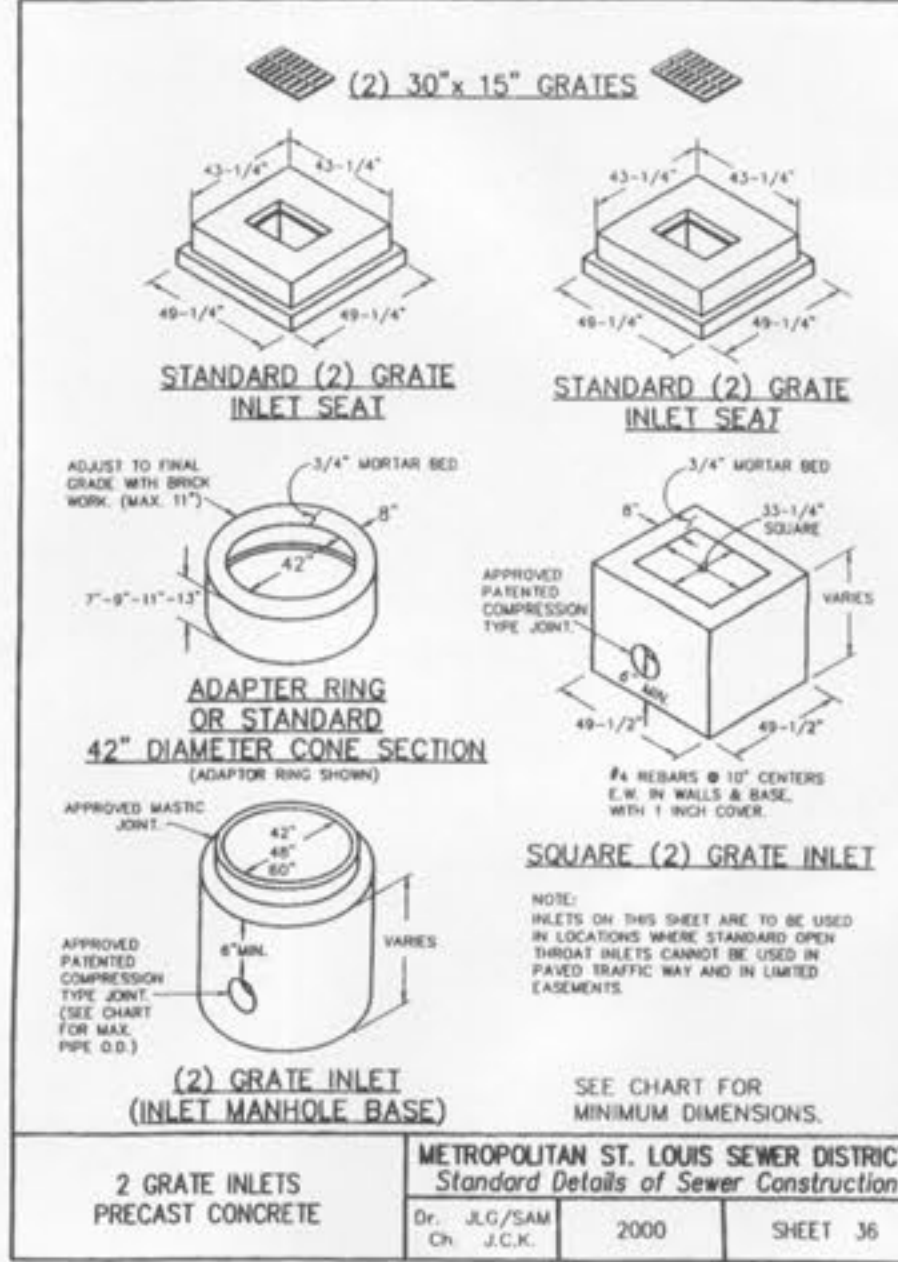
PIPE I.D. NOMINAL INCHES	AREA INLET CIRCULAR BASE DIA.		(2) GRATE INLET SQUARE CIRCULAR BASE DIA. RECTANGLE		SINGLE STREET INLET CIRCULAR BASE DIA. RECTANGLE	
	12"	15"	18"	21"	24"	30"
12"	18"	21"	24"	30"	36"	42"
15"	21"	24"	27"	33"	39"	45"
18"	24"	27"	30"	36"	42"	48"
21"	27"	30"	33"	39"	45"	51"
24"	30"	33"	36"	42"	48"	54"
27"	33"	36"	39"	45"	51"	57"
30"	36"	39"	42"	48"	54"	60"
33"	39"	42"	45"	51"	57"	63"

(SEE SHEET 35 FOR DETAILS) (SEE SHEET 36 FOR DETAILS) (SEE SHEET 37 FOR DETAILS)

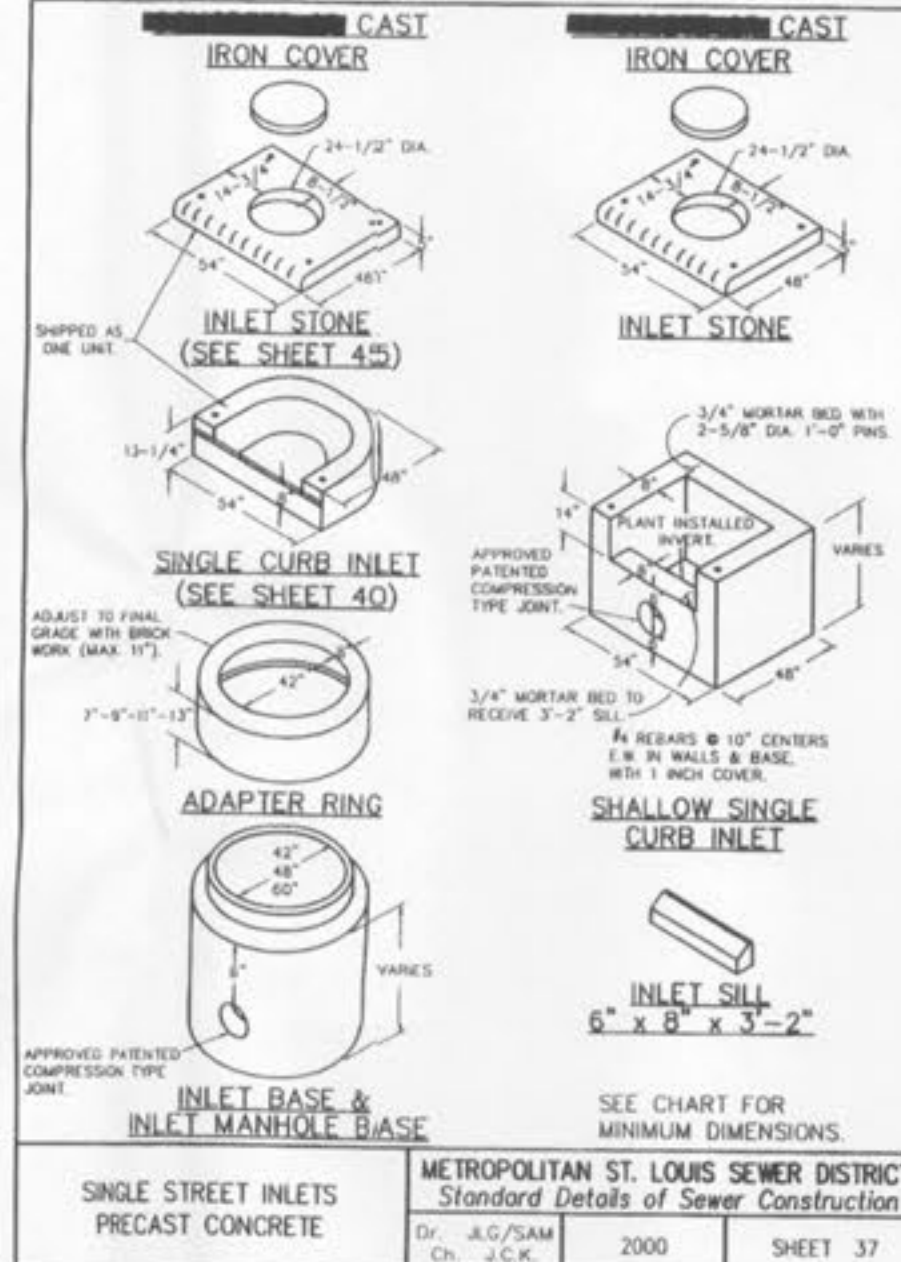
PRECAST CONCRETE STORMWATER STRUCTURES
 METROPOLITAN ST. LOUIS SEWER DISTRICT
 Standard Details of Sewer Construction
 Dr. J.L.G. Ch. J.C.K. 2000 SHEET 34



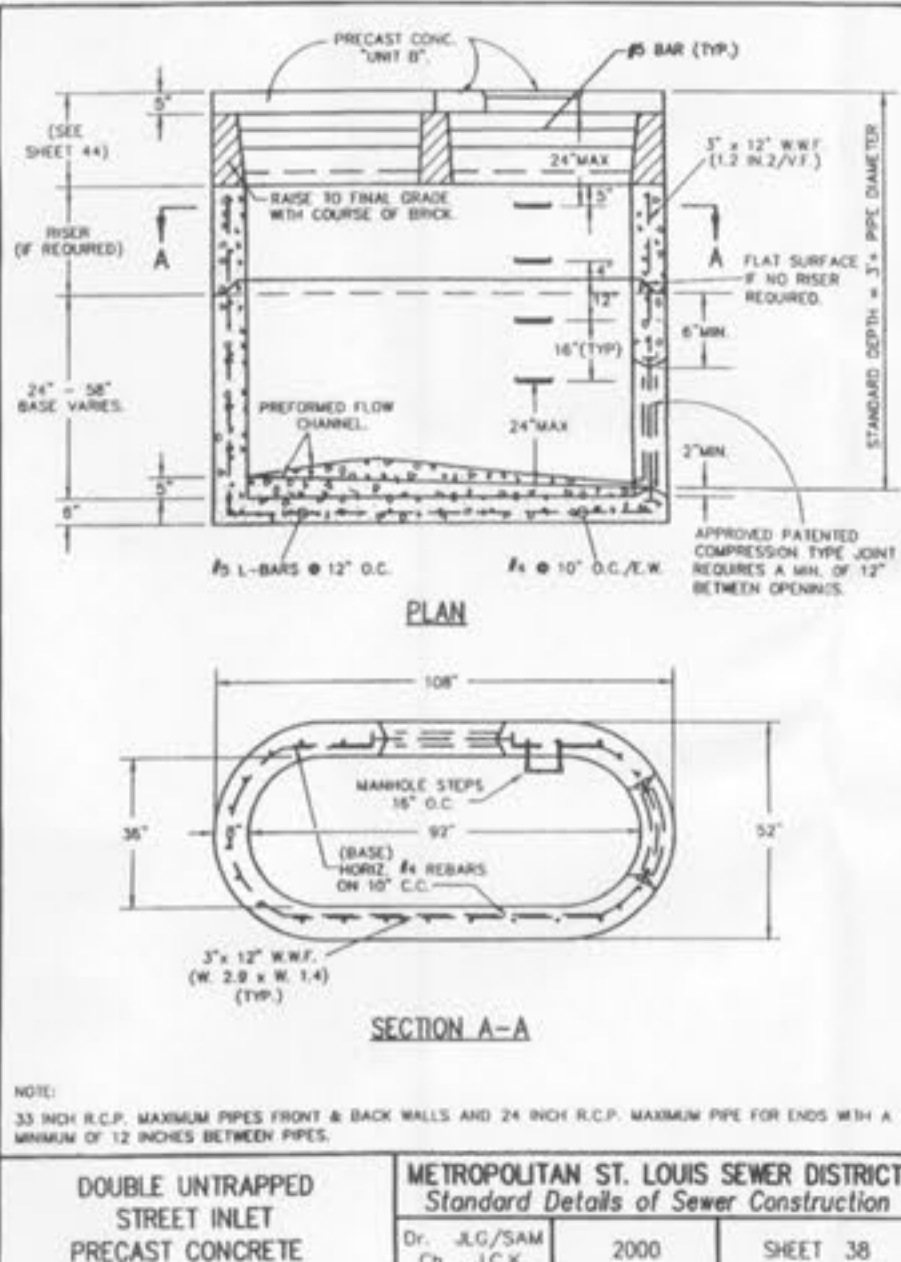
AREA INLET PRECAST CONCRETE
 METROPOLITAN ST. LOUIS SEWER DISTRICT
 Standard Details of Sewer Construction
 Dr. J.L.G./SAM Ch. J.C.K. 2000 SHEET 35



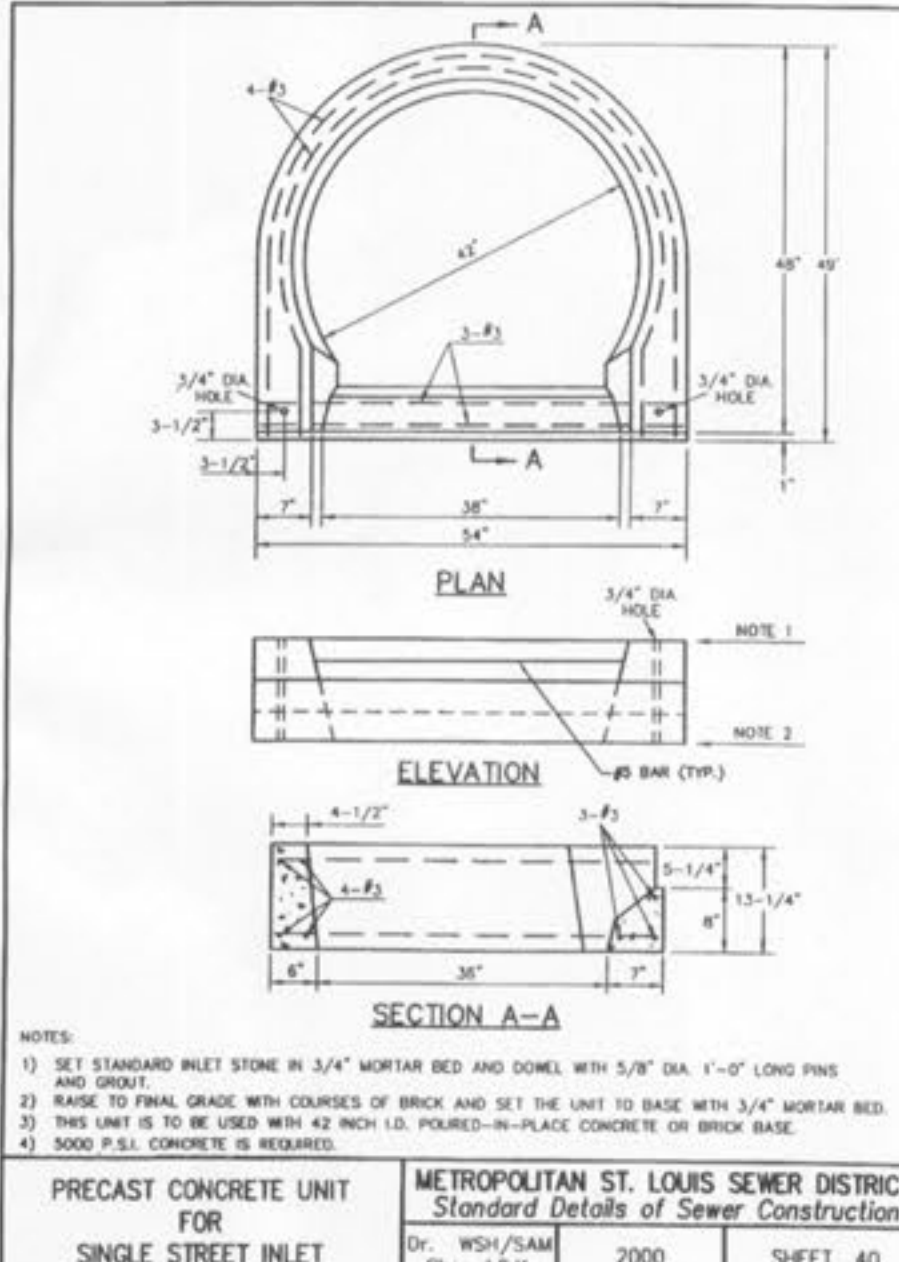
2 GRATE INLETS PRECAST CONCRETE
 METROPOLITAN ST. LOUIS SEWER DISTRICT
 Standard Details of Sewer Construction
 Dr. J.L.G./SAM Ch. J.C.K. 2000 SHEET 36



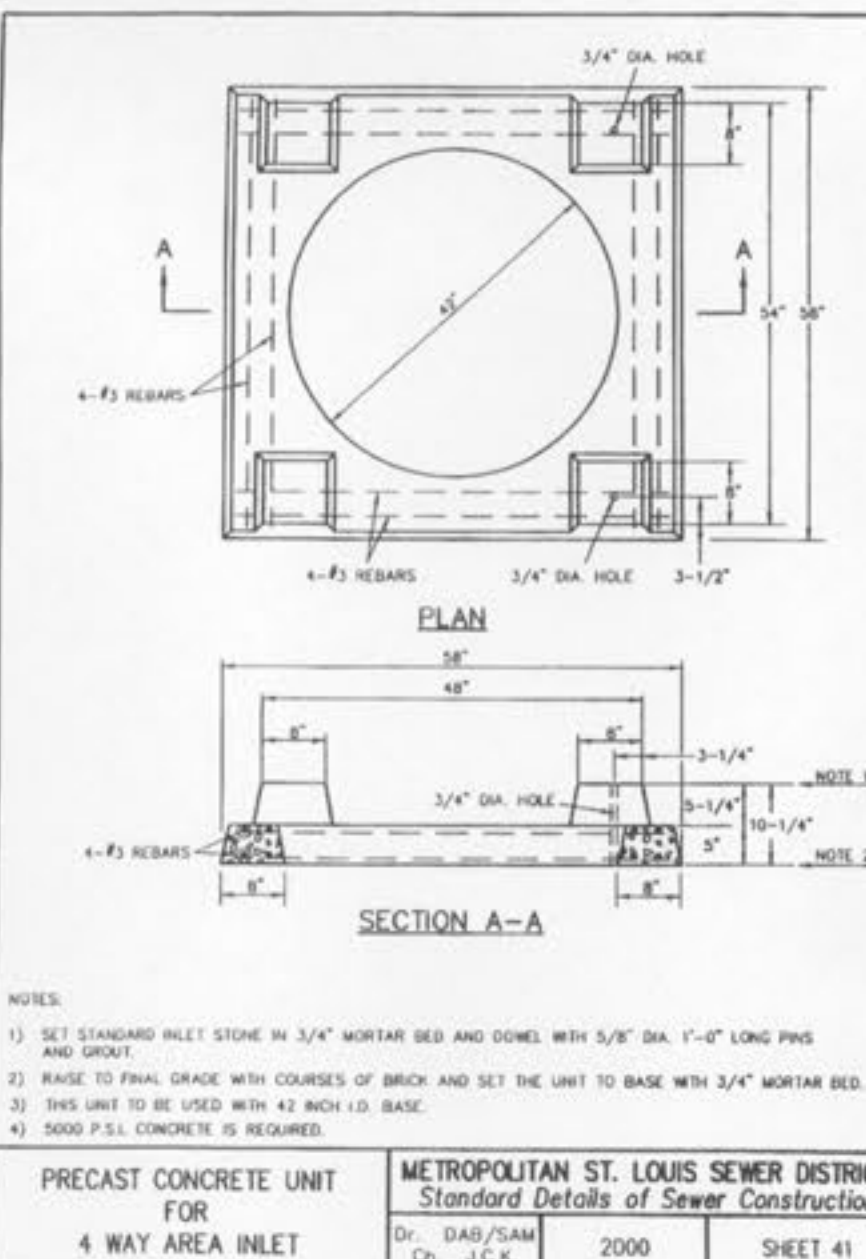
SINGLE STREET INLETS PRECAST CONCRETE
 METROPOLITAN ST. LOUIS SEWER DISTRICT
 Standard Details of Sewer Construction
 Dr. J.L.G./SAM Ch. J.C.K. 2000 SHEET 37



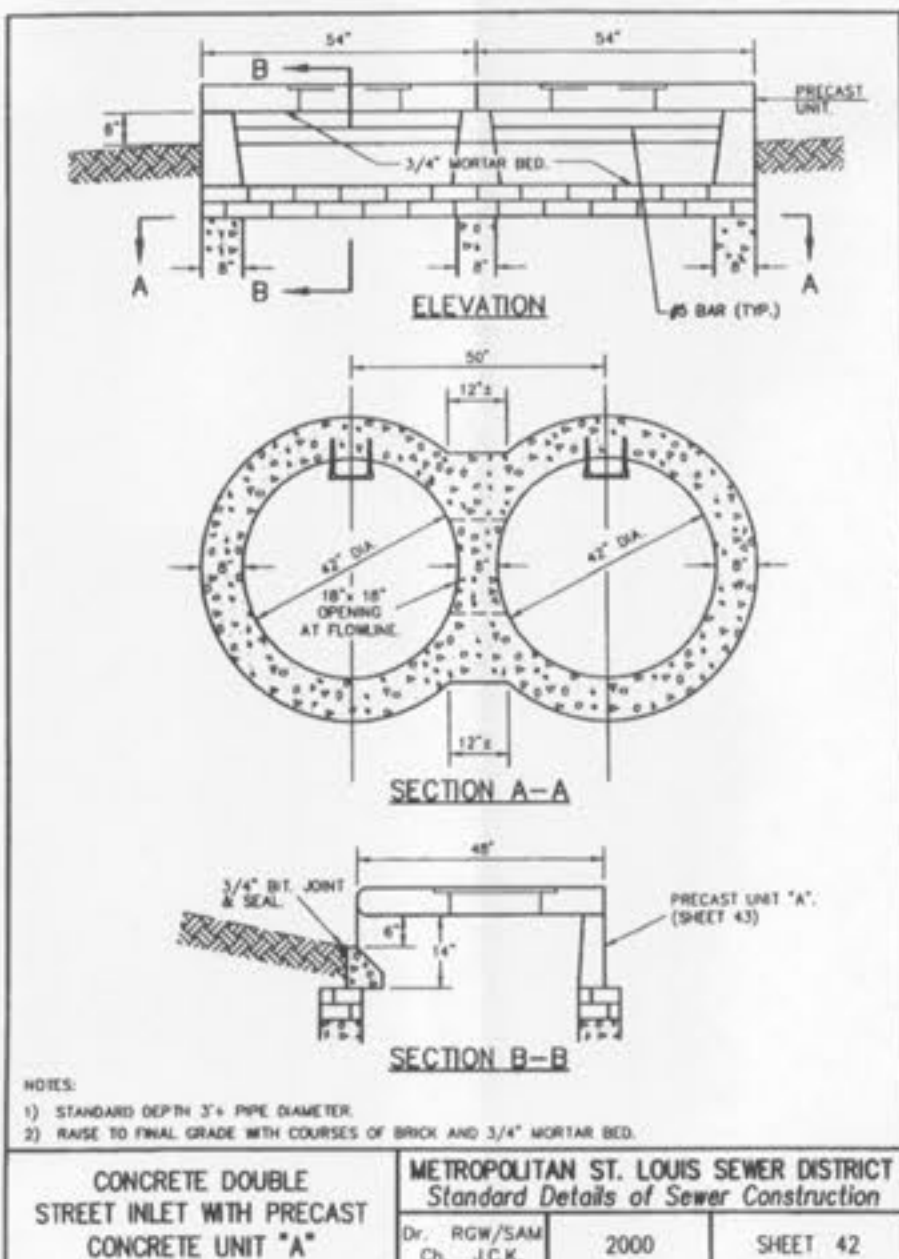
DOUBLE UNTRAPPED STREET INLET PRECAST CONCRETE
 METROPOLITAN ST. LOUIS SEWER DISTRICT
 Standard Details of Sewer Construction
 Dr. J.L.G./SAM Ch. J.C.K. 2000 SHEET 38



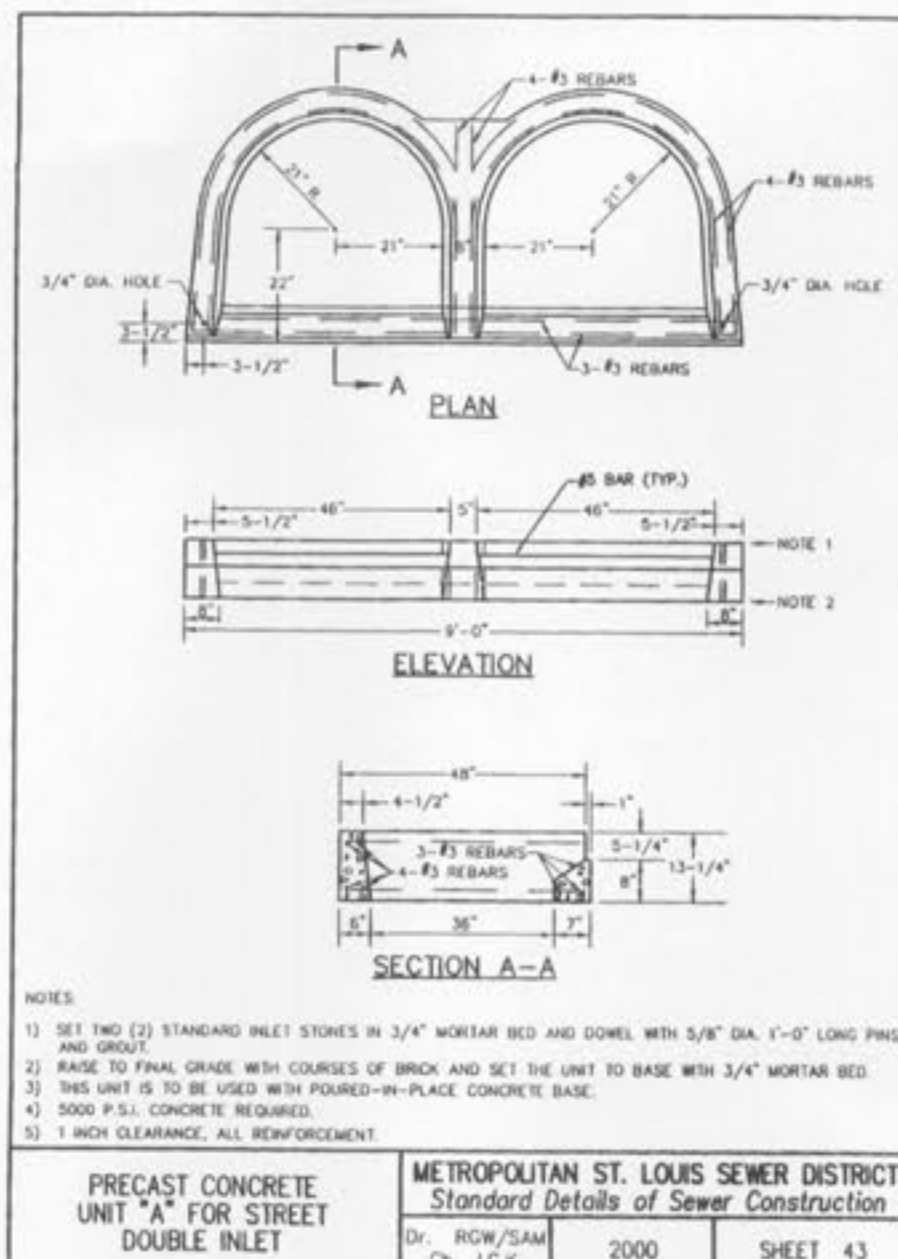
PRECAST CONCRETE UNIT FOR SINGLE STREET INLET
 METROPOLITAN ST. LOUIS SEWER DISTRICT
 Standard Details of Sewer Construction
 Dr. J.L.G./SAM Ch. J.C.K. 2000 SHEET 40



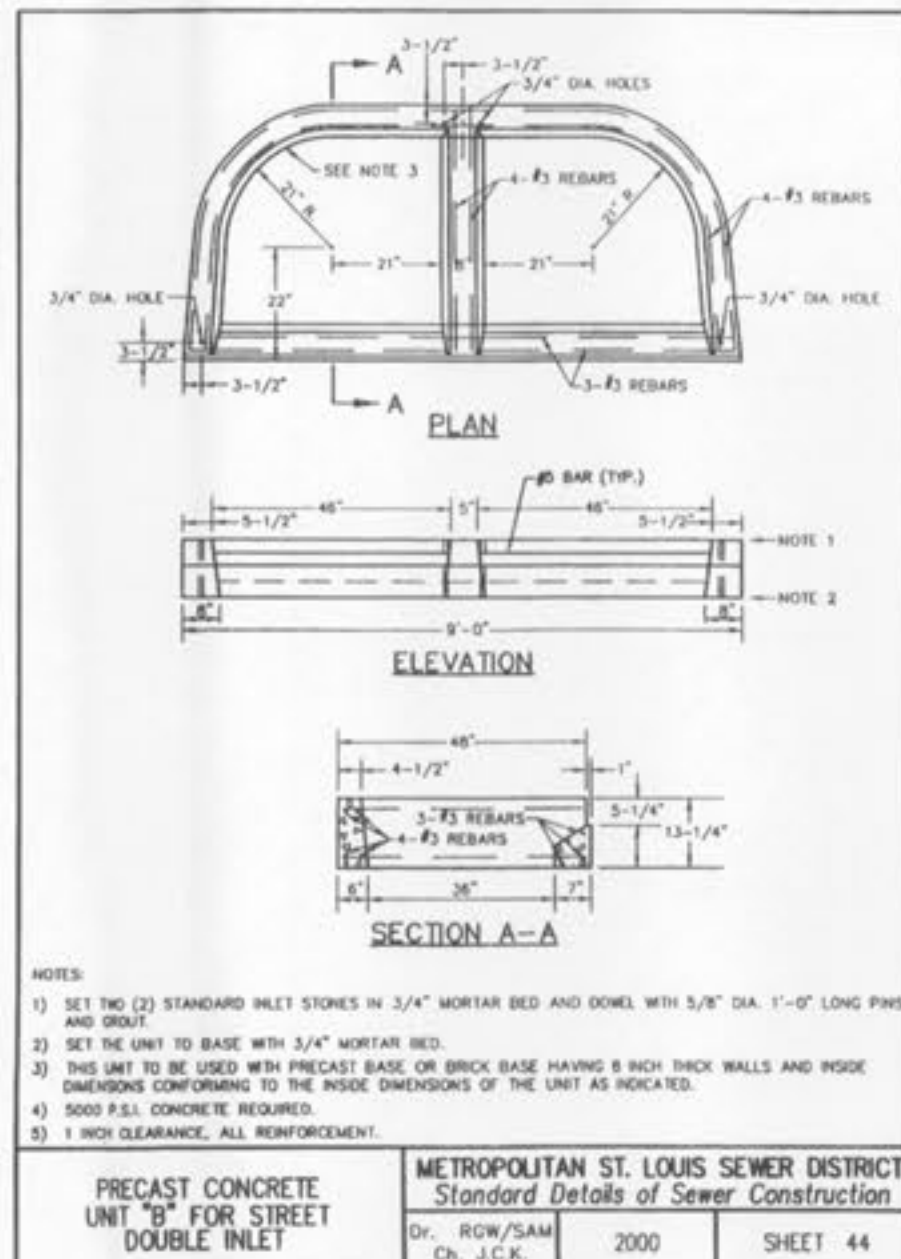
PRECAST CONCRETE UNIT FOR 4 WAY AREA INLET
 METROPOLITAN ST. LOUIS SEWER DISTRICT
 Standard Details of Sewer Construction
 Dr. DAB/SAM Ch. J.C.K. 2000 SHEET 41



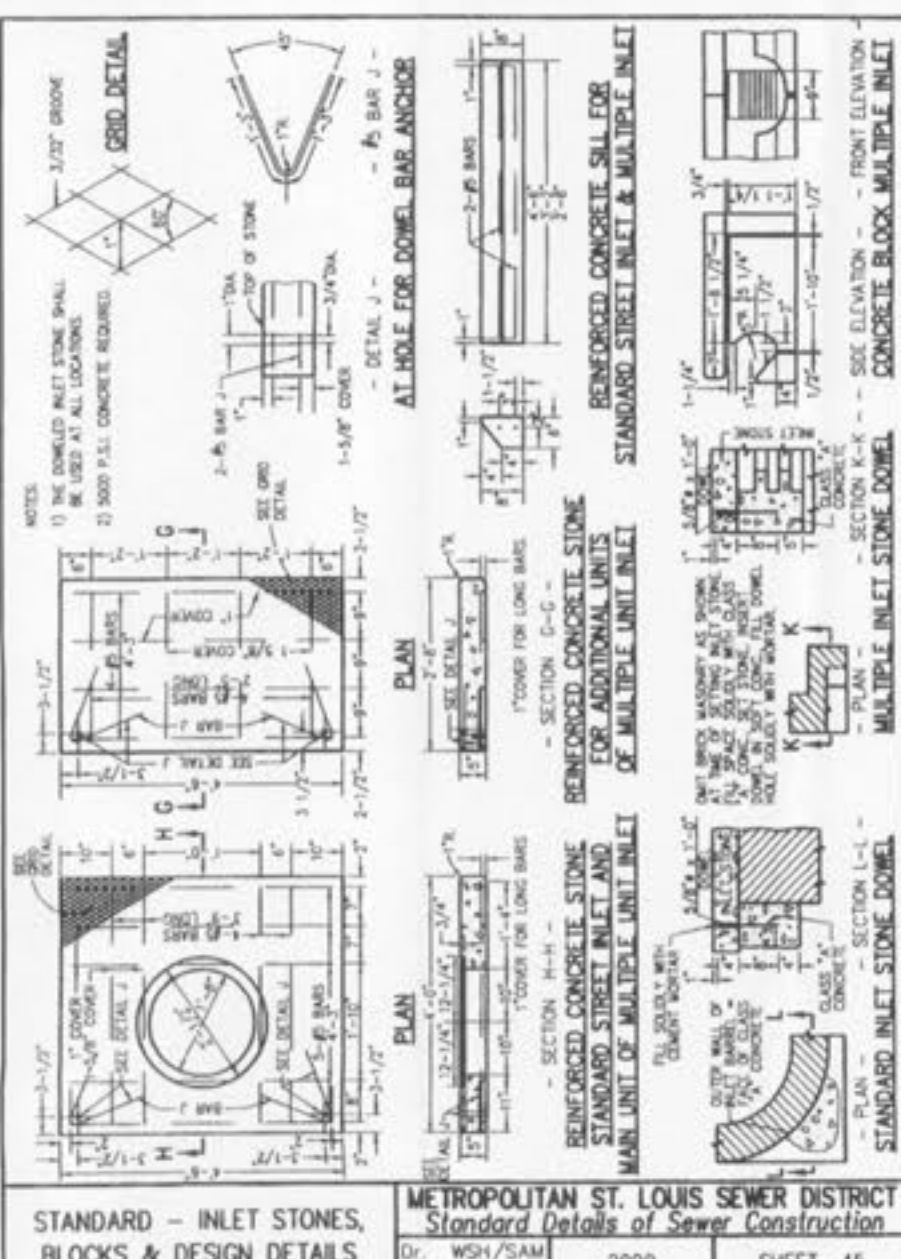
CONCRETE DOUBLE STREET INLET WITH PRECAST CONCRETE UNIT 'A'
 METROPOLITAN ST. LOUIS SEWER DISTRICT
 Standard Details of Sewer Construction
 Dr. ROW/SAM Ch. J.C.K. 2000 SHEET 42



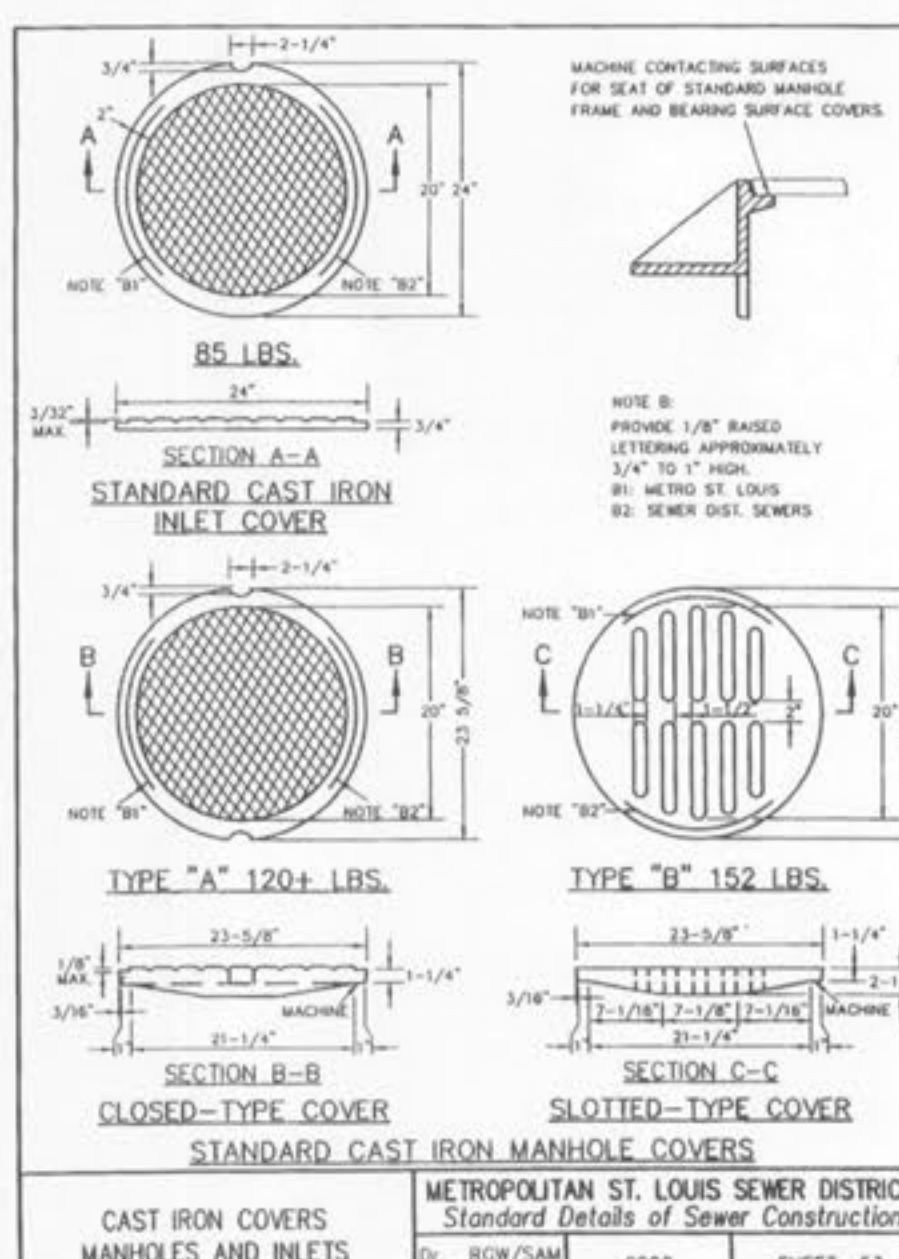
PRECAST CONCRETE UNIT 'A' FOR STREET DOUBLE INLET
 METROPOLITAN ST. LOUIS SEWER DISTRICT
 Standard Details of Sewer Construction
 Dr. ROW/SAM Ch. J.C.K. 2000 SHEET 43



PRECAST CONCRETE UNIT 'B' FOR STREET DOUBLE INLET
 METROPOLITAN ST. LOUIS SEWER DISTRICT
 Standard Details of Sewer Construction
 Dr. ROW/SAM Ch. J.C.K. 2000 SHEET 44



STANDARD - INLET STONES, BLOCKS & DESIGN DETAILS
 METROPOLITAN ST. LOUIS SEWER DISTRICT
 Standard Details of Sewer Construction
 Dr. J.C.K. 2000 SHEET 45



CAST IRON COVERS MANHOLES AND INLETS
 METROPOLITAN ST. LOUIS SEWER DISTRICT
 Standard Details of Sewer Construction
 Dr. ROW/SAM Ch. J.C.K. 2000 SHEET 53

NOTE: ADD #5 BAR TO THE THROAT OF ALL INLETS.

STORM SEWER DETAILS FOR CHRISTIAN BROTHERS AUTOMOTIVE

ST. CHARLES ENGINEERING & SURVEYING, INC.
 801 S. FIFTH STREET, SUITE 202
 ST. CHARLES, MO 63301
 TEL: (636) 947-0607 FAX: (636) 947-2448



ORDER NO. 08-0648-01
 DATE 02-20-09
 D-3