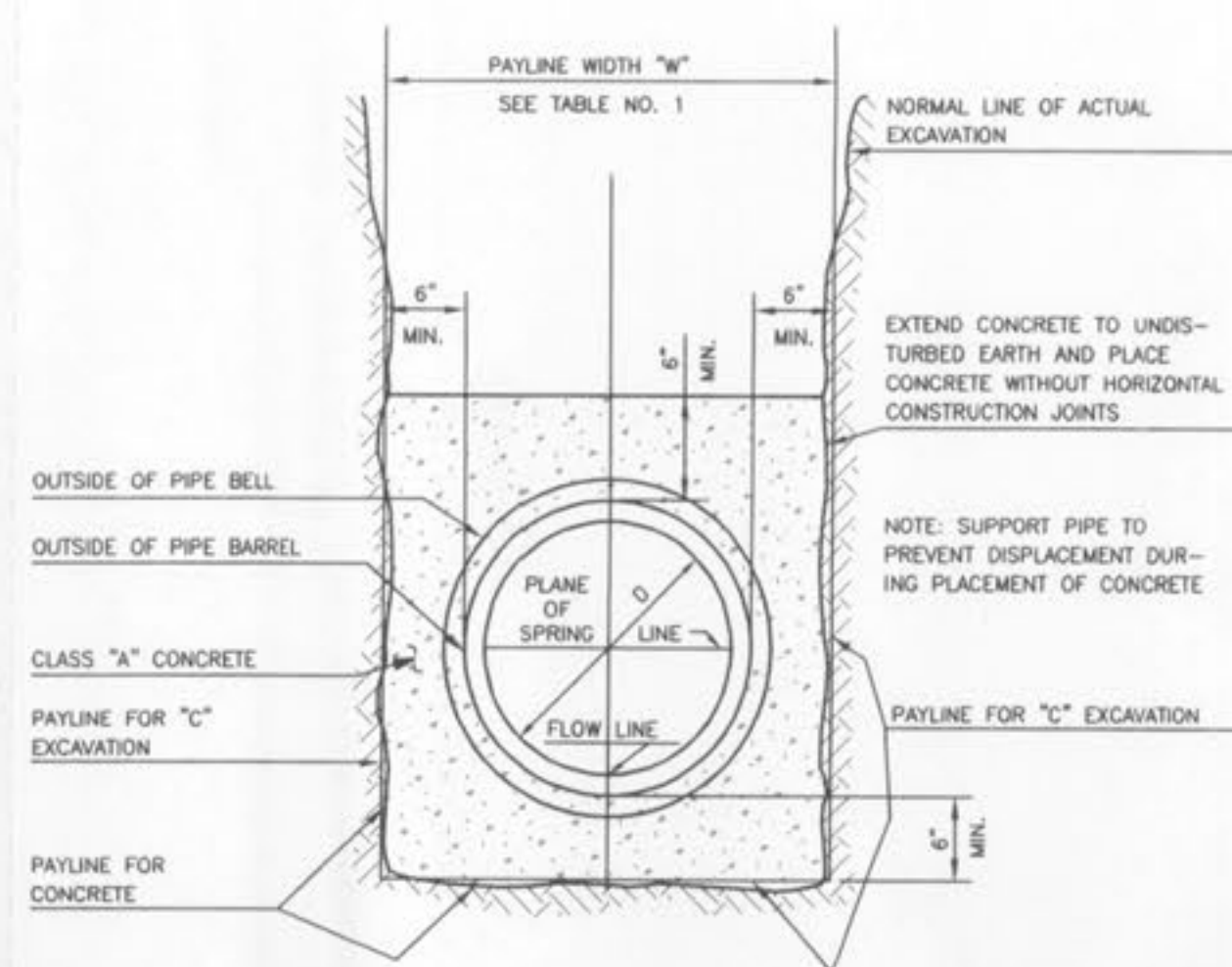
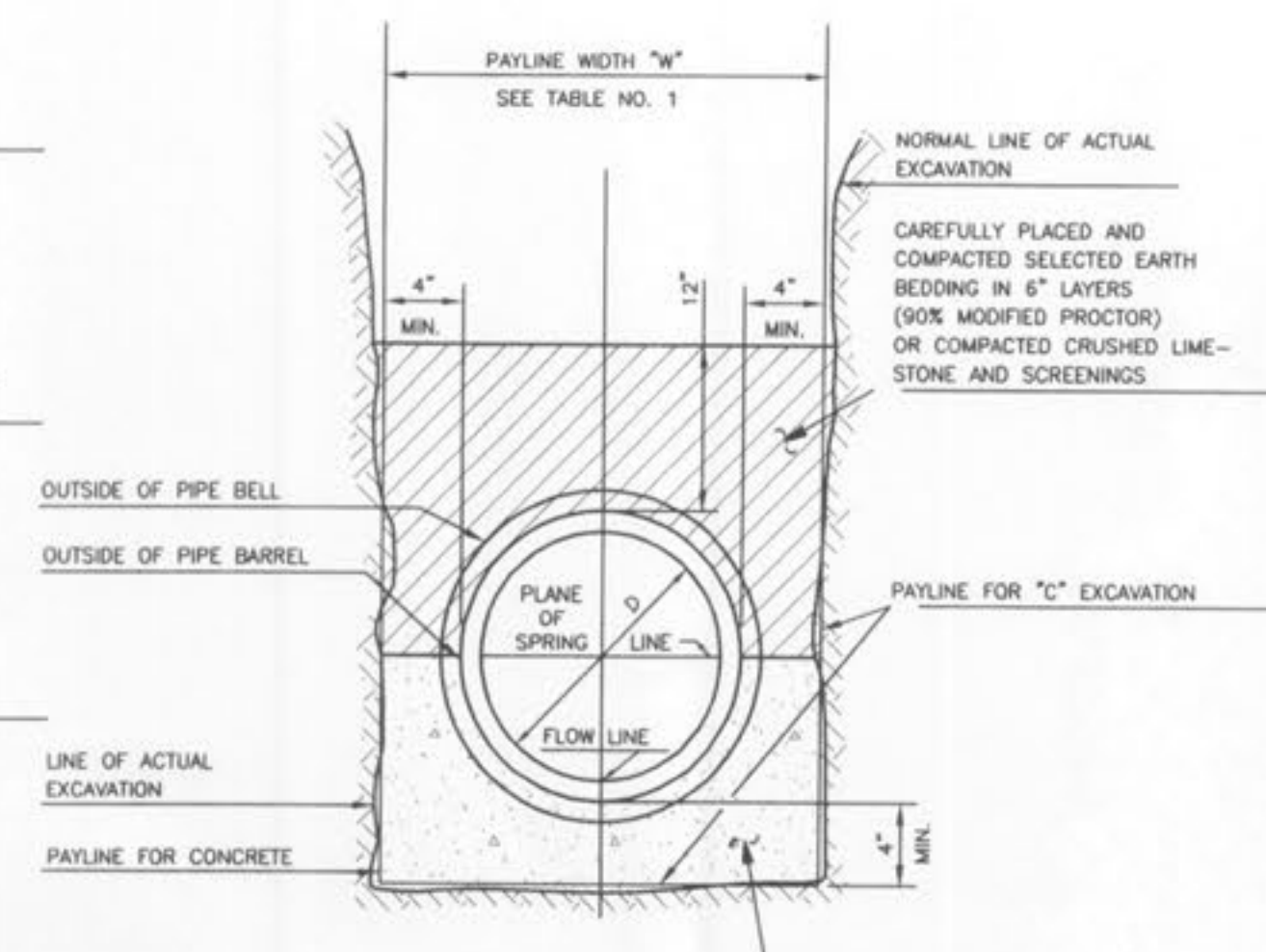


PIPE BEDDING CLASS "C"  
(FOR ALL PIPE EXCEPT  
REINFORCED CONCRETE PIPE)

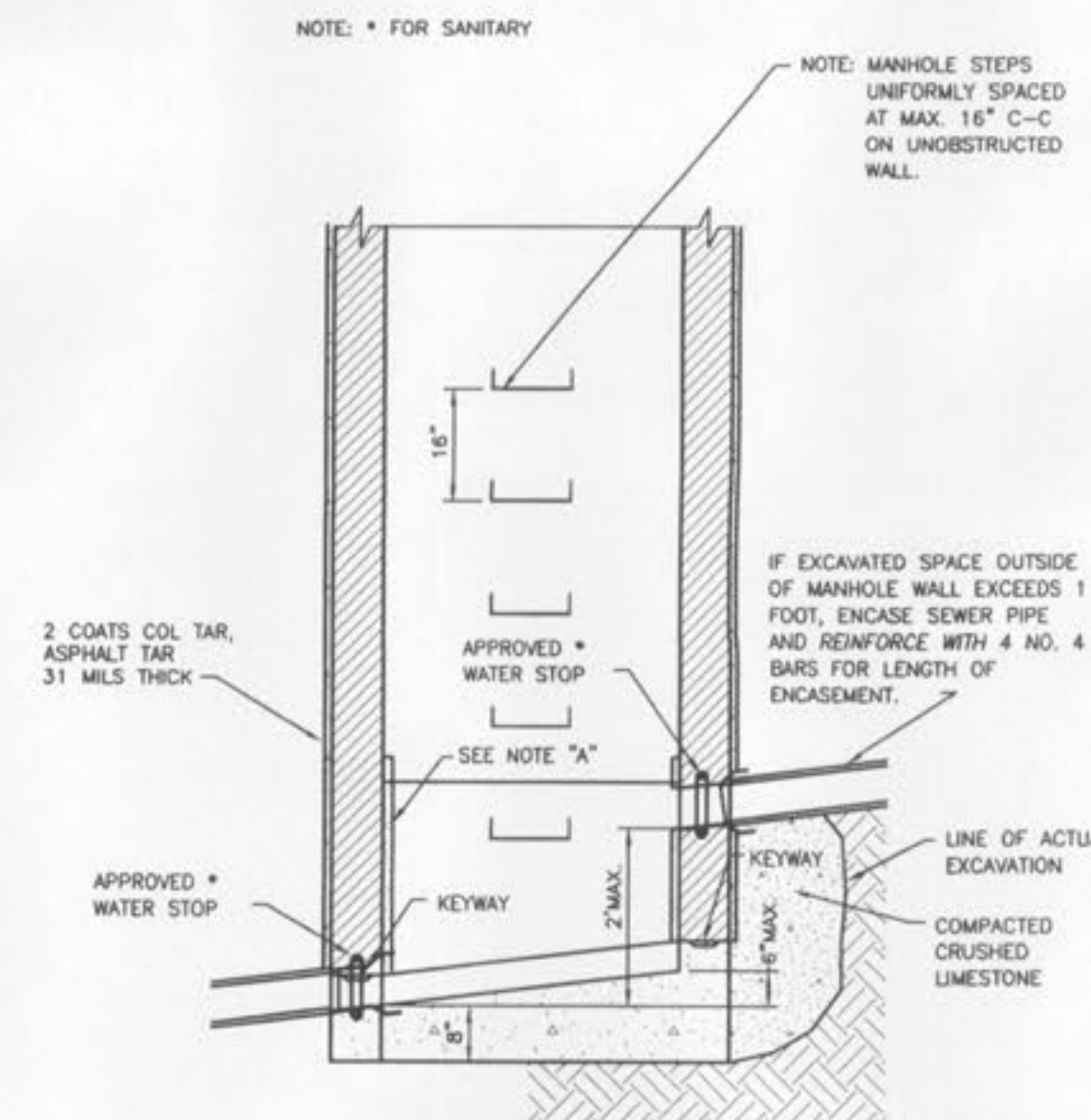


CONCRETE ENCASEMENT

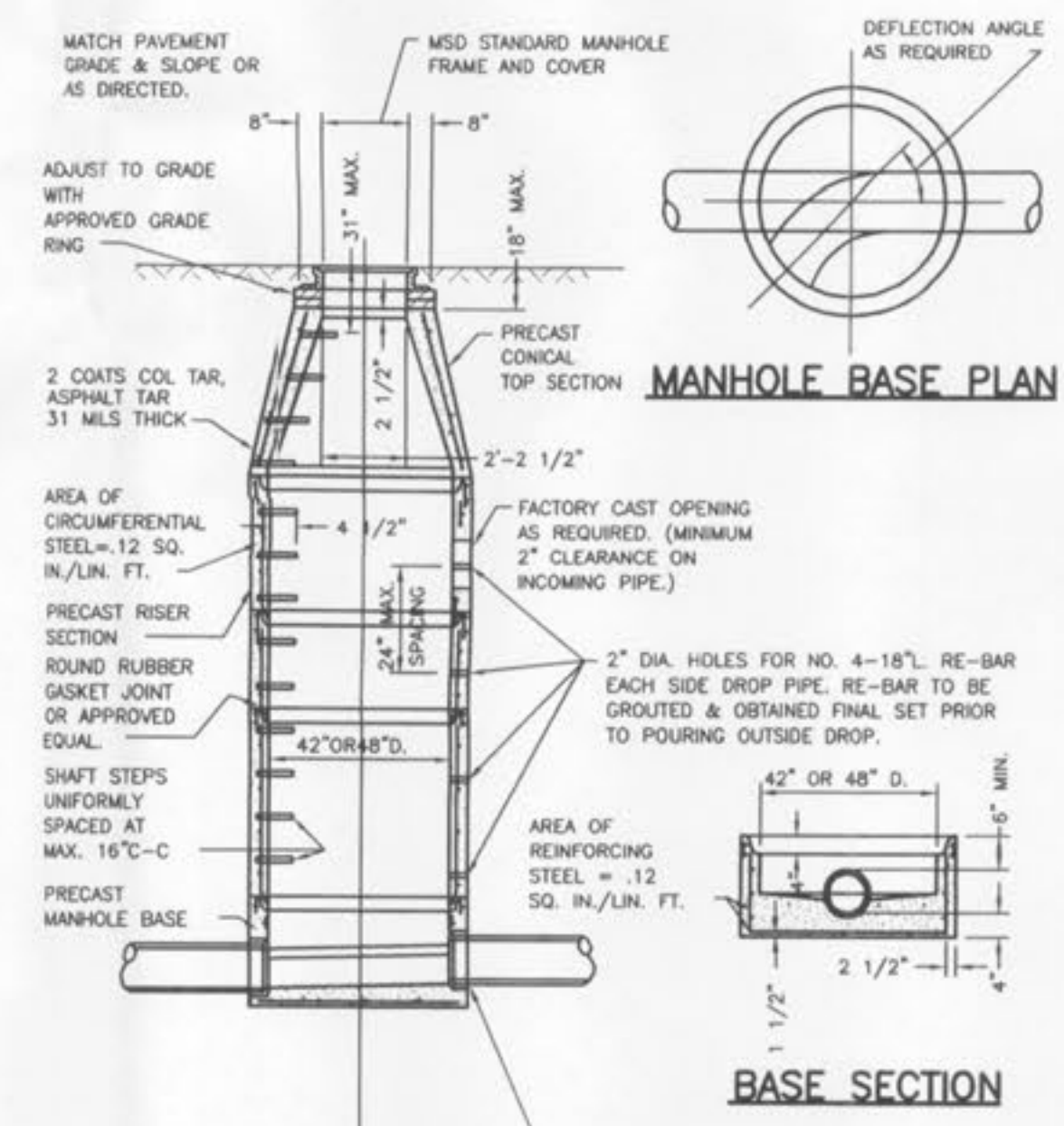


( CLASS "A" BEDDING )  
CONCRETE CRADLE

ALSO FOR PIPE SEWERS ON GRADES 25% TO 50% INCLUSIVE. FOR GRADES EXCEEDING 50% SEE PROJECT SPECIFICATIONS.  
CLASS "A" CONCRETE FOR PLASTIC PIPE USE CONCRETE COLLARS TWO FEET LONG AND SIX INCHES THICK EVERY TWELVE FEET ADJACENT TO AND DOWN STREAM OF BELLS. (IN LIEU OF CONC. CRADLE)

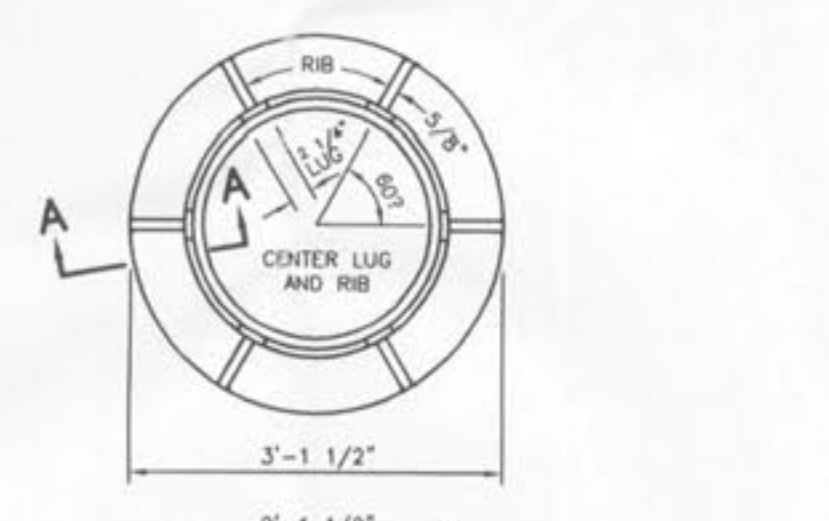


INSIDE DROP  
(8" THRU 24" DIA. PIPE)



PRE-CAST CONCRETE MANHOLE  
FOR SEWERS  
8" THROUGH 12"

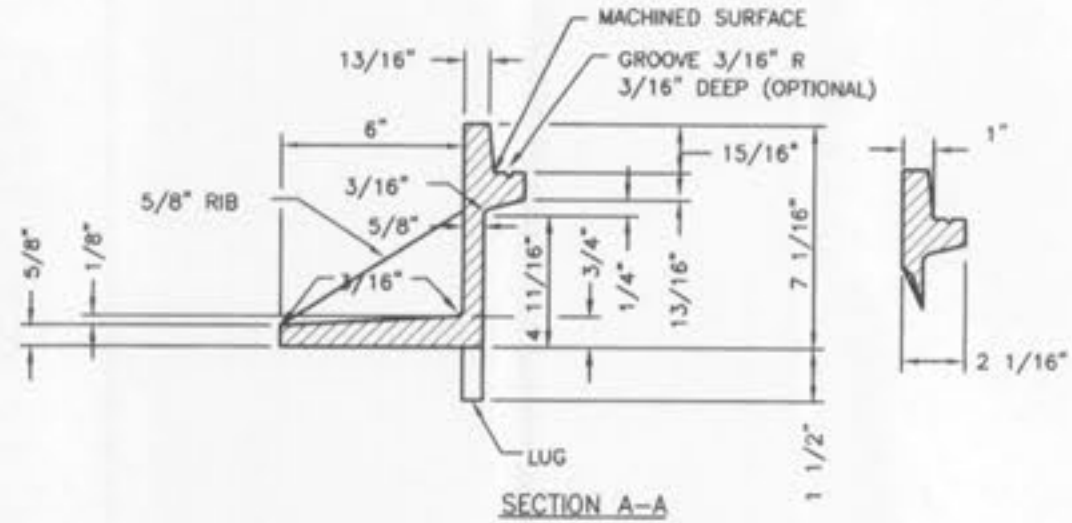
SEWER MANHOLES OVER 20' DEEP. THE TOP TWENTY (20') FEET WILL BE A SINGLE CAGE OF STEEL REINFORCEMENT AND ANY DEPTH OVER TWENTY (20') FEET SHALL BE A DOUBLE STEEL CAGE. WALL THICKNESS WILL NOT CHANGE FOR DEEP STRUCTURES.



MANHOLE BASE PLAN



CAST IRON MANHOLE FRAME



CAST IRON MANHOLE FRAME

STANDARD SANITARY DETAILS

CITY OF O'FALLON  
DEPARTMENT OF PUBLIC  
WORKS DESIGN GROUP  
O'FALLON, MISSOURI



DISCLAIMER OF RESPONSIBILITY I HEREBY ADVISE THAT THE DRAWINGS HEREON ARE PRELIMINARY AND NOT FOR CONSTRUCTION. ANY CHANGES OR MODIFICATIONS SHALL BE MADE BY THE ENGINEER OR ARCHITECT. THE USER SHALL BE RESPONSIBLE FOR OBTAINING ALL NECESSARY PERMITS AND FOR VERIFYING THE ACCURACY OF ALL INFORMATION AND DATA FURNISHED TO THE ENGINEER OR ARCHITECT.

DESIGNED: GDD  
CHECKED: \_\_\_\_\_  
DATE: \_\_\_\_\_  
PROJECT NO.: \_\_\_\_\_

SHEET  
OF

SANITARY DETAILS FOR  
CHRISTIAN BROTHERS  
AUTOMOTIVE

ST. CHARLES ENGINEERING & SURVEYING, INC.  
801 S. FIFTH STREET, SUITE 202  
ST. CHARLES, MO 63301  
TEL: (636) 947-0607 FAX: (636) 947-2448

S C S  
S E S



ORDER NO.  
08-0643-01  
DATE  
02-20-09

D-1