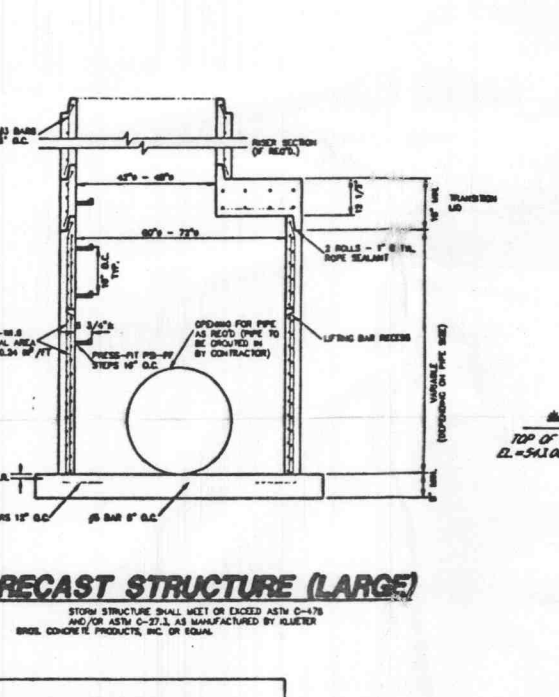
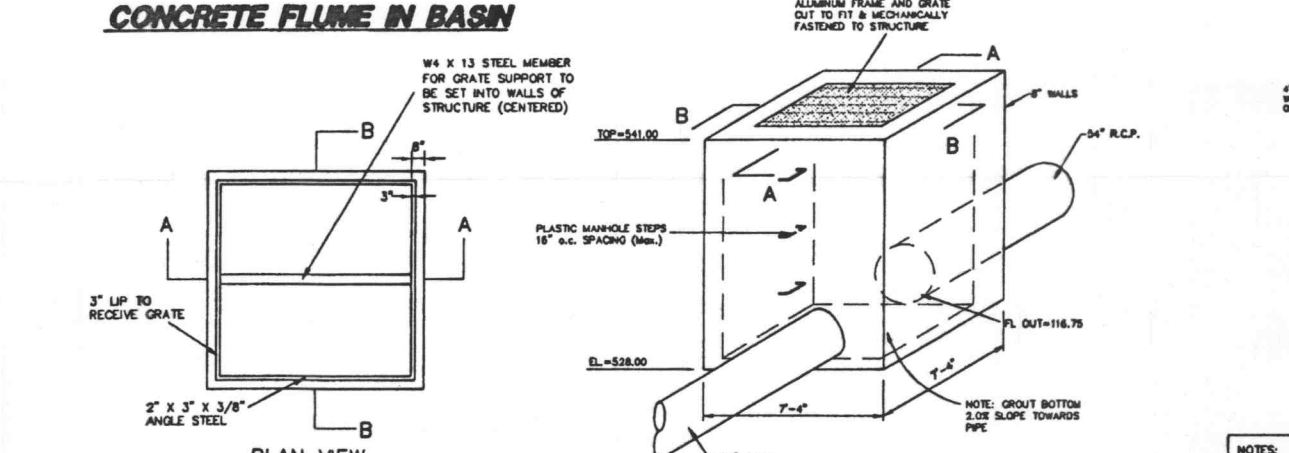
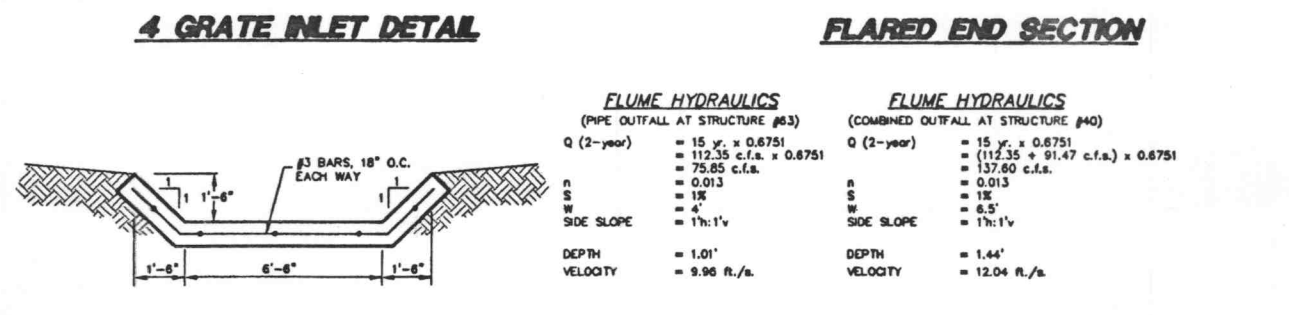
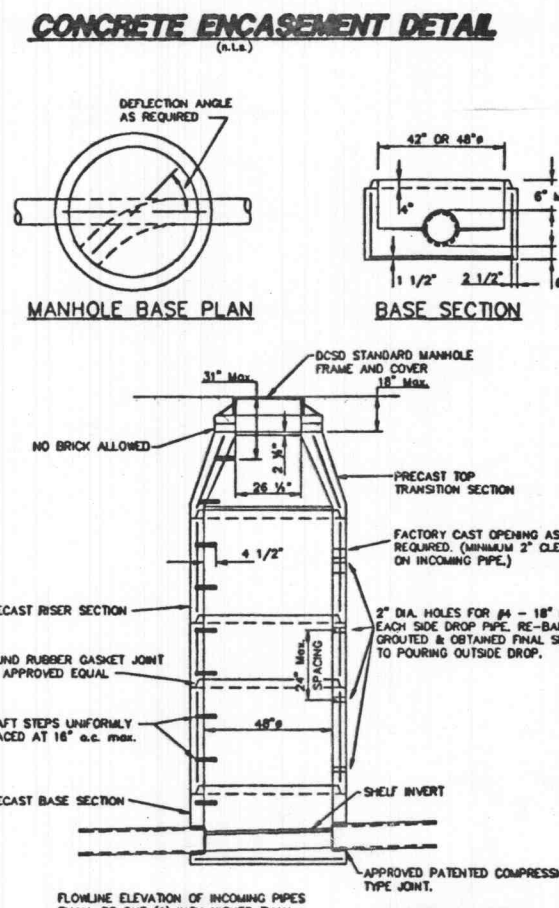
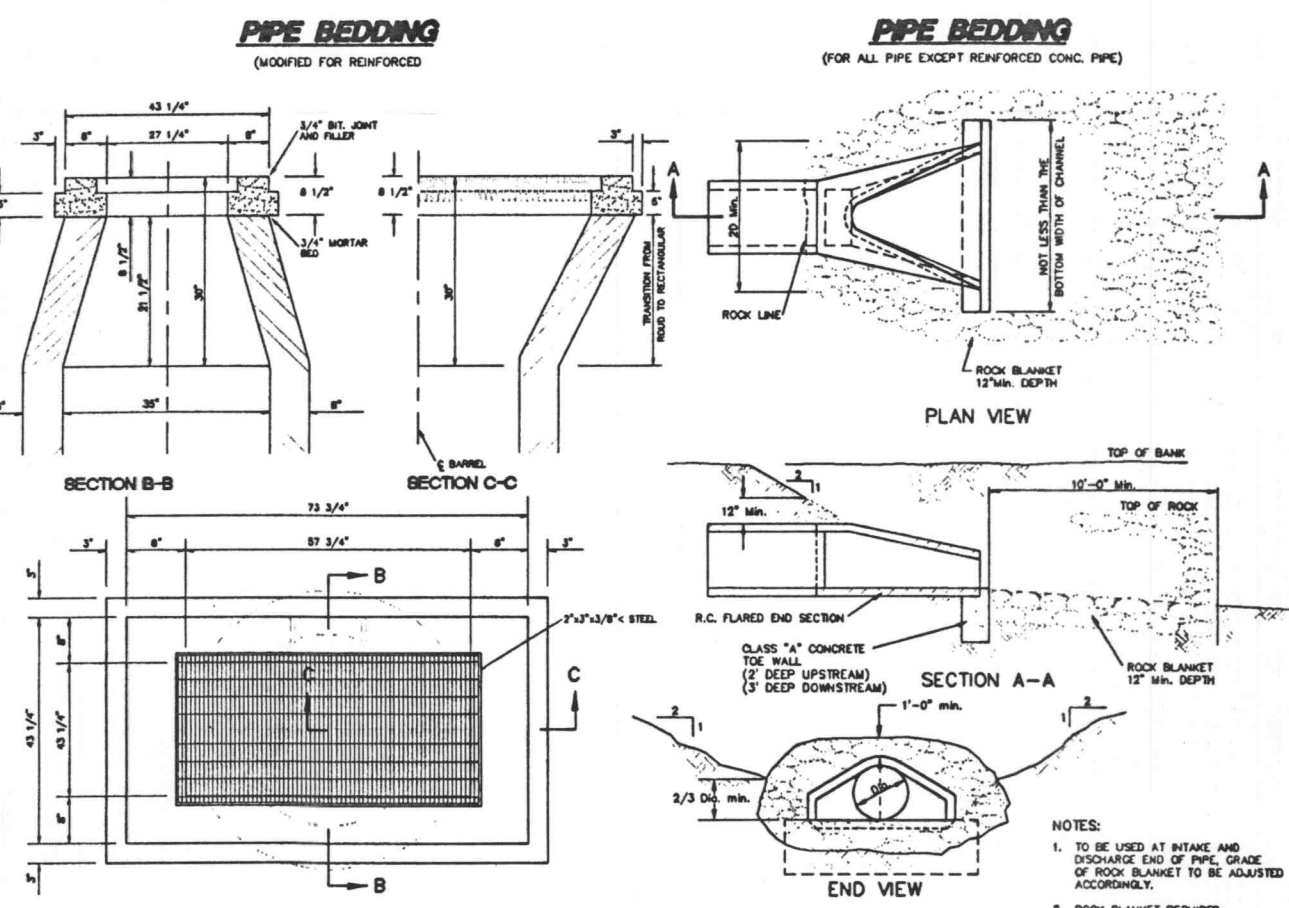
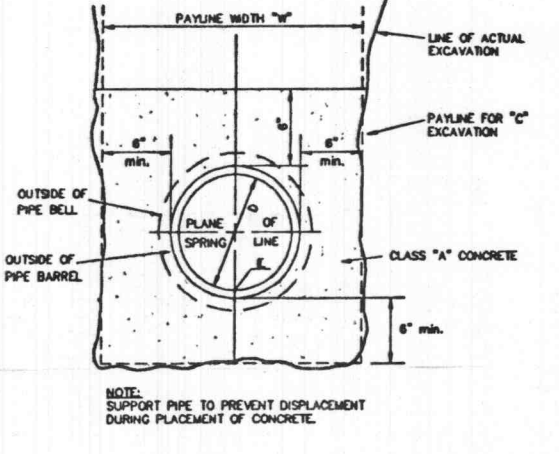
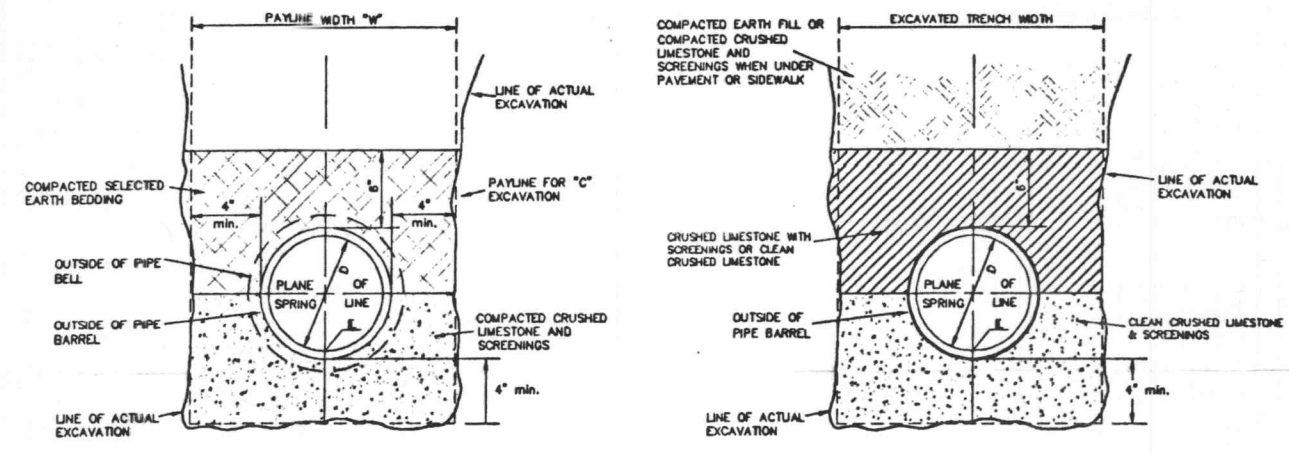


PIPE HYDRAULICS - PARTIAL FLOW CALCULATIONS

includes minor losses at drop structures
check for multiple branching lines for additional junction losses

partial flow

station	flow	reach	inlet	outlet	length	slope	pipe	drainage	coeff	flow	flow	velocity	head	Q x Vh	pipe	minor	structure	losses	upper	lower	sitting HGL	existing HGL	top of pipe	top of structure	backwater	roughness	pipe
61	50	50	50	50	100	0.0000	12	1	0.01	50	50	0.00	50.00	5000	12	0.00	0.00	0.00	50.00	50.00	50.00	50.00	50.00	50.00	0.00	0.00	0.00



check for multiple branching lines and

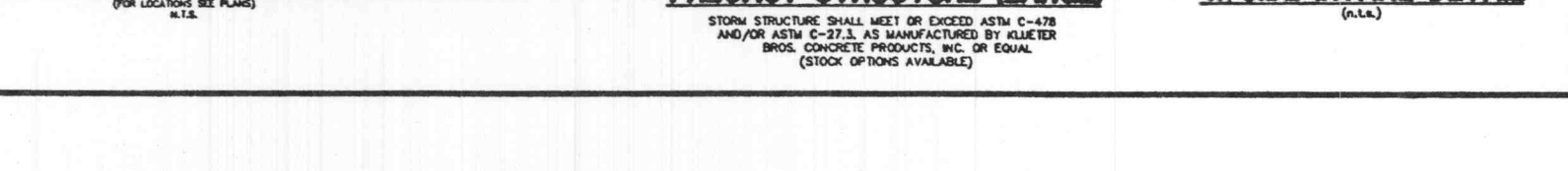
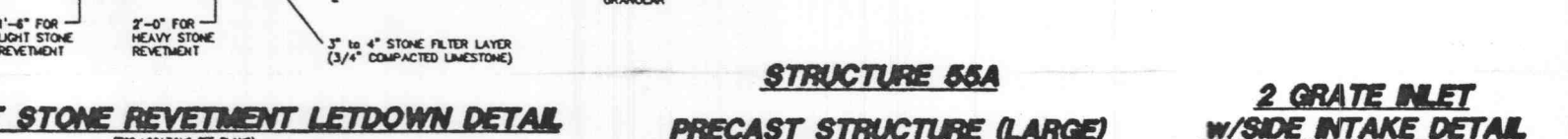
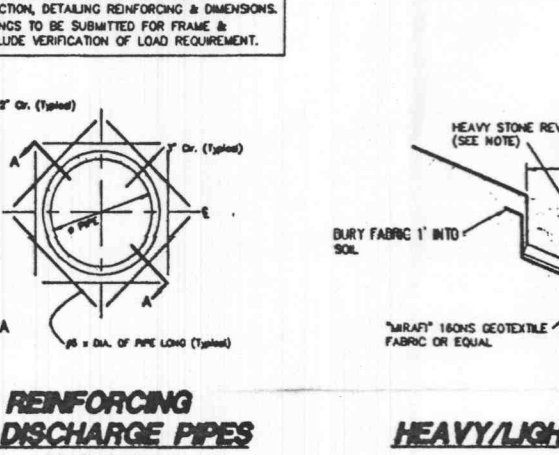
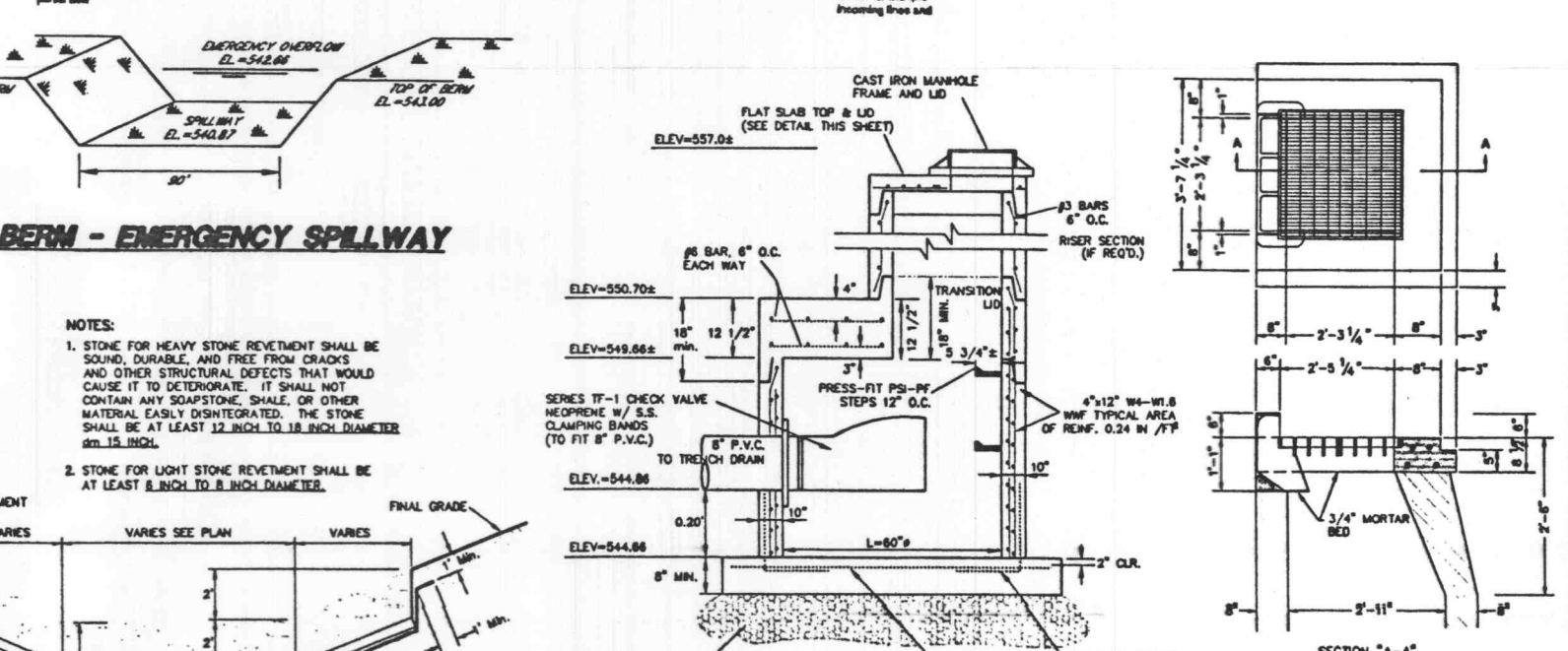
partial flow

station	flow	reach	inlet	outlet	length	slope	pipe	drainage	coeff	flow	flow	velocity	head	Q x Vh	pipe	minor	structure	losses	upper	lower	sitting HGL	existing HGL	top of pipe	top of structure	backwater	roughness	pipe
62	50	50	50	50	100	0.0000	12	1	0.01	50	50	0.00	50.00	5000	12	0.00	0.00	0.00	50.00	50.00	50.00	50.00	50.00	50.00	0.00	0.00	0.00

check for multiple branching lines and

partial flow

station	flow	reach	inlet	outlet	length	slope	pipe	drainage	coeff	flow	flow	velocity	head	Q x Vh	pipe	minor	structure	losses	upper	lower	sitting HGL	existing HGL	top of pipe	top of structure	backwater	roughness	pipe
63	50	50	50	50	100	0.0000	12	1	0.01	50	50	0.00	50.00	5000	12	0.00	0.00	0.00	50.00	50.00	50.00	50.00	50.00	50.00	0.00	0.00	0.00



STATE OF MISSOURI
GEORGE MICHAEL STOCK
 REGISTERED PROFESSIONAL ENGINEER
 No. 25176
 PROFESSIONAL ENGINEERS
 CONSULTANTS & ARCHITECTS, INC.
 425 NORTH NEW BALLAS ROAD
 SUITE 100
 ST. LOUIS, MO. 63141
 Ph. (314) 432-8100
 FAX (314) 432-8171
 e-mail: general@stockinc.com

Forum Studio
 Structural Engineer
Alper Audi
 P.E. Professional Engineer
 Plumbing Engineer
 Mechanical Engineer
 Electrical Engineer

CLAYCO
 CLAYCO CONSTRUCTION COMPANY
 2190 Inwood Business Center Dr.
 St. Louis, MO 63114
 Ph. 314.429.5100 Fx 314.429.3165

TRISTAR
 TRISTAR BUSINESS COMMUNITIES
 13397 Lakesford Drive
 St. Louis, MO 63045
 Ph 314.291.0814

citymortgage
 Progress Point of Fallon, Mo

DRAWING ISSUE / REVISION

No.	Description	Date
1	PROGRESS SET 1	01-07-02
2	F2H BID/PERMIT PWD (INFORMATION ONLY)	01-18-02
3	ISSUE	01-31-02
4	PROGRESS SET 3	03-15-02
5	CITY COMMENTS	04-18-02
6	CITY COMMENTS	04-25-02

The Professional Engineer seal affixed to this sheet indicates that the named Engineer has prepared or directed the preparation of the material shown only on this sheet. Other drawings and documents not exhibiting this seal shall not be considered prepared by or the responsibility of the undersigned.

Storm Sewer Details
 AND
 HYDRAULIC CALCULATIONS
C8

Scale: 1"=40'
 Date: P.S.B. Check by: C.M.S.
 Drawn by: 1-101-021
 Date: 200-2-198-1