

A TRACT OF LAND BEING PART OF SECTION 21, TOWNSHIP 47 NORTH, RANGE 3 EAST, OF THE FIFTH PRINCIPAL MERIDIAN, ST. CHARLES COUNTY, MISSOURI

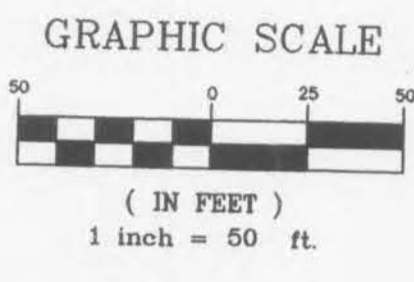
LEGEND

(R) DENOTES RECORD DIMENSION
(S) DENOTES SURVEY DIMENSION

- SIGN
- GAS VALVE
- WATER SHUT OFF VALVE
- FIRE HYDRANT
- TELEPHONE BOX
- WATER METER
- UTILITY POLE
- GUY WIRE
- OVERHEAD WIRES
- FENCE
- RCP — REINFORCED CONCRETE PIPE
- PVC — POLY VINYL CHLORIDE (PLASTIC)
- CONCRETE
- REFERENCE POINT
- MATCH EXISTING
- NEW BASE AND WEARING SURFACE
- OVERLAY EXISTING ASPHALT INCLUDED, WEDGE LAYER AS REQUIRED

CURVE DATA

1	12.5'
2	2.50'
3	15.0'
4	25.0'
5	51.0'
6	47.0'
7	9.0'
8	58.0'
9	38.0'
10	18.0'



MAIN STREET STA: 1+66
HWY "M" STA: 48+34

NO012'39"E

S89°58'37"E

S89°39'50"W

N0012'39"E

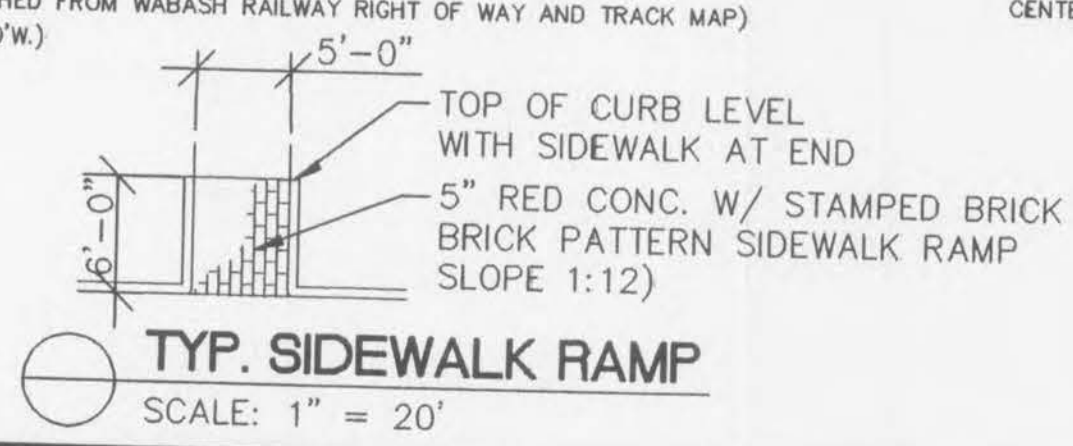
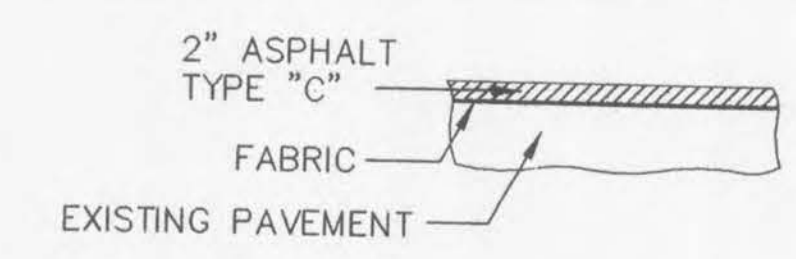
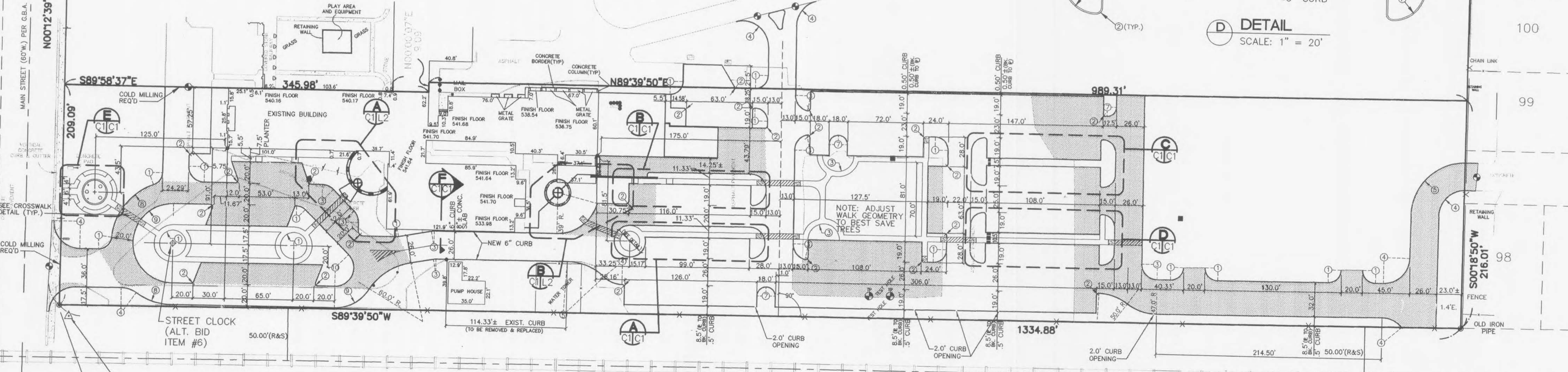
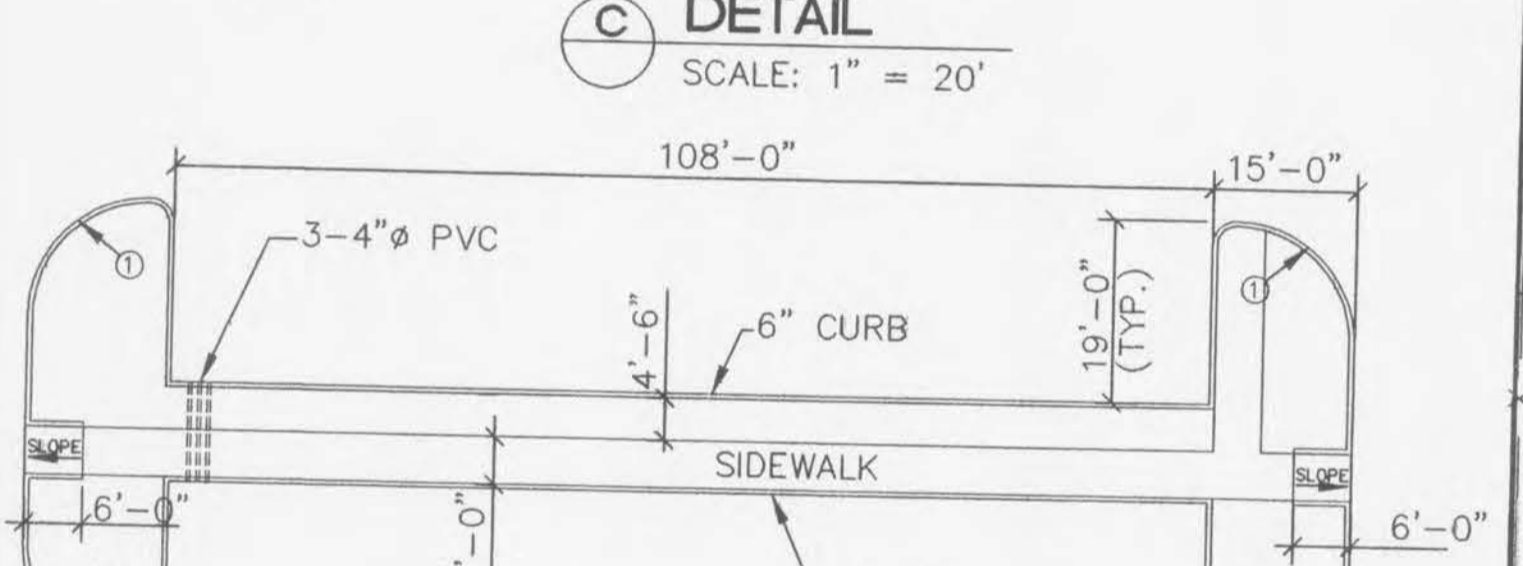
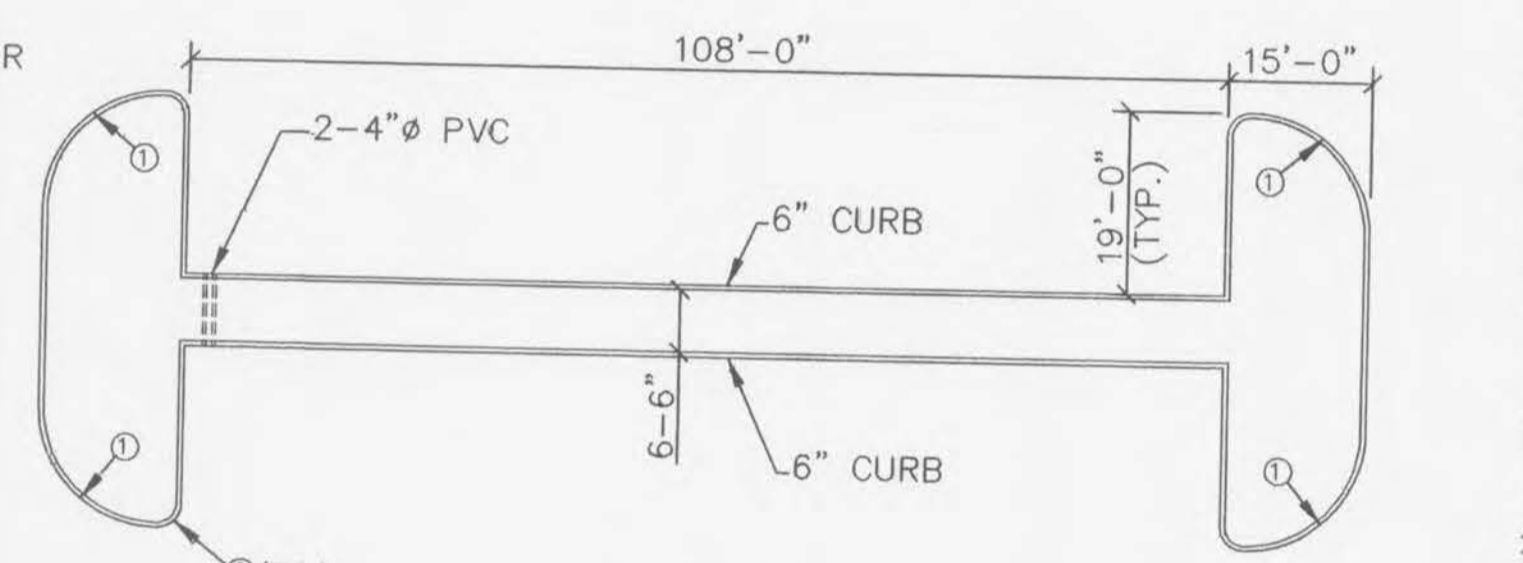
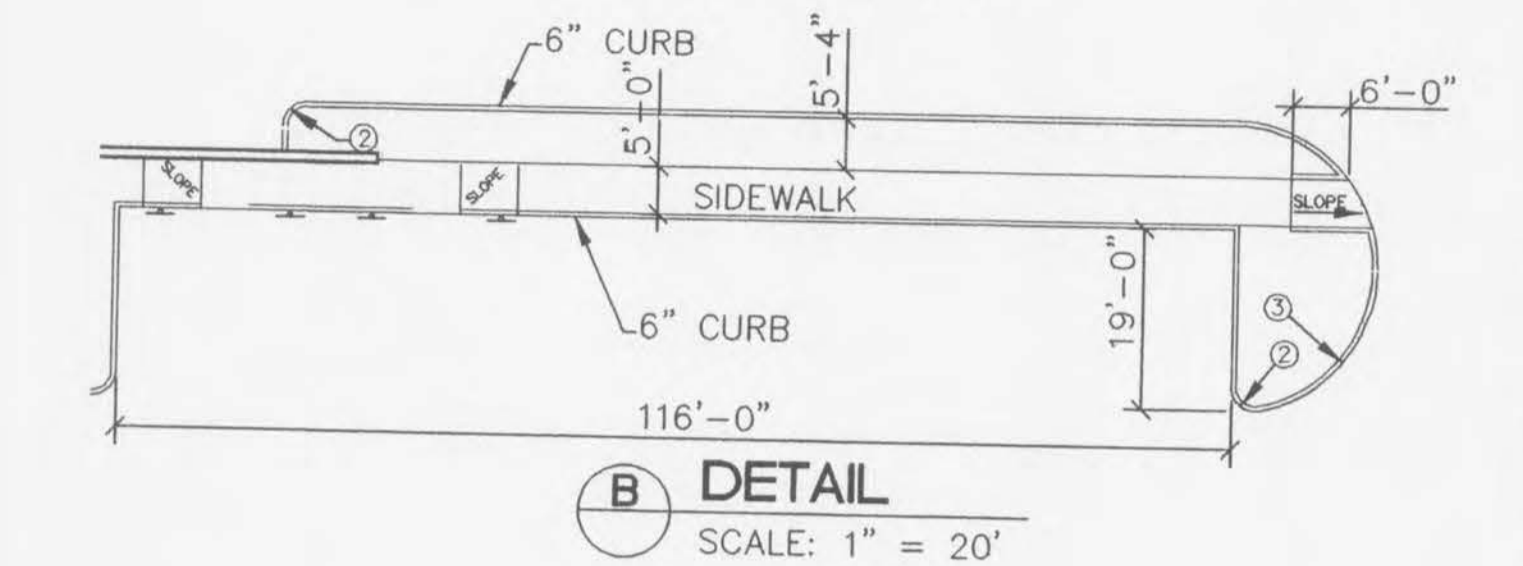
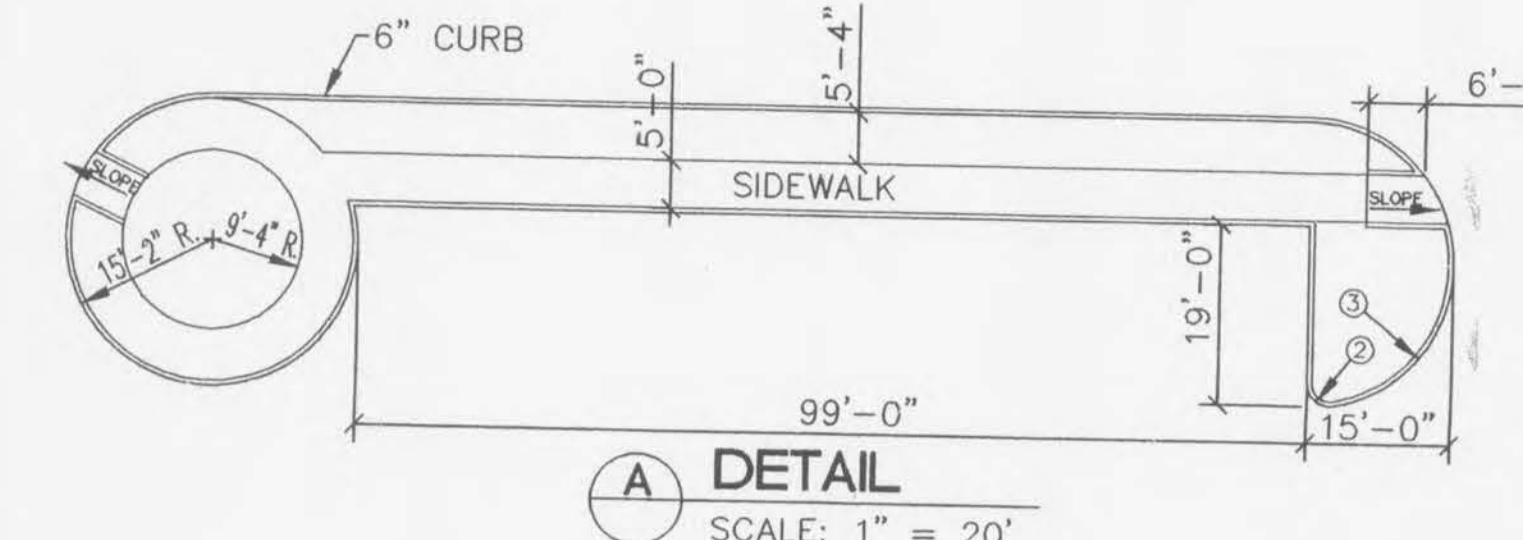
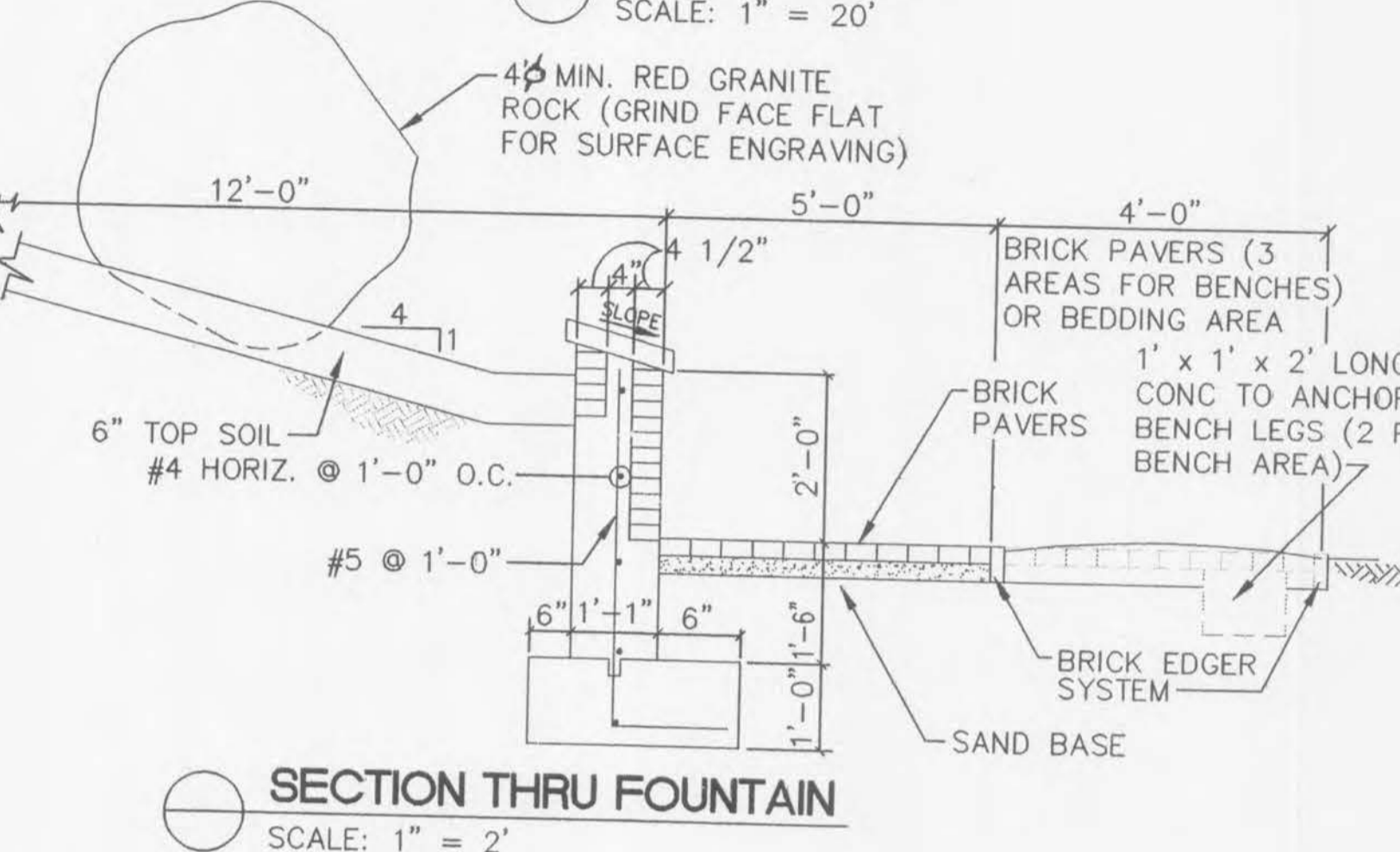
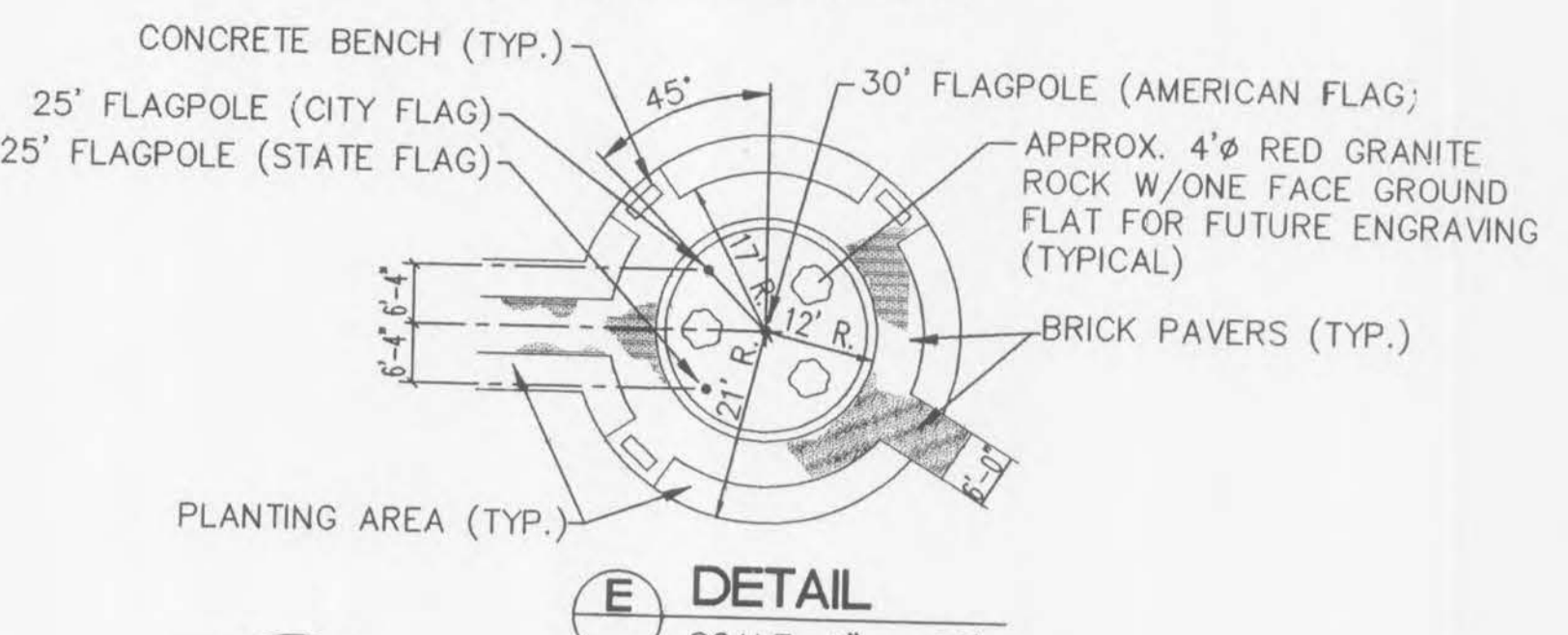
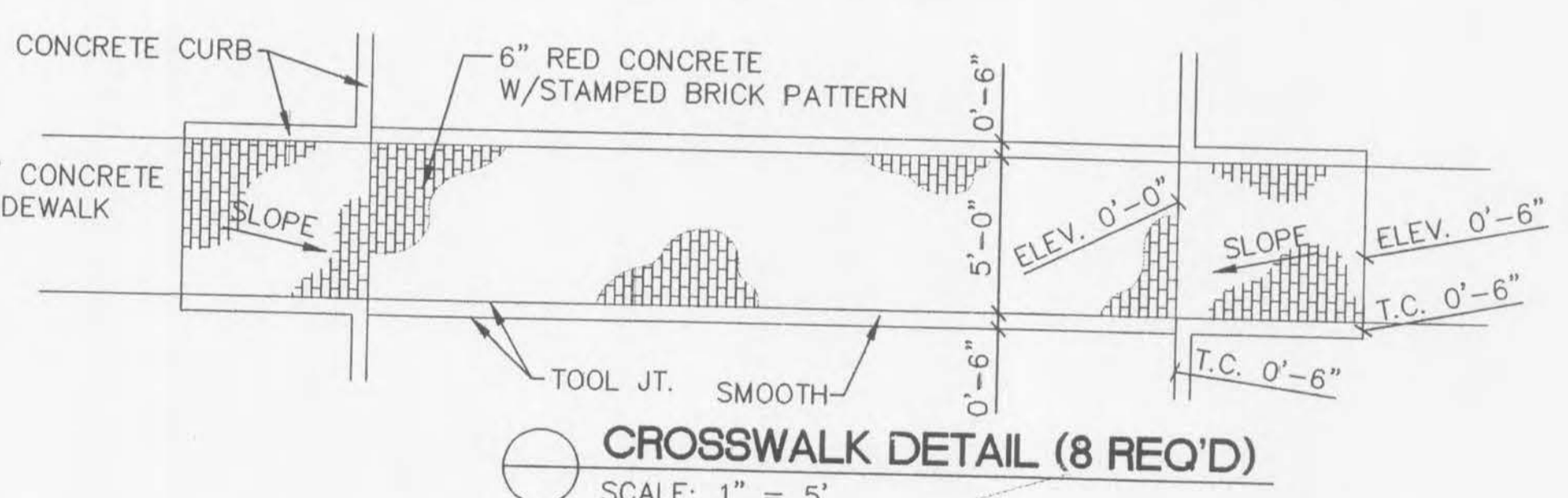
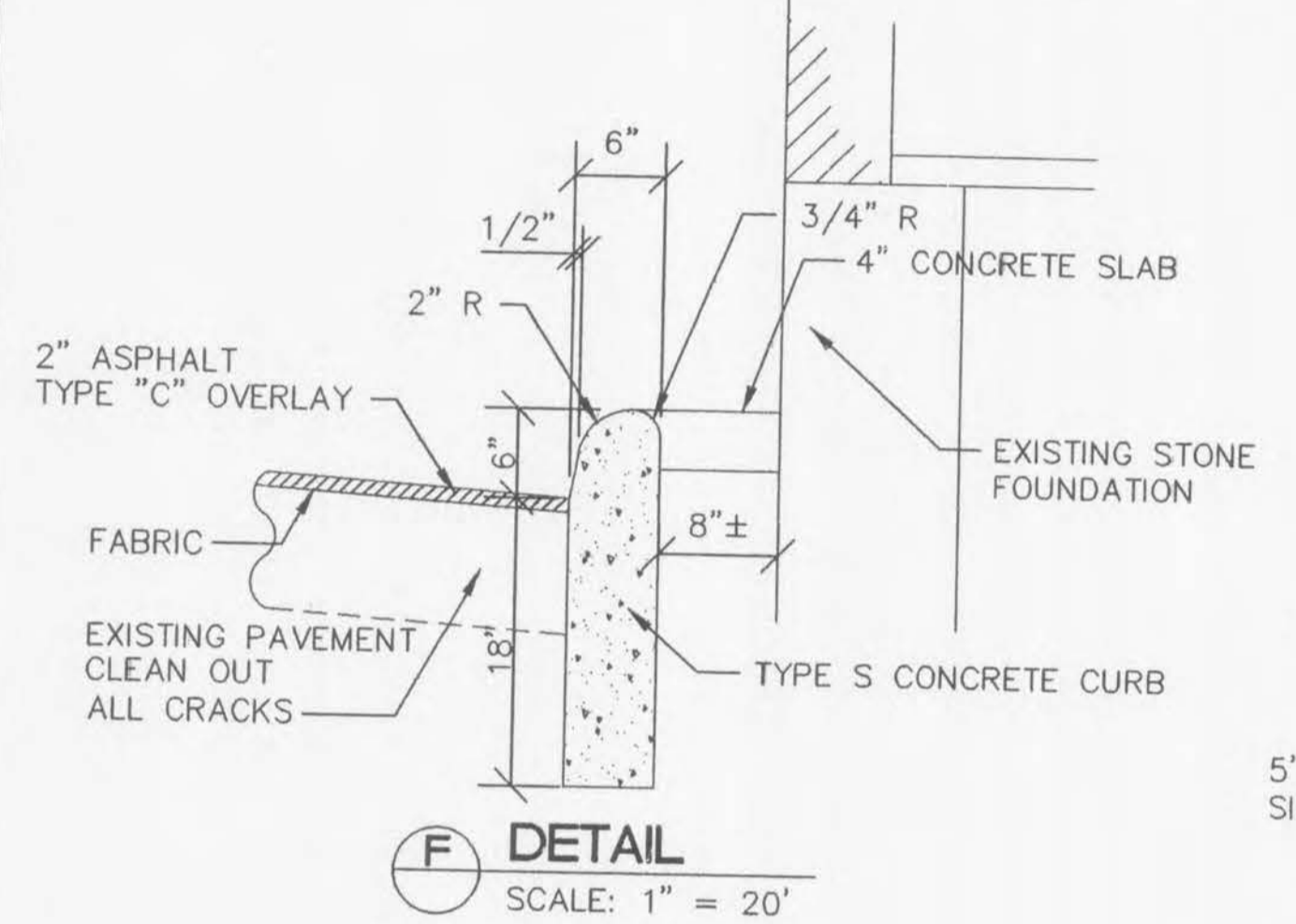
S89°39'50"W

S89°39'50"W

S89°39'50"W

S89°39'50"W

S89°39'50"W



1. THE UNDERGROUND UTILITIES SHOWN HEREON WERE PLOTTED FROM BASE MAPS SUPPLIED TO BAX FROM THE RESPECTIVE UTILITY COMPANIES SERVING THIS SITE AND SHOULD BE VERIFIED BEFORE ANY DESIGN OR CONSTRUCTION BEGINS.

BID ISSUE

CRD Campbell, Inc.
Engineers Architects Planners

One Campbell Plaza 59th & Arsenal St. Louis, MO 63139 314/761-2004

Professional Engineer Seal for Kenneth E. Chandler, No. E-11032.

City of O'Fallon
138 South Main Street
O'Fallon, Missouri 63366

NEW CITY HALL COMPLEX

PAVING LAYOUT

CONSTRUCTION DOCUMENTS

Revisions

CONSTRUCTION ISSUE	DECEMBER 5, 1997

Project No.	96036
Date	4 SEPT 97
Designed	
Drawn	
Drawing No.	C-1