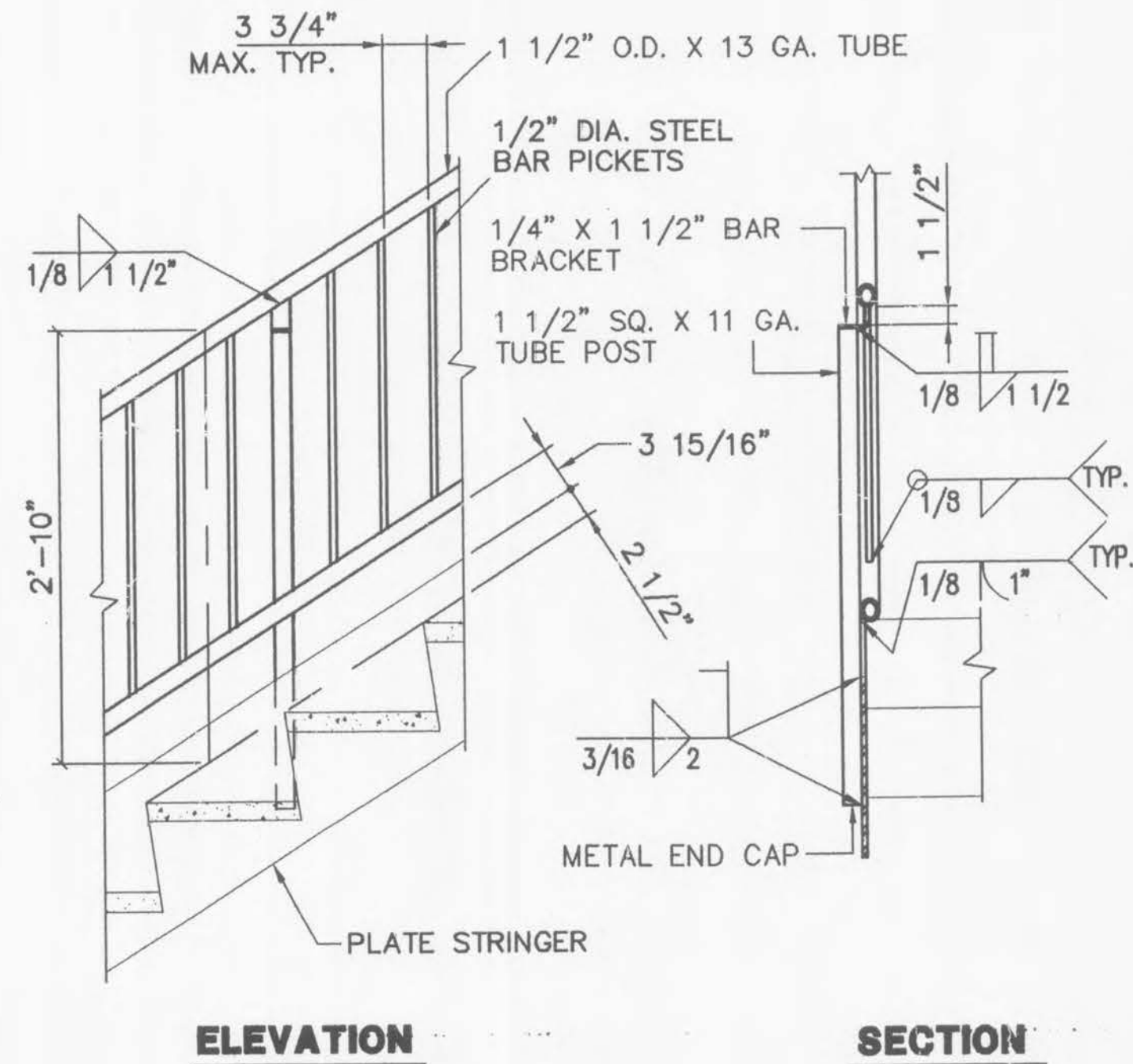
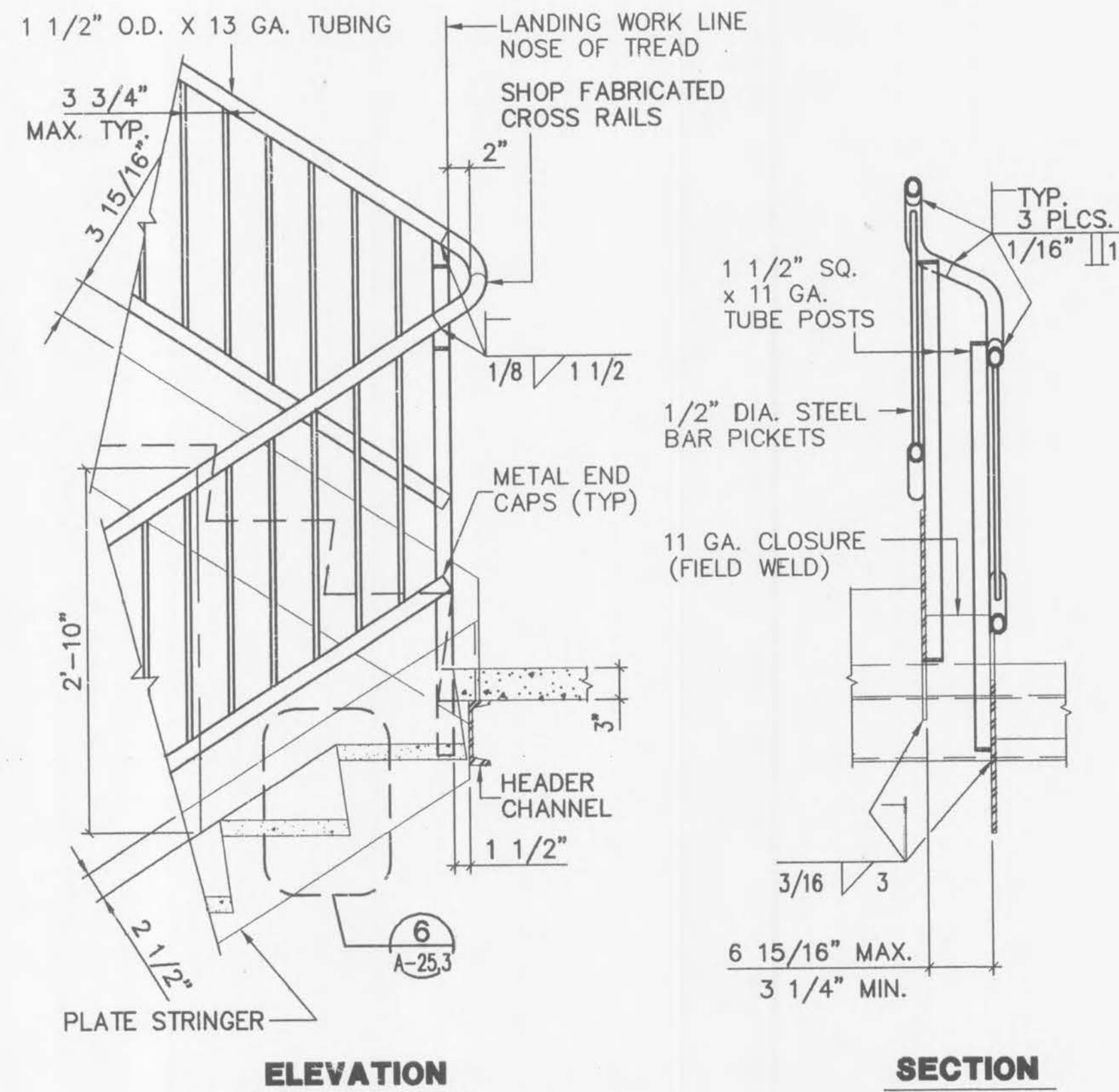


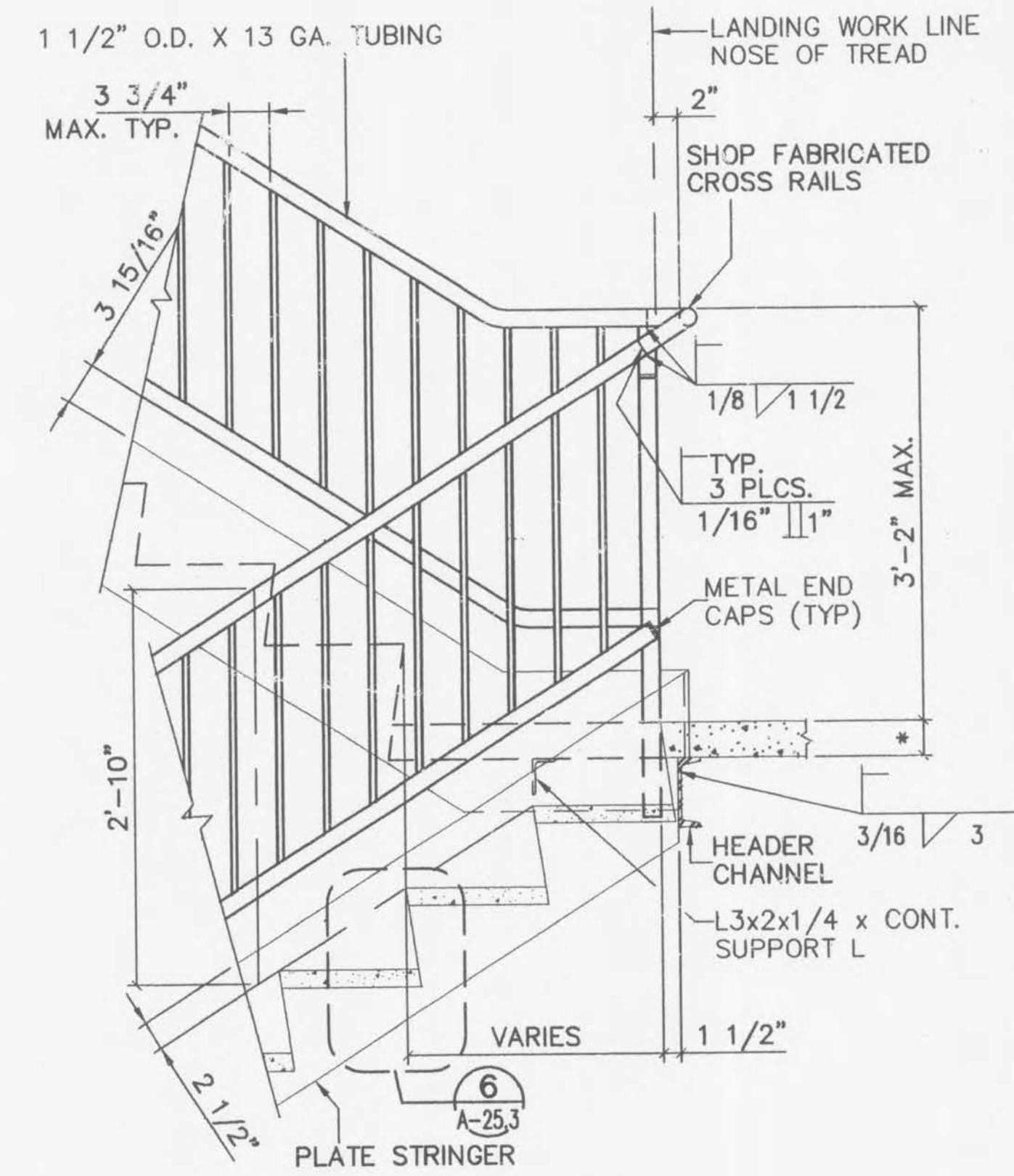
1 STARTER HANDRAIL DETAIL  
SCALE: 1" = 1'-0"



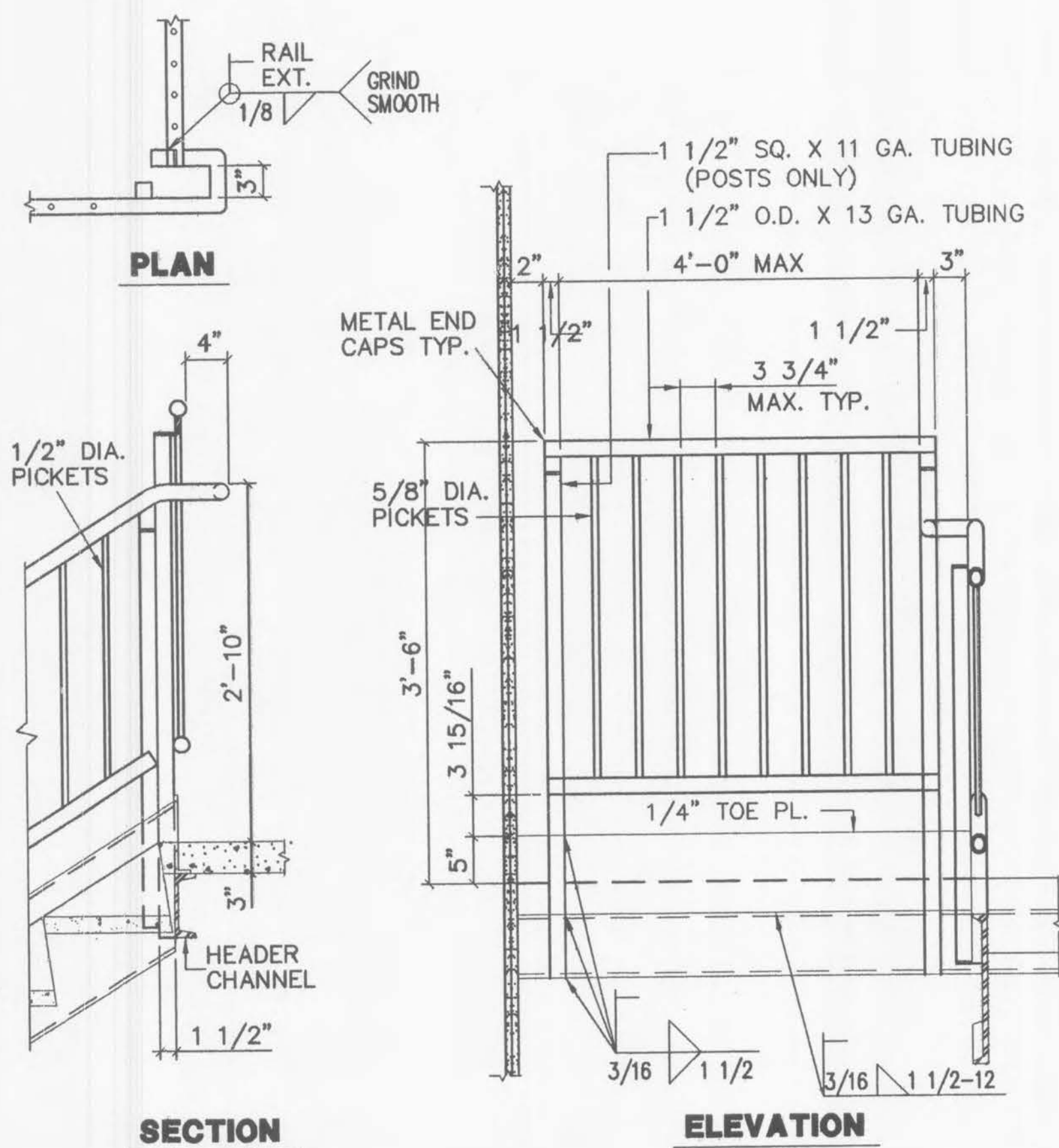
2 INTERMEDIATE SUPPORT DETAIL  
SCALE: 1" = 1'-0"



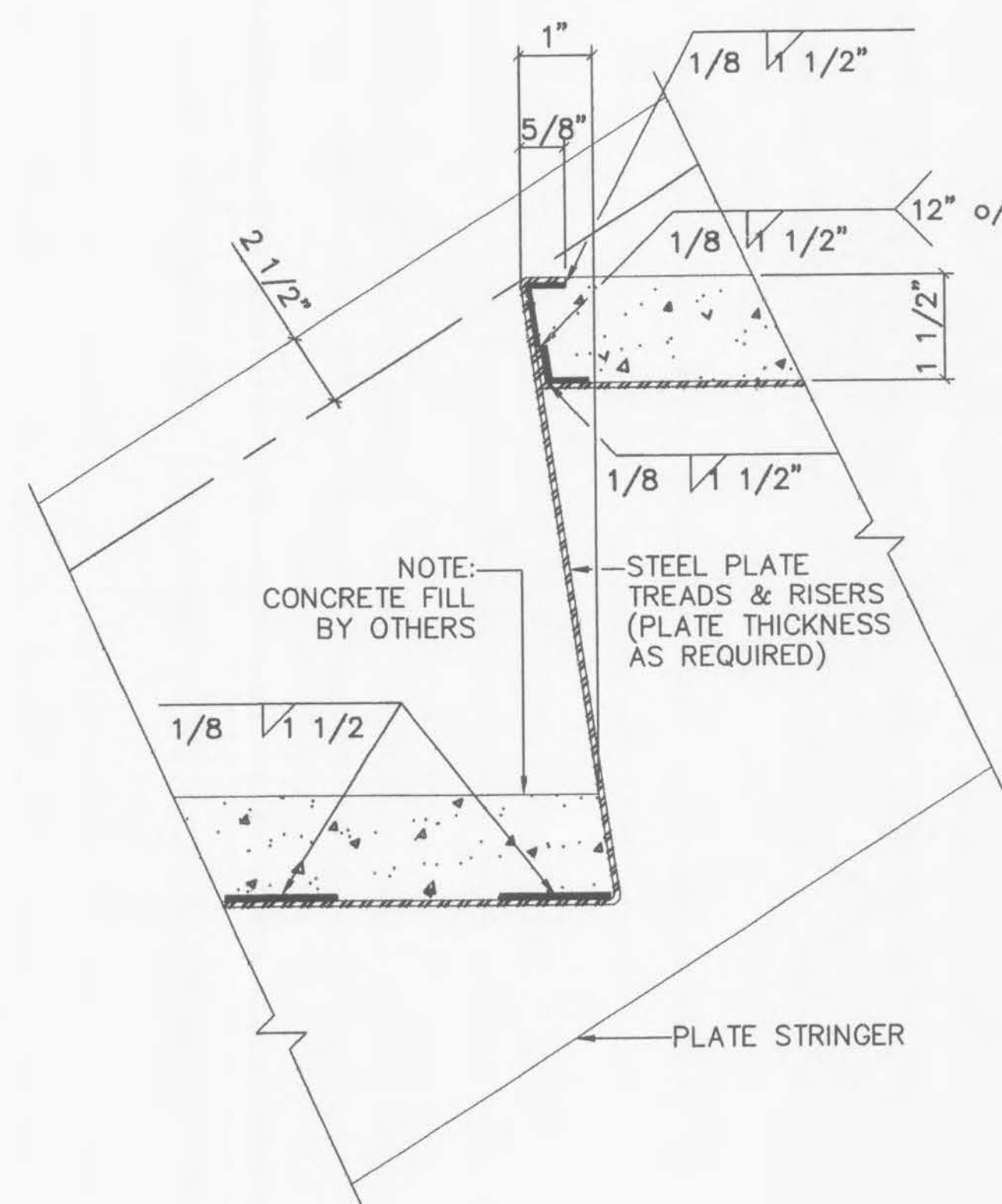
3 HANDRAIL DETAIL - LANDING  
SCALE: 1" = 1'-0"



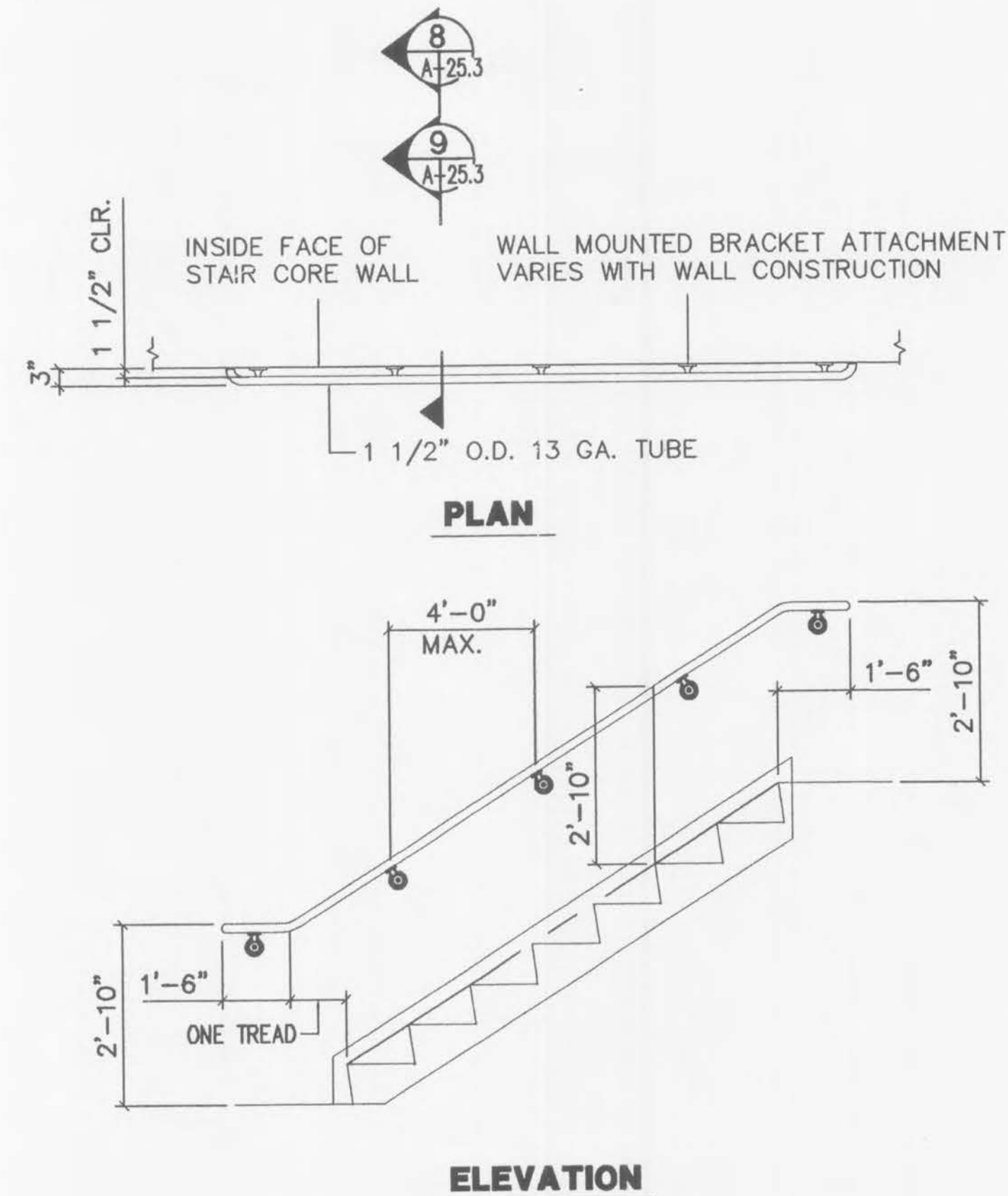
4 HANDRAIL DETAIL - UNEQUAL STAIR RUNS  
SCALE: 1" = 1'-0"



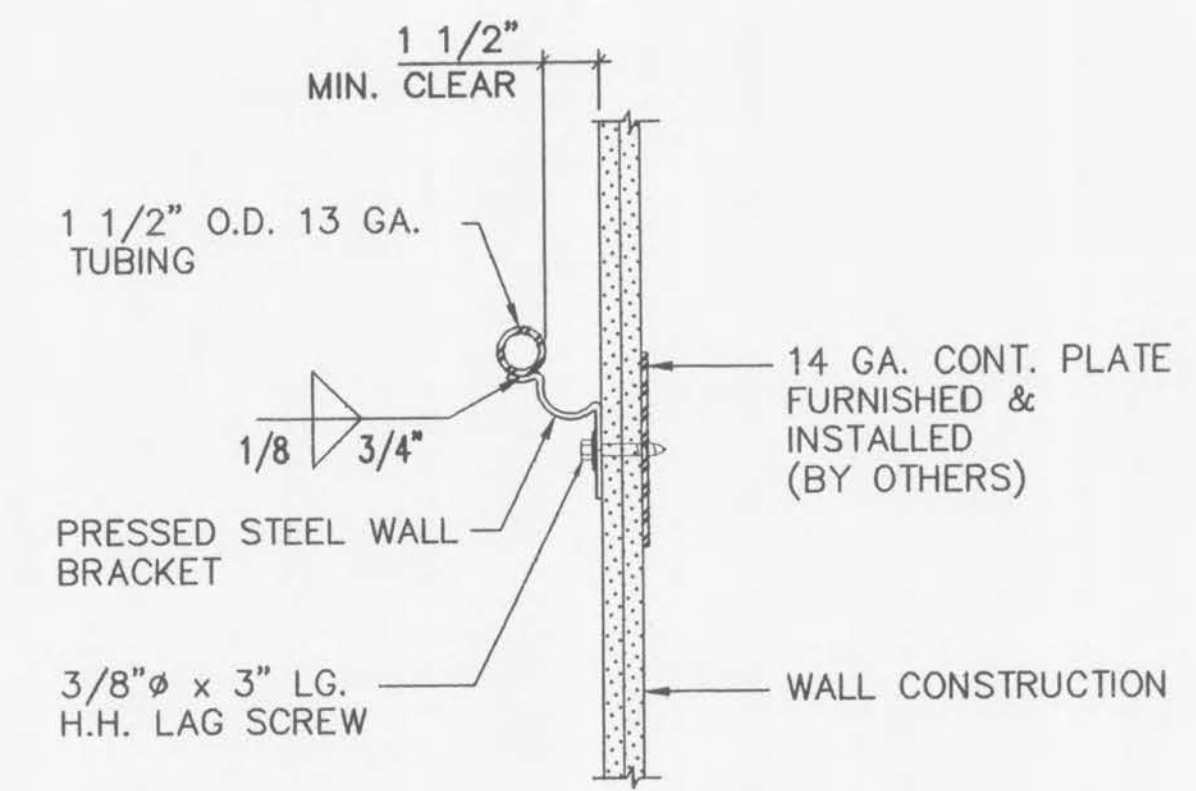
5 HANDRAIL/GUARDRAIL DETAIL  
SCALE: 1" = 1'-0"



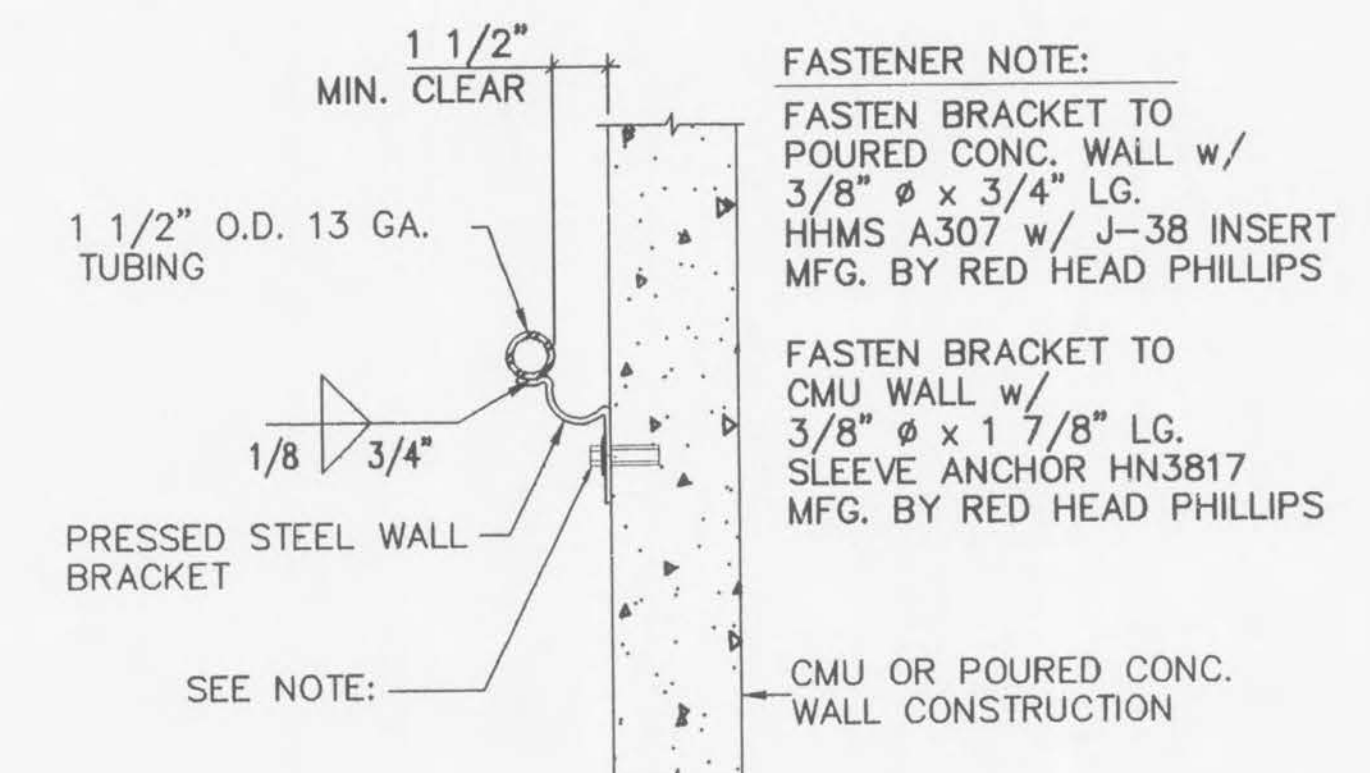
6 TYPICAL TREAD DETAIL  
SCALE: 1" = 1'-0"



7 TYPICAL WALL HANDRAIL  
SCALE: 1/2" = 1'-0"



8 WALL BRACKET CONNECTION  
SCALE: N.T.S.



9 WALL BRACKET CONNECTION  
SCALE: N.T.S.