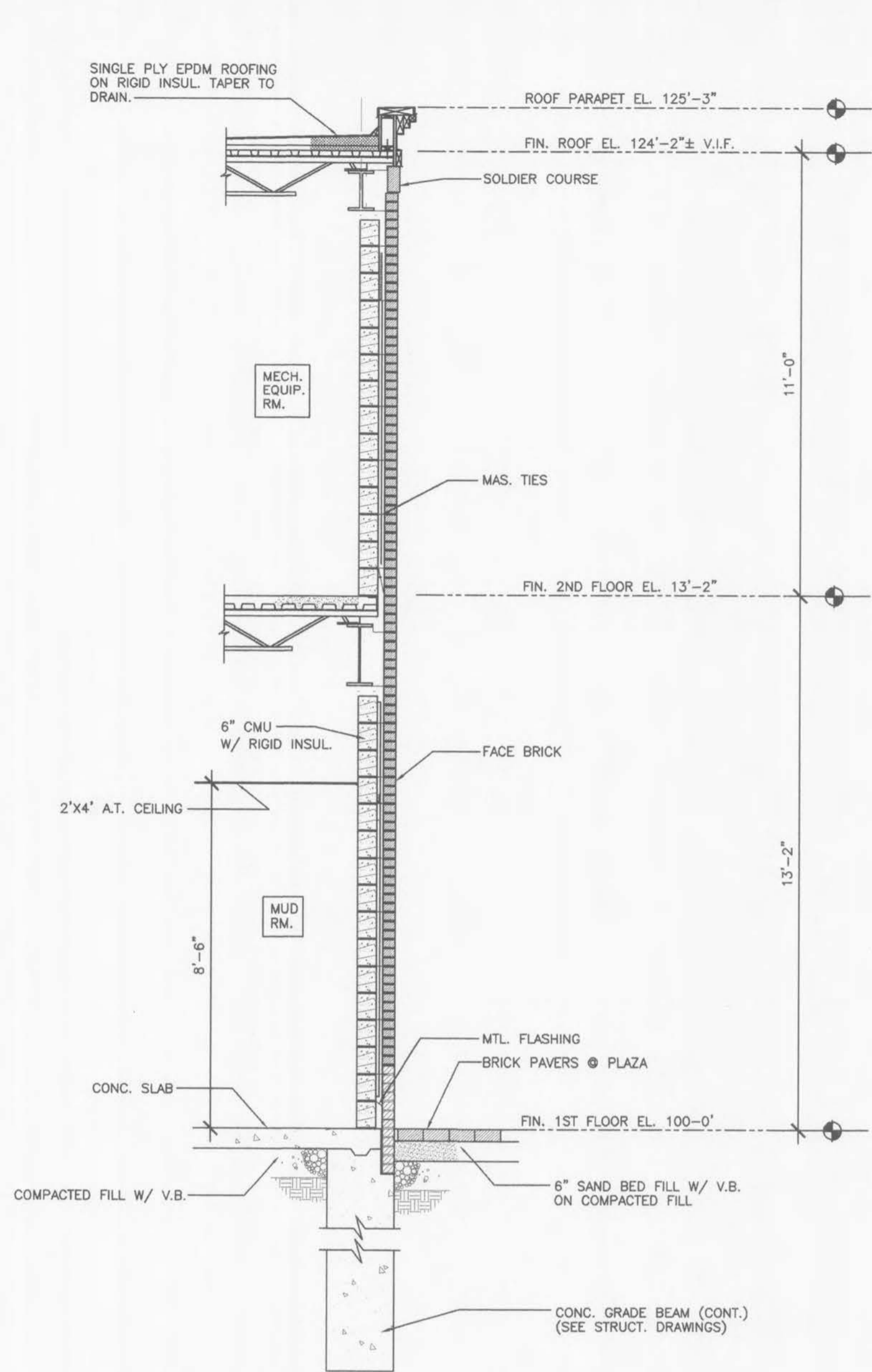
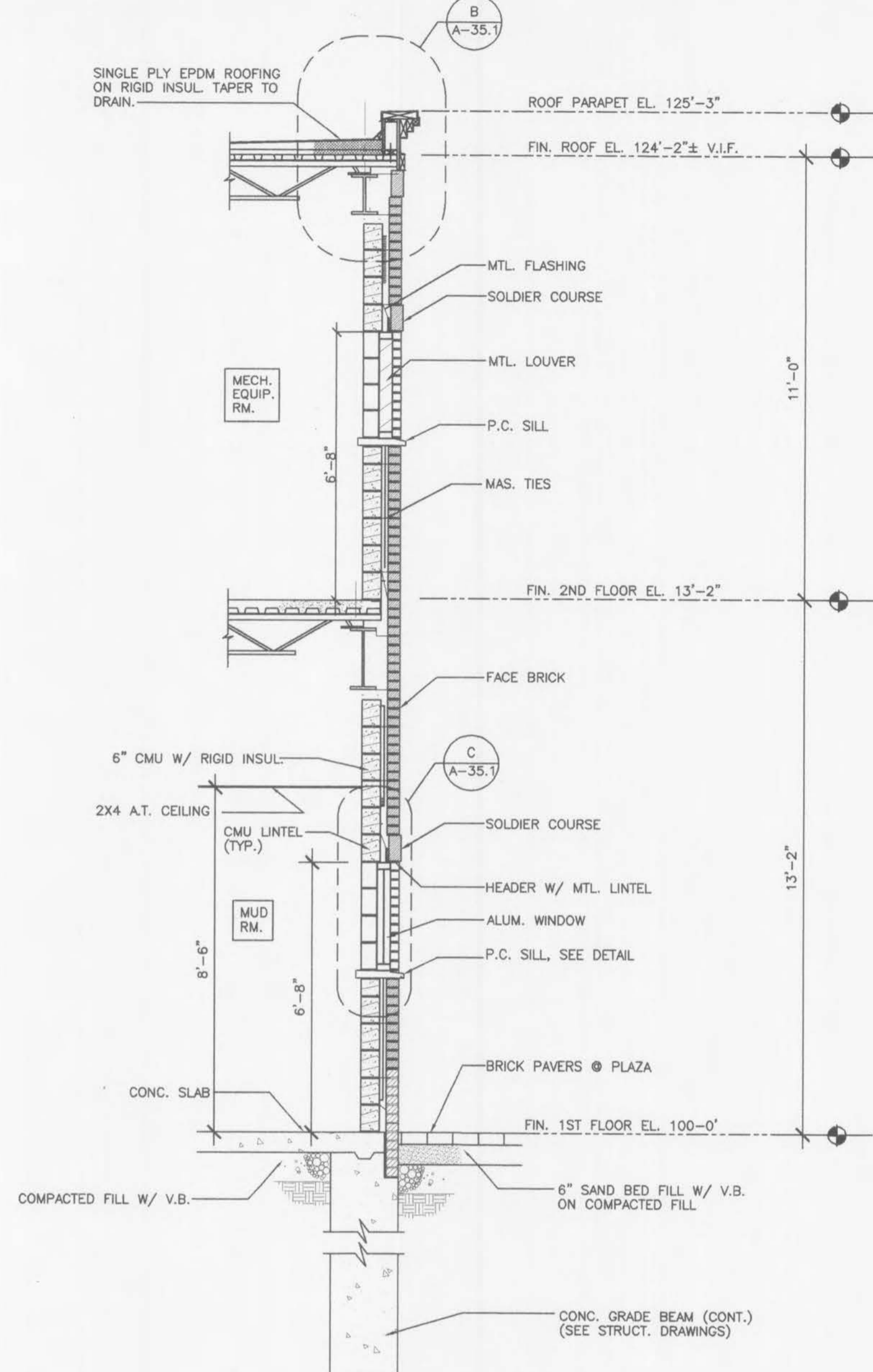


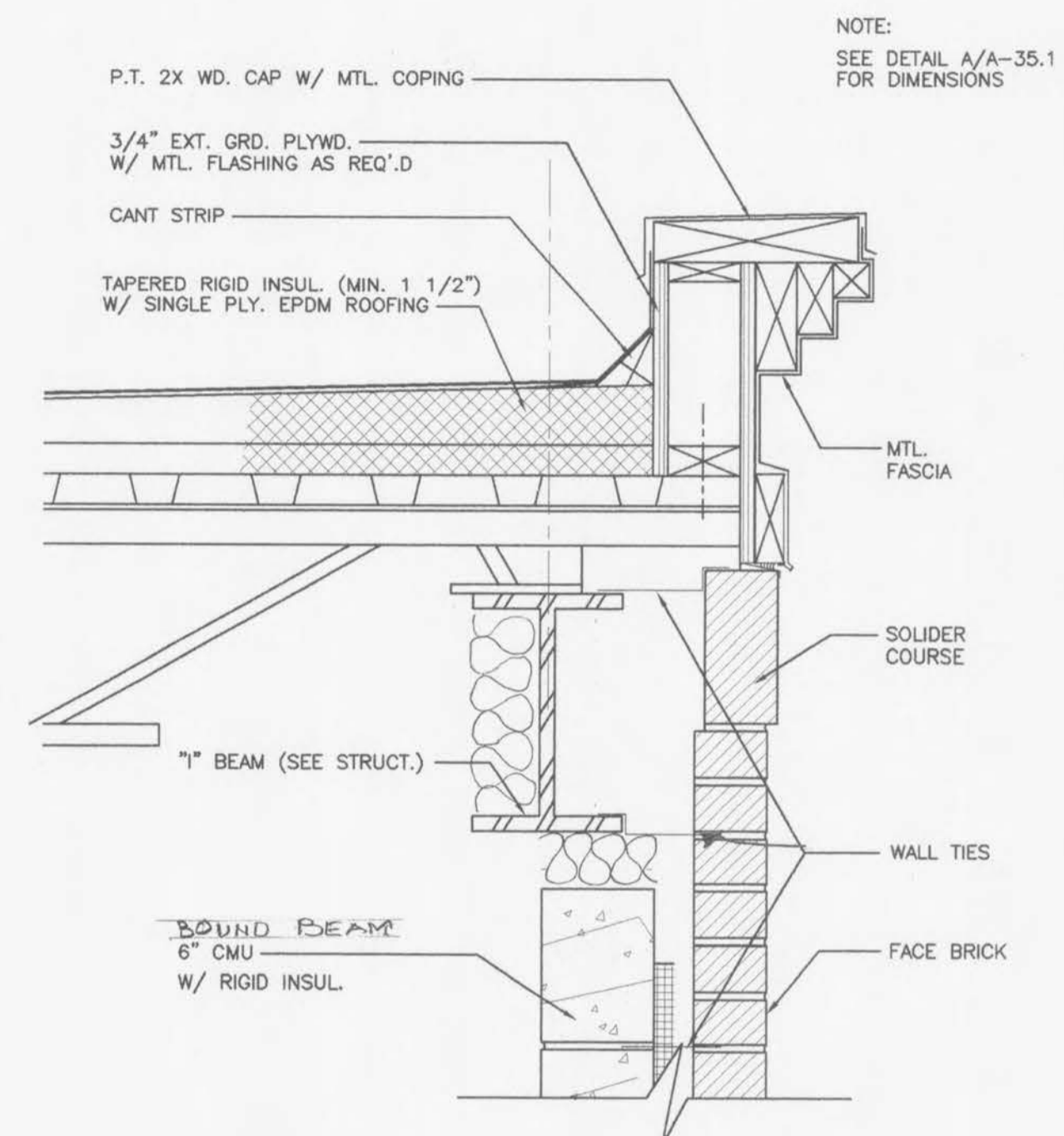
1 WALL SECTION • EAST LOBBY
 A35.1 SCALE: 3/8"=1'-0"



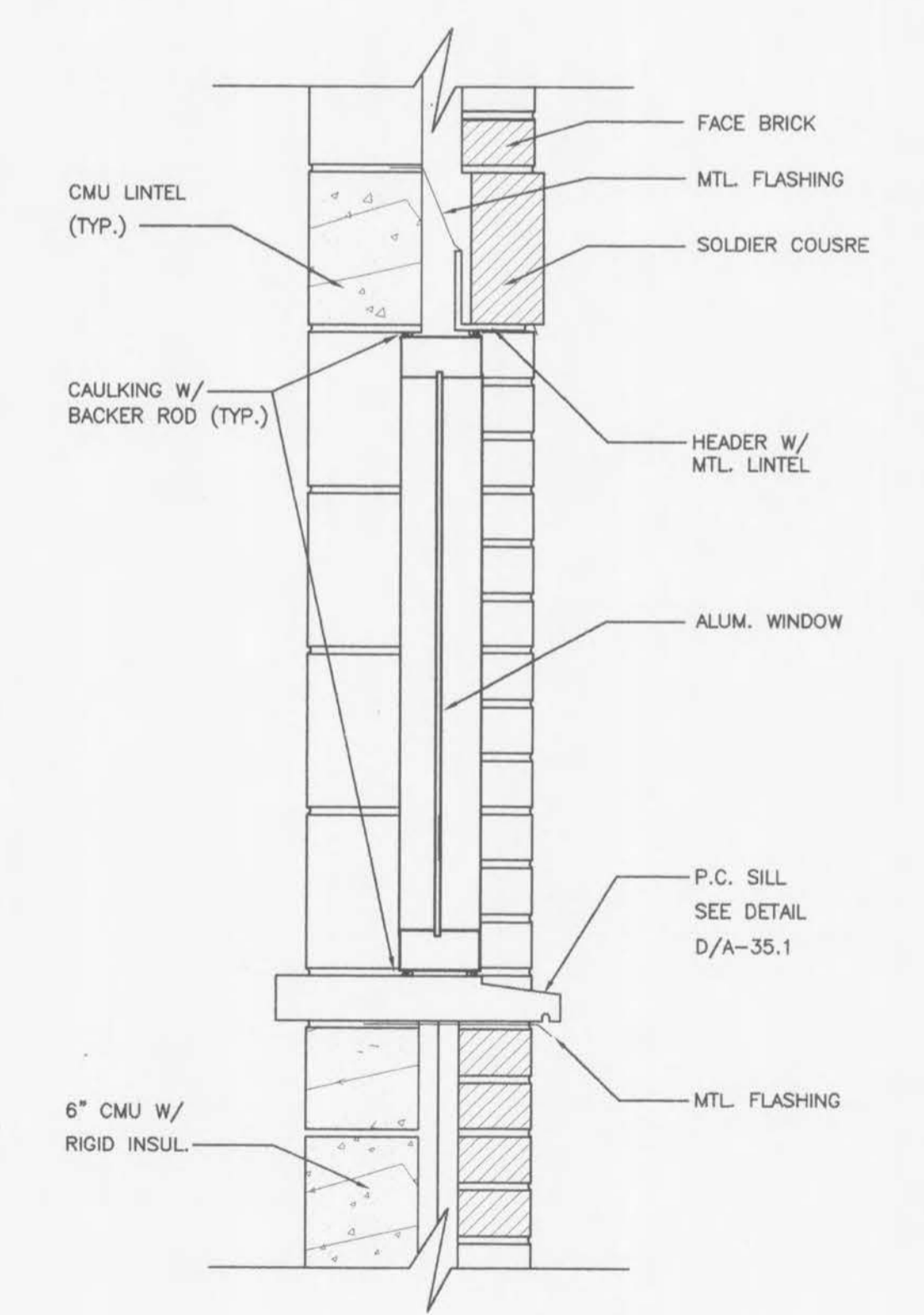
2 WALL SECTION
 A35.1 SCALE: 3/8"=1'-0"



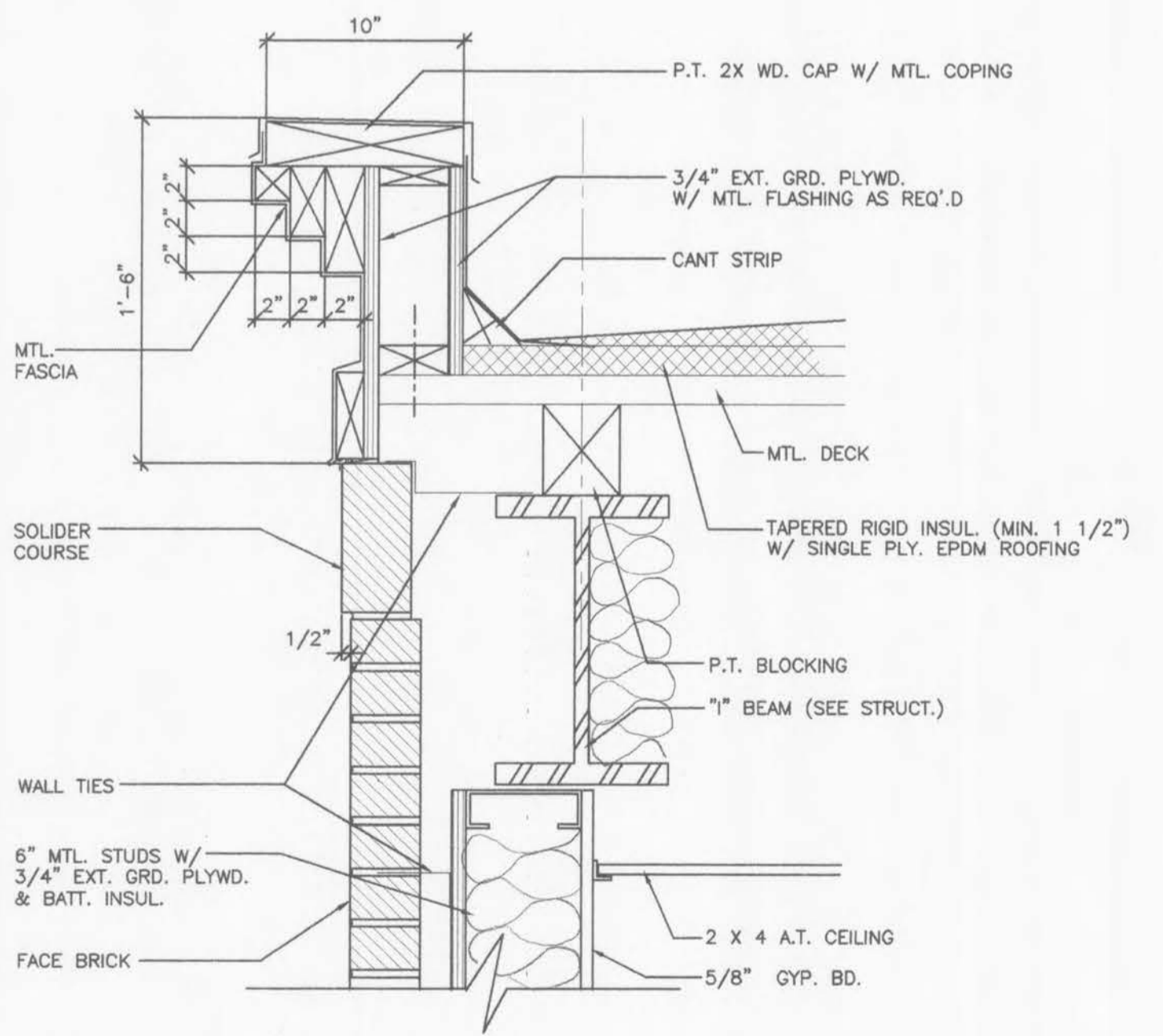
3 WALL SECTION
 A35.1 SCALE: 3/8"=1'-0"



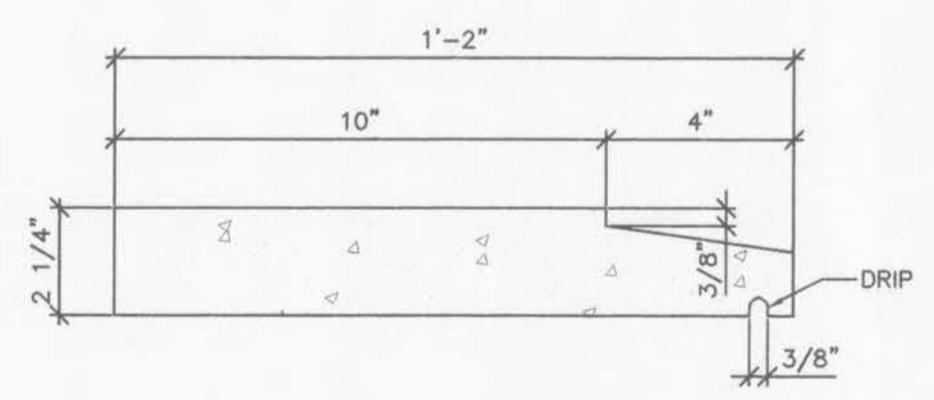
B DETAIL • PARAPET (TYP.)
 A35.1 SCALE: 1 1/2"=1'-0"



C TYP. DETAIL • ALUM. WINDOW
 A35.1 SCALE: 1 1/2"=1'-0"



A DETAIL • PARAPET (EAST ENTRANCE)
 A35.1 SCALE: 1 1/2"=1'-0"



D P.C. SILL DETAIL
 A35.1 SCALE: 3"=1'-0"